

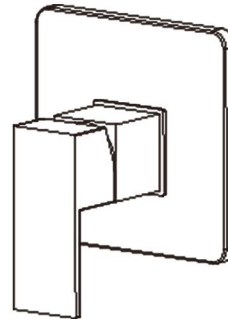
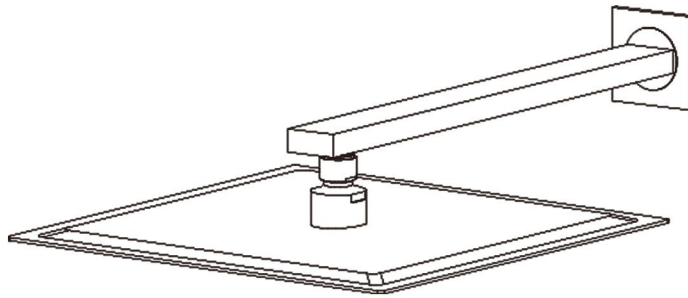
TAPLONG User's Manual

SANITARY WARE



INSTALLATION INSTRUCTIONS

Installation Manual



IAPMO RESEARCH AND TESTING, INC.

5001 East Philadelphia Street, Ontario, California 91761-2816 • (909) 472-4100 Fax (909) 472-4244 • www.iapmo.org



CERTIFICATE OF LISTING

IAPMO Research and Testing, Inc. is a product certification body which tests and reports compliance with the supplier's claim on the market or a combination of both to verify compliance with the requirements of applicable codes and standards. This activity is subject to periodic surveillance of the supplier's factory and manufacturing as well as the assessment of the supplier's Quality Assurance System. This listing is subject to the conditions set forth in the Characteristics table and shall not be construed as any recommendation, assurance or guarantee by IAPMO Research and Testing, Inc. of the product's compliance with applicable listing jurisdiction.

Effective Date: August 2013 Void After: August 2014
 Product: Plumbing Fixture Fittings File No. 8737

Issued To: Kaiping Heart Cartridge Co., Ltd.
 No. 28 Heilman Dong Road,
 Shilong Town,
 Kaiping City, GUANGDONG
 China

Identification: Plumbing supply fittings complying with this Standard shall be marked with the manufacturer's recognized name, trademark, or other mark or, in the case of private labeling, the name, trademark, or other mark of the customer for whom the fitting was manufactured. The marking shall be accomplished by use of a permanent mark or by placing a permanent label on the product. Markings on plumbing supply fittings shall be visible after installation.

Single-handle, single-control, and automatic compensating mixing bath and shower valves shall have identifiable temperature control settings in which the settings are indicated by words "cold", "warm", "hot", etc.), by numbers, or graphically.

Packages shall be marked with the manufacturer's name, trademark, or other mark as well as the model number or, in the case of private labeling, the name, trademark, or mark of the customer for whom the fitting was manufactured as well as the model number.

David McHenry
 Chairman, Product Certification Committee

Ross Cheney
 CEO, The IAPMO Group



This listing period is based upon the last date of the month indicated on the Effective Date and Void After Date shown above. Any change in material, manufacturing process, marking or design without notifying your assigned IAPMO Product Certification Committee, or any violation of manufacturing and applicable codes and standards or in other circumstances, may be deemed sufficient cause for revocation of this listing. Production of or reference to this form for advertising purposes may be made only by specific written permission of IAPMO Research and Testing, Inc. Any alteration of this certificate could be grounds for revocation of this listing. This document shall be reproduced in its entirety.

IAPMO RESEARCH AND TESTING, INC.

5001 East Philadelphia Street, Ontario, California 91761-2816 • (909) 472-4100 Fax (909) 472-4244 • www.iapmo.org



CERTIFICATE OF LISTING

IAPMO Research and Testing, Inc. is a product certification body which tests and reports compliance with the supplier's claim on the market or a combination of both to verify compliance with the requirements of applicable codes and standards. This activity is subject to periodic surveillance of the supplier's factory and manufacturing as well as the assessment of the supplier's Quality Assurance System. This listing is subject to the conditions set forth in the Characteristics table and shall not be construed as any recommendation, assurance or guarantee by IAPMO Research and Testing, Inc. of the product's compliance with applicable listing jurisdiction.

The most updated information on this Certificate of Listing is available online at pld.iapmo.org
 Effective Date: October 2016 -Rev. 11/28/2016- Void After: October 2017
 Product: Flexible Water Connectors File No. 4955

Issued To: Yuhuan Jianglin Plumbing Hose & Parts Co., Ltd.
 Package Industry Zone
 Yuhuan County
 Zhejiang 317400,
 China

Identification: Manufacturer's name or trademark and UPC® certification mark. Special note on label "For use with water in exposed locations only."

Characteristics: Flexible water connectors manufactured in various sizes, lengths and metal and fittings for hot or cold water applications that consist of an inner tube, which may or may not have an outer braided cover. Connectors are to be installed for use in accessible locations only and in accordance with the manufacturer's instruction, and the latest edition of the Uniform Plumbing Code.

Products listed on this certificate have been tested by an IAPMO RAT recognized laboratory. This recognition has been granted based upon the laboratory's compliance to the applicable requirements of ISO/IEC 17025.

Products are in compliance with the following code(s):
 Uniform Plumbing Code (UPC®)

David McHenry
 Chairman, Product Certification Committee

Ross Cheney
 CEO, The IAPMO Group



This listing period is based upon the last date of the month indicated on the Effective Date and Void After Date shown above. Any change in material, manufacturing process, marking or design without notifying your assigned IAPMO Product Certification Committee, or any violation of manufacturing and applicable codes and standards or in other circumstances, may be deemed sufficient cause for revocation of this listing. Production of or reference to this form for advertising purposes may be made only by specific written permission of IAPMO Research and Testing, Inc. Any alteration of this certificate could be grounds for revocation of this listing. This document shall be reproduced in its entirety.

IAPMO RESEARCH AND TESTING, INC.

5001 East Philadelphia Street, Ontario, California 91761-2816 • USA • 909-472-4100 • 909-472-4244 • www.iapmo.org



CERTIFICATE OF LISTING

IAPMO Research and Testing, Inc. is a product certification body which tests and reports compliance with the supplier's claim on the market or a combination of both to verify compliance with the requirements of applicable codes and standards. This activity is subject to periodic surveillance of the supplier's factory and manufacturing as well as the assessment of the supplier's Quality Assurance System. This listing is subject to the conditions set forth in the Characteristics table and shall not be construed as any recommendation, assurance or guarantee by IAPMO Research and Testing, Inc. of the product's compliance with applicable listing jurisdiction.

The most updated information on this Certificate of Listing is available online at pld.iapmo.org
 Effective Date: November 2016 -Rev. 3/1/2017- Void After: November 2017
 Product: Plumbing Fixture Fittings File No. 4528

Issued To: Beopel, Inc.
 171 Mattanuck Heights
 Waterbury, CT 06705

Identification: Each fitting component shall bear permanent legible markings to identify the manufacturer. This marking shall be the trade name, trademark, or other mark known to identify the manufacturer. The product shall also bear all other markings required by the standard. The marking shall be located where it can be readily seen after installation is complete. The product or packaging shall also bear the UPC® certification mark.

Characteristics: Plumbing fixture fitting components to be installed in accordance with the manufacturer's instructions and the requirements of the latest edition of the Uniform Plumbing Code.

Products listed on this certificate have been tested by an IAPMO RAT recognized laboratory. This recognition has been granted based upon the laboratory's compliance to the applicable requirements of ISO/IEC 17025.

Products are in compliance with the following code(s):
 Uniform Plumbing Code (UPC®)
 National Plumbing Code of Canada

Tom Collings
 Chairman, Product Certification Committee

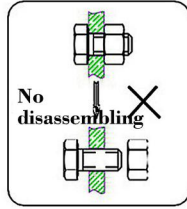
Ross Cheney
 CEO, The IAPMO Group



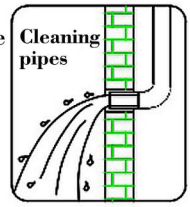
This listing period is based upon the last date of the month indicated on the Effective Date and Void After Date shown above. Any change in material, manufacturing process, marking or design without notifying your assigned IAPMO Product Certification Committee, or any violation of manufacturing and applicable codes and standards or in other circumstances, may be deemed sufficient cause for revocation of this listing. Production of or reference to this form for advertising purposes may be made only by specific written permission of IAPMO Research and Testing, Inc. Any alteration of this certificate could be grounds for revocation of this listing. This document shall be reproduced in its entirety.

BEFORE INSTALLATION

This product has been inspected and debugged by the factory to the best condition. Please do not disassemble and assemble it yourself.

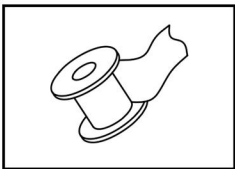


Before installing the faucet, please be sure to remove sundries and sludge from the water pipe to prevent sundries from blocking the faucet.

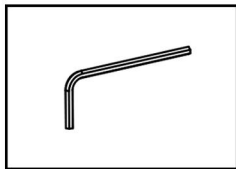


1. Please read the manual firstly before installation;
2. Please check the condition of all the parts, and the installation tools are not included, please prepare it by yourself;
3. User manual includes matters needing attention during installation, please keep it properly;
4. The size chart in the manual is for reference only, please refer to the actual product that you receive.

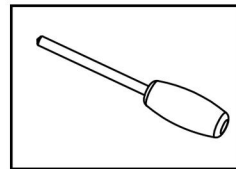
Recommend Tools :



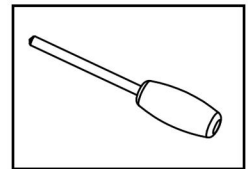
PTFE Tape



Hex Key

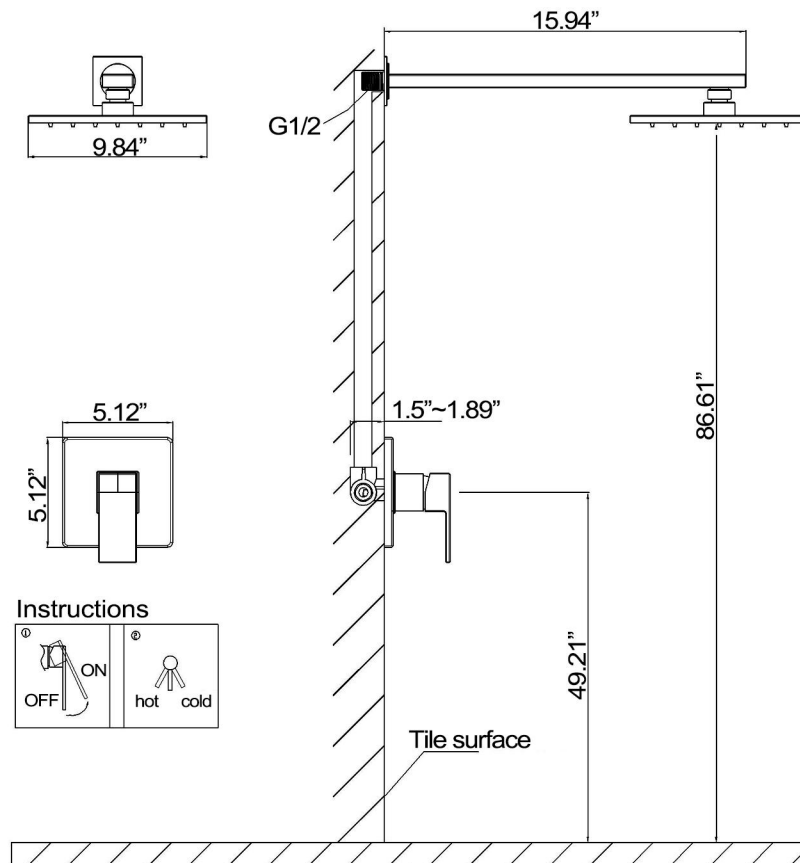


Slotted Screwdriver



Phillips Screwdriver

INSTALLATION DIMENSION



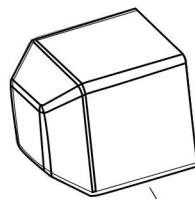
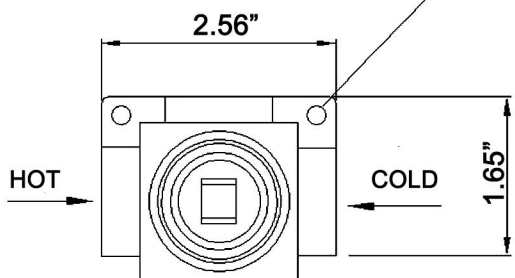
The picture is for reference only, you can install it according to your own requirements.

INSTALLATION STEPS

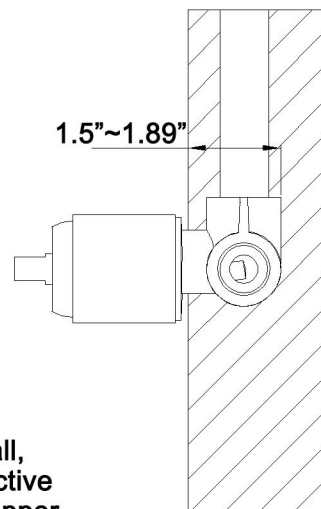
- 1.The sundries at the connection area must be cleared before installation to avoid blockage or leakage;
- 2.Connect the inlet pipe correctly as shown in the figure;
- 3.The maximum temperature of hot water is not higher than 80 °C (176°F);
- 4.Please contact seller for consultation if you need to install in other method.

①

Mark the location of screw holes on the wall, drill holes and install the water intake body

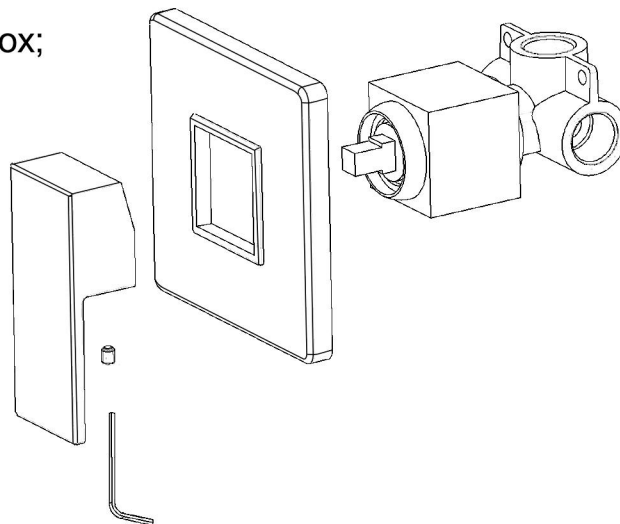


In the process of burying the wall, please do not remove the protective cover and avoid touching the copper sleeve.



②Please install other parts in the order as shown in the figure below when the valve mounted to the wall:

- 1.Remove the lid of the Embedded Box;
- 2.Place the trim plate;
- 3.Mount the handles.



CLEANING CARE

In order to keep the appearance of faucet clean, bright and good performance, please take care of the faucet as follows;

- 1.Rinse with water only and dry with soft cotton cloth;
- 2.Use mild liquid and colorless glass cleaner to remove surface dirt and scale film, or use polish without abrasive effect;
- 3.Do not use abrasive detergent, polish, emery cloth, paper towel or scraper, etc.;
- 4.Do not use acid cleaner, or cleaner and soap with insoluble gran etc.;
- 5.In the process of use, mud may accumulate in the bubbler and make the water flow show, The bubbler can be unscrewed, rinsed with water, and then installed back in place.



Please feel free to contact us if you have any questions. We will help to solve the issue together with you. OUR EMAIL: services@rbrohant.com



**TAPLONG**
SANITARY WARE