

Aquno Select
Kitchen Faucet, 2-Spray Pull-Out, 1.75 GPM
 Finishes : **matte black** Part no. : **73836671**



Description

Features

- Swivel range adjustable in 3 steps: 60°, 110° or 150°
- Laminar spray, SatinFlow
- Change between SatinFlow and pull-out sprayer at the touch of a button
- MagFit magnetic sprayhead docking
- deck mounted, recommendation: the middle of tap hole drilling should be max. 50 mm from the back side of of the bowl
- Flow: 1.75 GPM (6.6 L/Min)
- Ceramic cartridge
- 3/8" connections
- Integrated double backflow prevention
- 1 3/8" Mounting hole required, recommendation: the middle of tap hole drilling should be max. 50 mm from the back side of of the bowl

Item details

List Price \$ 1,093.00

Technology

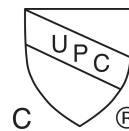


Design awards



reddot winner 2020
best of the best

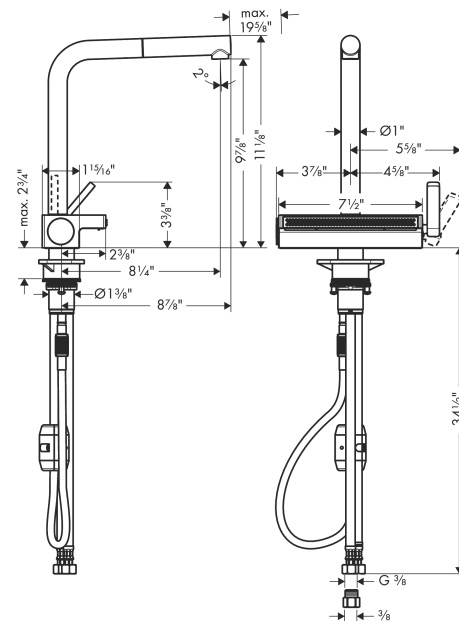
Compliance



Product image



Scale drawing

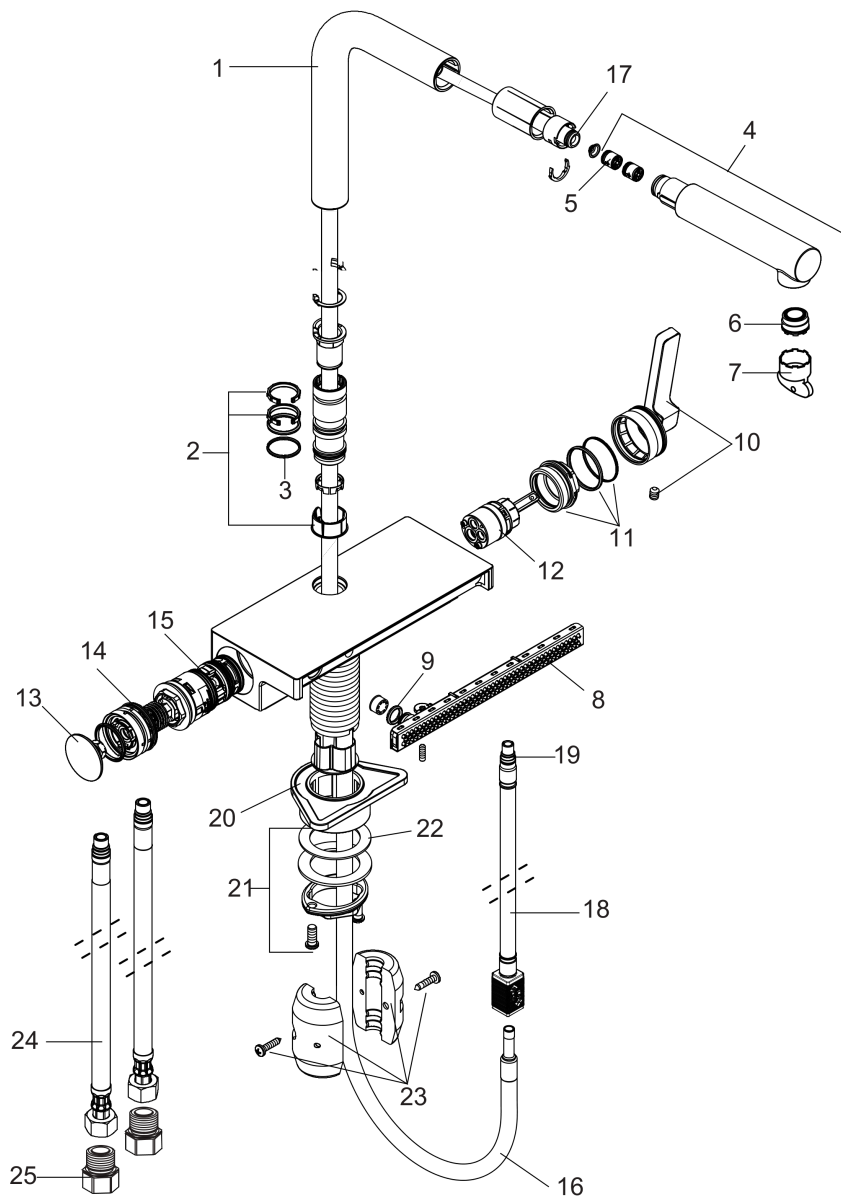


Aquno Select
Kitchen Faucet, 2-Spray Pull-Out, 1.75 GPM
 Finishes : **matte black** Part no. : **73836671**



Exploded drawing

Year of production: >06/20



Aquno Select
Kitchen Faucet, 2-Spray Pull-Out, 1.75 GPM
 Finishes : **matte black** Part no. : **73836671**



Spare parts list

Year of production: >06/20

Pos.	Description	Part no.	Price	PU
1	spout cpl.	93749670	-	1
2	set of lever collars	98365000	-	1
3	O-ring 19x2	98426000	-	1
4	handspray	93751671	-	1
5	non return valve DW 10	96456000	-	1
6	spray former	93748001	-	1
7	service tool	93750000	-	1
8	spray head cpl.	93781670	-	1
9	O-ring 10x2	98170000	-	1
10	handle	93776670	-	1
11	nut	92926000	-	1
12	cartridge, assy	93183000	-	1
13	cover	93777670	-	1
14	spring with sleeve	93782000	-	1
15	selector assy	93558000	-	1
16	hose 1,50 m	93816000	-	1
17	O-ring 8x2	98112000	-	1
18	null	92914000	-	1
19	O-ring 8x1,75	97827000	-	1
20	support	97523000	-	1
21	fixing set (Ø 34)	95049000	-	1
22	lever collar	97548000	-	1
23	weight	92500000	-	1
24	connection hose 900 mm M10x1 G3/8	93780000	-	1
25	adapter for connection hose	88802000	-	1