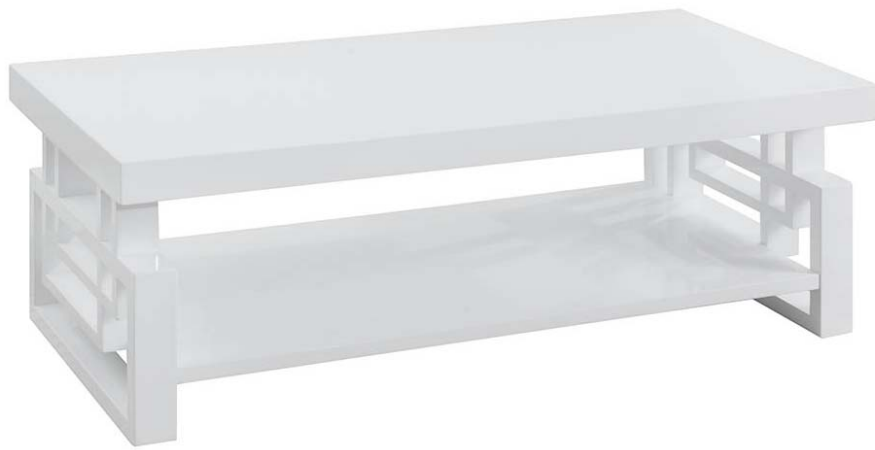


ASSEMBLY INSTRUCTIONS



Coffee Table

ASSEMBLY INSTRUCTIONS

ASSEMBLY TIPS:

- 1.Remove hardware from box and sort by size.
- 2.Please check to see that all hardware and parts are present prior to start of assembly.
- 3.Please follow attached instructions in the same sequence as numbered to assure fast & easy assembly.



Warning !!

1. Don't attempt to repair or modify parts that are broken or defective. Please contact the store immediately.
2. This product is for home use only and not intended for commercial establishment.

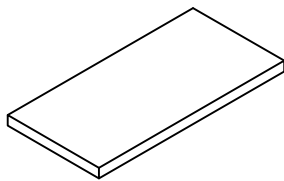


ASSEMBLY TIME

30 MINUTES

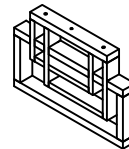
PARTS IDENTIFICATION

(A) TOP



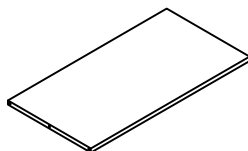
1 PC

(C) LEFT LEG FRAME



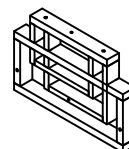
1 PC

(B) SHELF



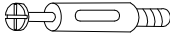


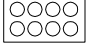



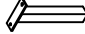


1 PC

(D) RIGHT LEG FRAME



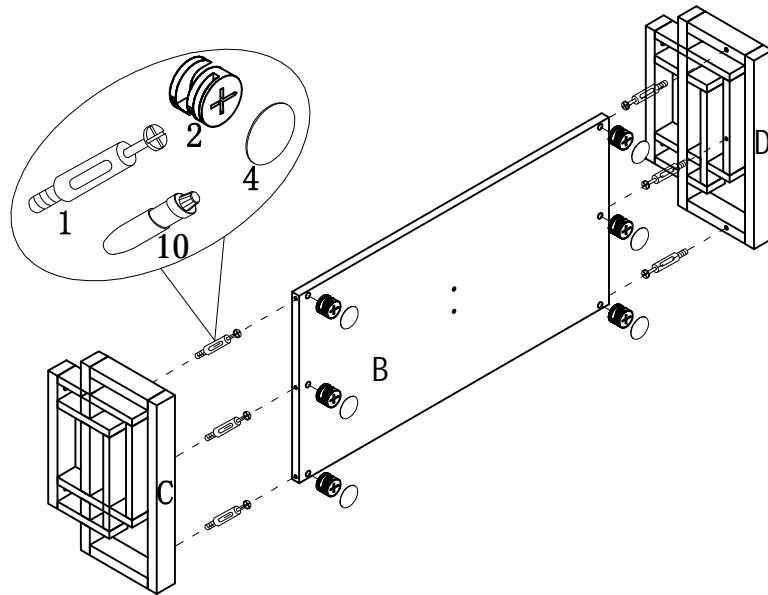
1 PC

HARDWARE IDENTIFICATION

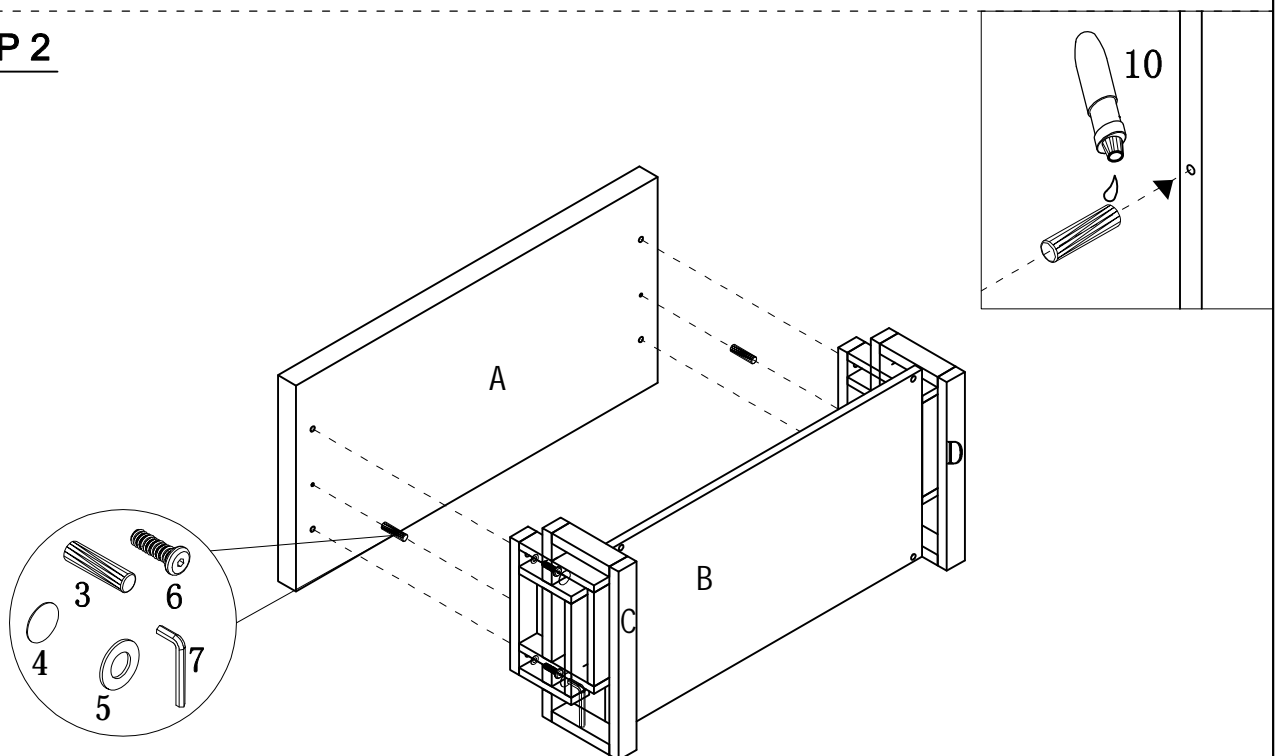
1	CAMBOLT	L=29mm		6pcs
2	CAMLOCK	Ø15mm		6pcs
3	DOWEL	Ø8×25mm		2pcs
4	STICKER	Ø22mm		4pcs
5	WASHER	Ø8XØ16X2mm		4pcs
6	INNER HEX SCREW	M8x35mm		4pcs
7	WRENCH	M5mm		1pc
8	METAL LEG	80x25x82mm		1pc
9	SCREW	M6x12mm		2pcs
10	GLUE			1pc

ASSEMBLY INSTRUCTIONS

STEP 1

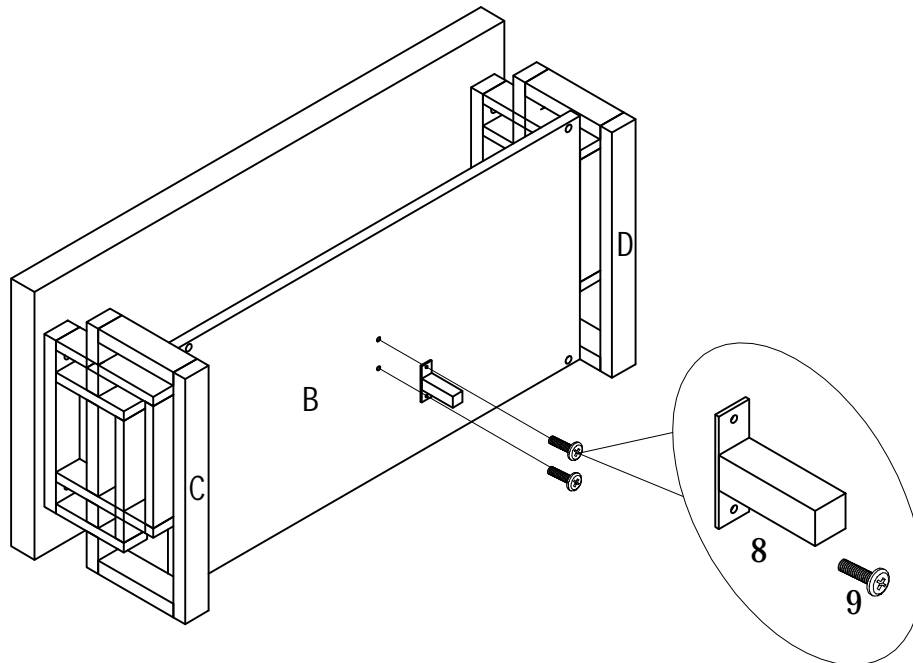


STEP 2

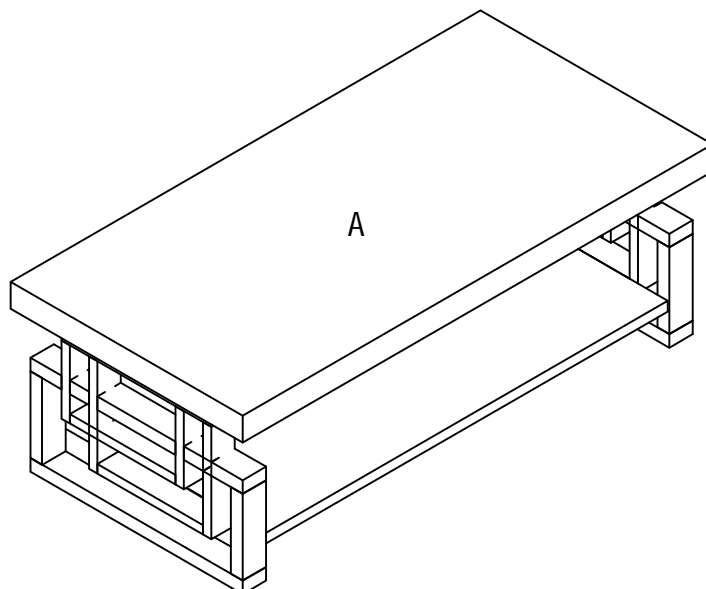


ASSEMBLY INSTRUCTIONS

STEP 3



STEP 4



DIMENSION

