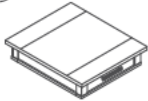








Assembly Instruction

Description: End Table

PARTS LIST:

①		②		③	
TABLE TOP: 1PC		LEG FRAME: 2PCS		TABLE BOTTOM: 1PC	
④ HARDWARE LIST					
NO.	Drawing	Description	Q'TY		
A		Ø5/16" Wrench (12mm)	1pc		
B		Bolt Ø5/16"x1-1/2"	10pcs		
C		Spring washer (Ø5/16")	10pcs		
D		Flat washer (Ø5/16"x19mm)	10pcs		

