

ASSEMBLY INSTRUCTION

We believe you will absolutely love your new furniture. Please immediately examine this product carefully. Any request for missing part or damage replacement must be received within 90 days of your receipt of the product. For some reason you want to return the product, please contact us directly before you decide to return your product to the retailer. Answer most concerns and can assist you with any questions you may have about your new product.

Have these ready when you email:

- Item Number
- PO #
- Purchaser Name
- Proof of Purchase
- Description of the problem and/or the Part Number needed

Replacements for missing or damaged parts or hardware are normally shipped within 3 to 5 business days and we thank you for your patient.

The item must be returned in good condition, in original box, with all original proof of purchase, parts and accessories, within the time frame specified by the retailer it was purchased from.

90-Day Limited Warranty Statement for Manufacturing Defects

Please read this Limited Warranty carefully. To maintain your Warranty, you will need to comply with the conditions stated here.

This warranty is for manufacturing defects only and does not cover damages as a result of misuse.

1. Our products sold comply with the description contained in this Warranty. All parts and products are warranted 90-Day from the original date of delivery except: parts and products used for commercial, contract, rental trade, institutional, or any other non-residential purposes; parts and products that have not been maintained in accordance with the care recommendations provided; parts and products damaged resulting from the consumer's improper assembly; or parts and products that are damaged or defective due to normal wear and tear.

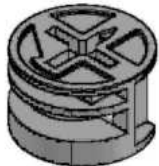



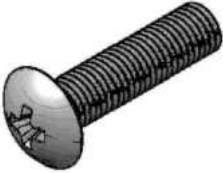


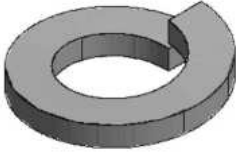
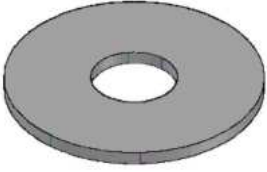
2. To exercise rights under this warranty, proper documentation, i.e., photography, purchase order number, manufacturer's bar code label, and or any other pertinent information upon request is required. We reserve the right to repair or replace the product within the warranty period based upon the documentation received as support of a claim for consideration. We will not replace or repair any product if improper maintenance, improper handling, or improper use caused the damage.

3. Cost of packaging and shipping to and from us is not covered by the warranty unless expressly arranged by us. This warranty does not extend to furniture that has been exchanged or replaced by us as settlement of an original claim of defective merchandise. This warranty does not extend to furniture that has been moved from delivery location on original purchase order.

We appreciate your business!

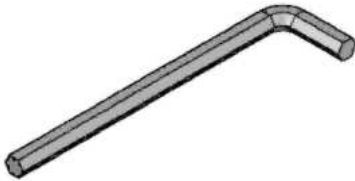


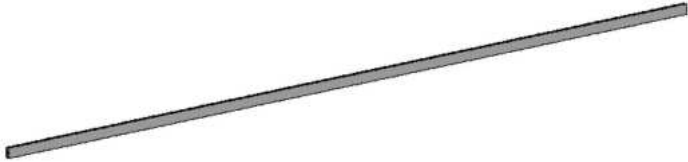

ASSEMBLY INSTRUCTION

HARDWARES LIST

ITEM	DESCRIPTION	DRAWING	QTY
A	MINIFIX CAM LOCK		50 PCS
B	MINIFIX CAM BOLT		50 PCS
C	WOOD DOWEL (M8 x 25MM)		4 PCS
D	WOOD DOWEL (M6 x 25MM)		56 PCS
E	TRUSS M-SCREW (22MM)		5 PCS
F	HANDLE		5 PCS
G	JCBC SCREW M6 x 55MM		4 PCS
H	SPRING WASHER M6 x 13MM		4 PCS
I	FLAT WASHER M6 x 19MM		4 PCS





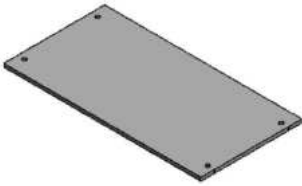
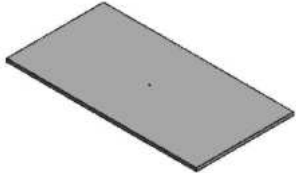
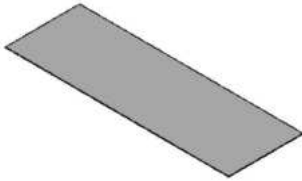
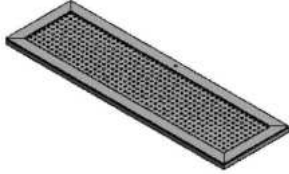
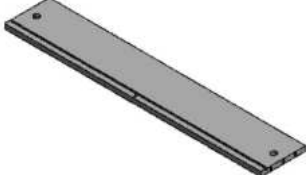
ASSEMBLY INSTRUCTION

HARDWARES LIST

ITEM	DESCRIPTION	DRAWING	QTY
J	M4 ALLEN KEY (65MM)		1 PC
K	6/8" NAIL		24 PCS
L	CSK SCREW M4 X 45MM		1 PC
M	PLASTIC STRIP (H SHAPE)		1 PC
N	TIPPING RESTRAINT		1 PC

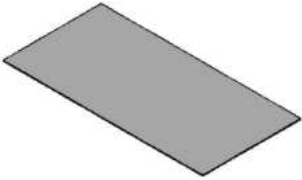



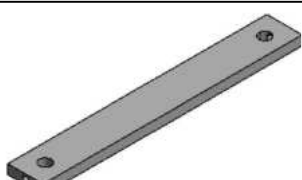
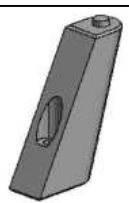
ASSEMBLY INSTRUCTION

PARTS LIST

ITEM	DESCRIPTION	DRAWING	QTY
C1	TOP PANEL		1 PC
C2	LEFT PANEL		1 PC
C3	RIGHT PANEL		1 PC
C4	SUPPORT RAIL		4 PCS
C5	FRONT TIPPING PANEL		1 PC
C6	CENTER & BACK TIPPING PANEL		3 PCS
C7	BACK PANEL		2 PCS
C8	DRAWER HEAD		5 PCS
C9	DRAWER BACK PANEL		5 PCS

ASSEMBLY INSTRUCTION

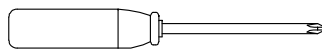
PARTS LIST

ITEM	DESCRIPTION	DRAWING	QTY
C10	DRAWER BOTTOM PANEL		5 PCS
C11	BOTTOM PANEL		1 PC
19	DRAWER LEFT PANEL		5 PCS
20	DRAWER RIGHT PANEL		5 PCS
21	DRAWER BOTTOM SUPPORT RAIL		5 PCS
22	LEG		4 PCS

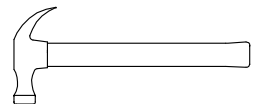
*Note: All parts needed are shown in above picture.
Numbers only indicate the specific parts for easy assembly.

ASSEMBLY TOOLS REQUIRED

1. Screwdriver (not provide)

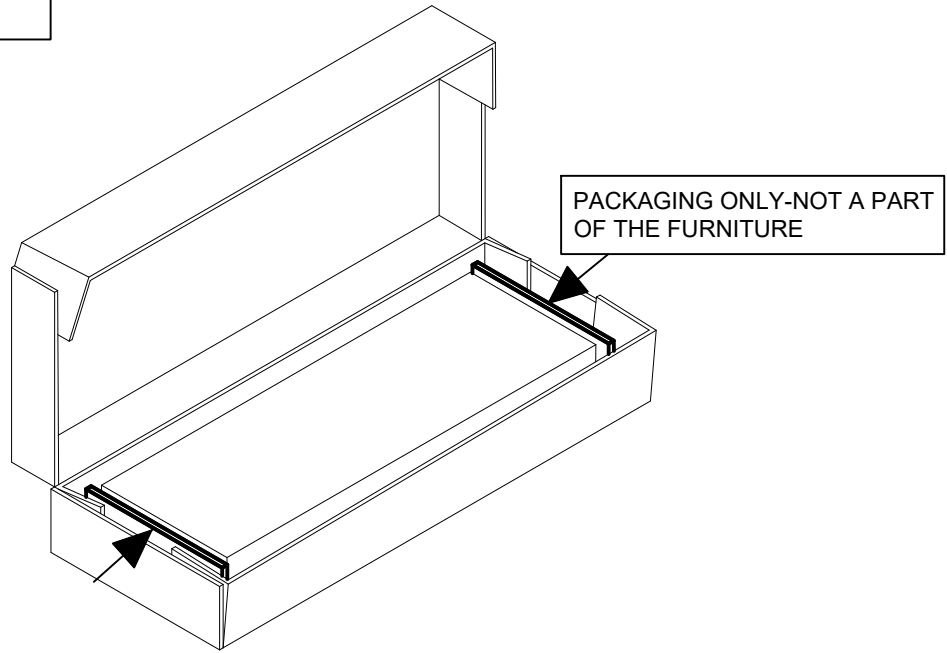


2. Hammer (not provide)

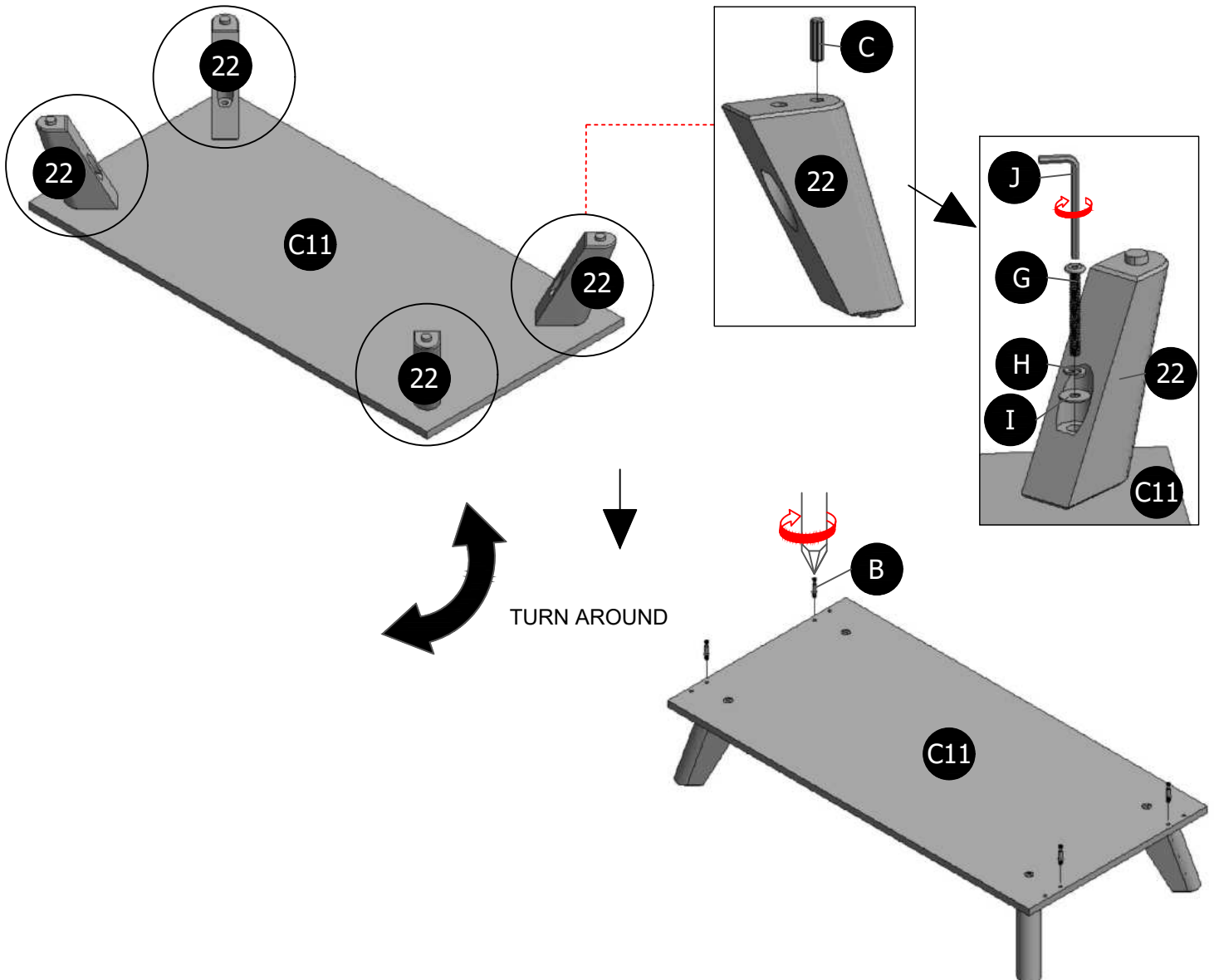


ASSEMBLY INSTRUCTION

NOTE : - The outer board is for protection of packaging only, not part of furniture. Please throw it before assembly.

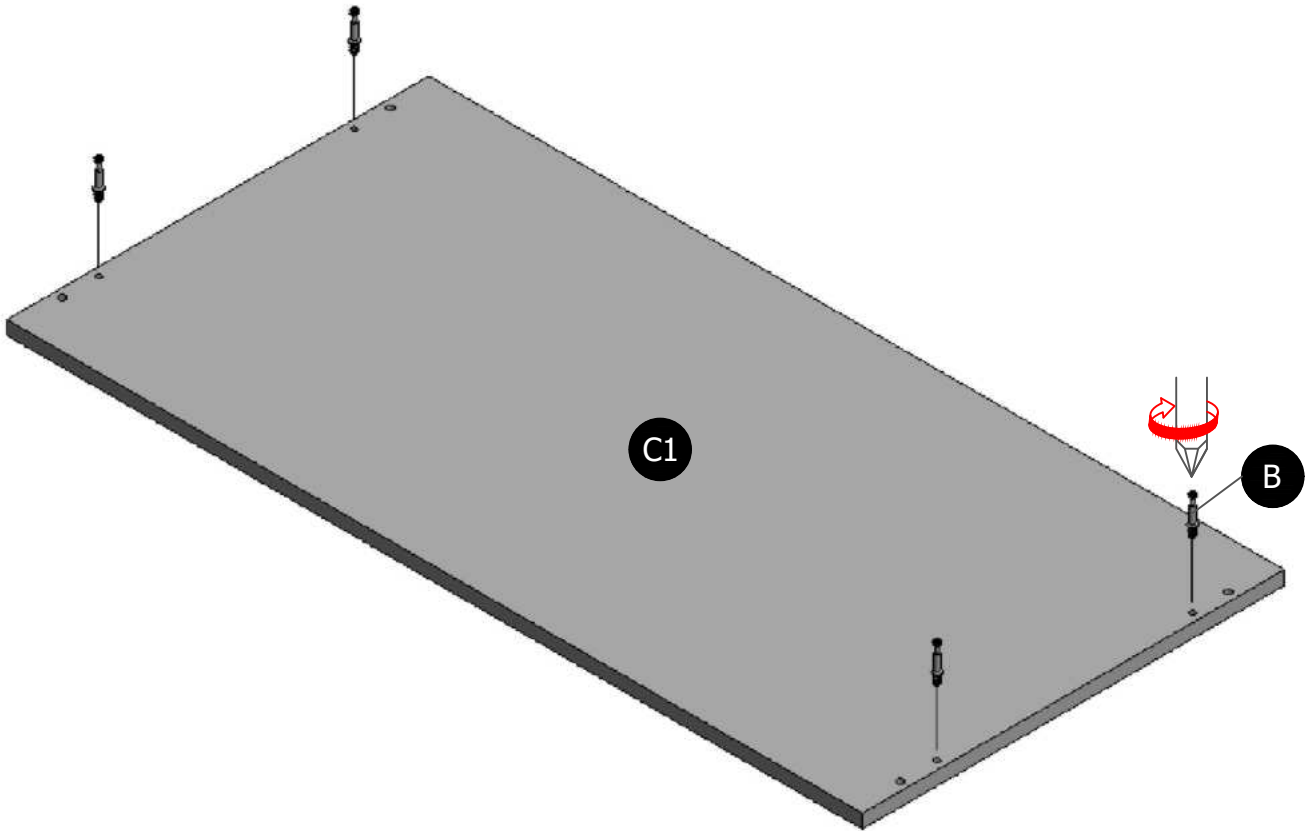


STEP 1



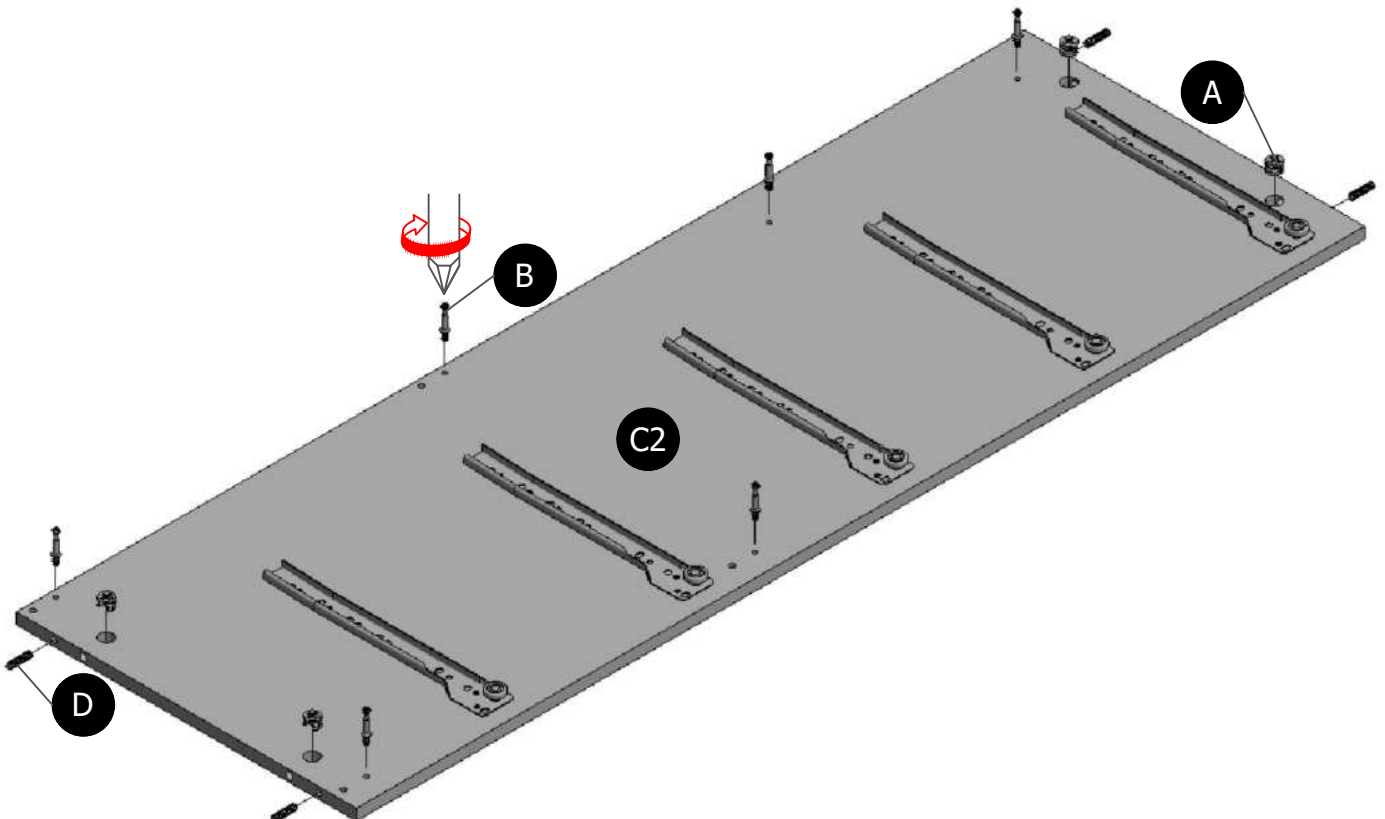
ASSEMBLY INSTRUCTION

STEP 2



STEP 3

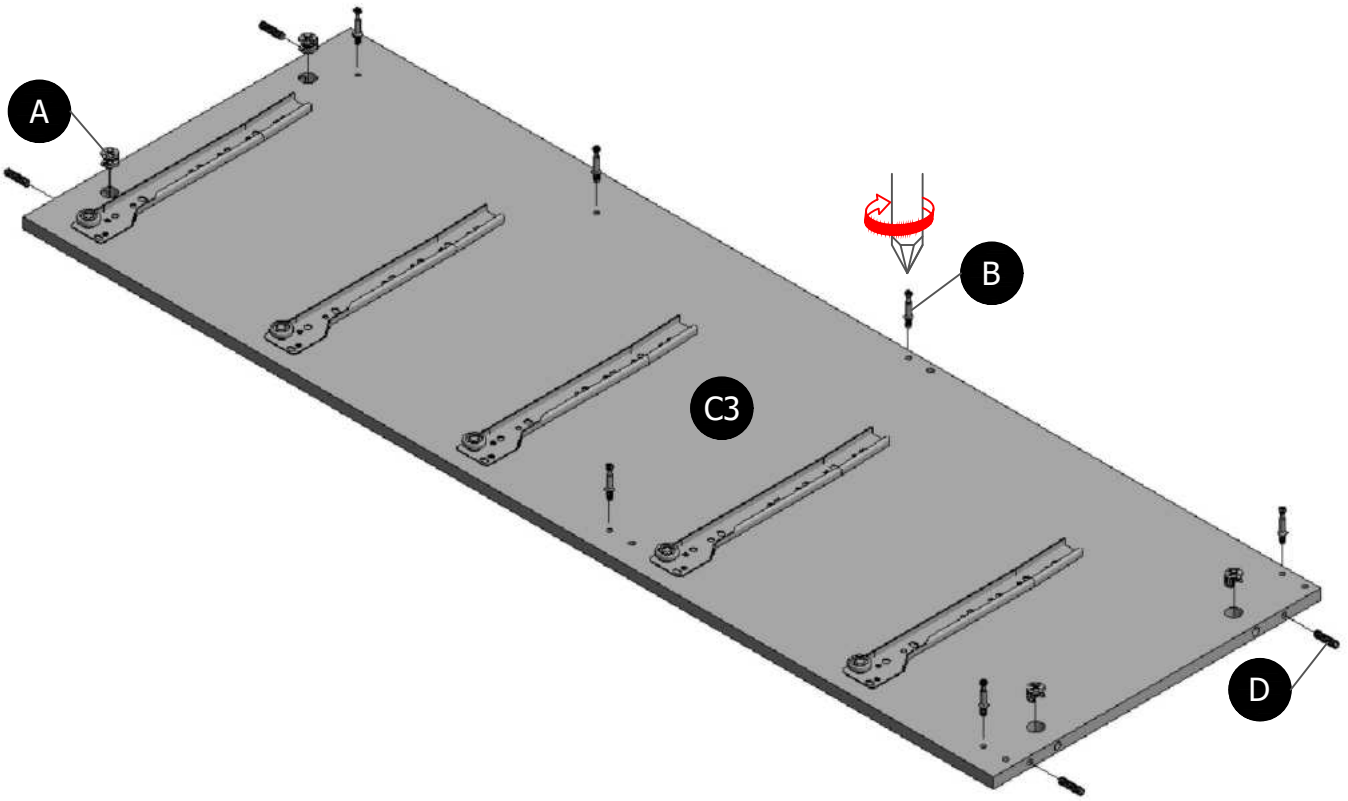
NOTE : - Make sure arrows on each (A) point towards nearest edge with hole.



ASSEMBLY INSTRUCTION

STEP 4

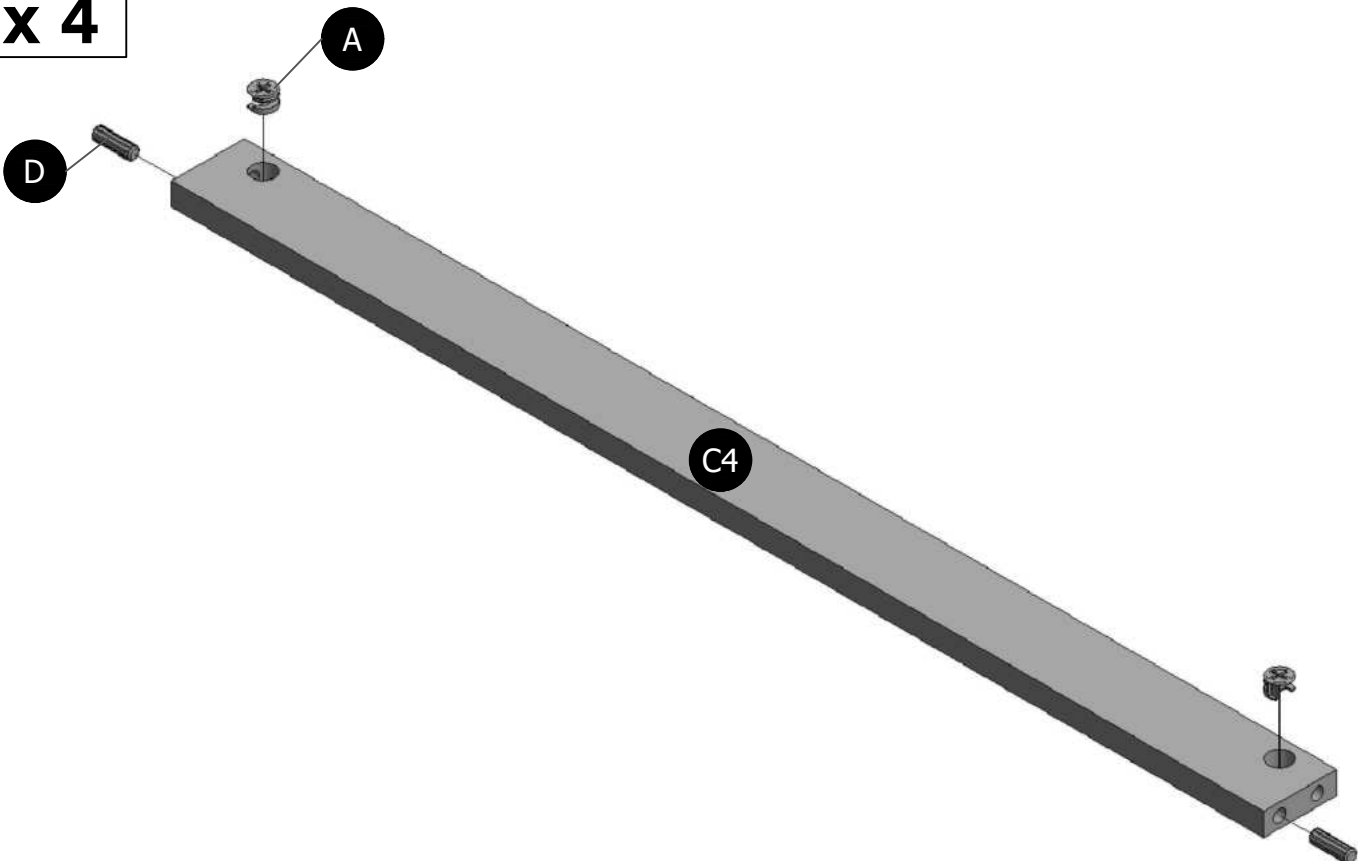
NOTE : - Make sure arrows on each (A) point towards nearest edge with hole.



STEP 5

NOTE : - Make sure arrows on each (A) point towards nearest edge with hole.

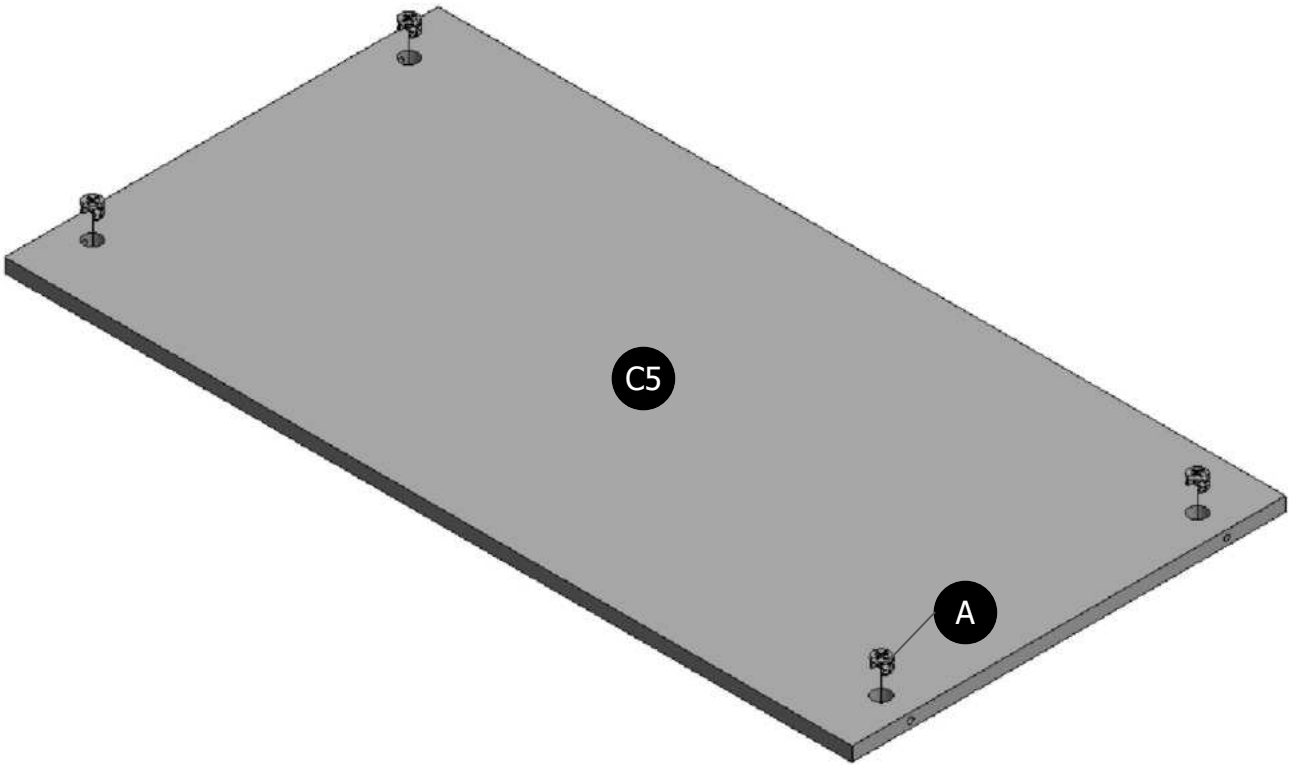
x 4



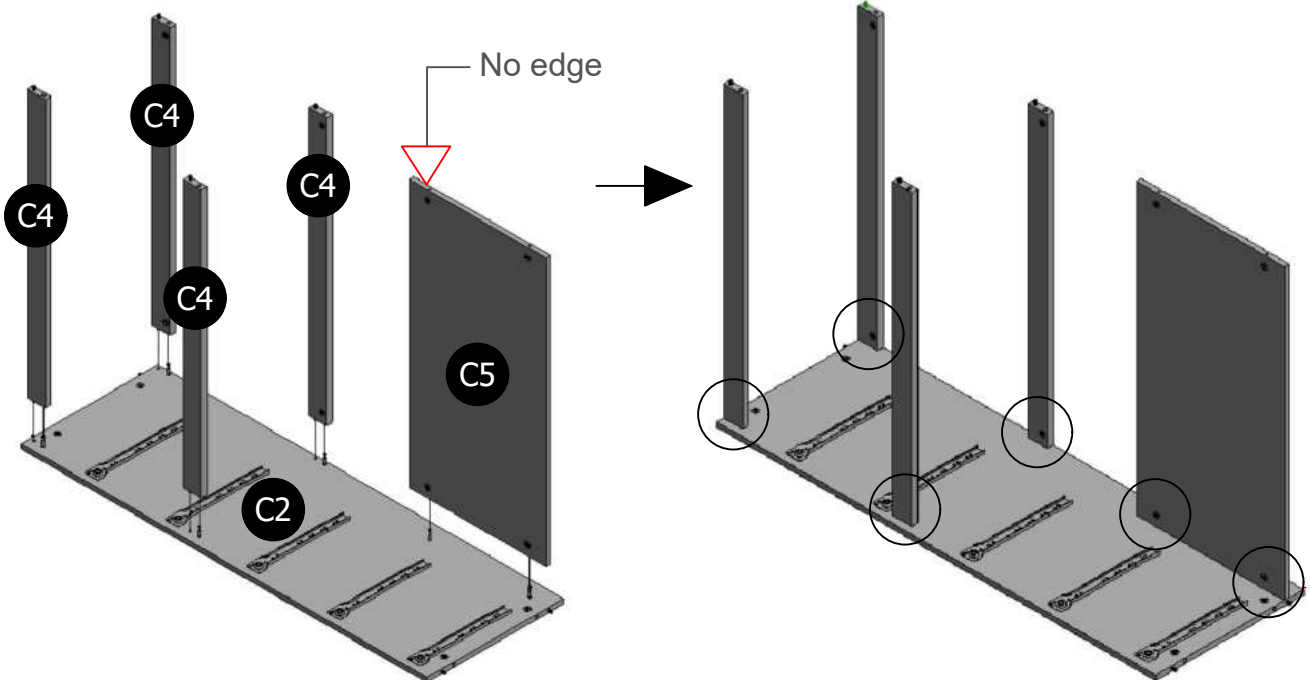
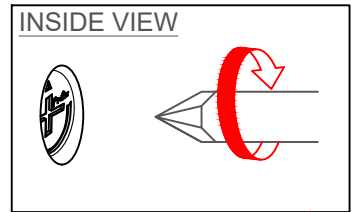
ASSEMBLY INSTRUCTION

STEP 6

NOTE : - Make sure arrows on each (A) point towards nearest edge with hole.

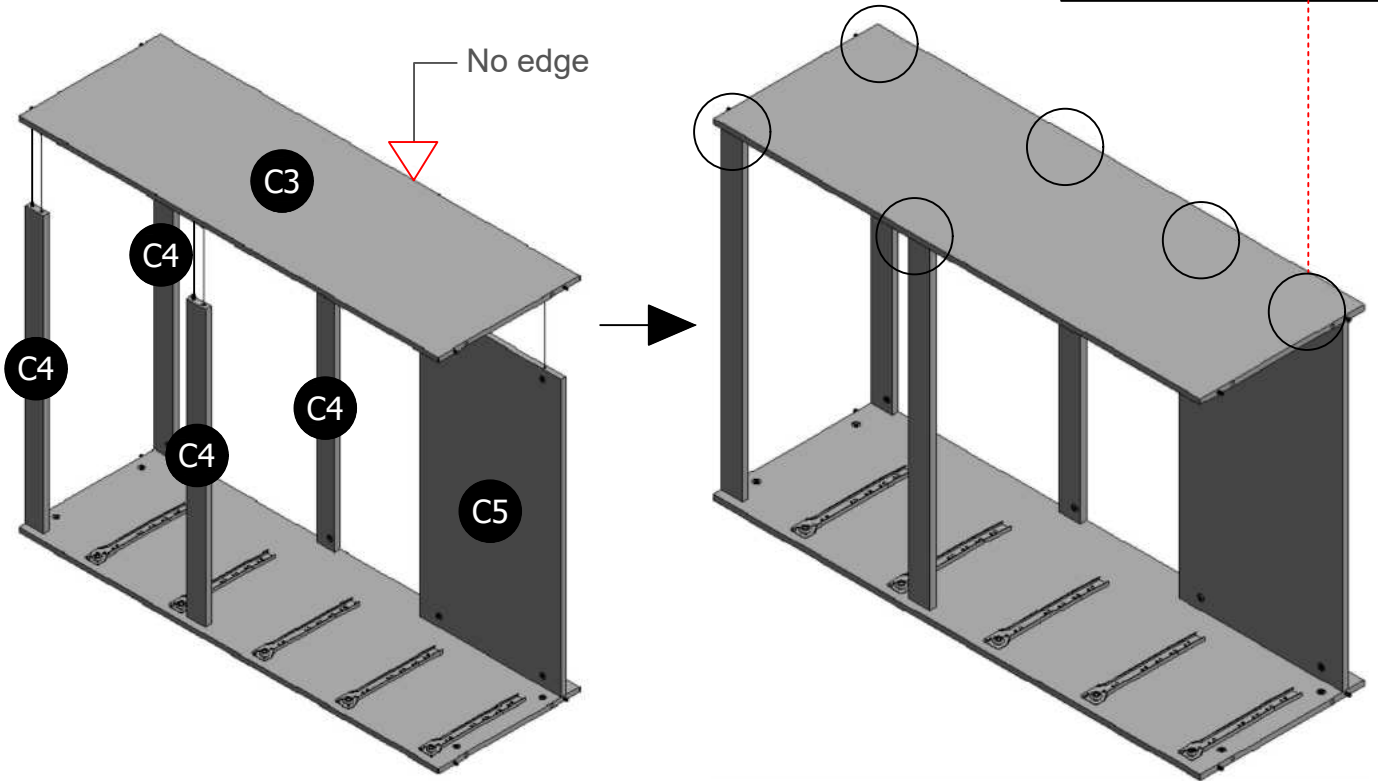


STEP 7

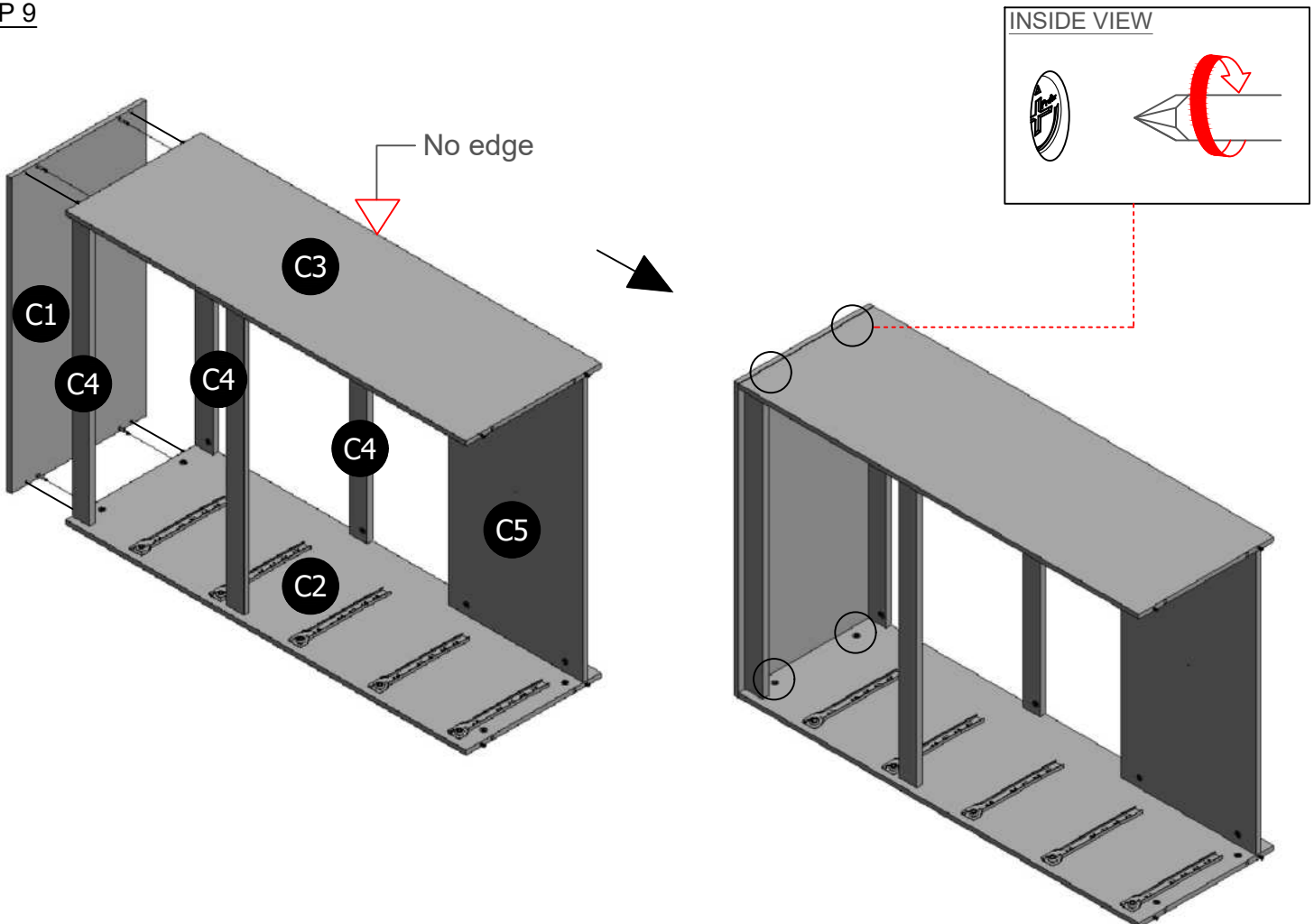


ASSEMBLY INSTRUCTION

STEP 8



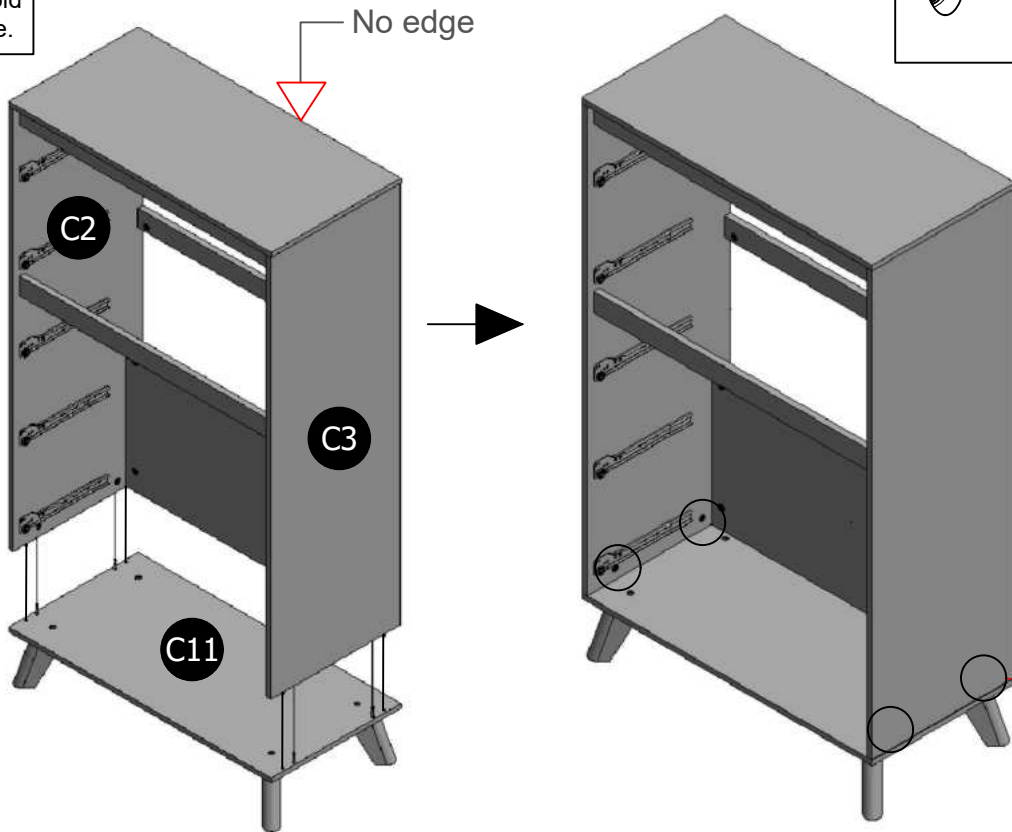
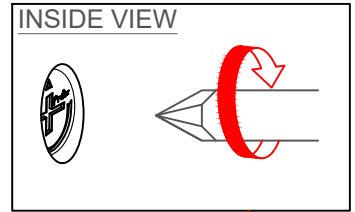
STEP 9



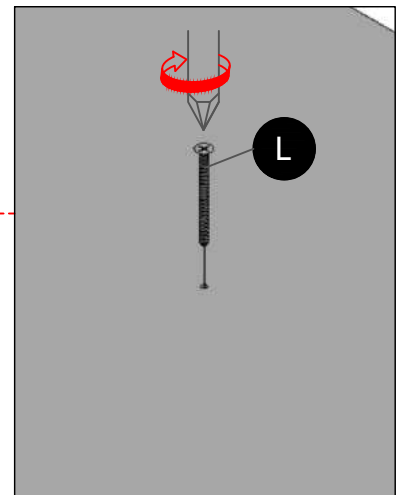
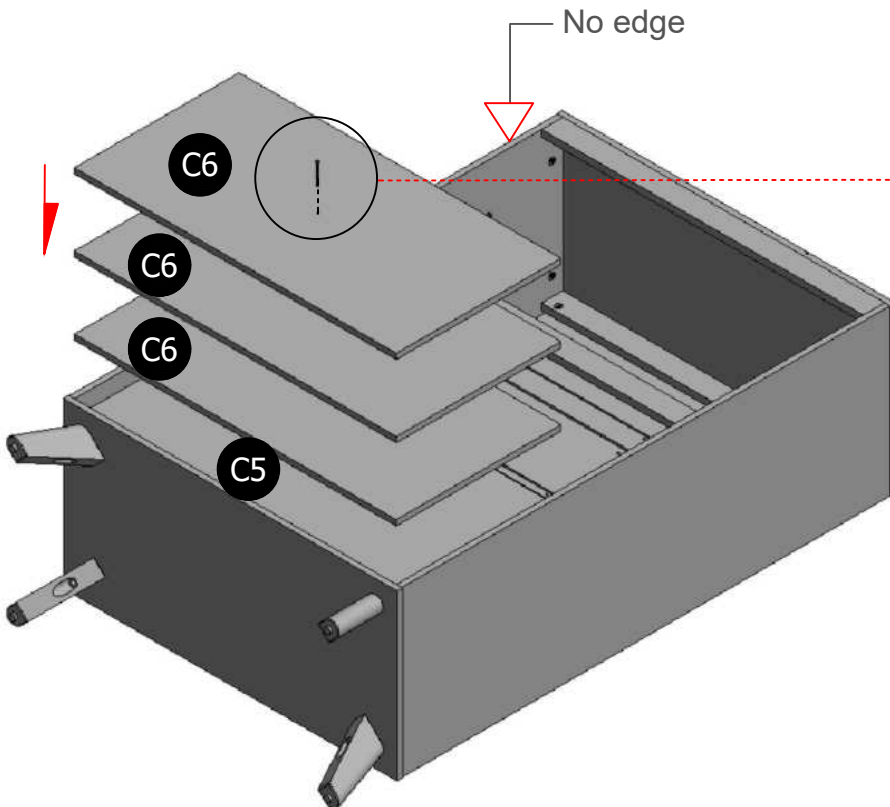
ASSEMBLY INSTRUCTION

STEP 10

CAUTION
This step requires second adult's assistance to avoid injury or product damage.



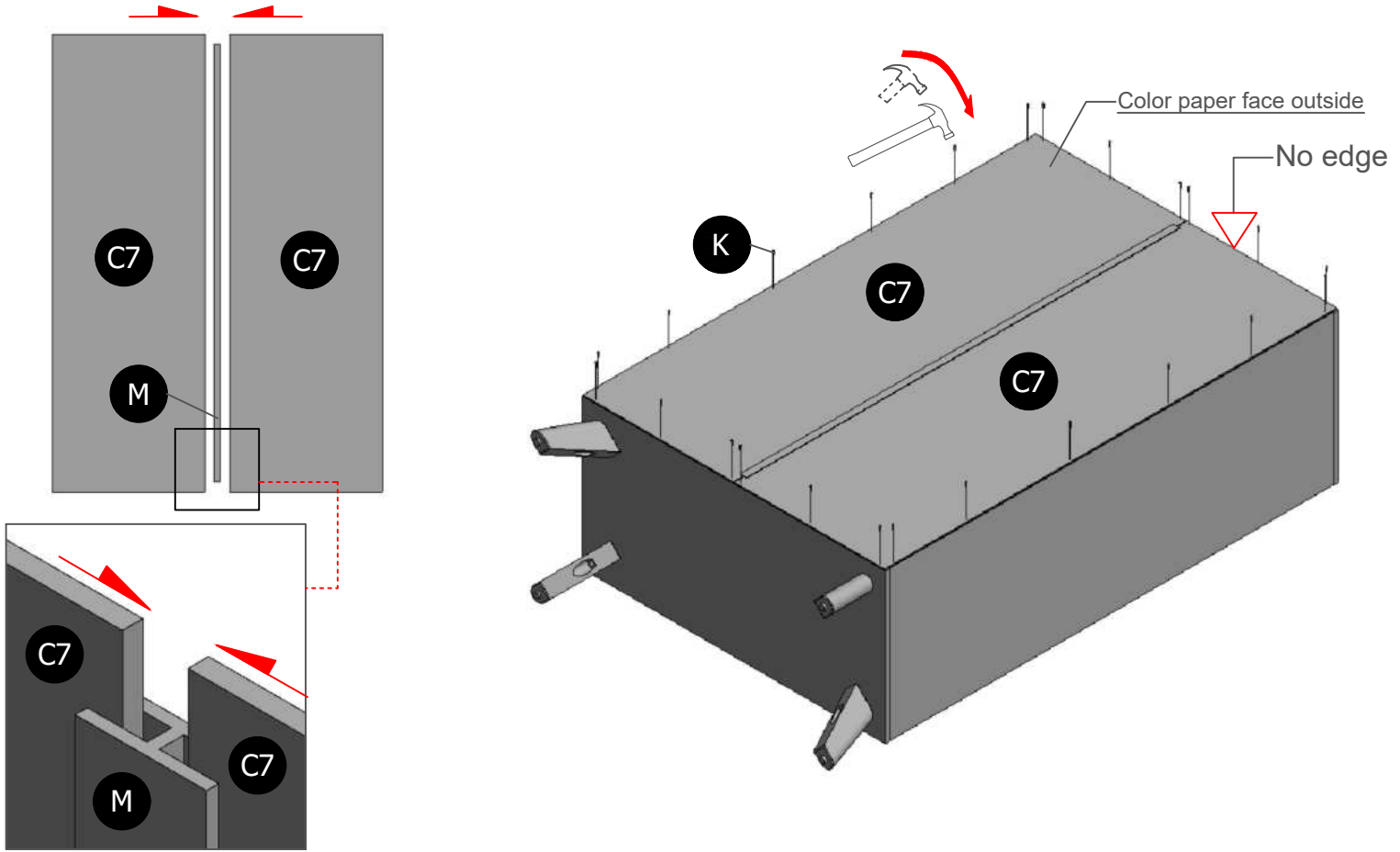
STEP 11



ASSEMBLY INSTRUCTION

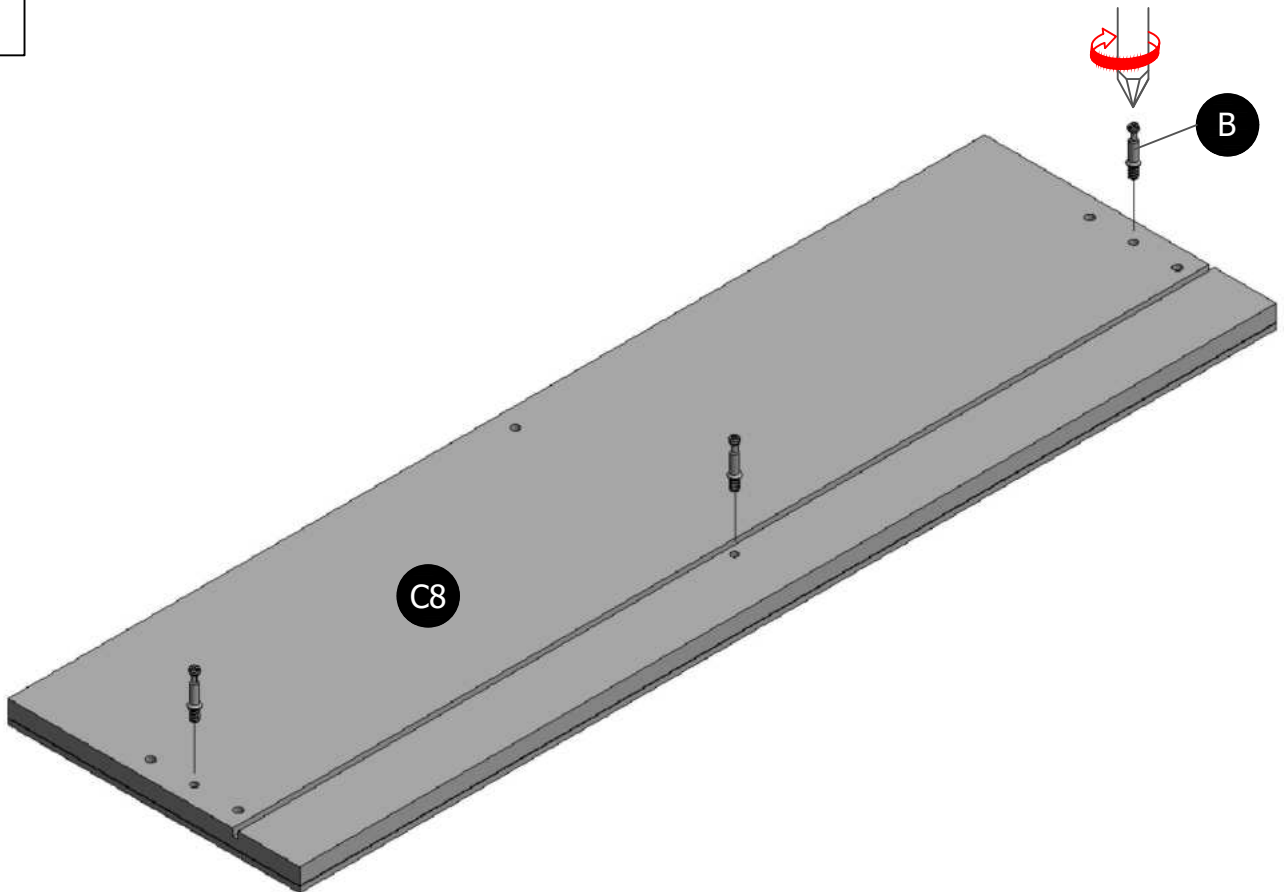
STEP 12

Side with color paper must be the same.



STEP 13

x 5

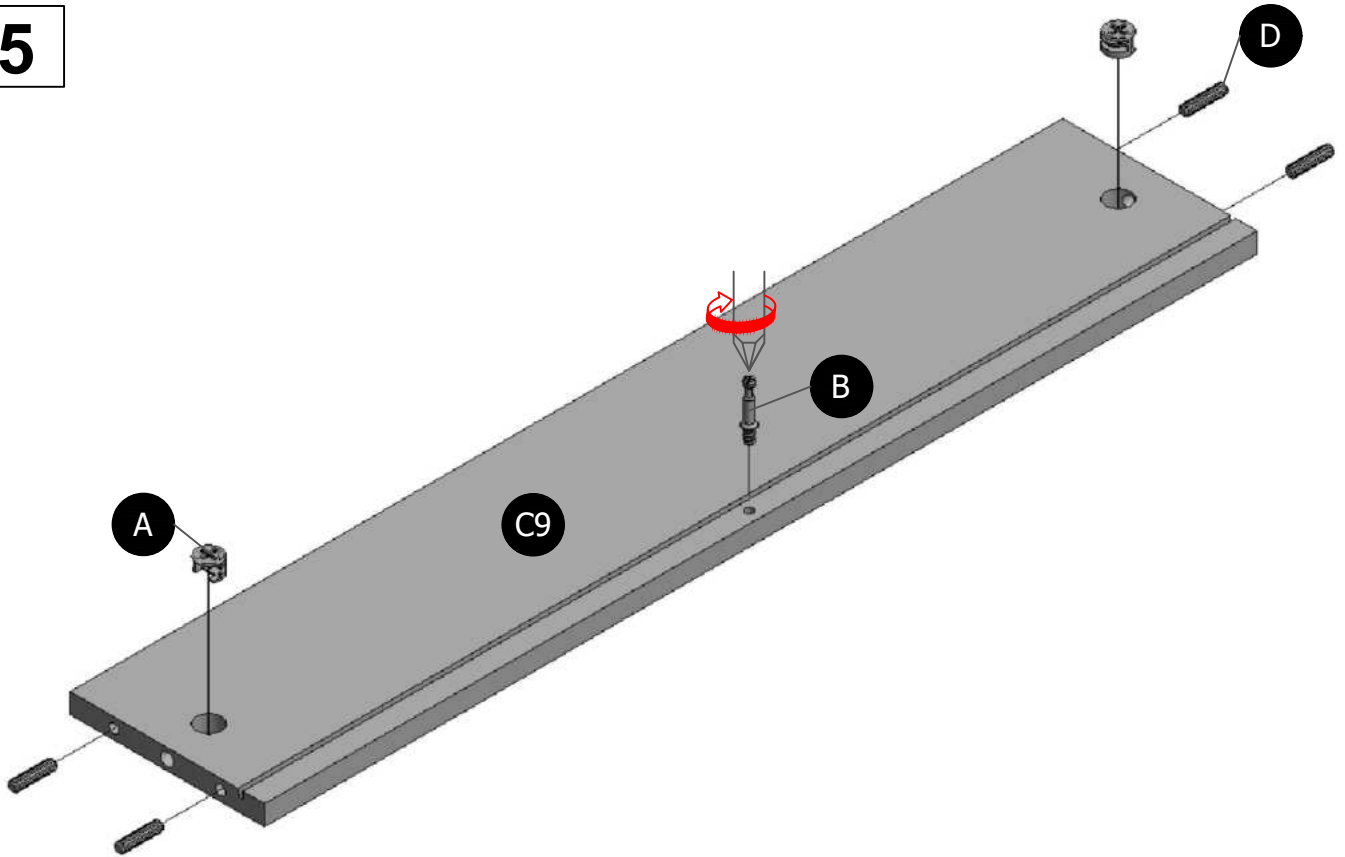


ASSEMBLY INSTRUCTION

STEP 14

NOTE : - Make sure arrows on each (A) point towards nearest edge with hole.

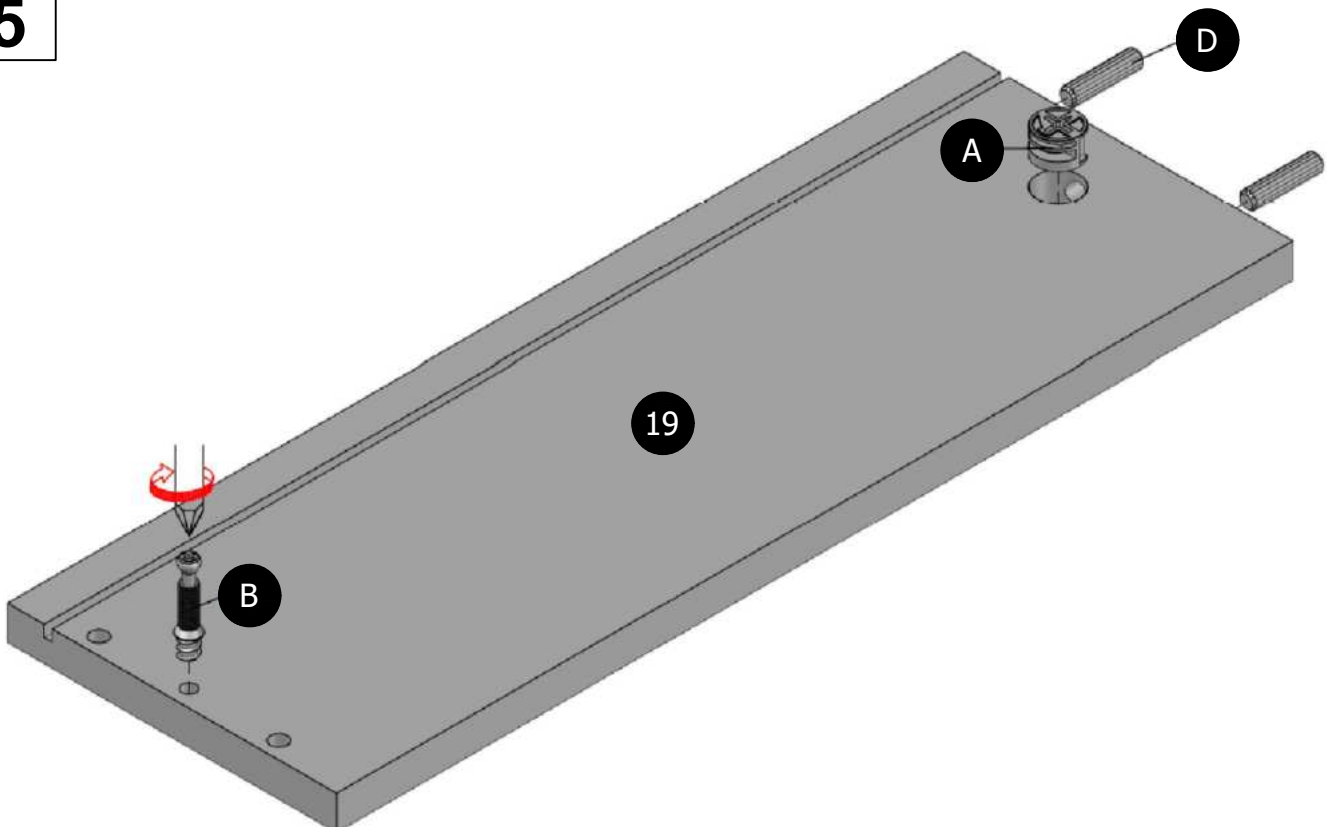
x 5



STEP 15

NOTE : - Make sure arrows on each (A) point towards nearest edge with hole.

x 5

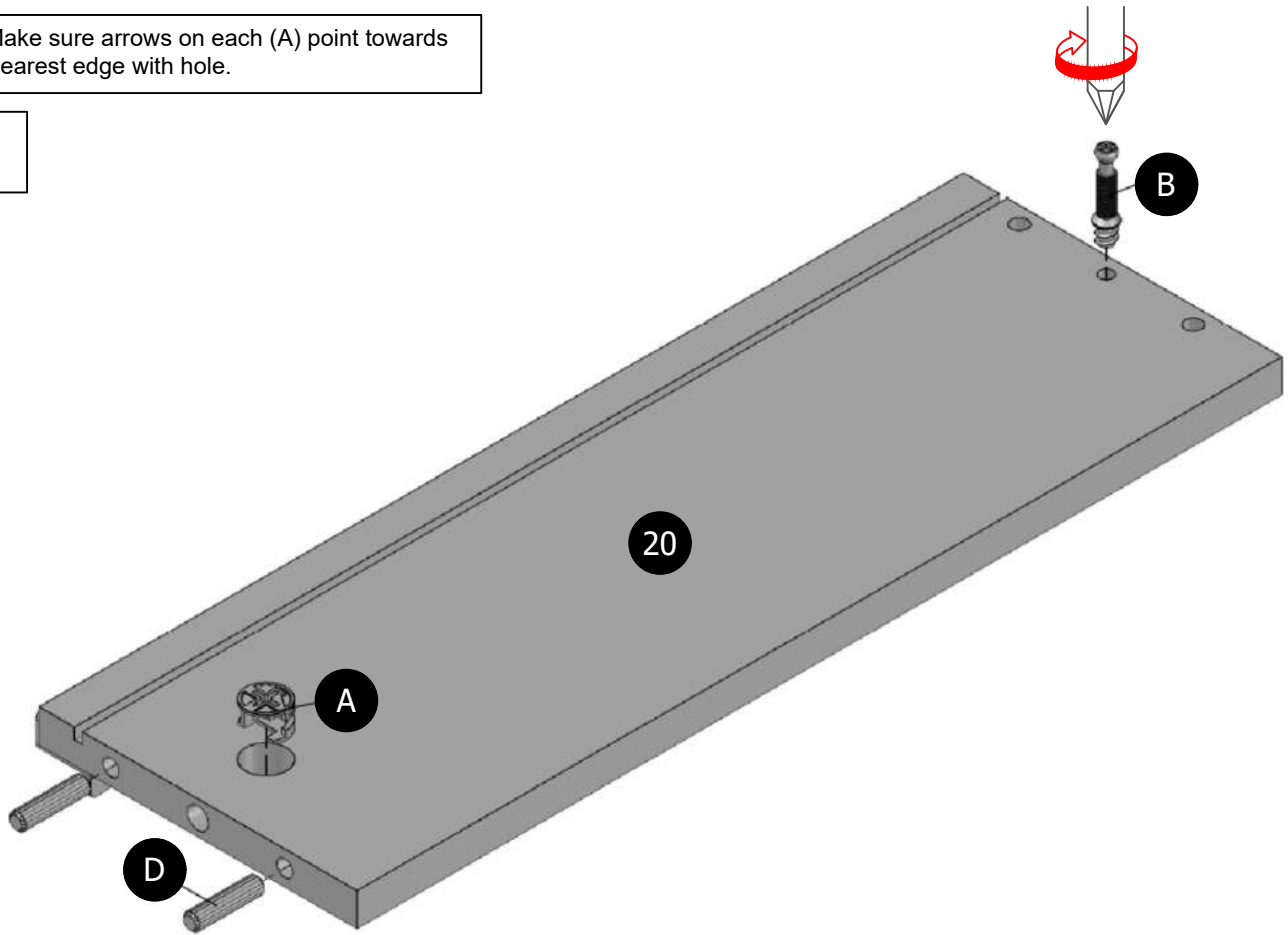


ASSEMBLY INSTRUCTION

STEP 16

NOTE : - Make sure arrows on each (A) point towards nearest edge with hole.

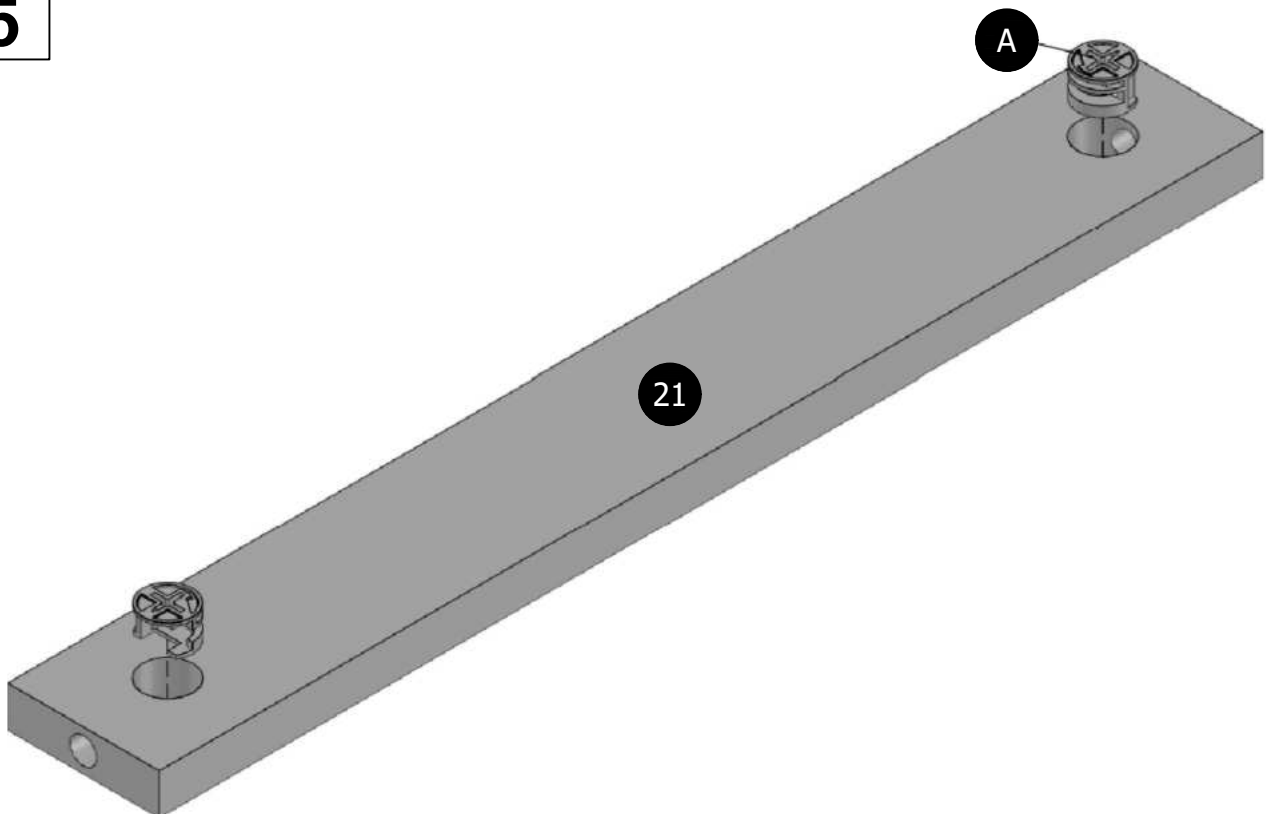
x 5



STEP 17

NOTE : - Make sure arrows on each (A) point towards nearest edge with hole.

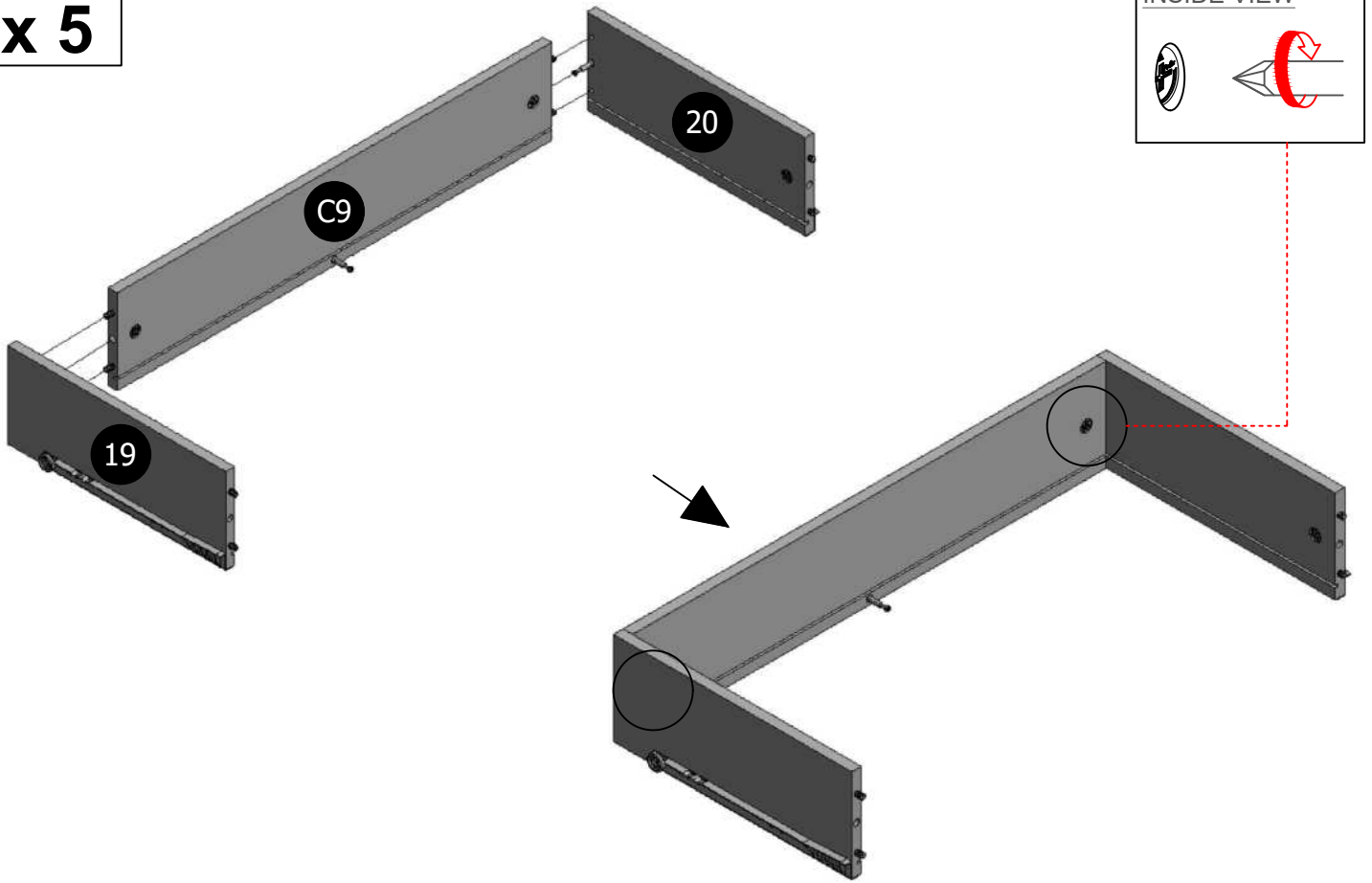
x 5



ASSEMBLY INSTRUCTION

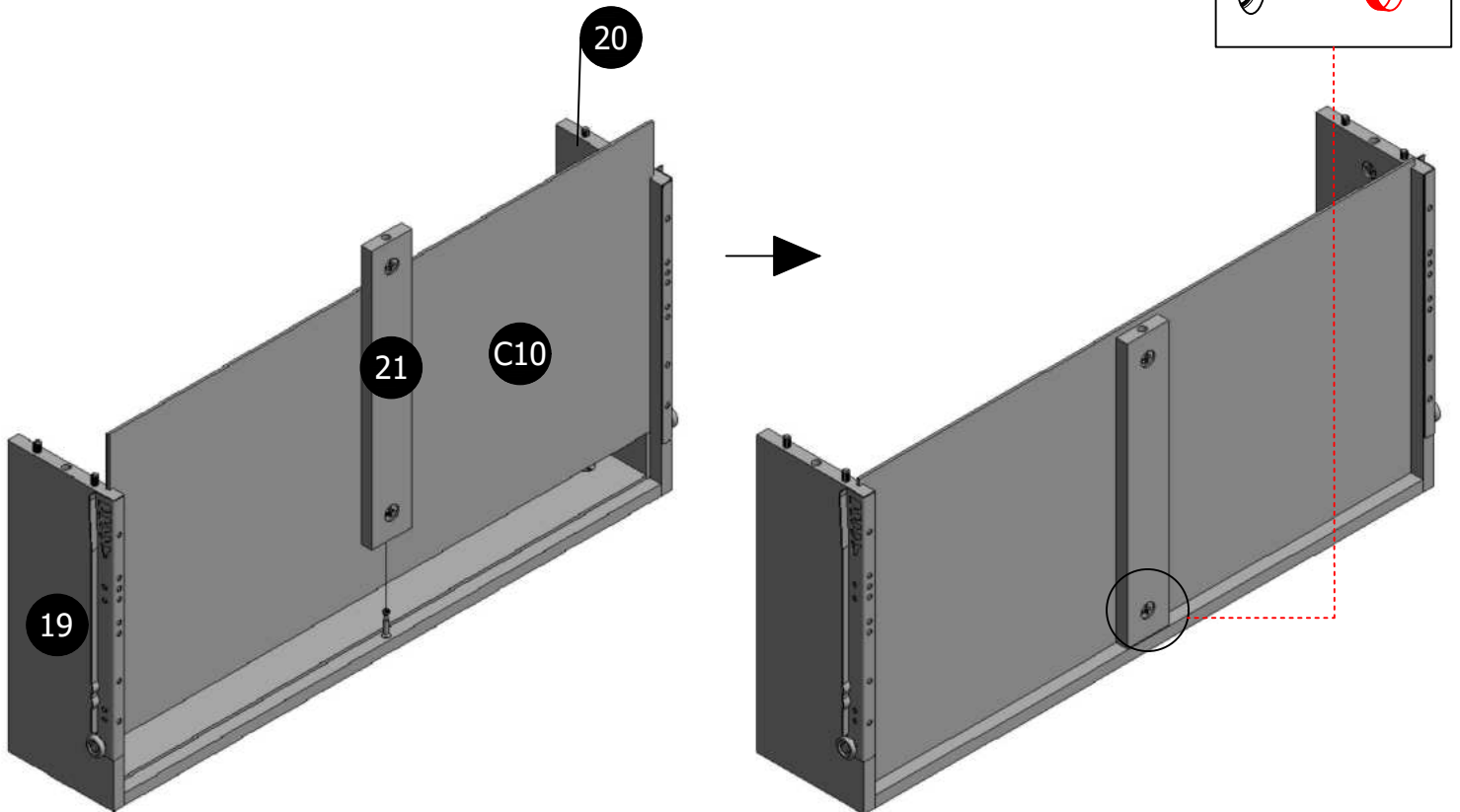
STEP 18

x 5



STEP 19

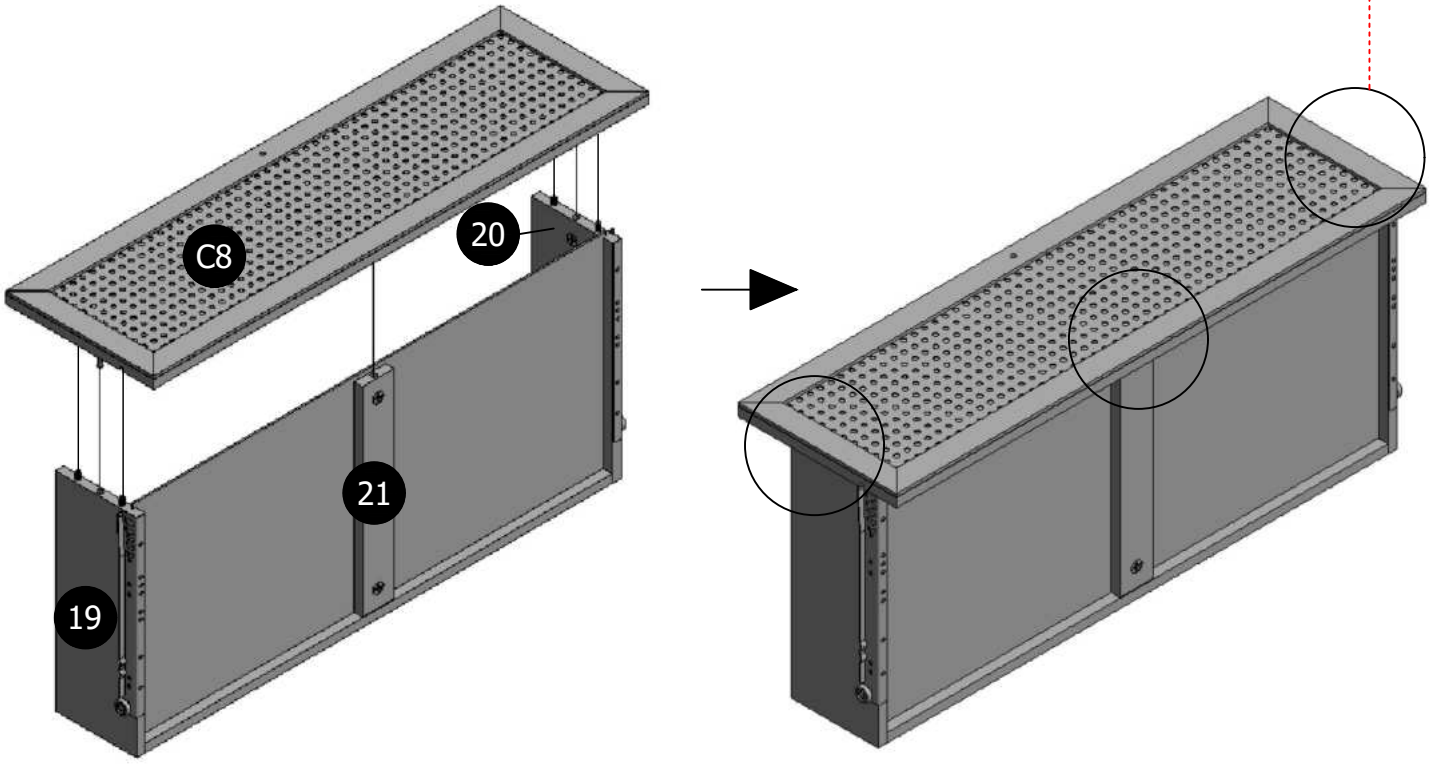
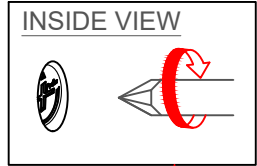
x 5



ASSEMBLY INSTRUCTION

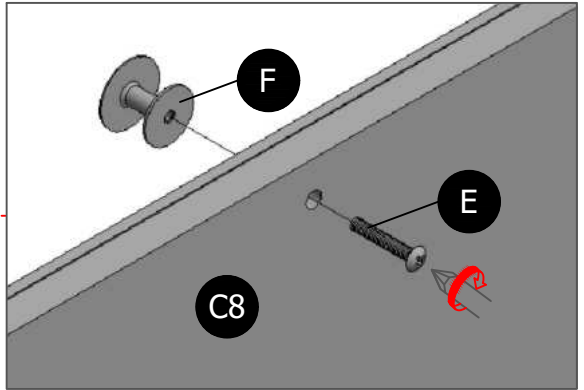
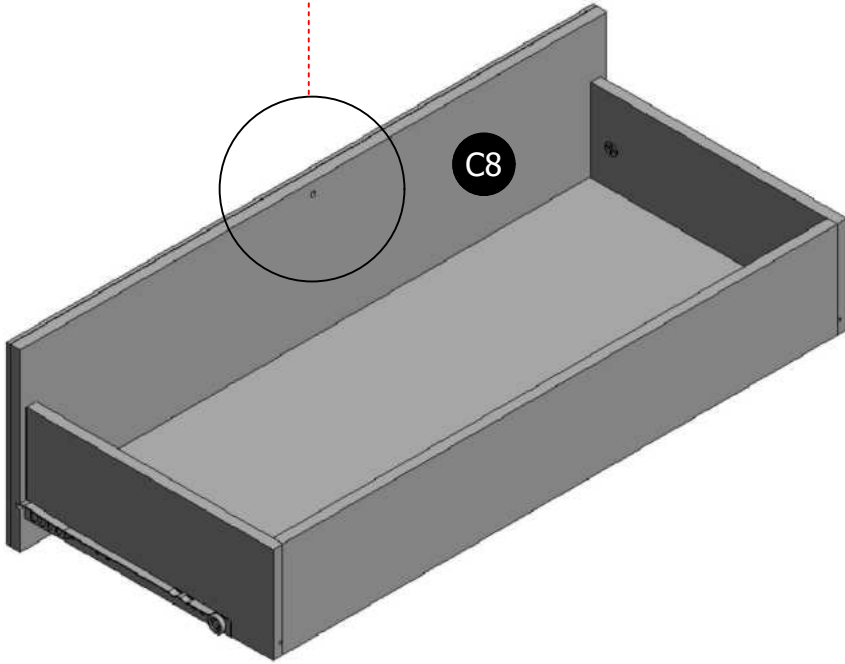
STEP 20

x 5



STEP 21

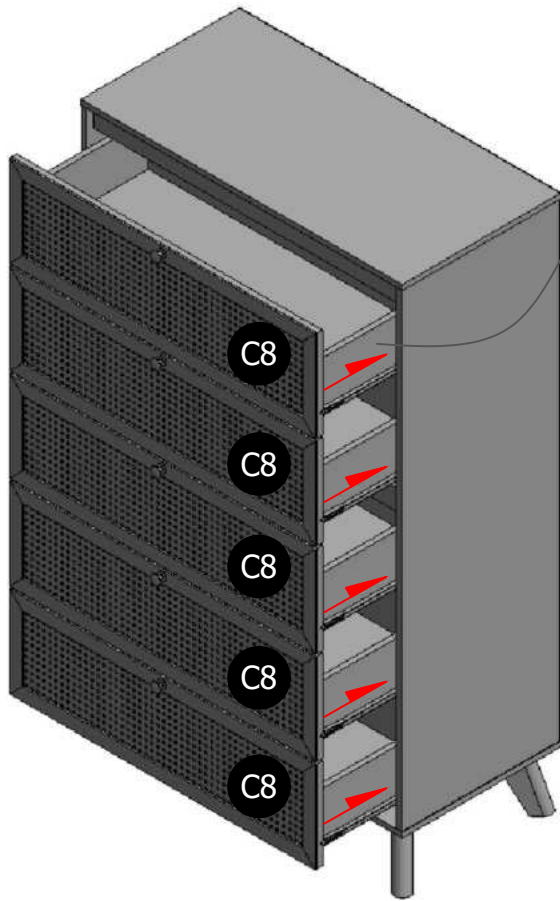
x 5



ASSEMBLY COMPLETED

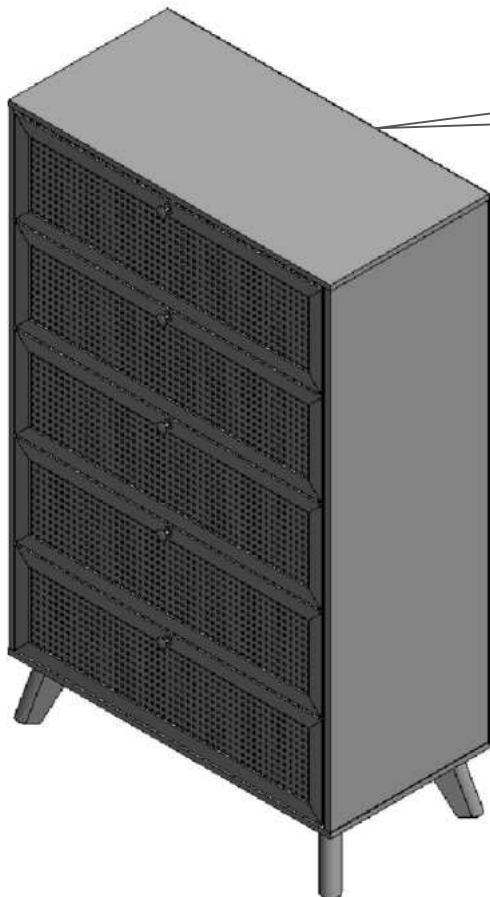
ASSEMBLY INSTRUCTION

STEP 22

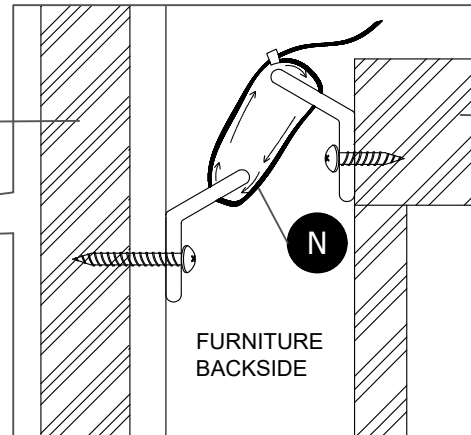


One of (20) with sticker
place it to the top of right side.

STEP 23



WALLBOARD AND STUD



FURNITURE
TOP

FURNITURE
BACKSIDE

ASSEMBLY COMPLETED