



Hi,

We would be grateful if you could share your experience with other customers by leaving a review. Your feedback helps us improve our products and services.

Your satisfaction is our top priority. If you have any questions or need assistance, please do not hesitate to contact us.



Thank you for purchasing this quality product. Be sure to check all packing material carefully for small parts which may have come loose inside the carton during shipment. Identify and count all parts and compare with the parts list below.

MOONLIGHT KID BUNK BED



IMPORTANT INFORMATION

Under normal use, our Bunk Bed will last for years.

It is, however, important to follow basic care tips to prolong the life of your Bunk Bed.

USE & CARE

Your Bunk Bed does not require special waxing or oiling. You may dust at any time with a clean, dry, soft cloth. If deeper cleaning is necessary, use a damp, non-abrasive cloth and a solution of cool water and mild detergent, immediately wipe dry.

Moisture and heat can damage the wood finish. To prevent moisture damage, promptly wipe up any spills or any other moisture. To prevent heat damage, avoid placing your Bunk Bed too close to heat sources such as HVAC vents and radiators.

Exposure to seasonal humidity, air, and sunlight may affect natural wood. To preserve the integrity and appearance of your Bunk Bed, maintain consistent humidity levels and avoid direct sunlight.

Avoid dragging sharp or rough objects across the surface of your wood Bunk Bed, or it will become scratched.

Ensure that your headboard is securely attached at all times, regularly check and tighten all screws and fittings to ensure safety during use.

Do not allow children under 6 years of age to use the upper bunk. Only one person is allowed on each level.

Do not allow horseplay on or under the bed and prohibit jumping on the bed. Prohibit more than one person on the upper bunk.

Always use the ladder for entering and leaving the upper bunk.

The use of water or sleep flotation mattresses is prohibited.

Any modification or failure to follow the recommended care will void the product warranty.

WARRANTY INFORMATION

Thank you for choosing us. We stand behind our brand and the quality of the items we sell.

The Bunk Bed comes with a 5-year limited manufacturing warranty that covers defects in material and workmanship, cracked wood not caused by dry or extreme heat, missing delivery parts or missing hardware, and scratches from shipping. The warranty does not cover normal wear and tear, for products used commercially or for failures caused by accidents, abuse, alteration, modification, misuse, and improper care. There are no other express warranties beyond the terms of this limited warranty. In no event shall any implied warranties, including merchantability and fitness of a particular purpose, extend beyond the duration of the express warranty contained herein. In no event shall we be liable for incidental or consequential damages.

All products are carefully inspected prior to shipment. Please carefully inspect your Bunk Bed at the time of delivery. Replacement parts or products will be sent at our discretion if the defect is the result of any fault on our side. Proof of purchase, with the date of purchase as well as photos of the defective merchandise, must be provided. Photos are used to determine the cause of defects and for future quality control.

If you notice anything out of the ordinary, please contact our Customer Service directly; or if you have any questions, comments, or concerns by emailing us or via our Contact Page.



WARNING! This product is not designed or manufactured to be used as permanent outdoor furniture. Prolonged exposure to the elements will cause premature deterioration of the product and void the warranty. Do not use bleach or any other abrasive cleaners as this will damage the product. Improper assembly, missing parts or use of the wrong type of fasteners may cause unsafe use and void the warranty. Use only the parts and fasteners supplied with the product. Do not substitute with other parts without the manufacturer's instructions. No claims for warranty will be processed if received after the warranty period.

Read all assembly and care instructions carefully before using this product. Save these instructions for future reference.

- Select a smooth, level surface to place the Bunk Bed parts.
- Assemble components on a soft, clean surface to avoid scratching and/or damaging the finish.
- Metal parts may have sharp edges—smooth them with a file or emery board. Keep children from handling or sucking metal parts. Plastic packaging poses a suffocation risk; never leave children or pets unattended with it. Dispose of packaging promptly and keep all parts out of their reach.
- Do not use the Bunk Bed if any structural part is broken or missing.
- This package contains small parts and need to check all parts before discarding packaging. Keep away from children during assembly. Adult assembly required. Store leftover screws out of children's reach.
- Children can become trapped between the bed and nearby structures such as walls, ceilings, roof slopes, or furniture. To prevent serious injury, the gap between the top safety rail and any adjacent structure must be either less than 75mm or greater than 230mm.

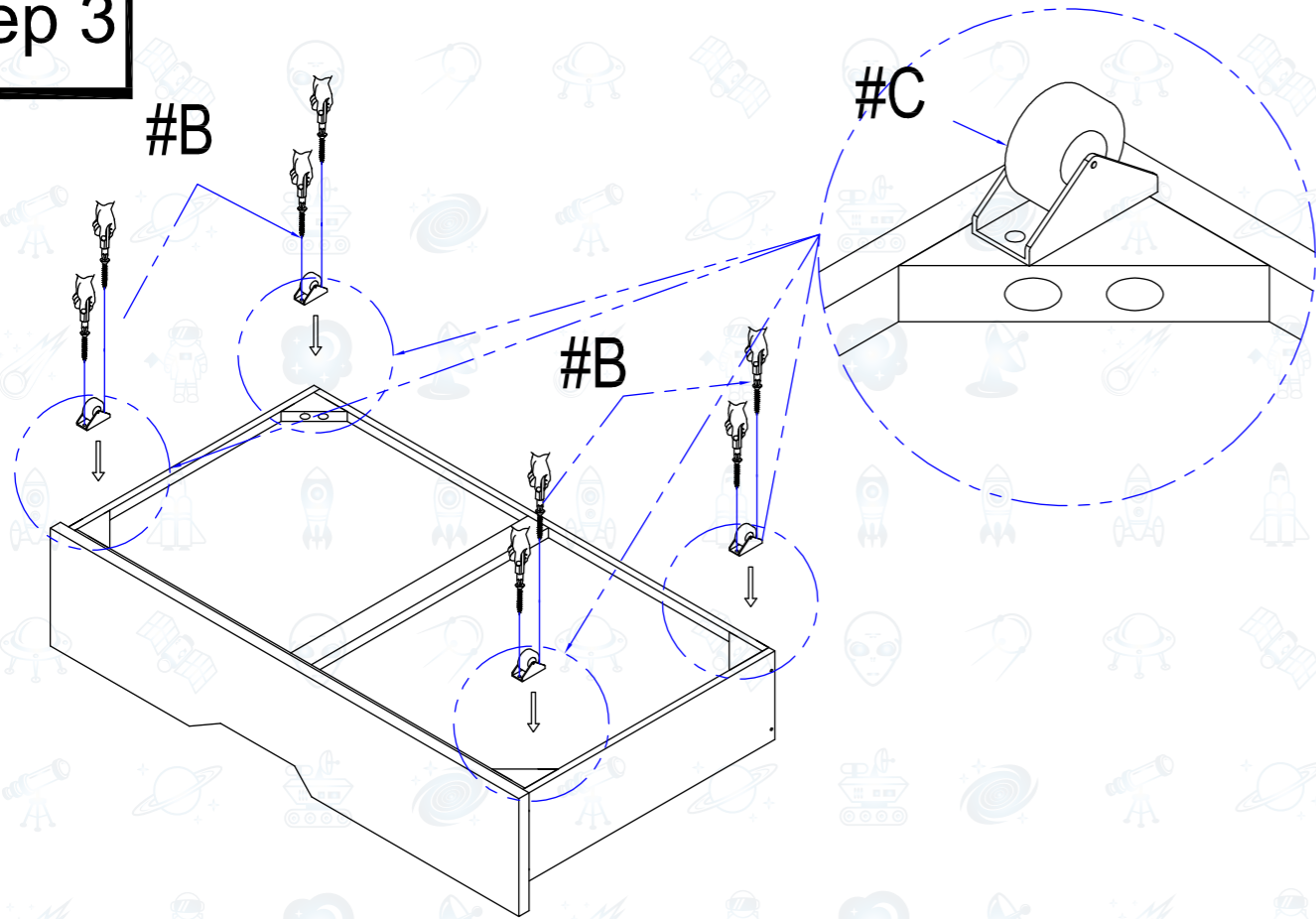
ASSEMBLY

Note: The Bunk Bed should be assembled by two (02) adults. If you assemble the Bunk Bed alone, be careful when lifting heavy parts. Ensure the assembly area is larger than the Bunk Bed. Follow the steps carefully to assemble the Bunk Bed correctly.

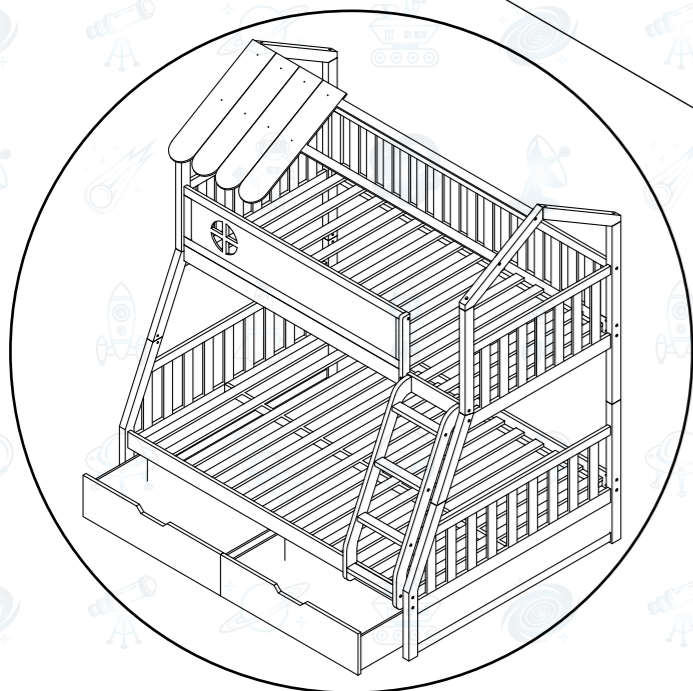
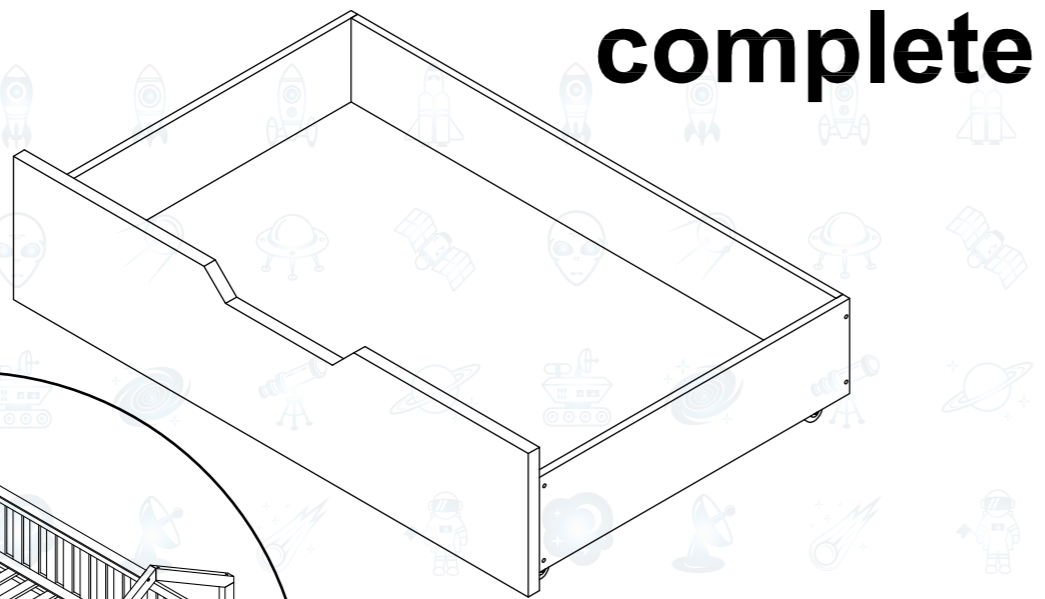
STRANGULATION HAZARD – Never hang or attach anything to the Bunk Bed that isn't specifically designed for it, such as hooks, belts, or jump ropes.



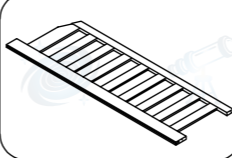
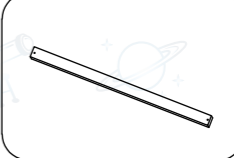
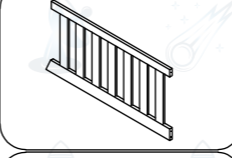
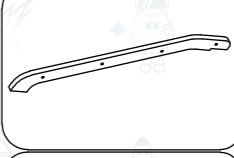
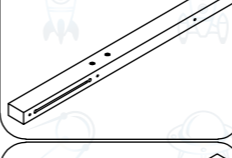
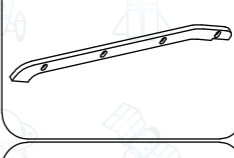
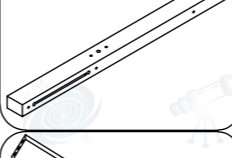
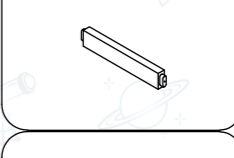
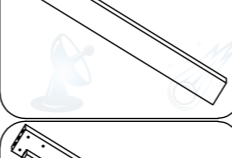
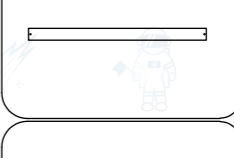
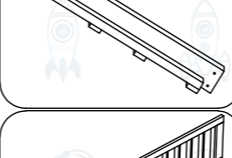
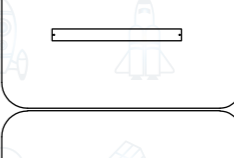
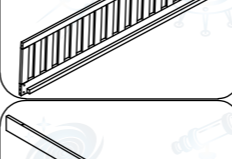
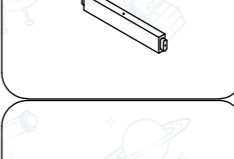

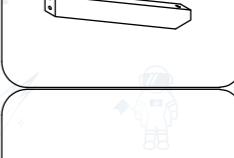
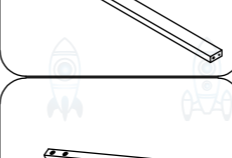

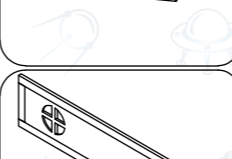
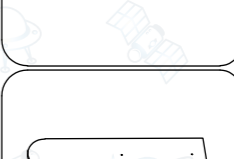


step 3

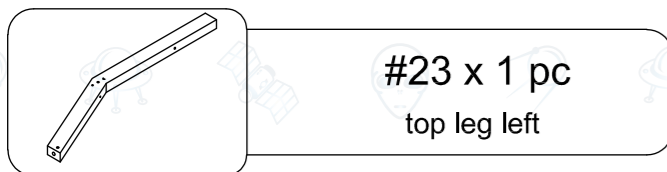


step 4

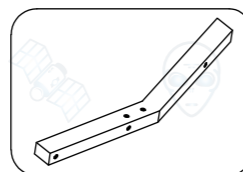


Parts List

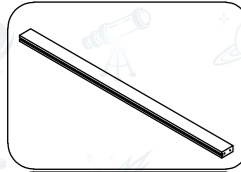
	#1 x 2pcs Lower left/right side panel		#12 x 1 pc Center rail
	#2 x 2pcs Lower right side panel		#13 x 1pc Ladder(Left)
	#3 x 1pc bottom leg left		#14 x 1pc Ladder(Right)
	#4 x 1pc bottom leg right		#15 x 3 pcs Ladder Steps
	#5 x 1pc Back Low Side Rails		#16 x 14 pcs Slats (long)
	#6 x 1pc Front bottom Side Rails		#17 x 14 pcs Slats (short)
	#7 x 1 pc Back Guardrail Bars		#18 x 1 pc Ladder Steps
	#8 x 1 pc Front /Back Guardrail Bars		#19 x 2pcs Roof bar(back)
	#9 x 2 pcs Roof Center bar		#20 x 1pc Roof bar(Left)
	#10 x 1 pc Front Guard rail		#21 x 1pc Roof bar(right)
	#11 x 2 pcs Front Guard rail		#22 x 4 pcs Front Guard rail



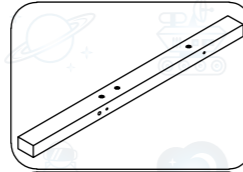
#23 x 1 pc
top leg left



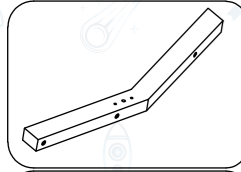
#27 x 1 pc
bottom leg right



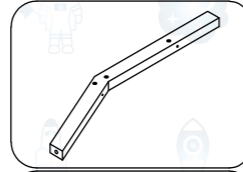
#24 x 2 pcs



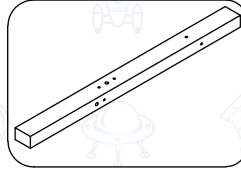
#28 x 1 pc
top leg left



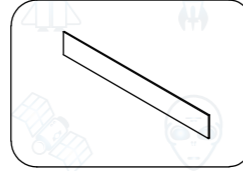
#25 x 1 pc
bottom leg left



#29 x 1 pc
top leg right

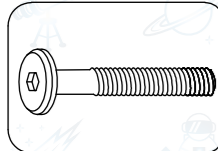


#26 x 1 pc
top leg right



#30 x 2 pcs
panel

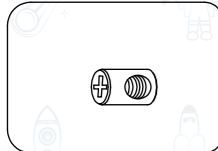
Hardware List



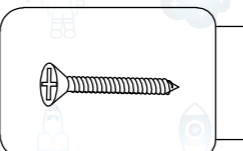
#A x 16 pcs
BOLT 1/4 X 80 (F13)



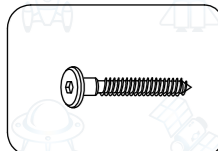
#H x 1 pc
Allen Wrench M4



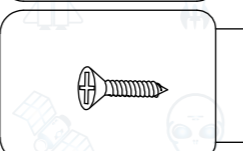
#B x 16 pcs
BOLT Ø10 X13



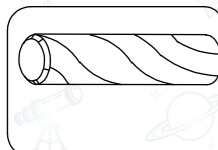
#I x 64 pcs
Wood Screw Ø4 x 30



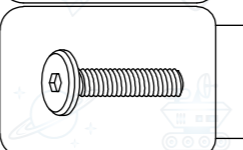
#C x 11 pcs
BOLT Ø6 x 50 (F13)



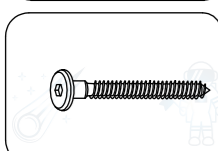
#J x 8 pcs
Wood Screw Ø3.5 x 15



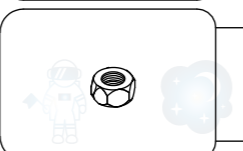
#D x 4 pcs
Ø15 x 70



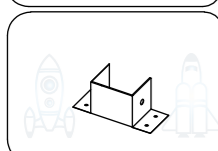
#K x 4 pcs
BOLT 1/4 X 40



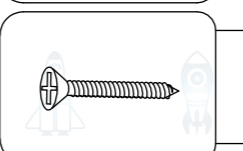
#E x 12 pcs
BOLT Ø6 x 80 (F13)



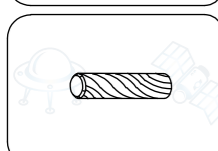
#L x 2 pcs
Hex Nut (1/4 x M6)



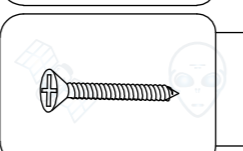
#F x 2 pcs
Center Rail Bracket



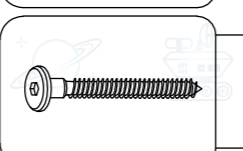
#M x 2 pcs
Wood Screw Ø4 x 40



#G x 28 pcs
Ø10 x 40

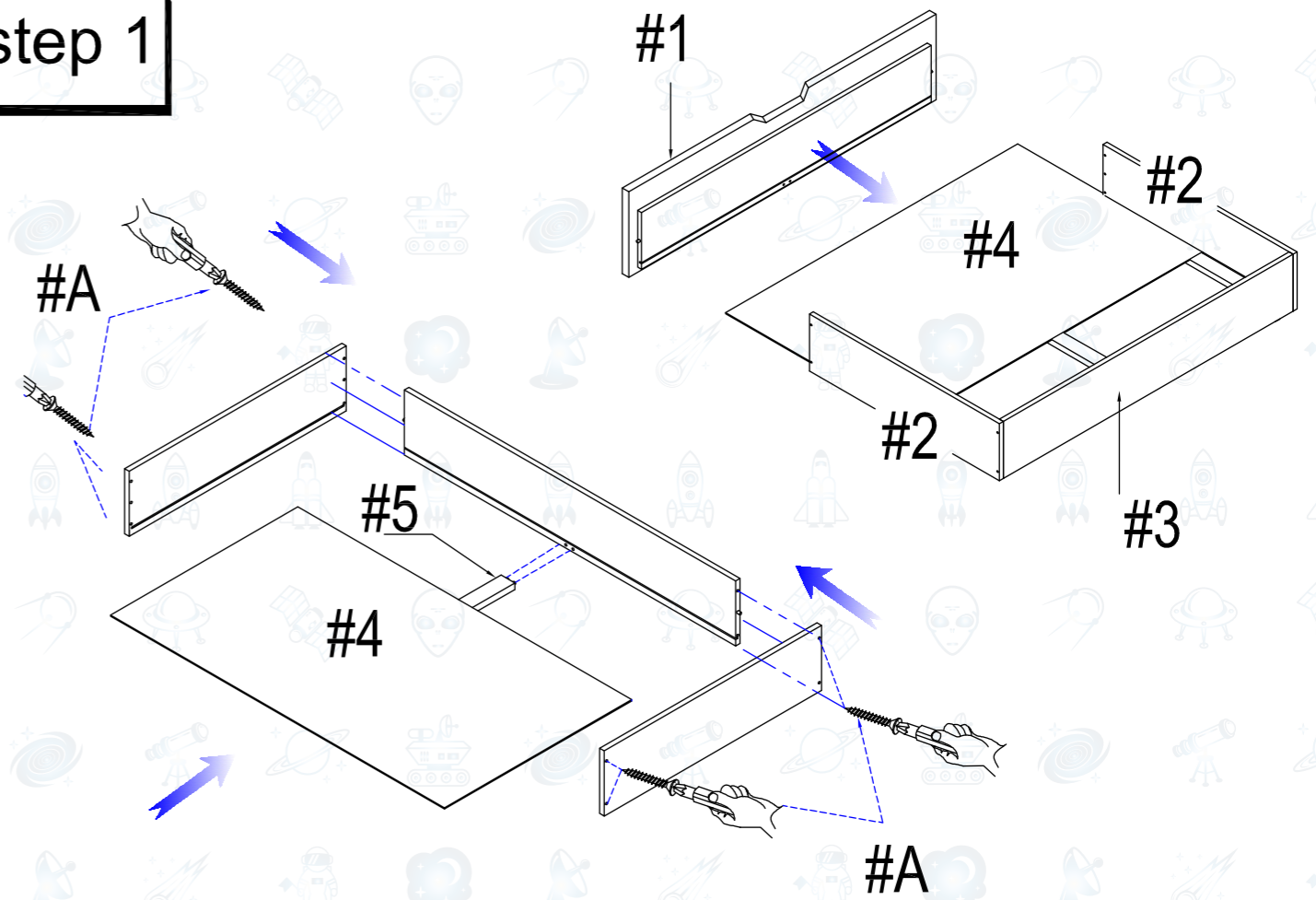


#N x 8 pcs
Wood Screw Ø4 x 25

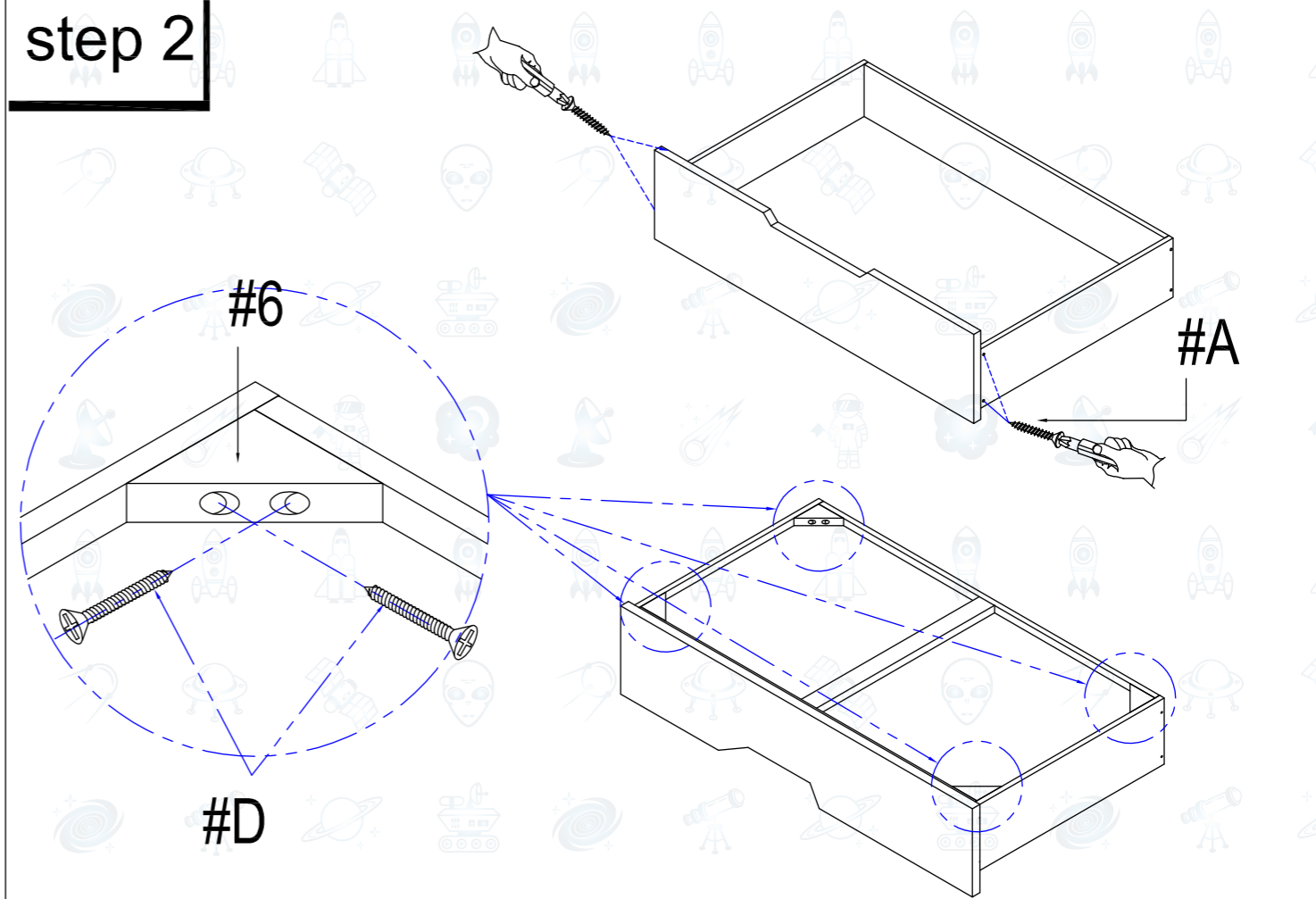


#O x 20 pcs
BOLT Ø6 x 100 (F13)

step 1

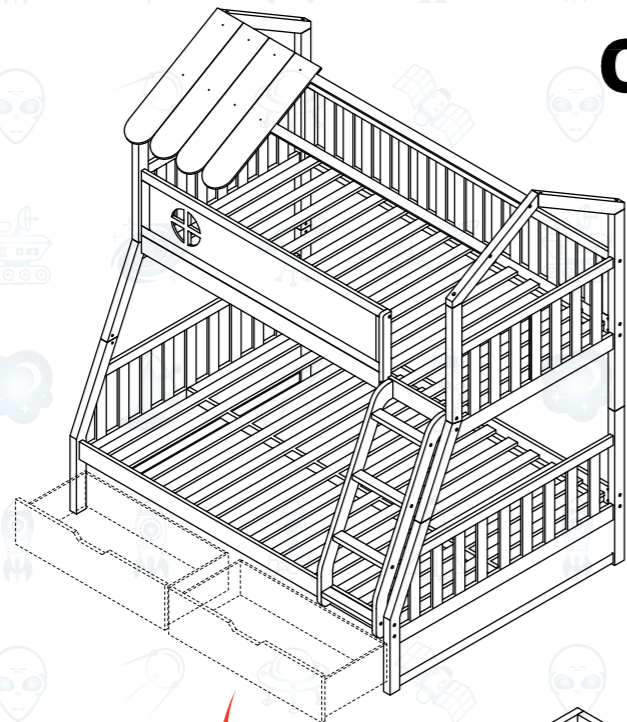


step 2

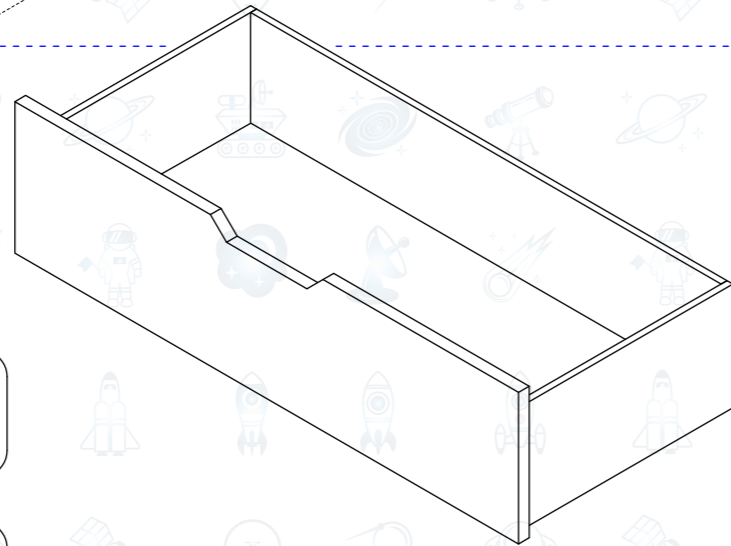


step23

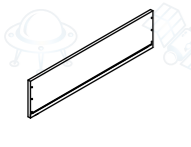
complete

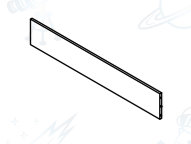


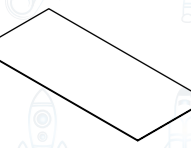
Parts List



 #1 x 2 pcs
Front bottom Side Rails

 #2 x 4 pcs
Front bottom Side Rails(L&R)


 #3 x 2 pcs
BACK Side Rails(L&R)

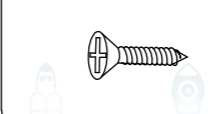
 #4 x 2 pcs
PANEL


 #5 x 2 pcs
CENTER

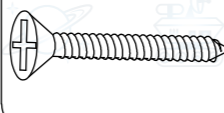
 #6 x 8 pcs

Hardware List

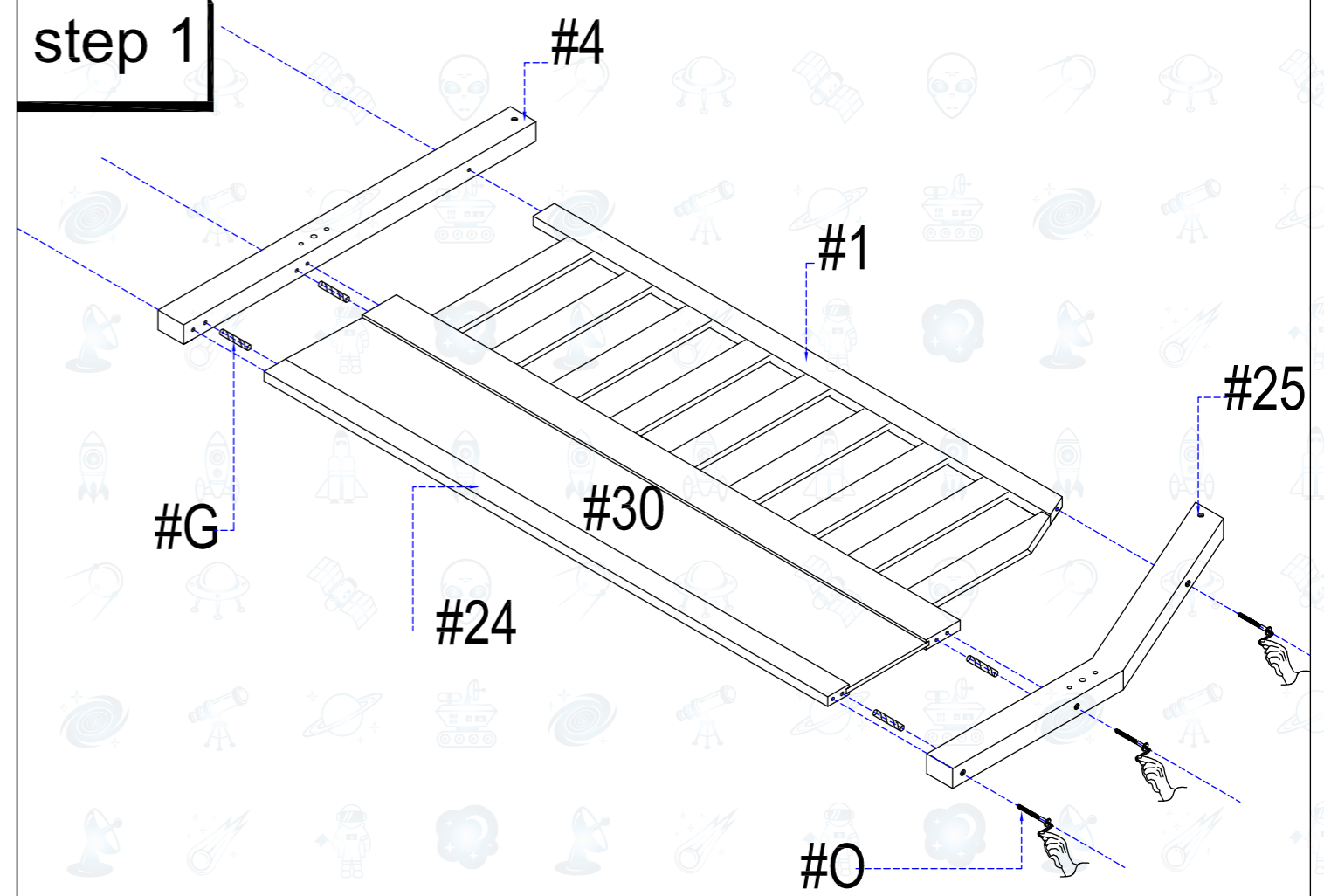
 #A x 16 pcs
Wood Screw Ø4 x 30

 #B x 16 pcs
Wood Screw Ø3.5 x 15

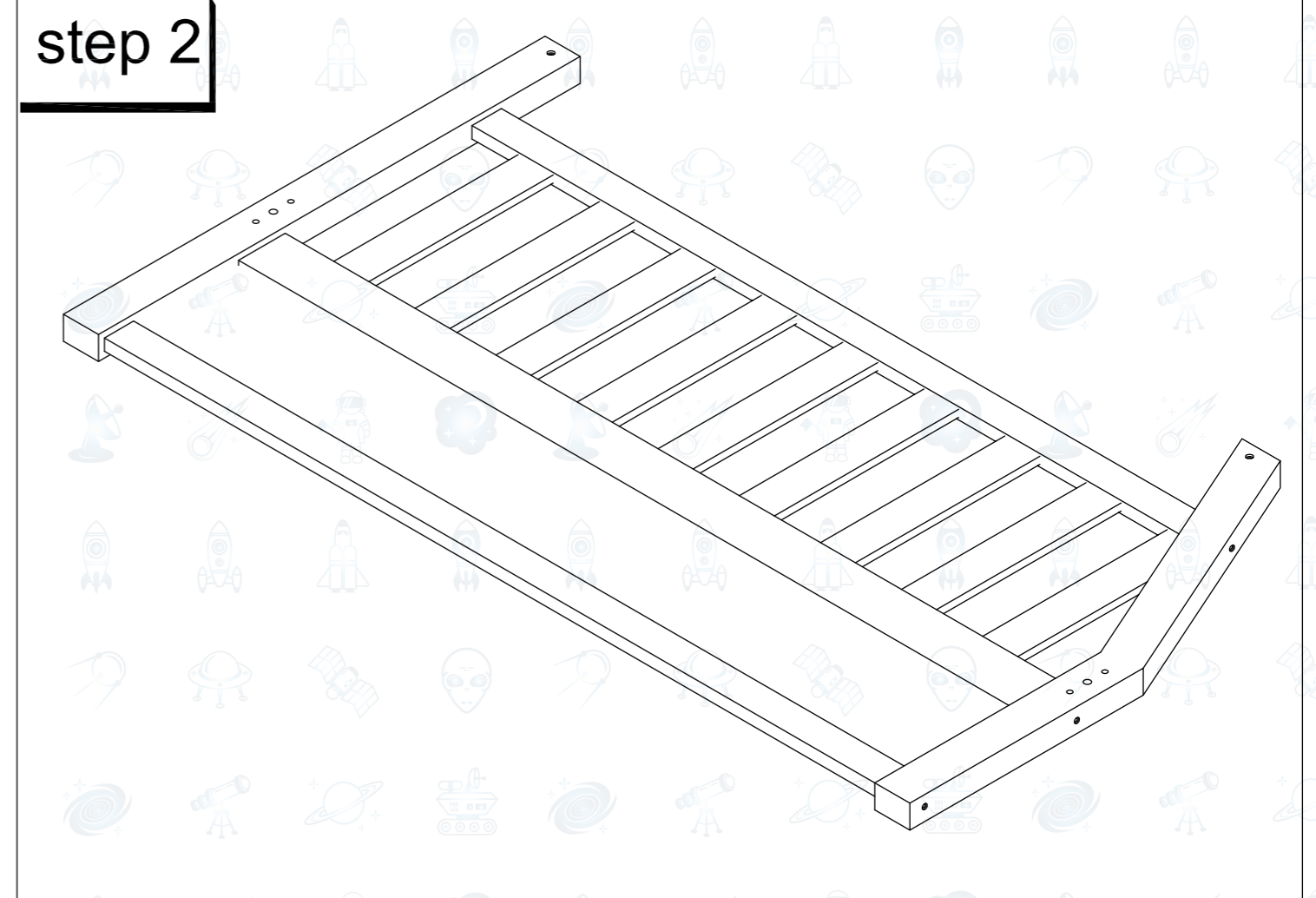
 #C x 8 pcs
WHEEL

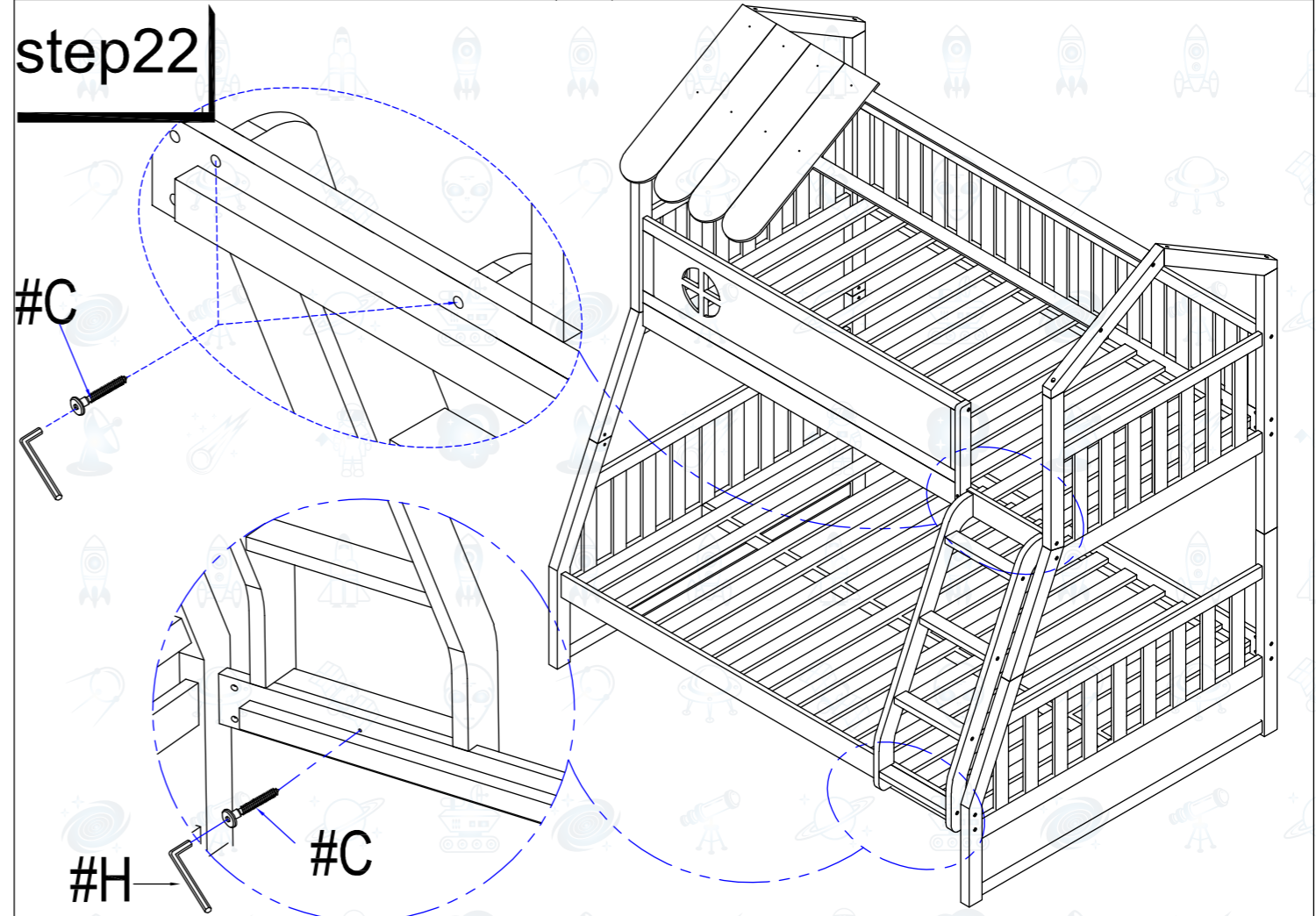
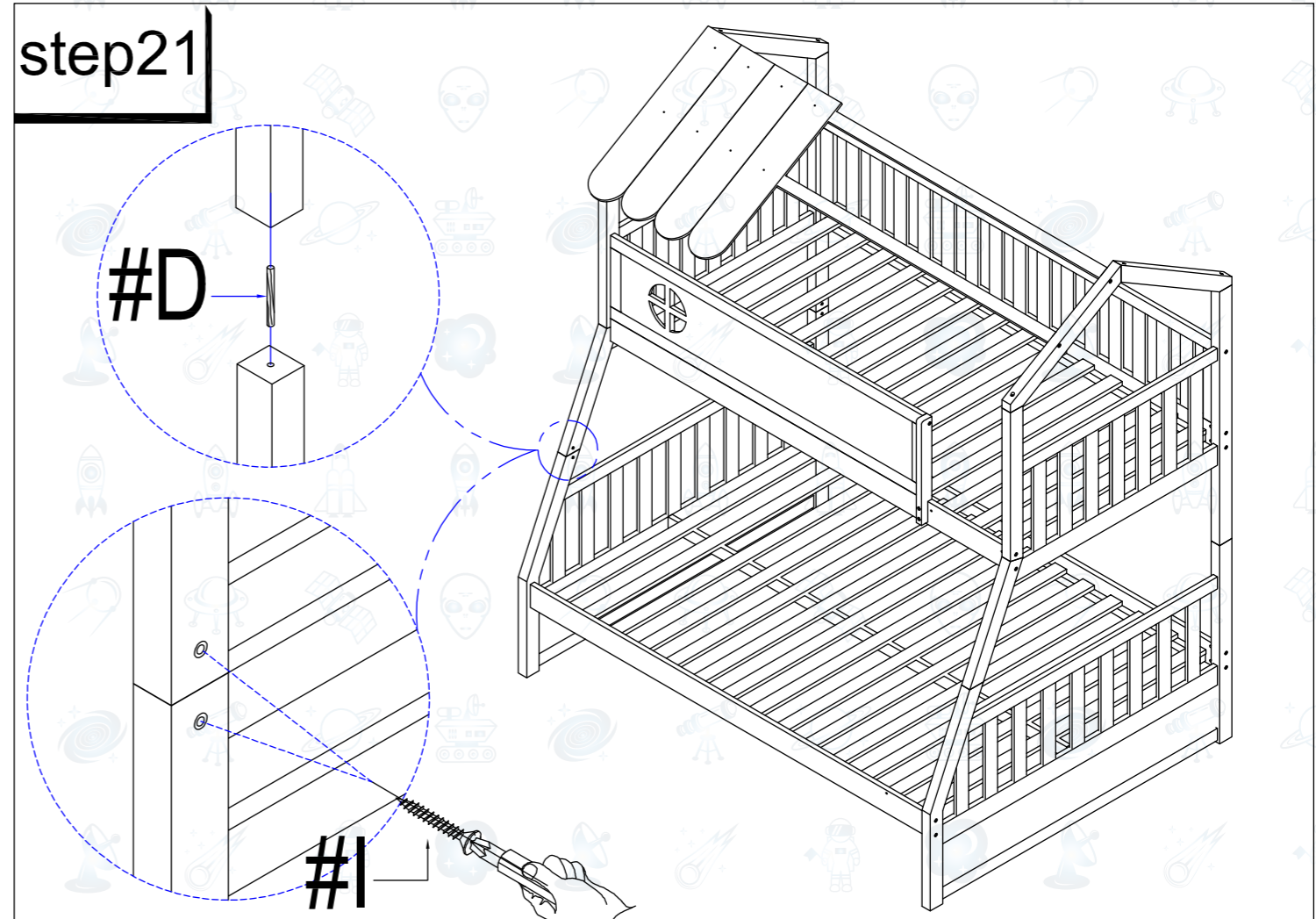
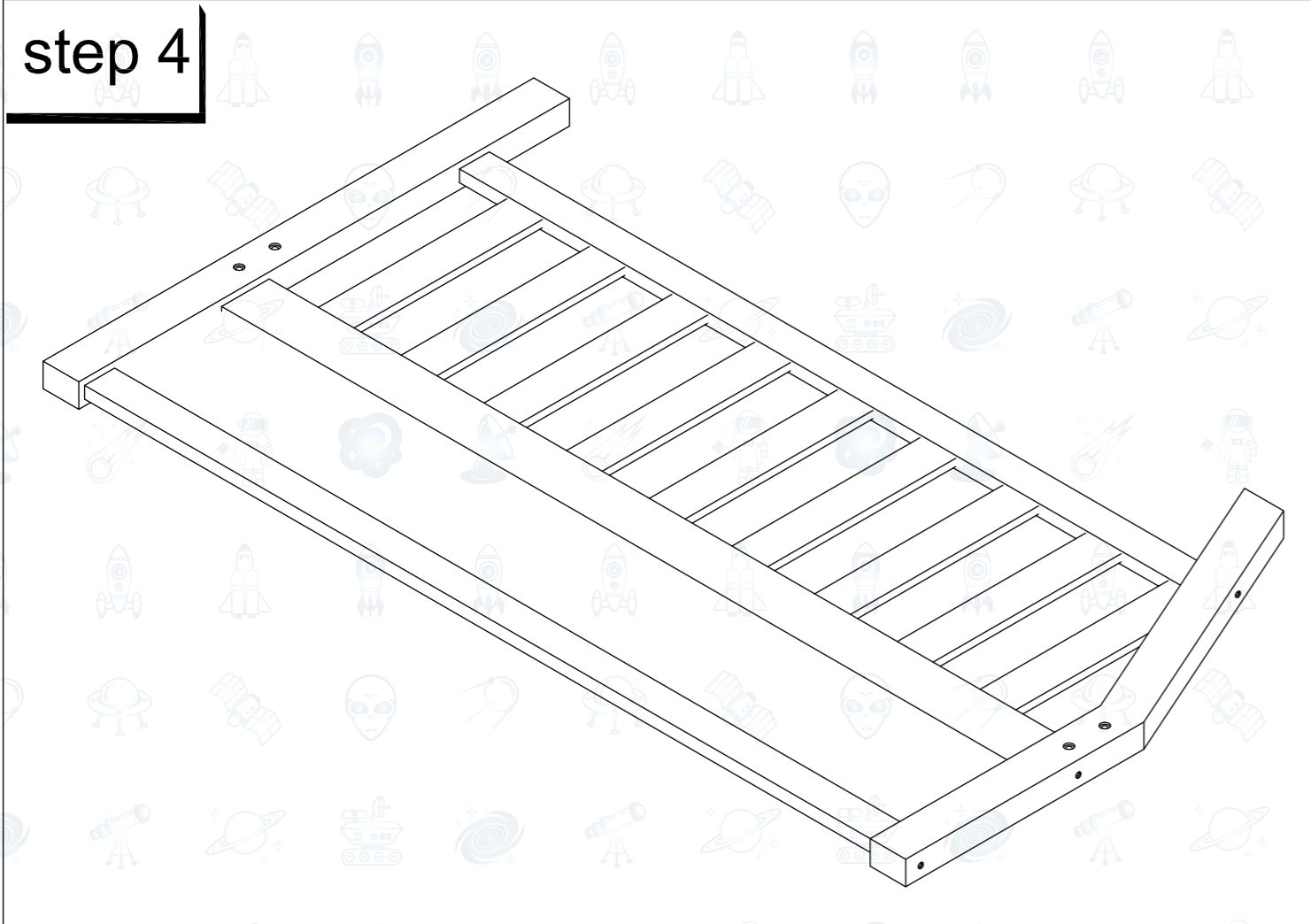
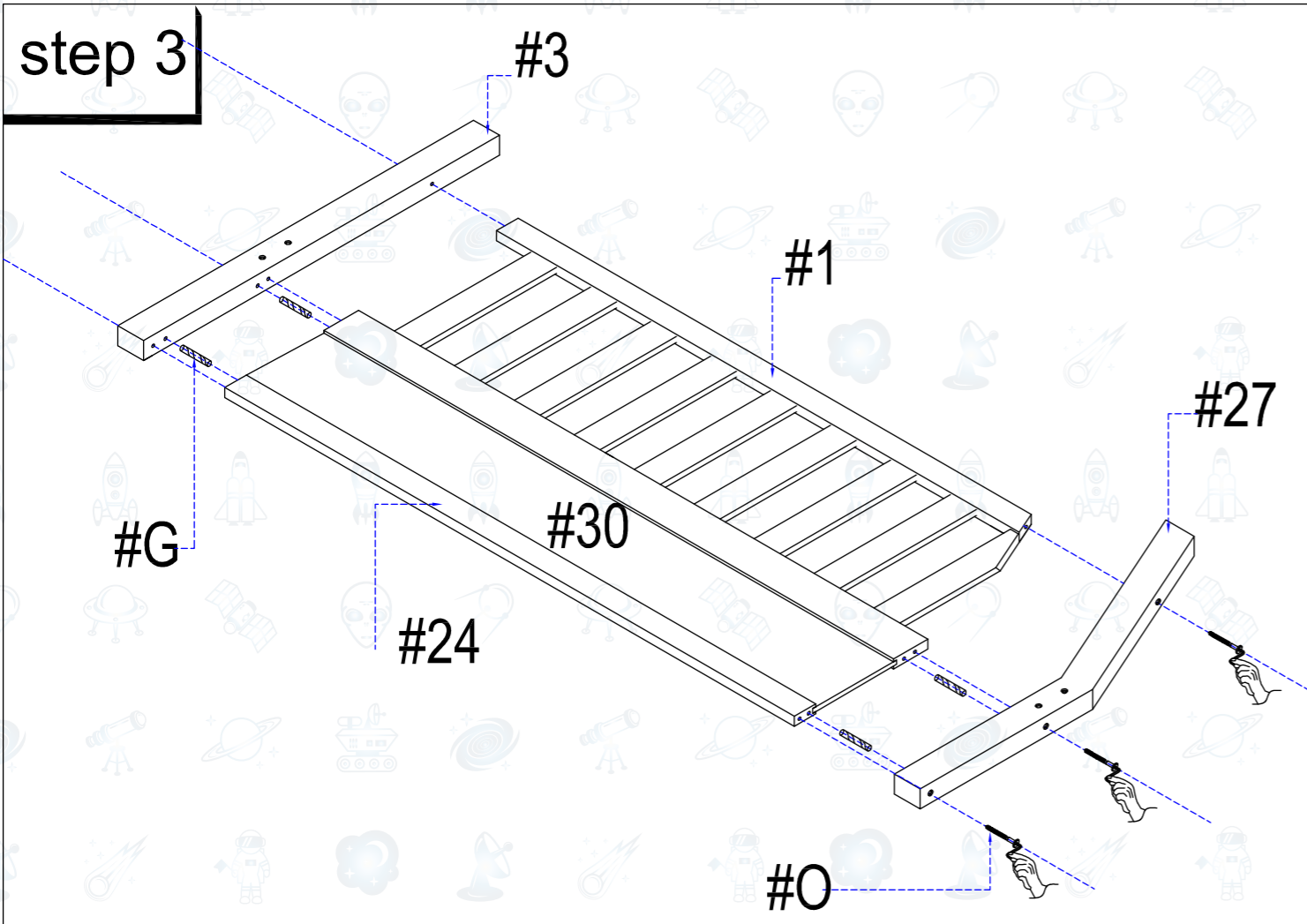
 #D x 16 pcs
Wood Screw Ø4 x 30

step 1

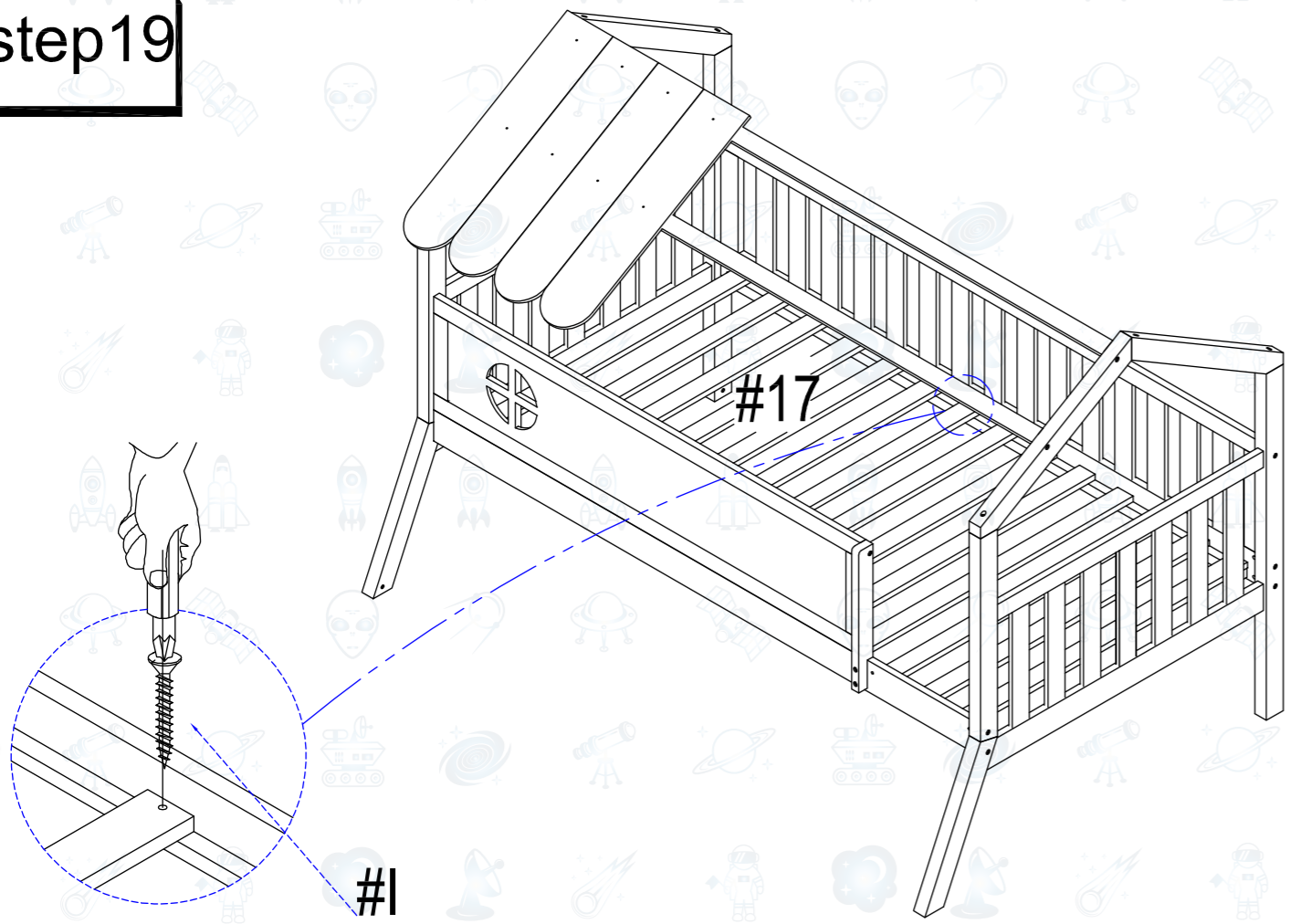


step 2

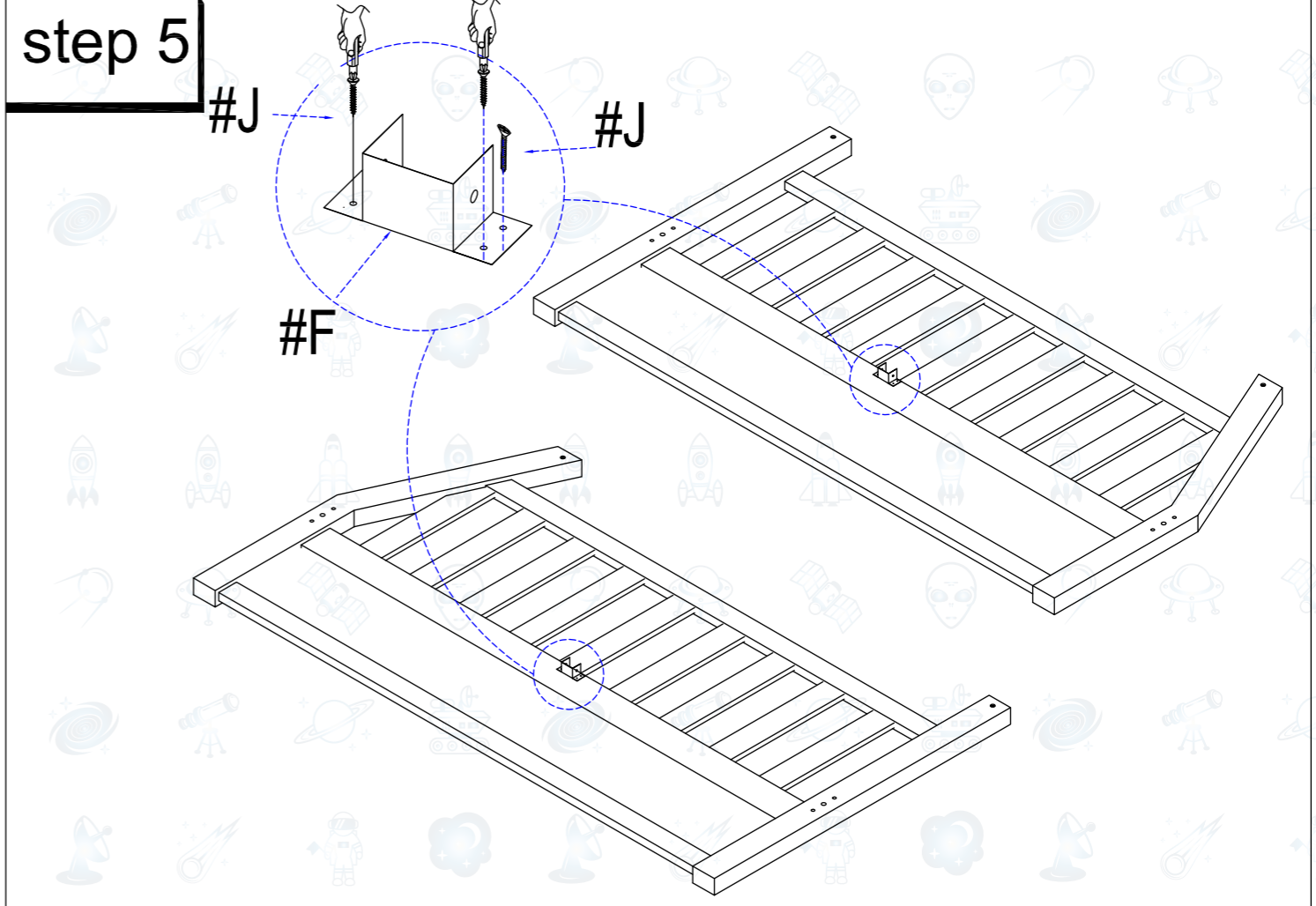




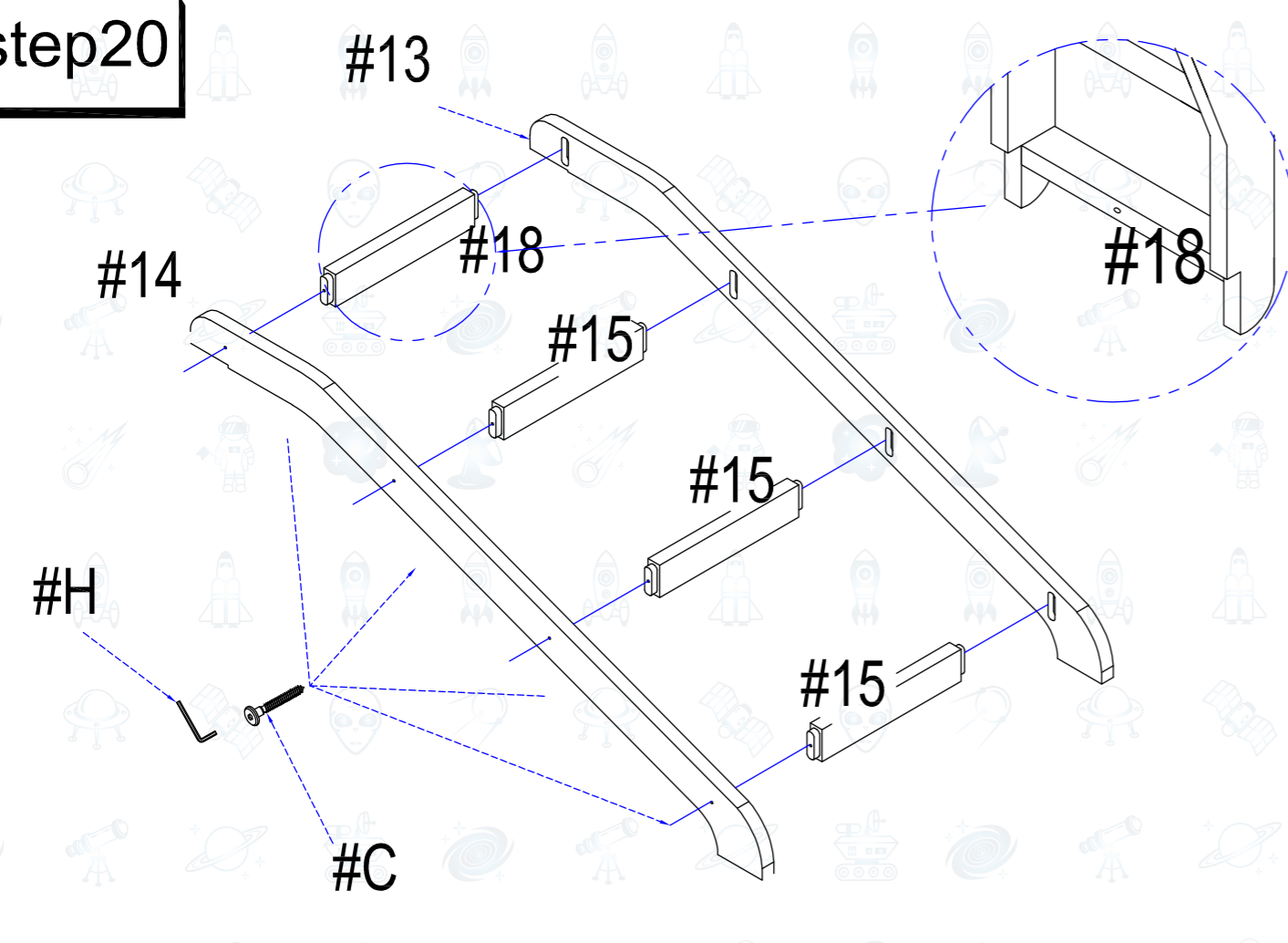
step 19



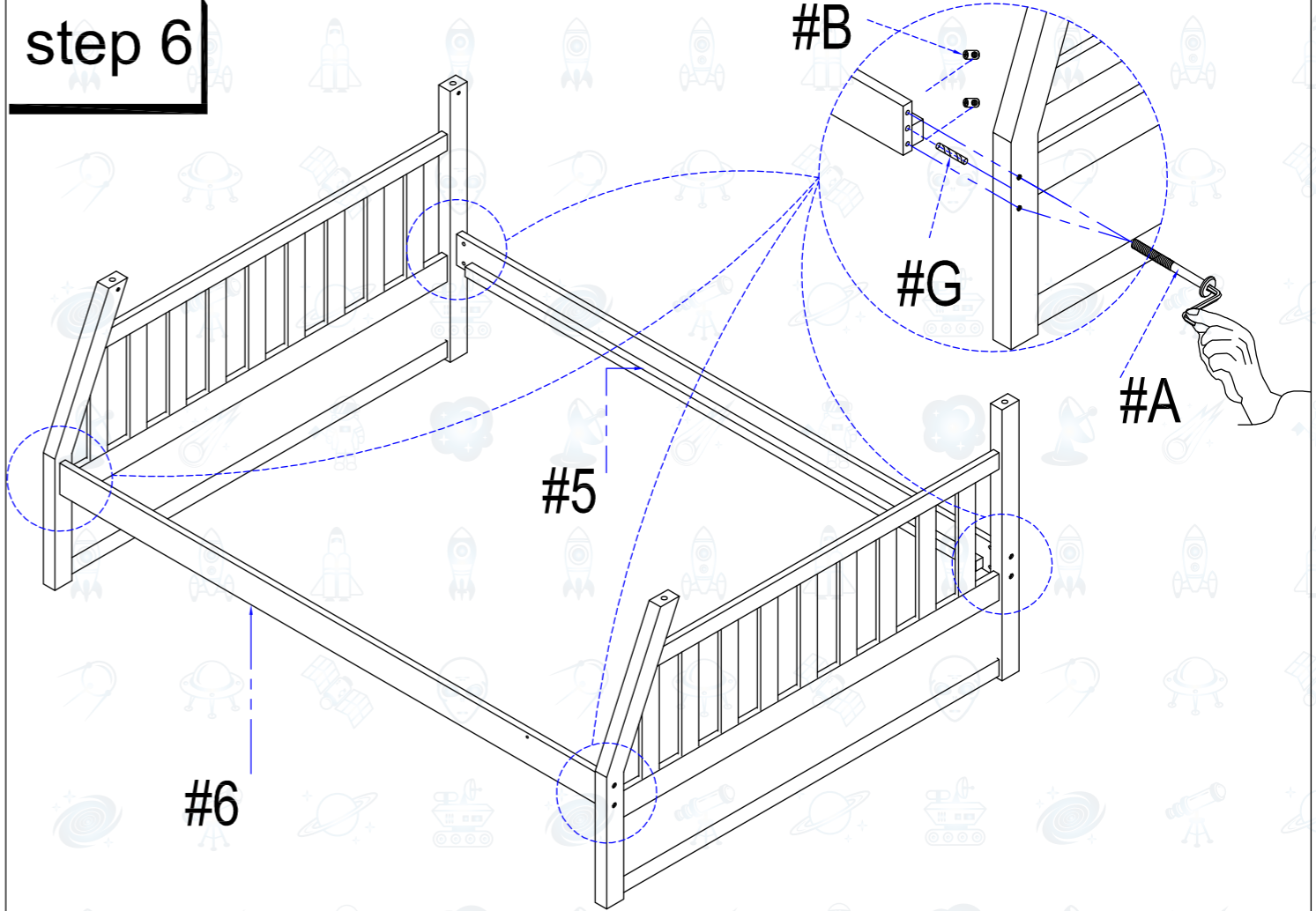
step 5



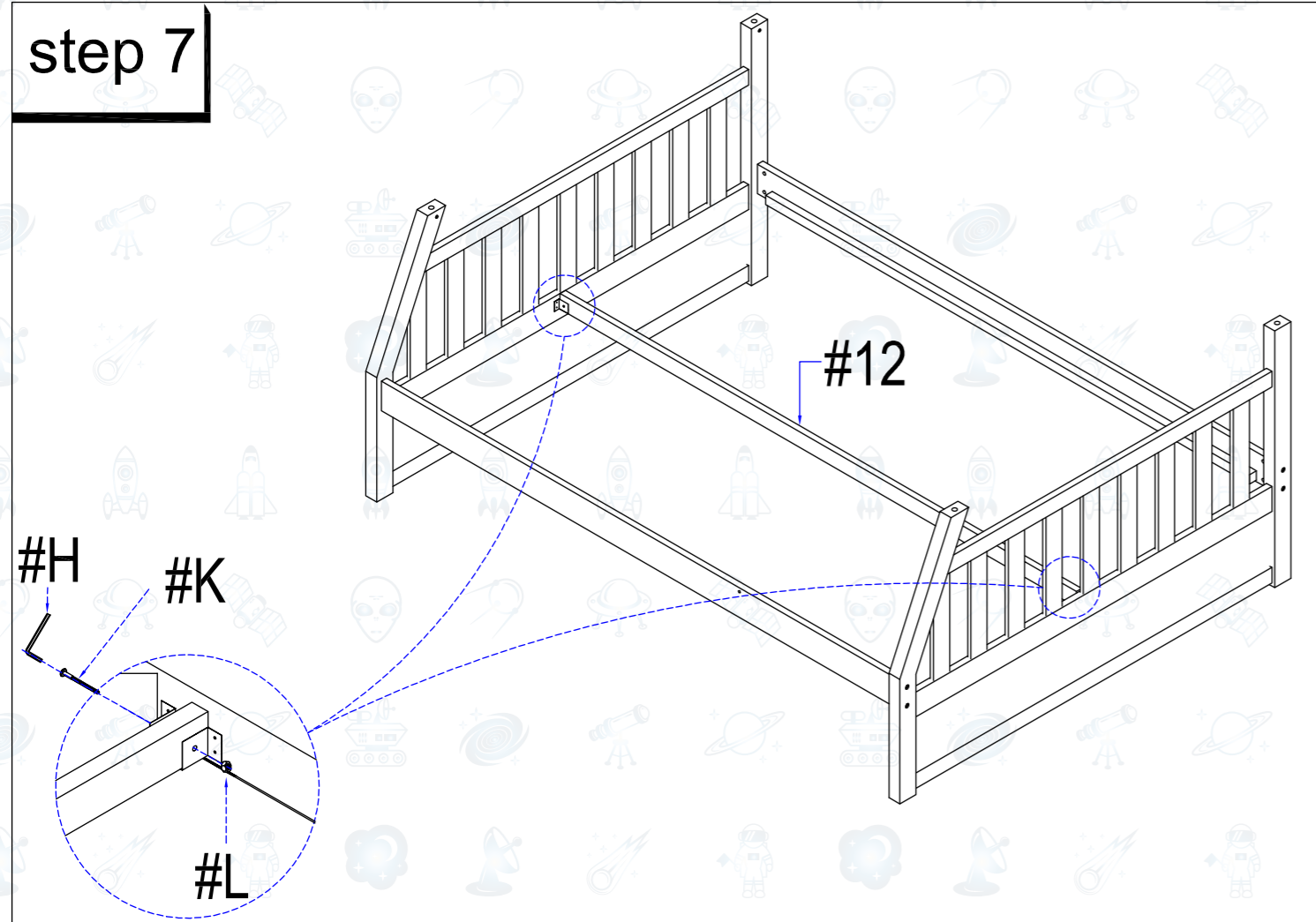
step 20



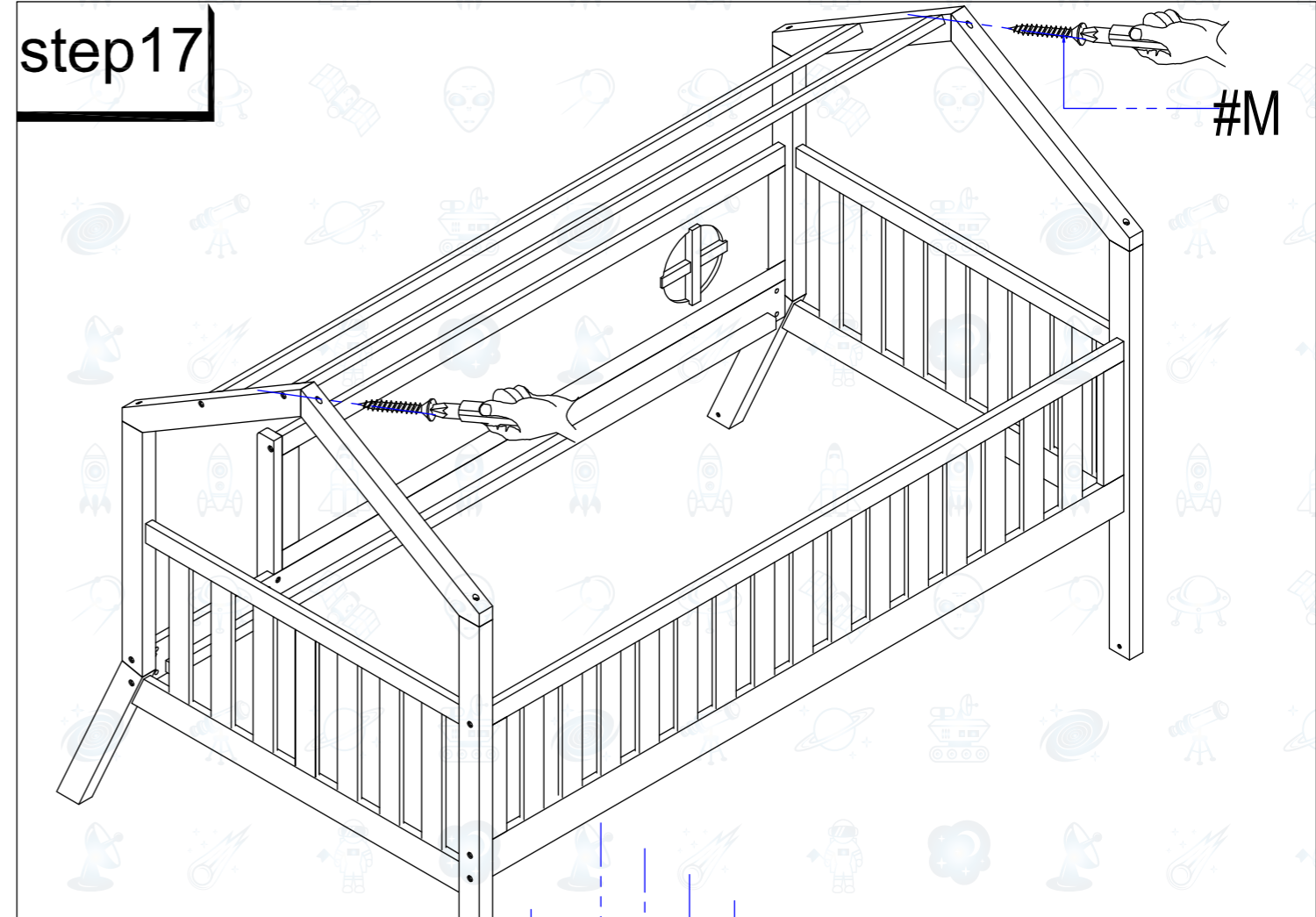
step 6



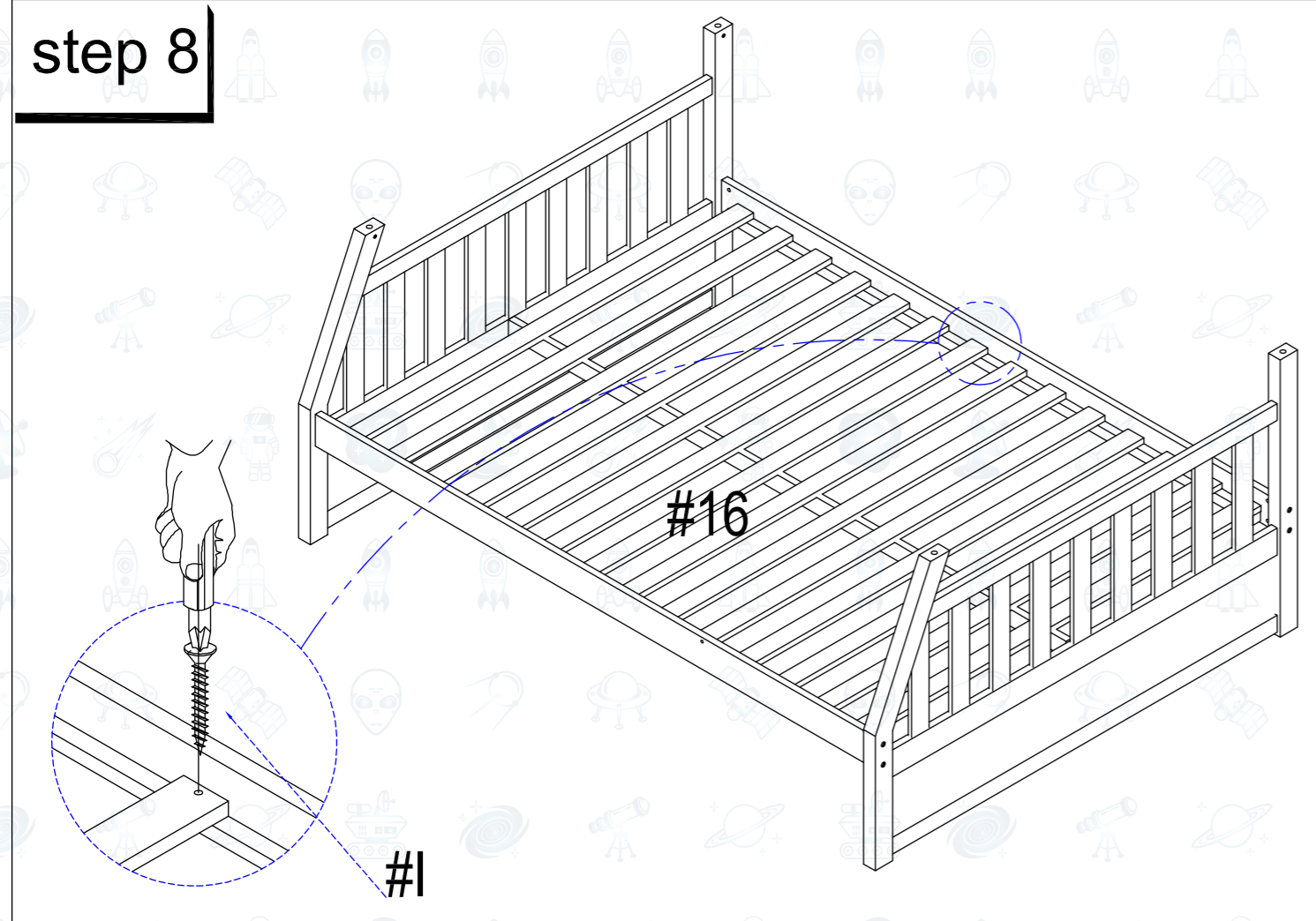
step 7



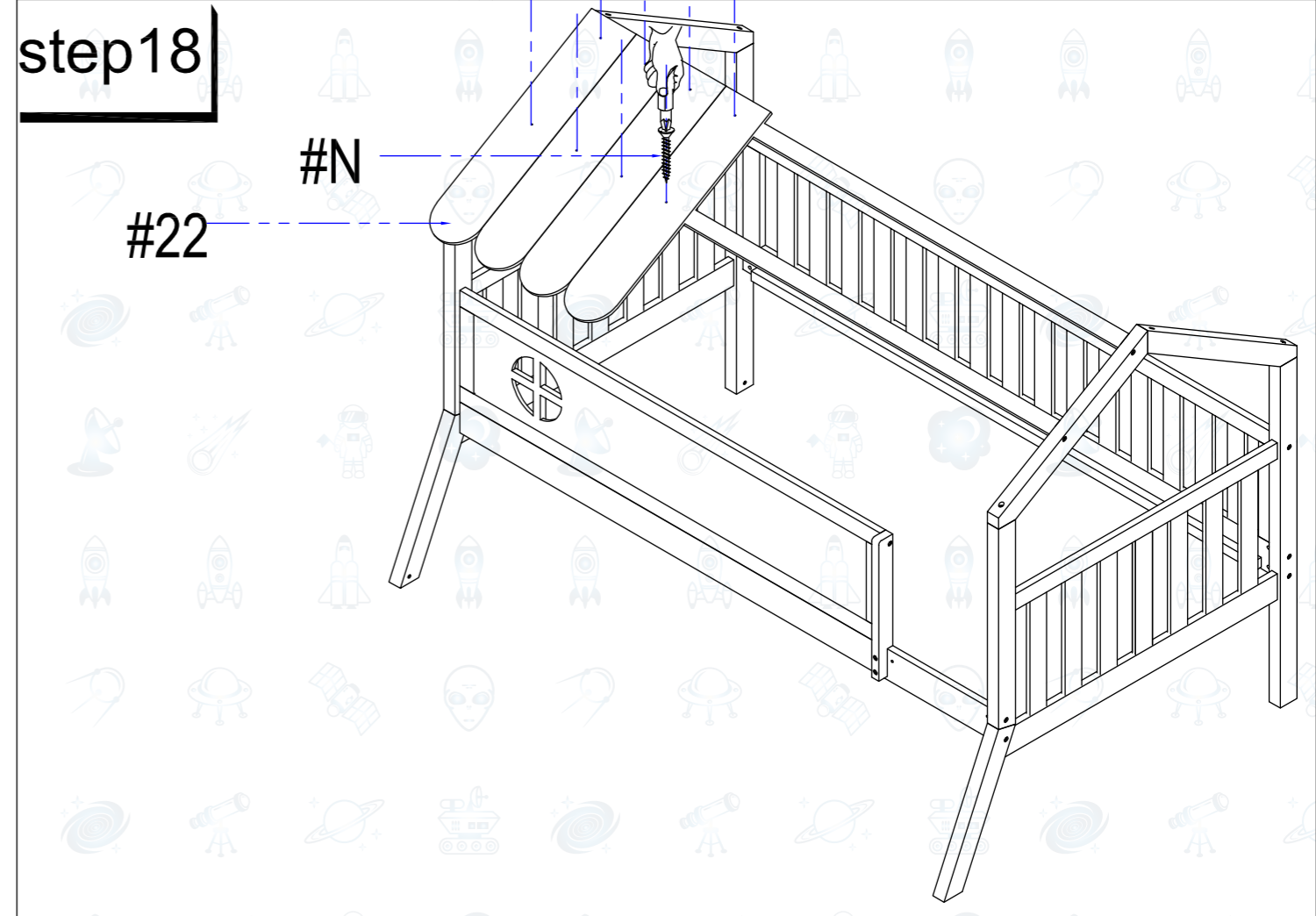
step 17



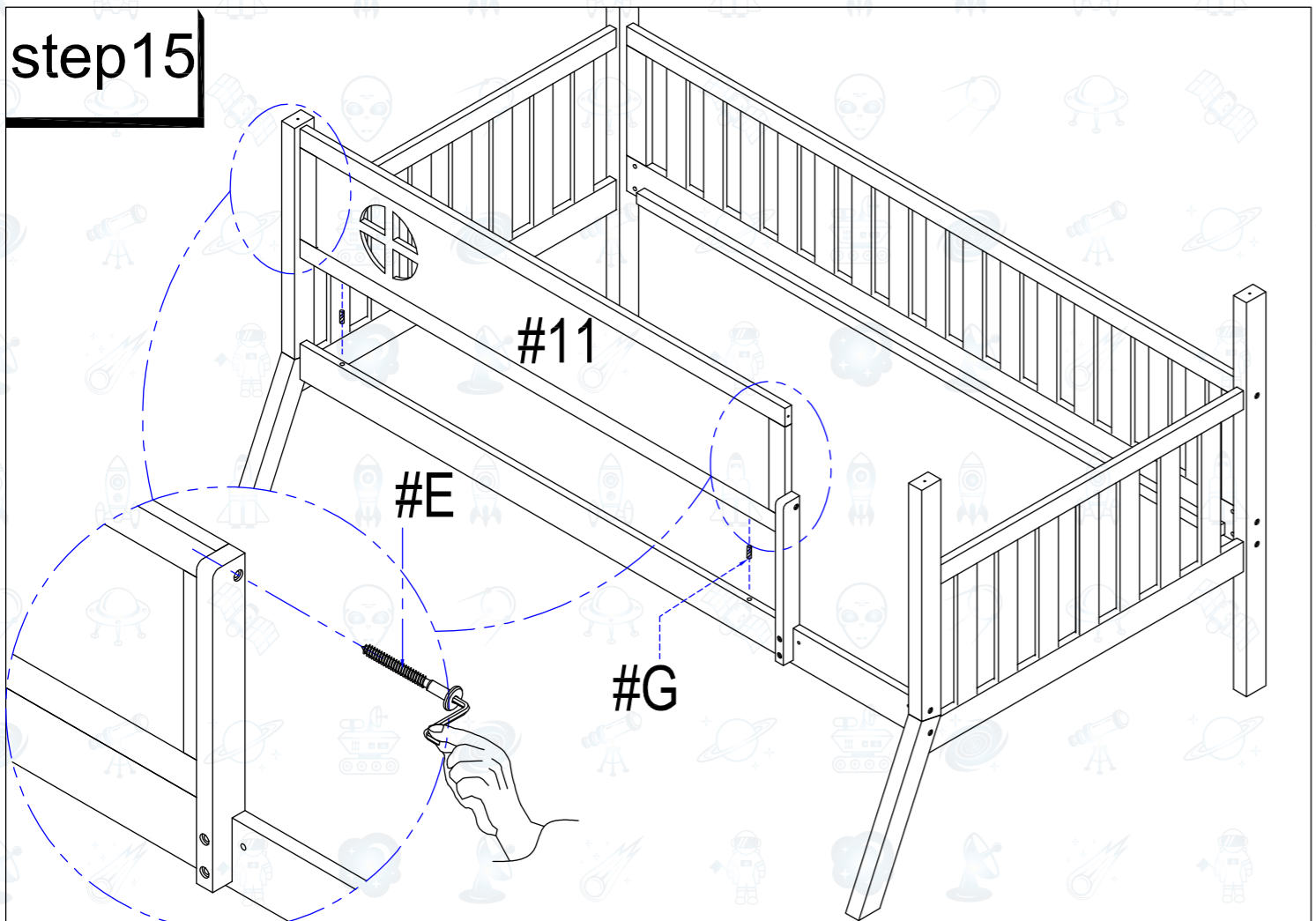
step 8



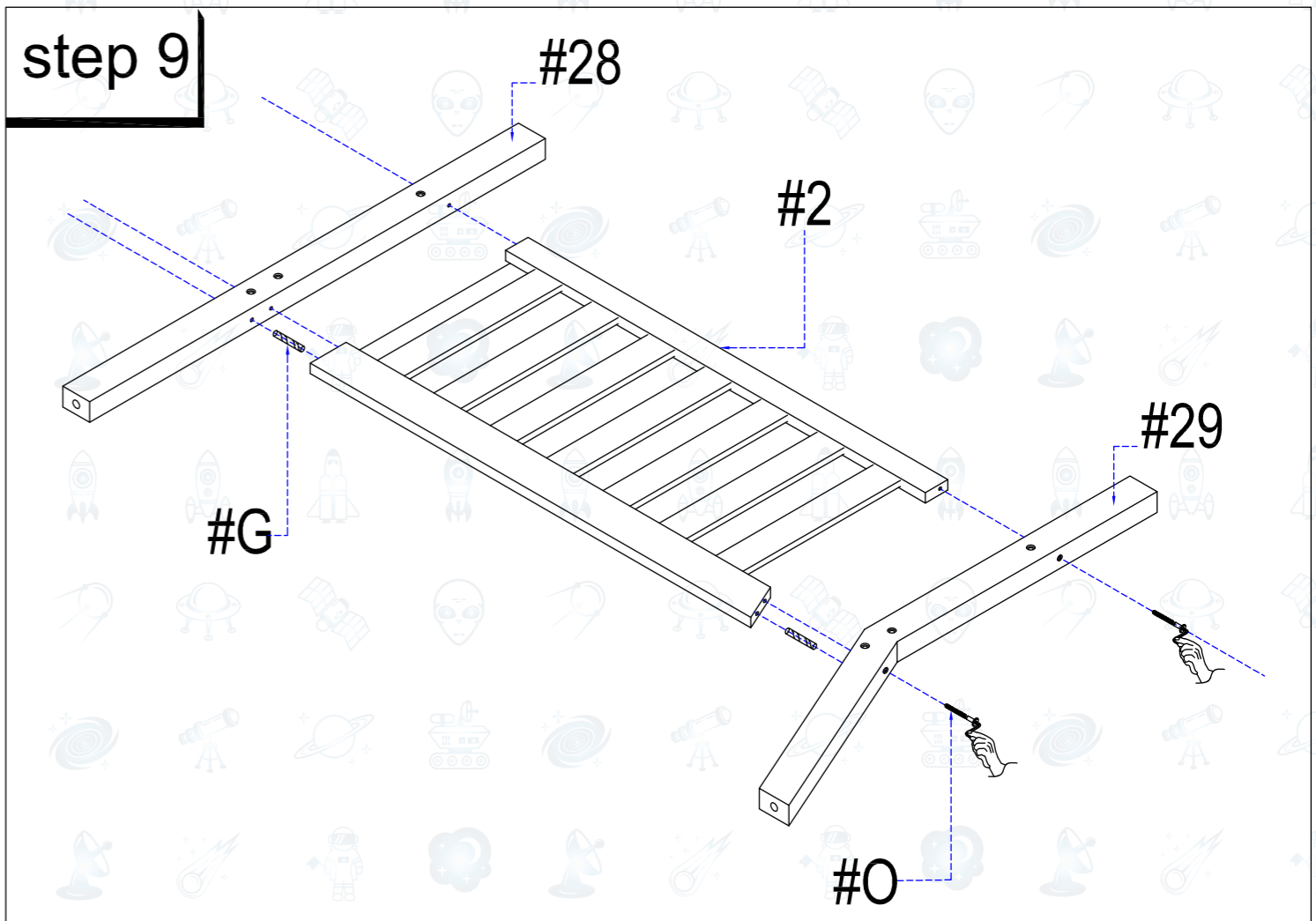
step 18



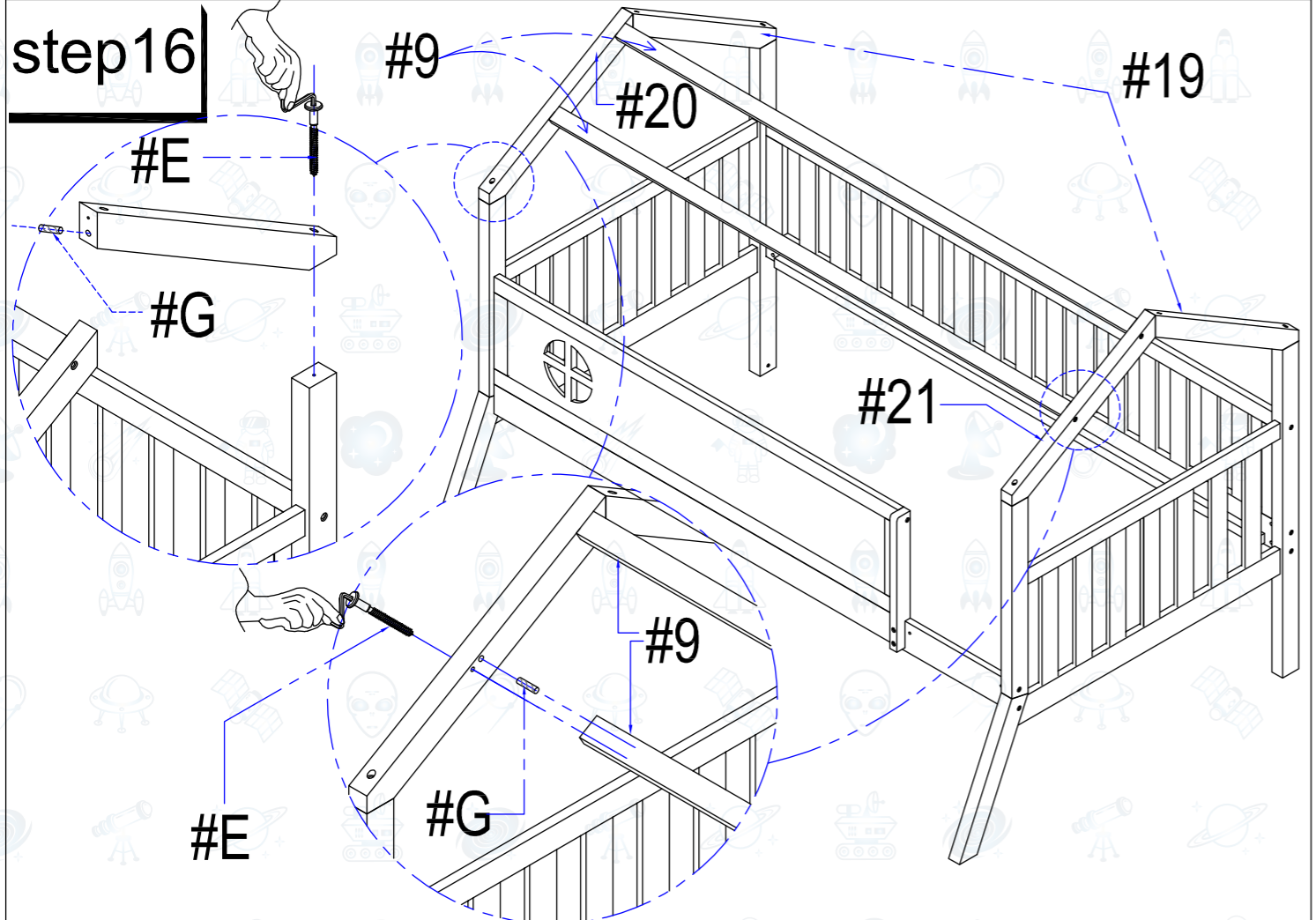
step 15



step 9



step 16



step 10

