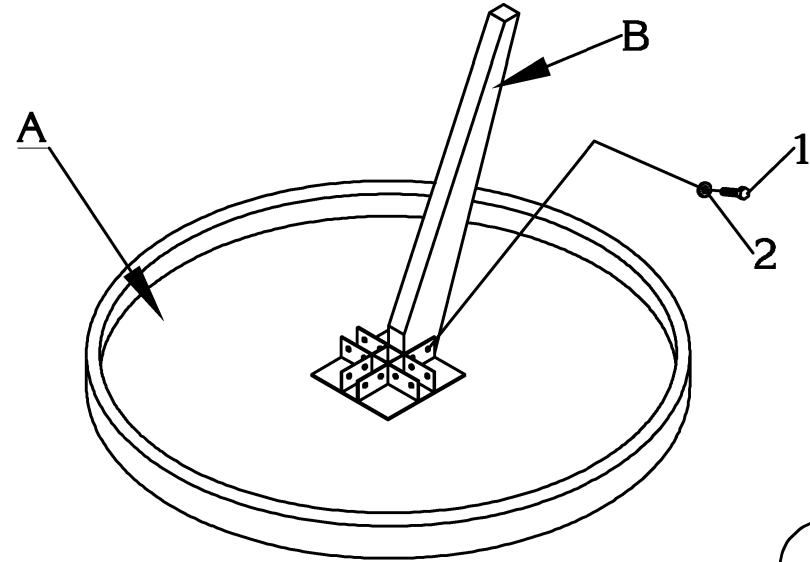
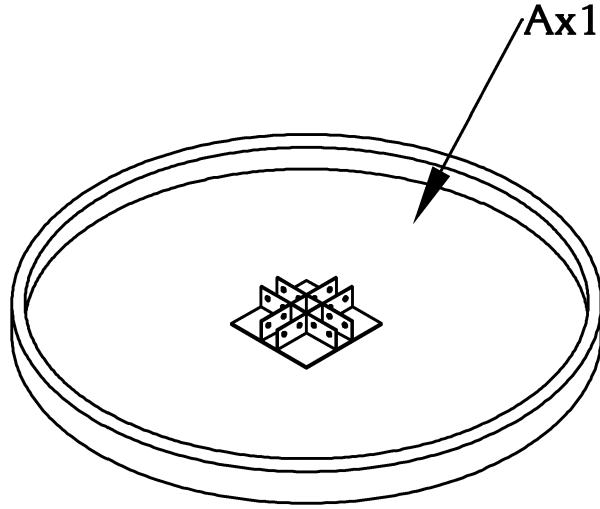
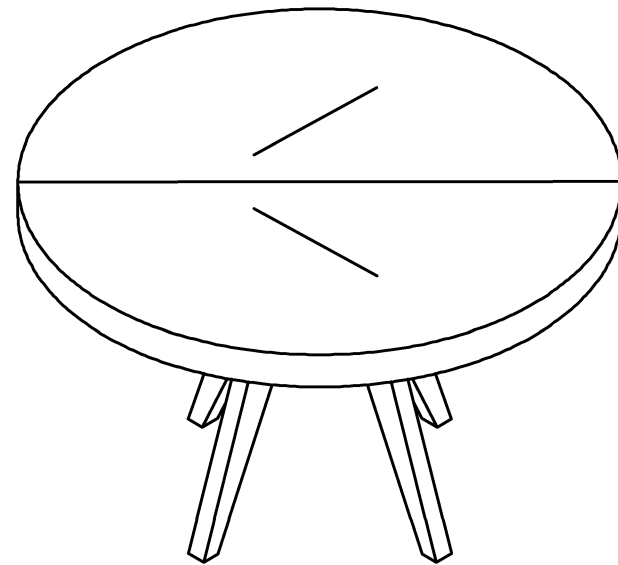
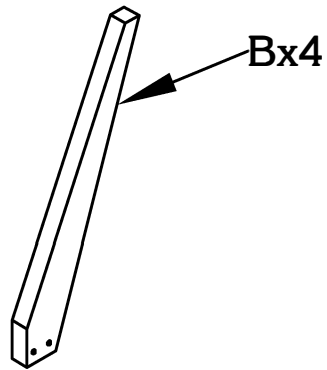


# ASSEMBLY INSTRUCTIONS



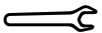


①



②

## HARDWARE CHECKLIST

| No: | HARDWARES  | PICTURE   | Q.TY |
|-----|------------|---|------|
| 1   | Bolts 8x20 |  | 16   |
| 2   | Washers    |  | 16   |
| 3   | Key 1/2    |  | 1    |

## ROUND TABLE