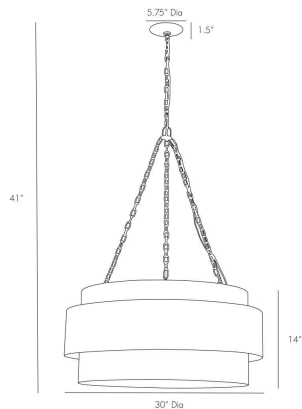


ARTERIOS

NOLAN LARGE PENDANT



84015
H: 41 IN, Dia: 30.00 IN
Antique Brass

This iron, mid-century-inspired, four-light vintage brass-finished pendant is the perfect light to hang over a dining table. The dark, bronze, floating band adds contrast and dimensionality to the simple elegant design. A tri-chain mount blends seamlessly with the metallic finish. Additional chain available CHN-885.

APPEARANCE

Material	Iron
Finish	Antique Brass, Bronze
Top Coat/Sealant	Yes

DIMENSIONS

Canopy	H: 1.5 IN, Dia: 5.75 IN
Pendant	H: 14 IN, Dia: 30.00 IN
Minimum Hanging	H: 41 IN
Max Hanging Height	77 in

WIRING

Rating	Indoor Only
Cord	10 FT, Clear/Silver, SVT
Socket	4, Type A- E26 Keyless
Maximum Watt	60
Voltage	110-120 V

CERTIFICATIONS

Certifications	Mexico, United Arab Emirates, European Union, United States, Canada
----------------	---

COMPLIANCY

UL/ETL	Yes
CB	Yes
RoHS	Yes

SHIPPING

Product Weight	23.5 lbs
Gross Weight 1	48.5 lbs
Shipping Box 1	H: 19 IN, L: 35 IN, W: 35 IN

REPLACEMENT PARTS

Replacement Part 1	CHN-885
--------------------	---------

CONTRACT

Contract Suitable	Yes
-------------------	-----