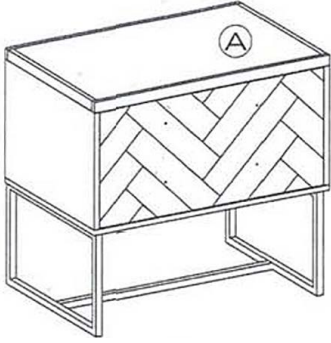


ASSEMBLY INSTRUCTIONS NIGHTSTAND



PARTS CHECK LIST

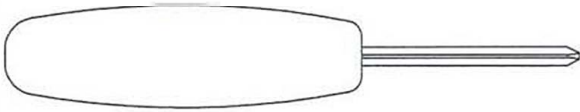
CODE	COMPONENTS	QTY
(A)	BODY	x01

HARDWARE CHECK LIST

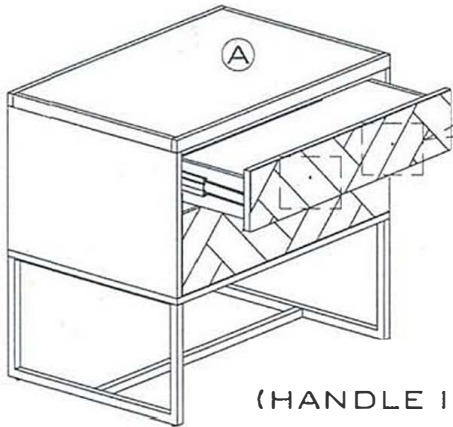
CODE	DESCRIPTION	QTY
	PHILLIPS HEAD SCREWDRIVER TOOL NEEDED(NOT INCLUDED)	

- PLEASE DO NOT DISCARD ANY OF THE PACKAGING UNTIL YOU HAVE CHECKED ALL THE PARTS AND THE PACKS OF HARDWARE.
- BEFORE YOU BEGIN TO ASSEMBLE YOUR NEW PIECE OF FURNITURE, PLEASE CHECK TO ENSURE THAT ALL PARTS HAVE BEEN SUPPLIED.
- FOLLOW INSTRUCTIONS CLOSELY AS DEVIATION FROM THEM MAY VOID YOUR WARRANTY AND PRESENT A POSSIBLE SAFETY RISK.
- IT IS RECOMMENDED THAT ASSEMBLY IS DONE ON A SOFT SURFACE LIKE CARPET TO AVOID ANY DAMAGE.
- PERIODICALLY CHECK AND RE-TIGHTEN ANY FASTENERS. W/PE DOWN ALL SURFACES WEEKLY WITH A CLEAN CLOTH. DO NOT CLEAN ANY SURFACES WITH HARSH ABRASIVES OR CHEMICALS.

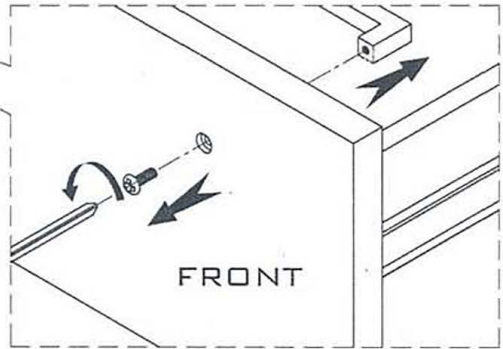
PHILLIPS HEAD SCREWDRIVER
TOOL NEEDED(NOT INCLUDED)



1.



(HANDLE INSIDE)



2.

