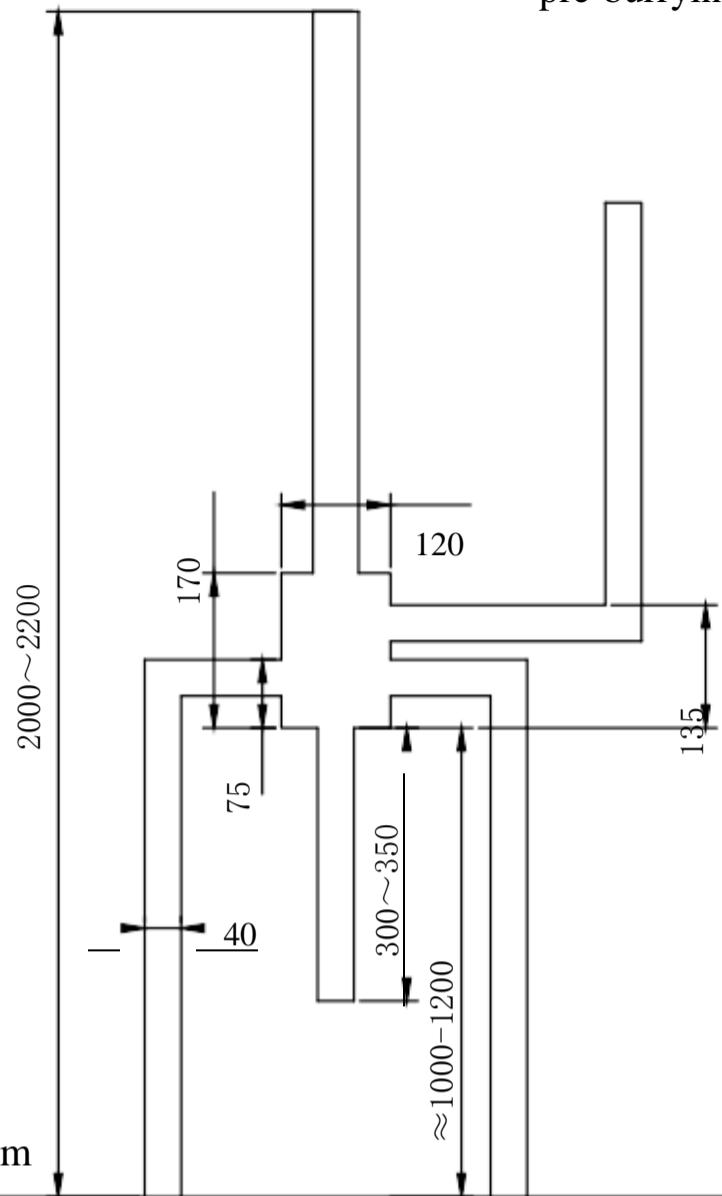
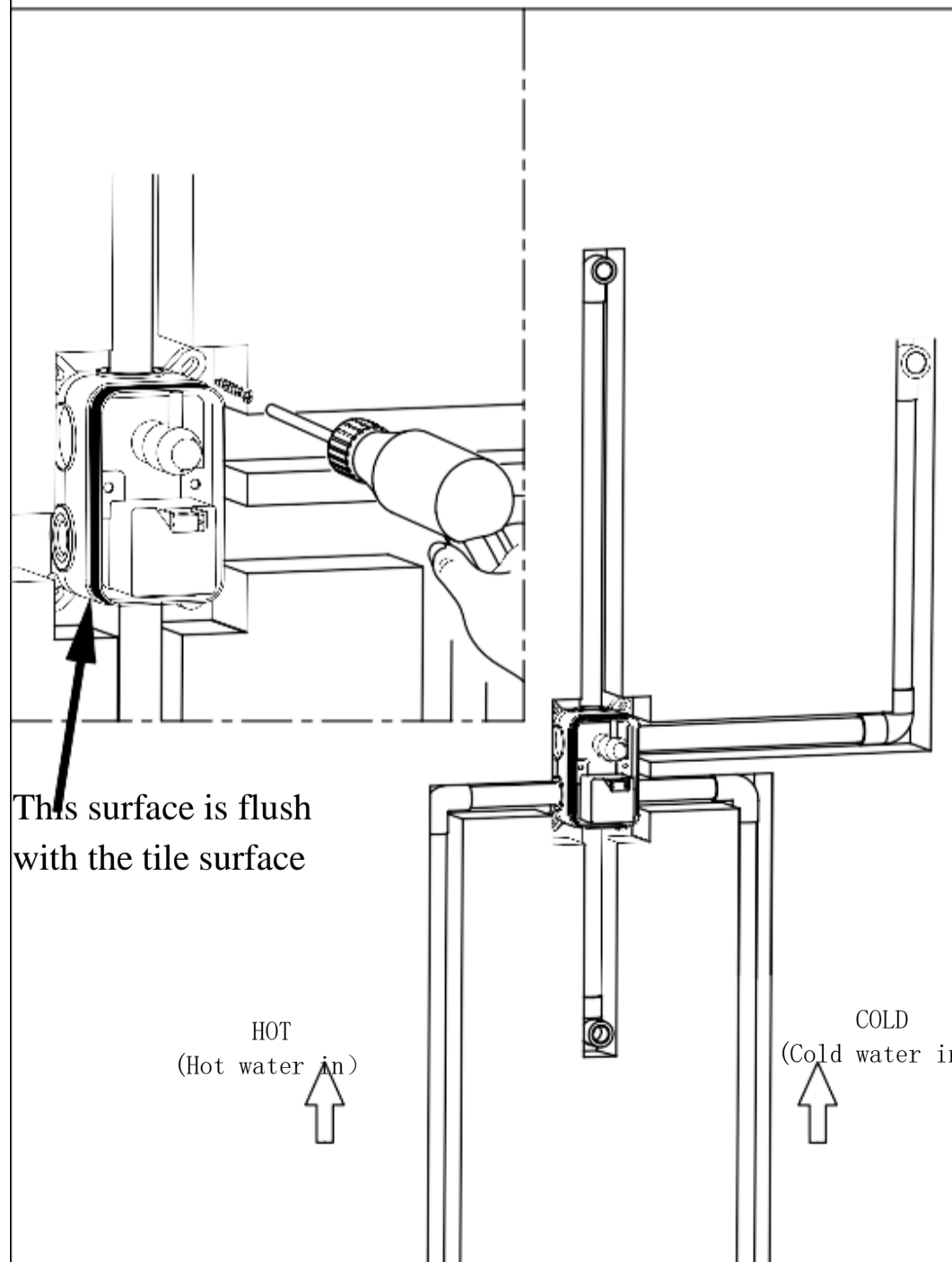


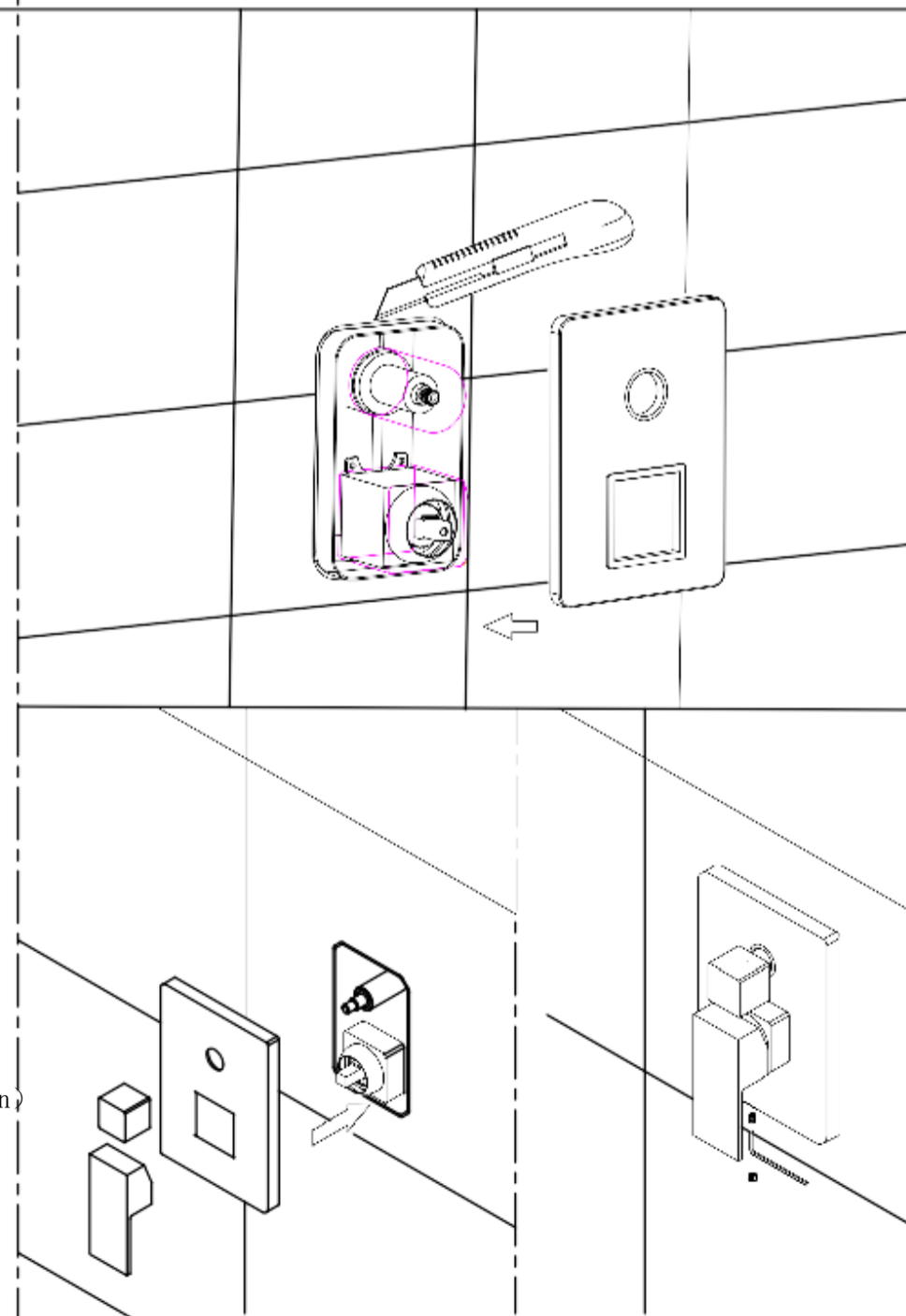
1. Dig pipe grooves for pre-burrying pipes.



2. Install the main bod, water inlet and outlet pipes

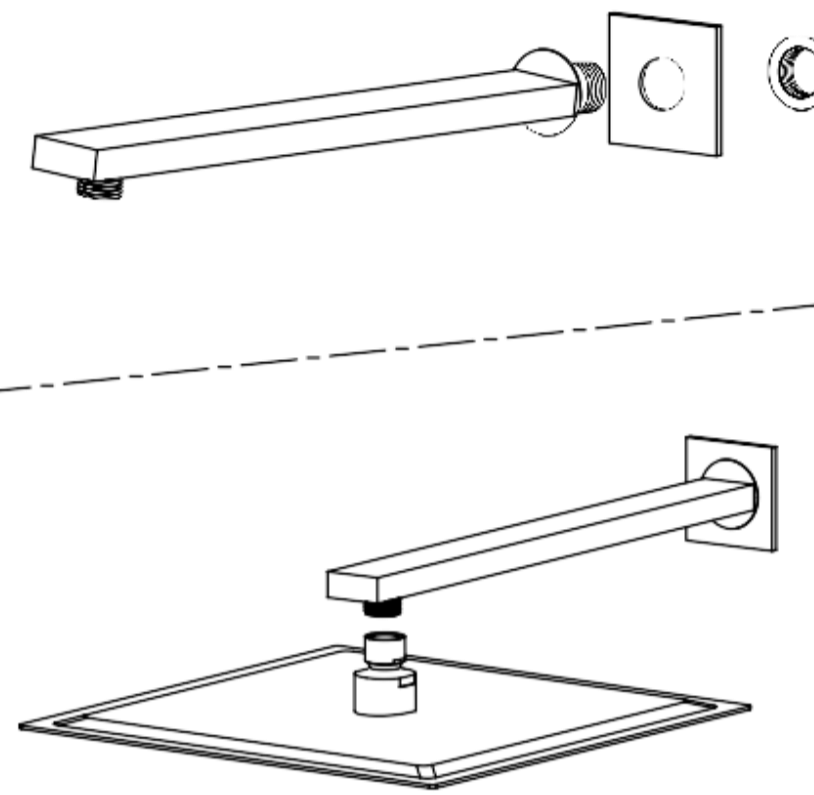


3. Fix ceramic tiles, cut off the edges of the embedded boxes, remove the protective cover and install the panel.



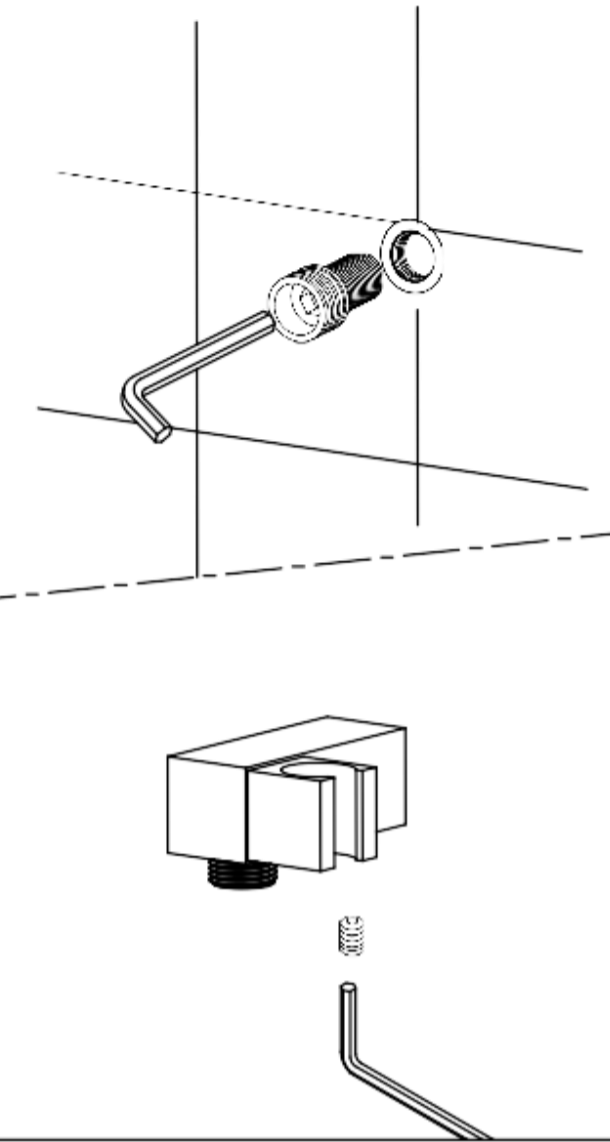
4. Install upper outlet pipe and top shower head.

(wrap the PTFE tape on the thread)



5. Install the stand for hand-held shower head

(wrap the PTFE tape on the thread)



6 Install lower water outlet.

(wrap the PTFE tape on the thread)

