

Owner Manual



WARRANTY

We strive to offer high quality product and we also try our best to satisfy each customer that order from us, no matter on products or services as needed. Each customer receives a record of their order, such as the order number or item receipt. For any items that are out of warranty period, you may still be able to purchase the replacement parts from our company if they are available.

!

MAINTENANCE AND WARNING

Please read the manual thoroughly
before you start installing.

Please keep the product away from
sharp object.

Packaging and small parts may have
chocking hazard, please keep them away
from children and pets.

Please clean the product according to each
clean code, check the product description
for more information.

Please keep the product away
from fire.

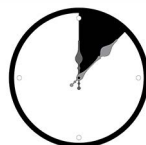
If you have any other questions, please
contact us, we will be glad to help you out.

If the product is placed under direct
sunlight, the pattern or color might fade
away overtime.


Check the product periodically to make
sure everything is secured and tightened.

Always use proper tools for installation.

Do not jump on the product.



PRODUCT DESCRIPTION



Soft cotton flannel provides a cozy, inviting feel that makes this lounge a perfect addition to your home.

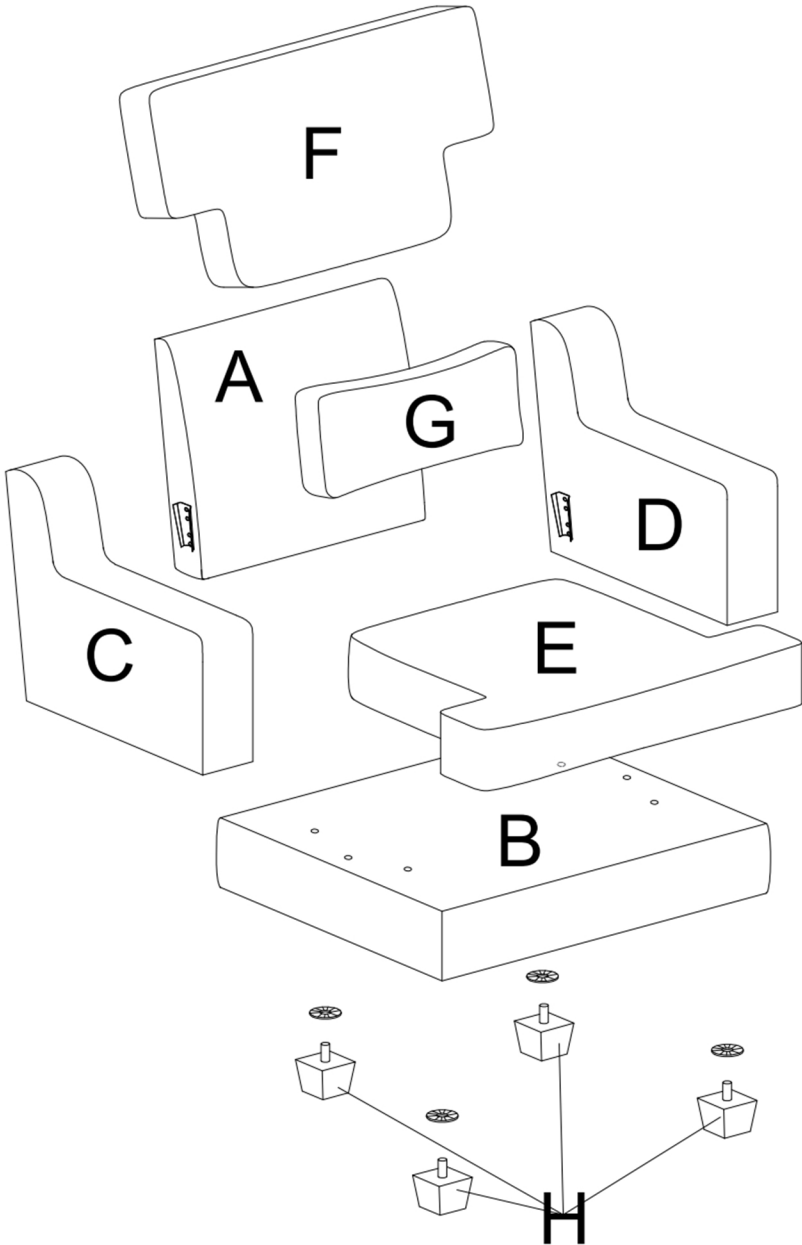
Generously filled cushion with spring package ensures both comfort and support, keeping you relaxed for hours.

Ergonomically designed backrest offers optimal support, ensuring perfect posture while lounging.

Includes a matching ottoman to prop up your feet for an enhanced lounging experience.

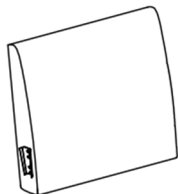
Sleek design that complements any modern home decor, elevating your space with ease.

EXPLODED VIEW



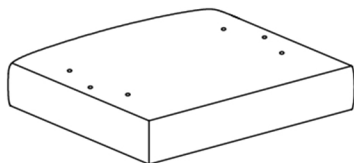
PARTS

A*1



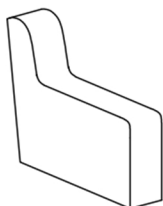
Backrest frame

B*1



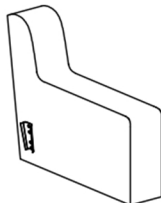
Seat frame

C*1



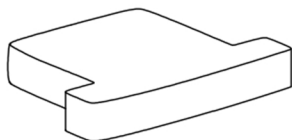
Right armrest

D*1



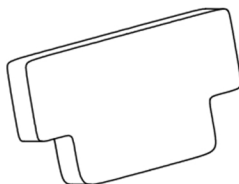
Left armrest

E*1



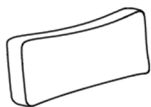
Seat cushion

F*1



Back cushion

G*1



Pillow

H*4



Legs

HARDWARE

TOOL LIST

NOTE: Designated with (★) We provide additional spare parts in the hardware package

①*6



★ Bolt

②*6



★ Spring washer

③*6



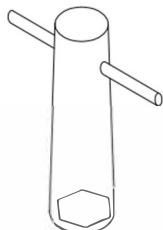
★ Flat washer

④*6



★ Nut

⑤*1



Hexagon socket wrench

⑥*4

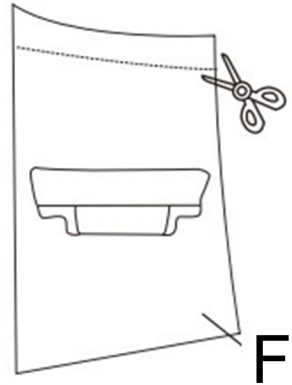
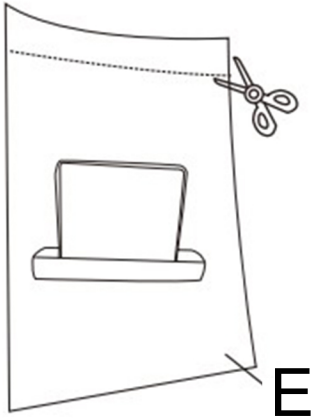


Plastic washer

Please make sure all hardware & packing material fitting the list. Especially some small accessories may be missing during transportation. Please contact us if you have any question.

step 1

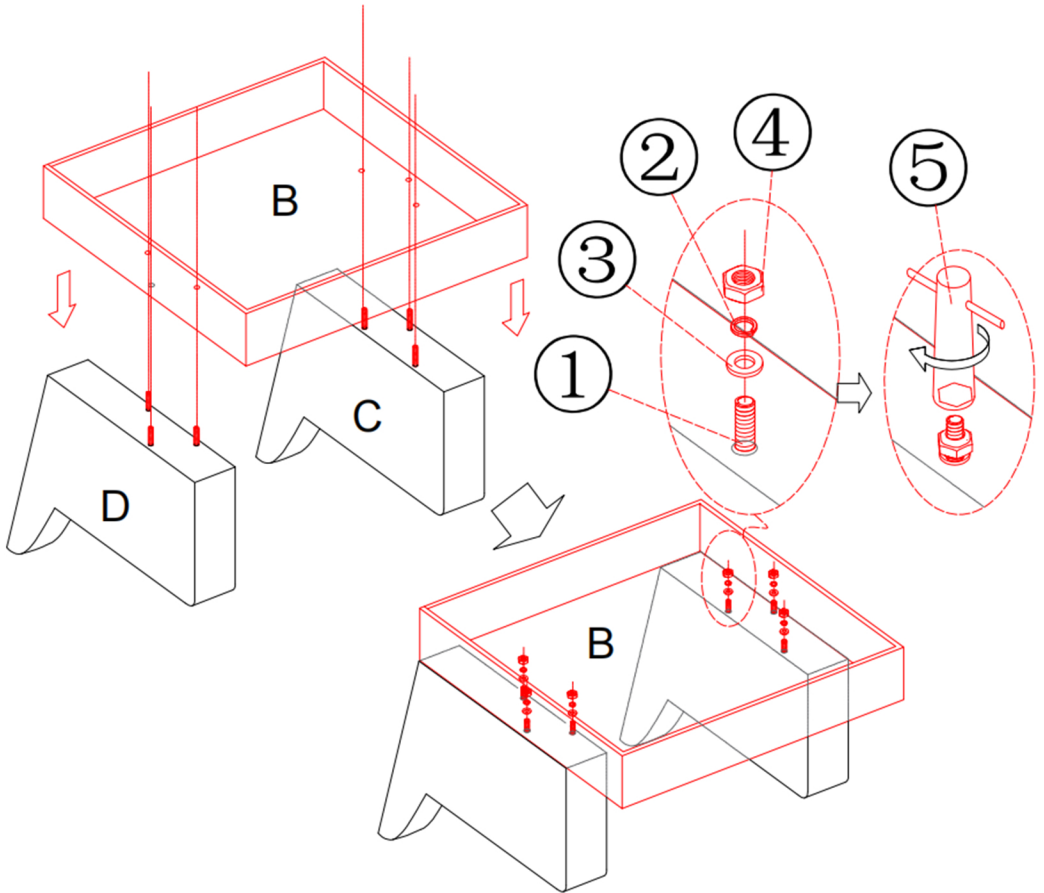
Cut the Cushions (E) and (F) from the air compression bags as shown. It might take 48 hours to be fully recovered. You may gently slap on them to speed up the process.



step 3

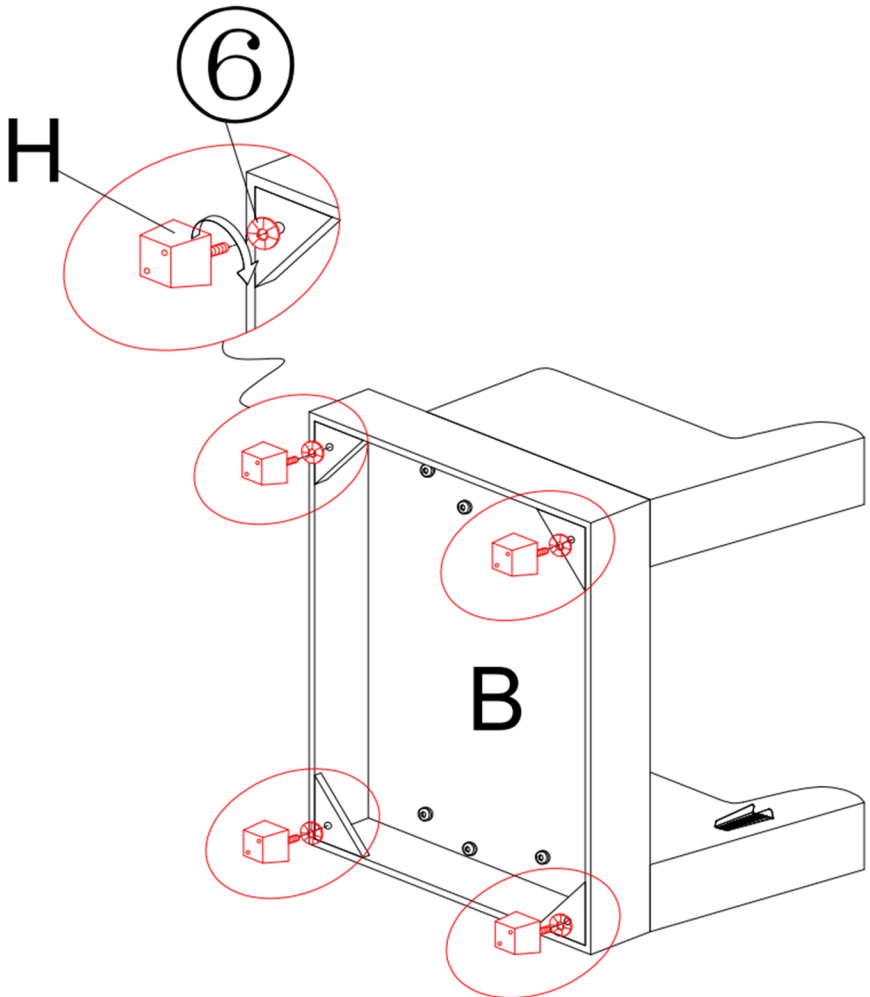
Place the seat frame (B) on to the armrests as shown, make sure the designated bolt holes on the seat frame are correctly aligned with the bolts on the armrests.

According to the diagram, place the flat washer(3), spring washer(2), and nut (4) in order on the bolts, then tighten them with the hexagon socket (5) wrench provided.



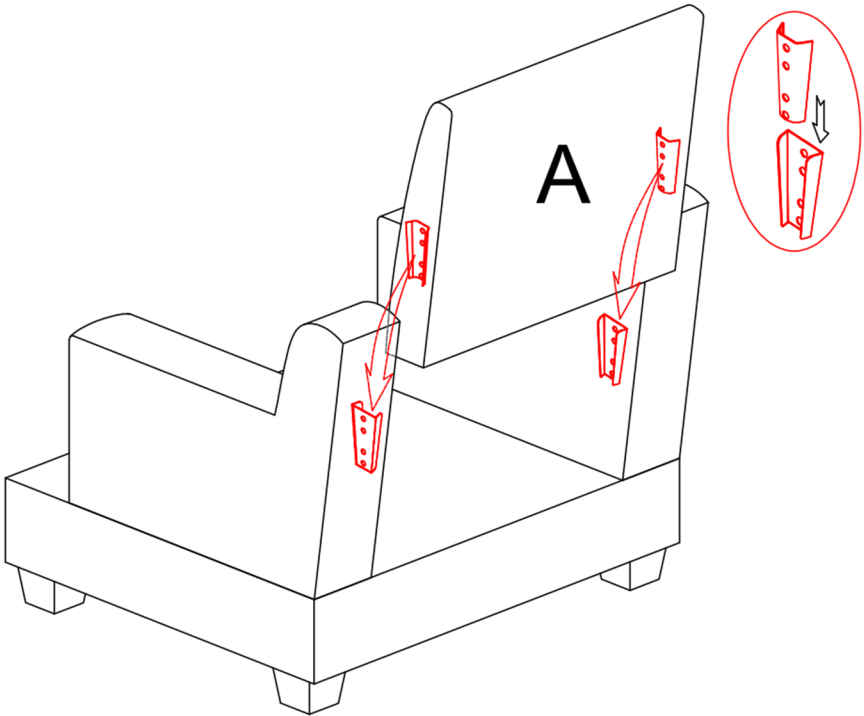
step 4

Please one plastic washer (6) on it, Then align all four sofa legs (H) with the predrilled holes underneath the sofa frame, tighten them clockwise until they are fully tightened.



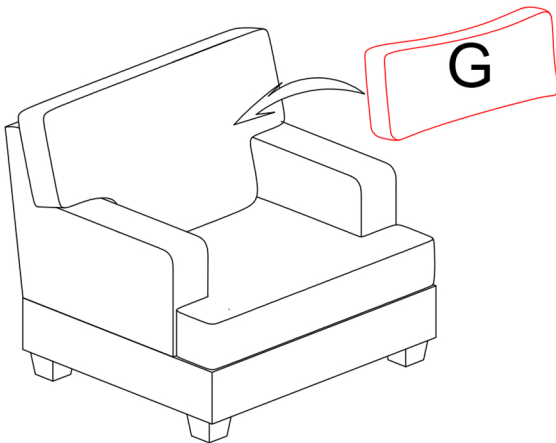
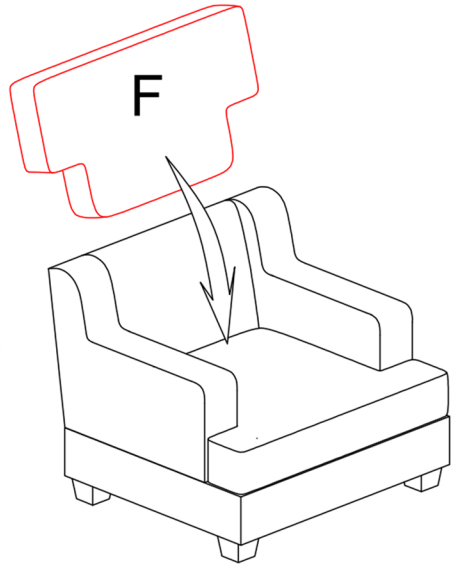
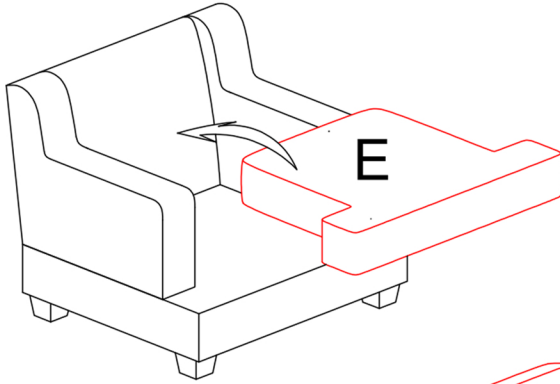
step 5

Place the sofa on its feet, and align the connectors on its backrest with the slots on the armrest as shown. Make sure both connectors are correctly aligned before pushing down.



step 6

Place the seat cushion (E) on the seat frame, and the back cushion (F) on the back frame. Place the pillow (G) on the back cushion.



step 7

Congratulations! You have finished the assembly, thank you again for choosing our product! Please enjoy!

