

SLIDING DOOR HARDWARE INSTALLATION INSTRUCTIONS

REFERENCE TO 2M CLASSIC INSTALLATION DEMO

HARDWARE LIST

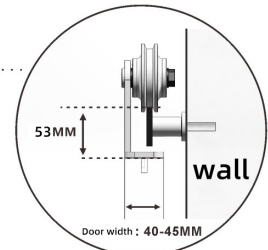
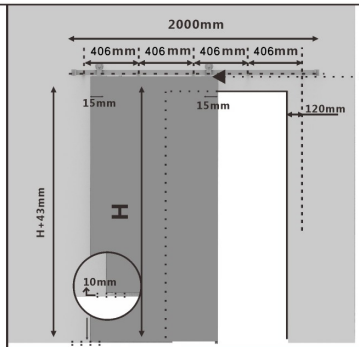
NAME	EXPLAIN	SPECIFICATIONS																
		5FT SGL	6FT SGL	6.6FT SGL	7.5FT SGL	10FT SGL	12FT SGL	13FT SGL	15FT SGL	5FT DBL	6FT DBL	6.6FT DBL	7.5FT DBL	10FT DBL	12FT DBL	13FT DBL	15FT DBL	
Roller	Single door with 2 pulley screw for 40-45mm thick door.	2	2	2	2	4	2	4	2	4	2	4	2	4	2	4	2	4
Rails	Orbital length at least door Twice the width	5FT x1	6FT x1	6.6FT x1	7.5FT x1	7.5FT x1	5FT x2	5FT x2	6FT x2	6FT x2	6.6FT x2	6.6FT x2	7.5FT x2	7.5FT x2				
Rails spacers	When using hollow wall, please drill holes. Select the appropriate screw according to the bolt.	4	5	5	6	6	7	7	9	9	9	9	11	11				
Installation screw	Need to increase the distance between door panels and walls. Replace the long screw.	4	5	5	6	6	7	7	9	9	9	9	11	11				
Door stoppers	Installed at both ends of the track to restrict doors. The distance and action of left and right movement.	2	2	2	2	4	2	4	2	4	2	4	2	4				
Anti jumpers	It is installed between the track and the top of the door to prevent the door from popping out from the top during the moving process.	2	2	2	2	4	2	4	2	4	2	4	2	4				
Floor guide	Install on the floor to prevent the door from swinging back and forth. Doors need to be grooved at the bottom beforehand (width: 07-1 cm and height 2 cm)	1	1	1	1	2	1	2	1	2	1	2	1	2				
Installation tools	With the whole set of hardware to send and install a gadget. Random color and style	1	1	1	1	1	1	1	1	1	1	1	1	1				

INSTALLATION METHOD

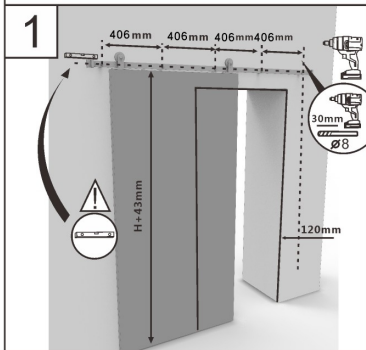
Installation examples of 2m classical standard

Step 1: Drilling and Installing Track

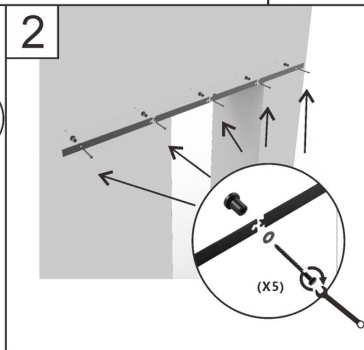
Specific drilling location: the gate height increases by 43 mm, which is the position of the central hole of the track.



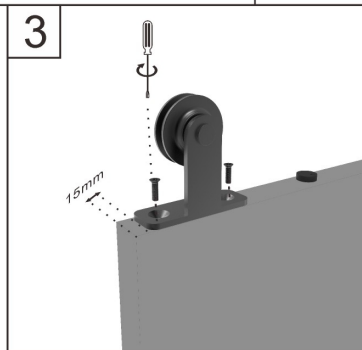
Note: the standard configuration of this product is suitable for the installation of 40mm door leaf. If the door thickness is more than 40mm or there is a door pocket, please contact the customer service and change the accessories appropriately



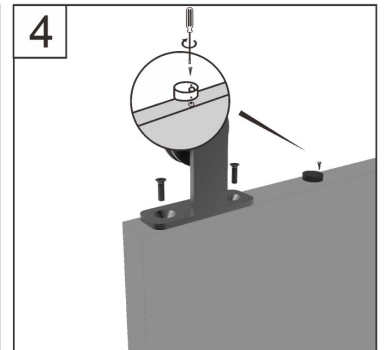
1. The center position is the edge of the door + 120 mm and the height of the door + 43 mm, drilling holes to the horizontal line according to the distance of 450 mm holes. Drilling diameter: M8, depth 30 mm.



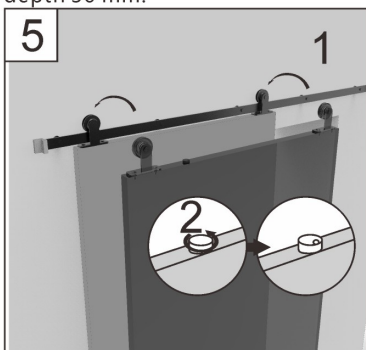
2. Install the track on the wall in the order of fittings shown in the figure.



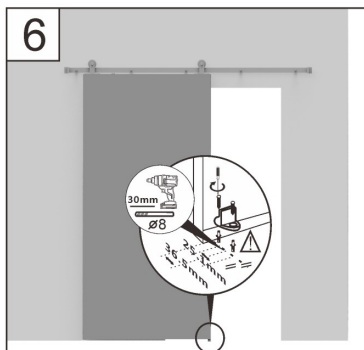
3. 15mm away from the top edge of the door, hook with 80mm apart from the hole, hole diameter M6, use hexagonal key to tighten the screw.



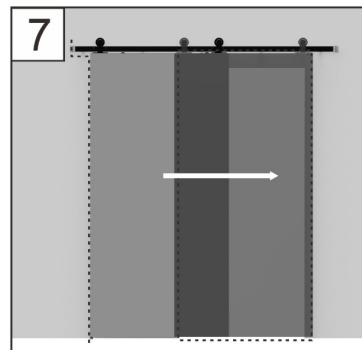
4. Then install the anti-slipping block on the top of the door and rotate the anti-slipping block to the outside of the top of the door.



5. Hang the door with hook and anti-dislodging on the track, and adjust the anti-dislodging under the track to prevent the hook from jumping out of the track.



6. Installation dimension of pendulum stopper at the center of sliding trajectory of wooden door (need to slot the bottom of door in advance) is shown in the figure.



7. Adjust the stroke of the door and install the limiter. After the adjustment is completed, tighten the screw with a 7-word hexagonal key.

