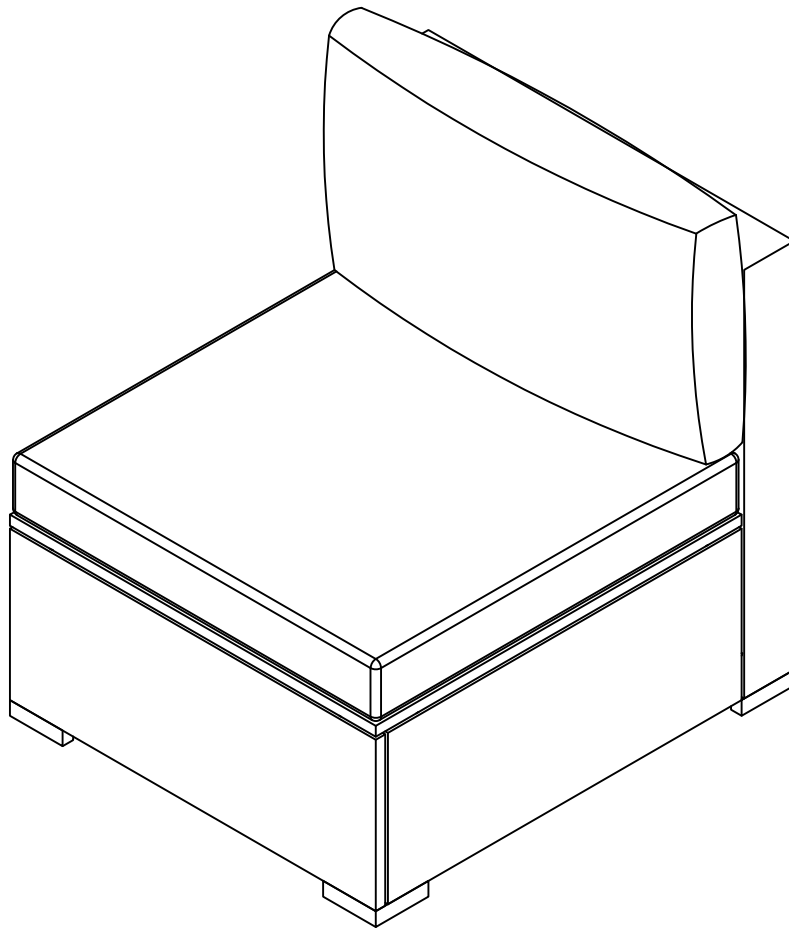


# ARMLESS CHAIR



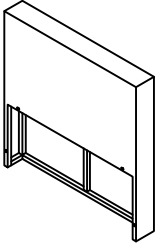
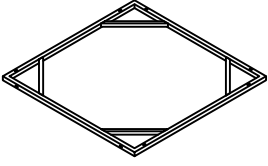
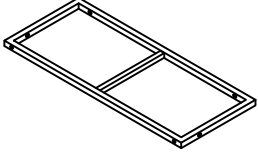
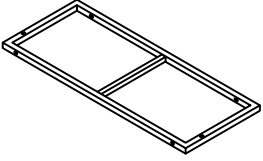
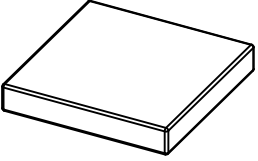
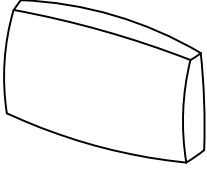
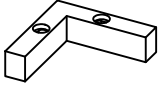
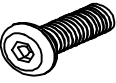


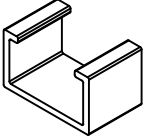
## ATTENTION Section:

1. If you encounter any issues, such as missing accessories or damaged parts, please contact us immediately and include pictures.

## Assembly Instructions:

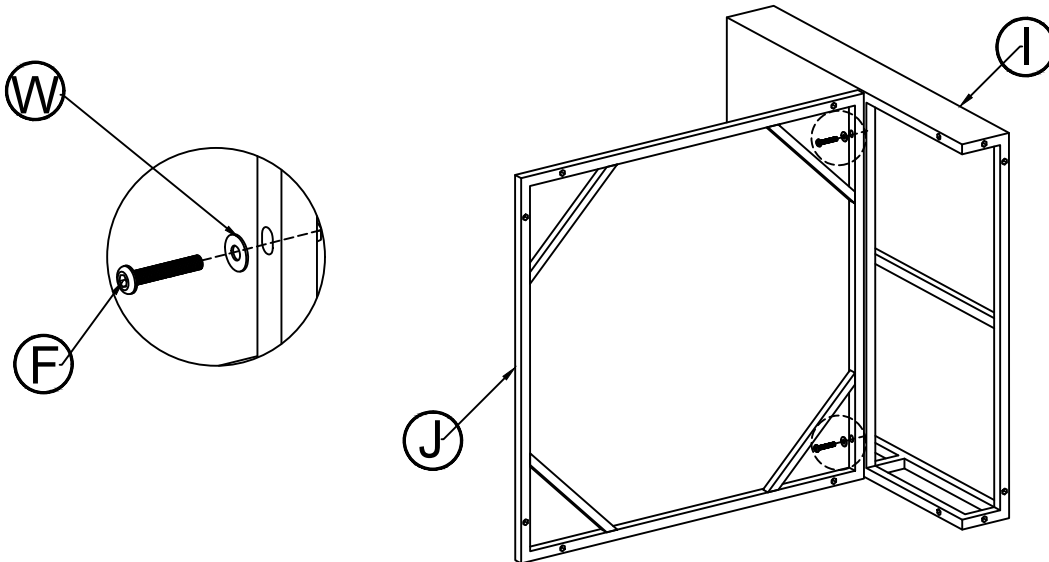
1. Assembly requires two people to complete.
2. For optimal assembly, we highly recommend using the provided Allen key.  
If using a power tool, please set it to a low speed to prevent any damage
3. Do not fully tighten the screws until all screws are properly aligned with their holes.

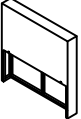




# PARTS LIST OF BOX

<p><b>I</b></p>  <p>70cm/27.5in      2pcs</p>	<p><b>J</b></p>  <p>2pcs</p>	<p><b>D</b></p>  <p>68cm/26.7in      4pcs</p>	<p><b>K</b></p>  <p>70cm/27.5in      2pcs</p>
<p><b>N</b></p>  <p>2pcs</p>	<p><b>O</b></p>  <p>2pcs</p>	<p><b>G</b></p>  <p>8pcs</p>	<p><b>F</b></p>  <p>M6*35      40pcs</p>
<p><b>W</b></p>  <p>M6      24pcs</p>	<p><b>H</b></p>  <p>M6      2pcs</p>	<p><b>P</b></p>  <p>4pcs</p>	

STEP 1

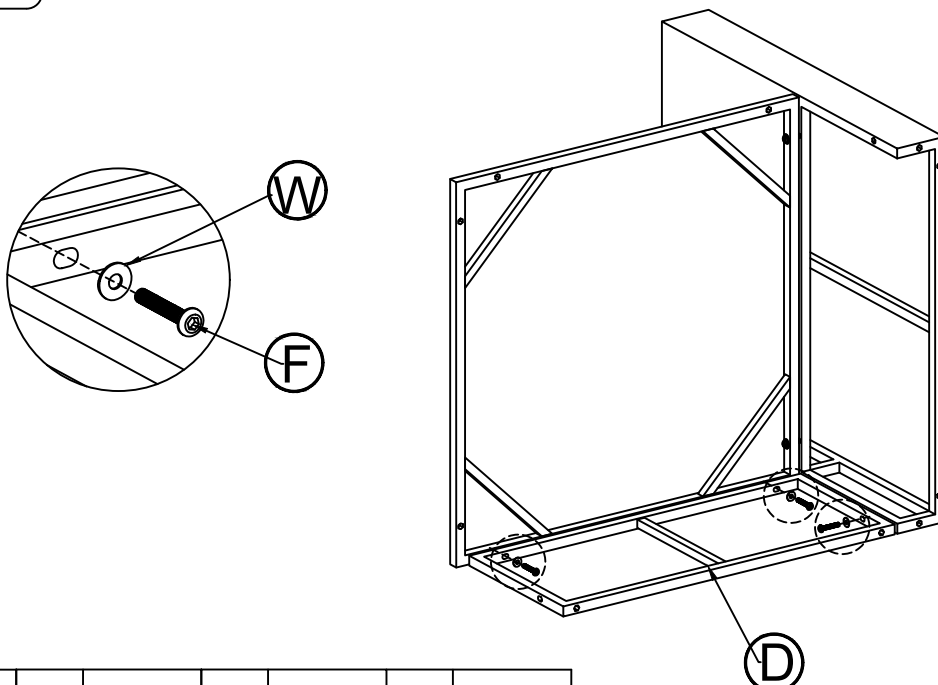
x2







I	1pc	J	1pc	F	2pcs	W	2pcs	H	1pc
					M6*35		M6		M6

STEP 2

x2

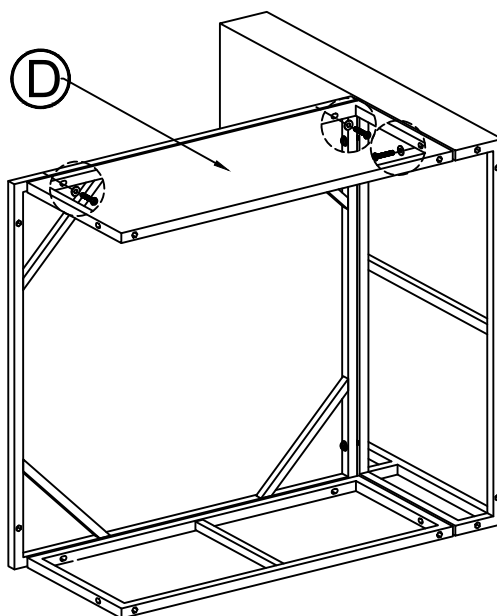
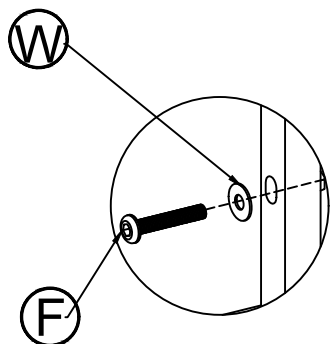


D	1pc	F	3pcs	W	3pcs	H	1pc
			M6*35		M6		M6

Do not fully tighten all screws until assembly is completed.

STEP 3

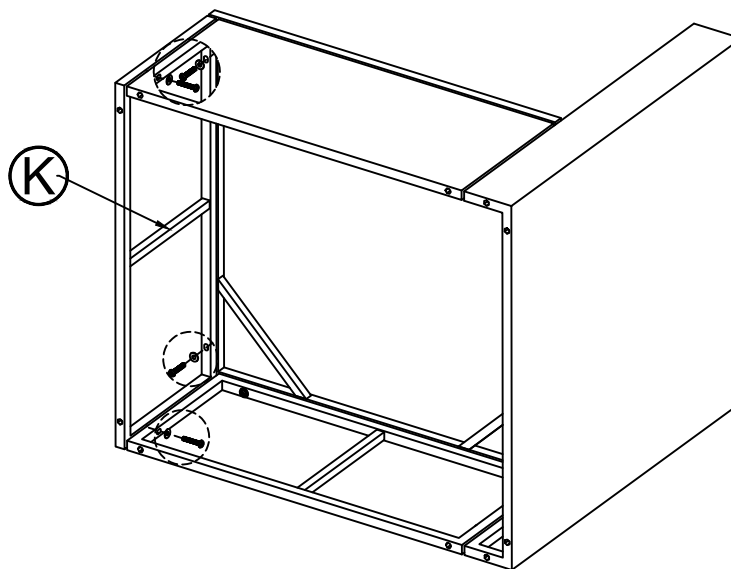
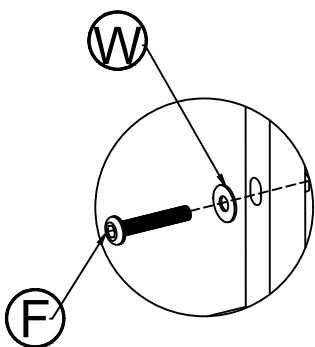
x2



D	1pc	F	3pcs	W	3pcs	H	1pc
		M6*35		M6		M6	

STEP 4

x2

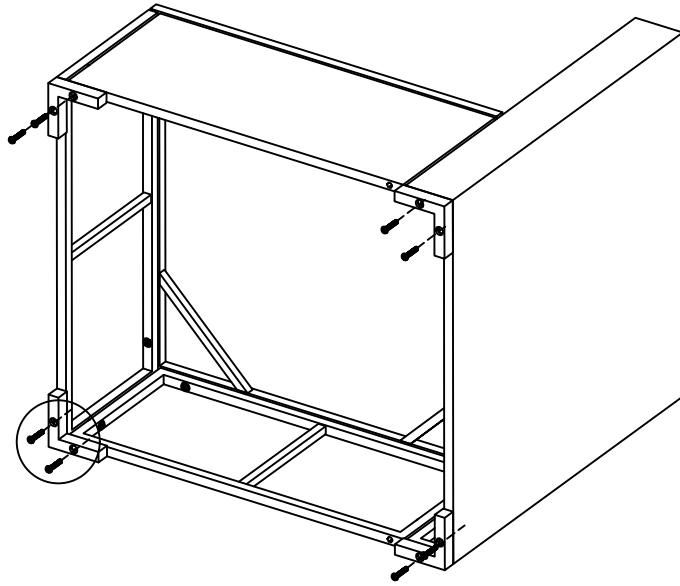
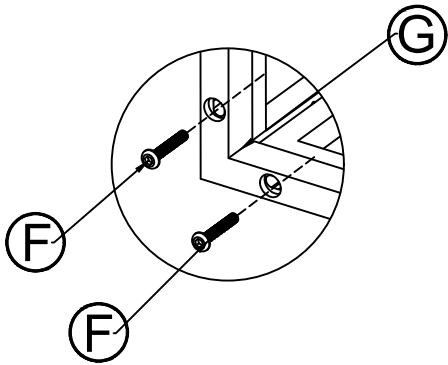


K	1pc	F	4pcs	W	4pcs	H	1pc
		M6*35		M6		M6	

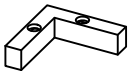
Do not fully tighten all screws until assembly is completed.

STEP 5

x2



G	4pcs	F	8pcs	H	1pc
---	------	---	------	---	-----



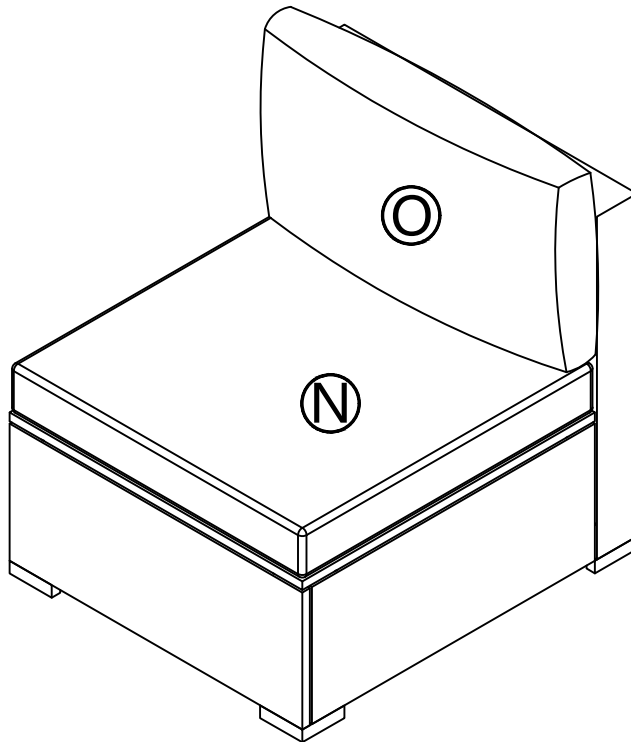
M6\*35



M6

STEP 6

x2



N	1pc	O	1pc
---	-----	---	-----



Do not fully tighten all screws until assembly is completed.