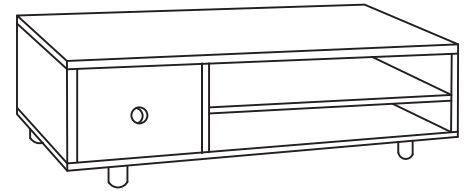
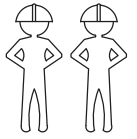


SINGLE DRAWER TV CABINET

TIPS

- 1 Please review all parts and hardware before disposing of any packaging.
- 2 Check to be sure that all parts and hardware are complete before you start assembly.
- 3 Before beginning assembly, separate each type of screw.
- 4 Using a screw that is too long will cause damage.
- 5 Carefully study the screw diagrams below.
- 6 You may receive extra hardware with your unit.
- 7 Place all parts on a clean and smooth surface to avoid the parts from being scratched.
- 8 Keep the product away from heat and humidity.
- 9 Light blue stains and natural wood knots on the product are not considered defects.

Required :
30 minutes



PART LIST

A Top Panel
1Pc



B Side Panel (1)
1Pc



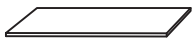
C Side Panel (2)
2Pcs



D Bottom Panel
1Pc



E Shelf Panel
1Pc



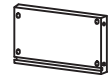
F Leg
4Pcs



G Drawer Head
2Pcs



H Drawer Side Panel
2Pcs

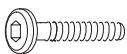


I Drawer Bottom Panel
1Pc



HARDWARE LIST

J JCBC Screw M6 x 35mm
9Pcs



K Mini Fix Cam
17Pcs



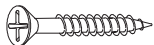
L Mini Fix Connection Bolt
17Pcs



M Plastic Drawer Stopper
1Pc



N CSK C/B Screw
M3.5 x 16mm
1Pc



O Metal Shelf Support
4Pcs

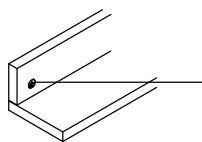
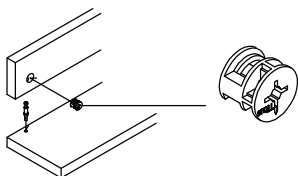


P Allen Key M4
1Pc

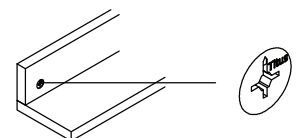
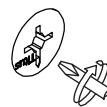


ATTENTION :

MINIFIX MUST BE USED IN THE CORRECT WAY :

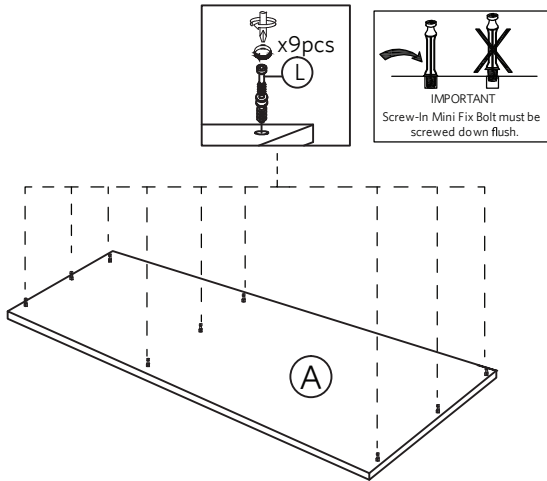


TIGHTEN MINIFIX

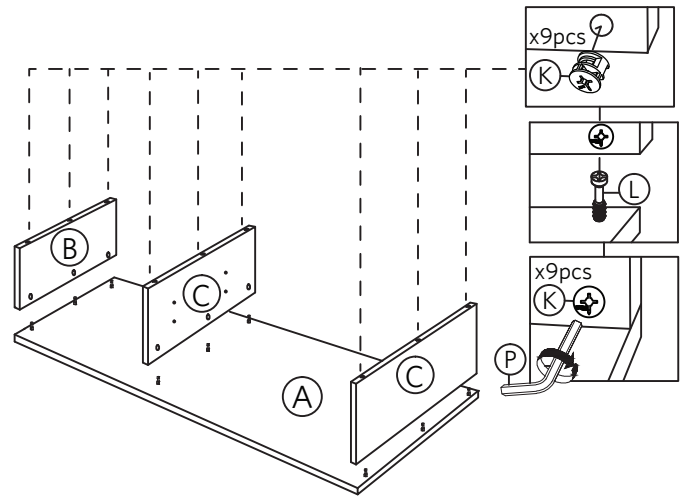


ASSEMBLY INSTRUCTIONS

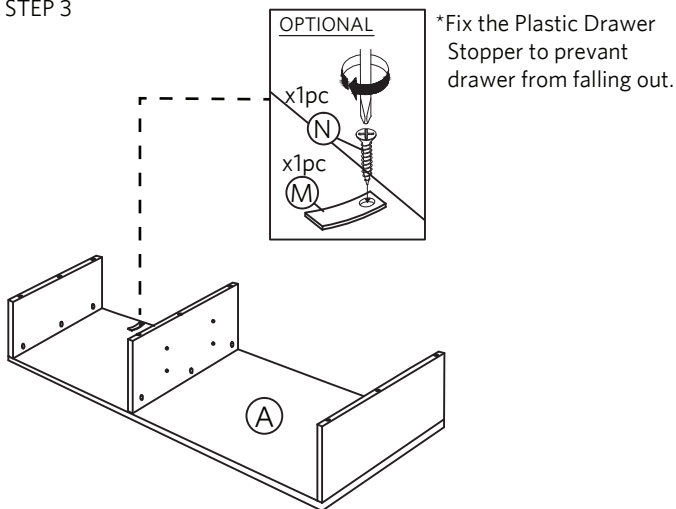
1 STEP 1



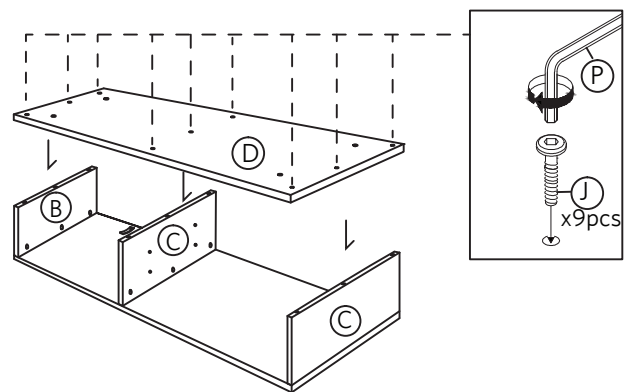
2 STEP 2



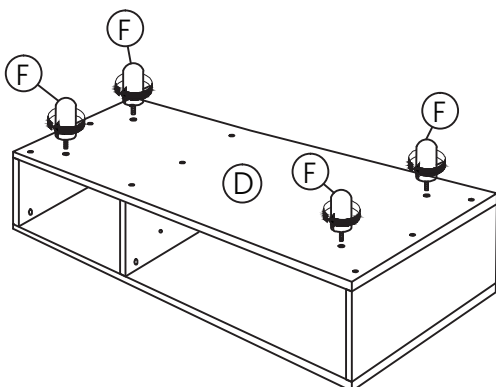
3 STEP 3



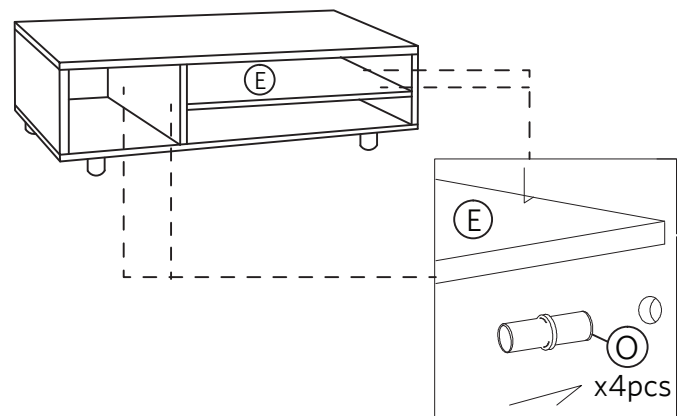
4 STEP 4



5 STEP 5

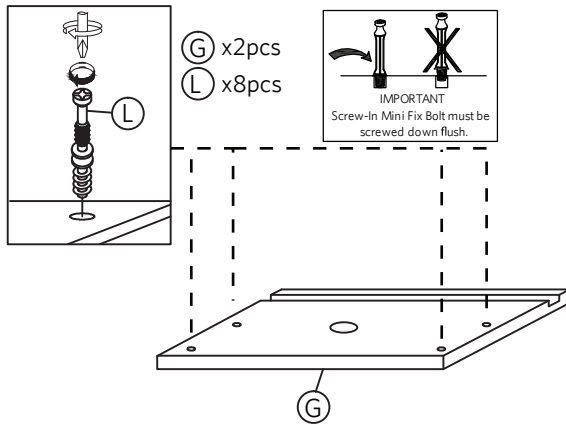


6 STEP 6

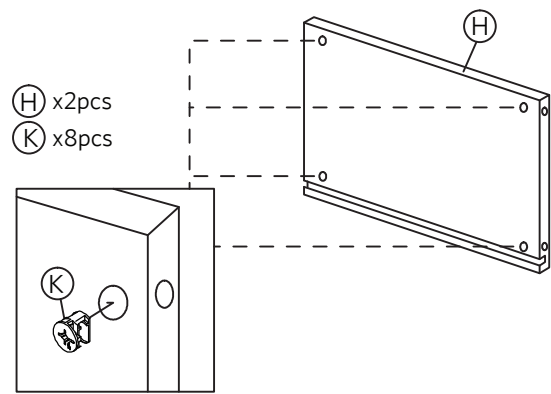


ASSEMBLY INSTRUCTIONS

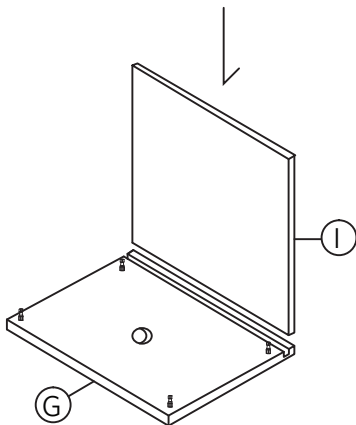
7 STEP 7



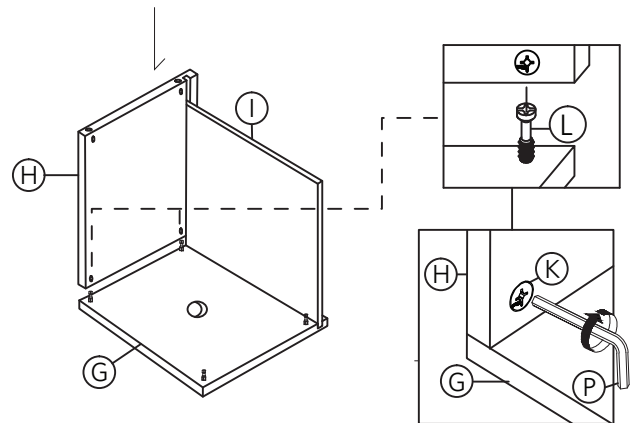
8 STEP 8



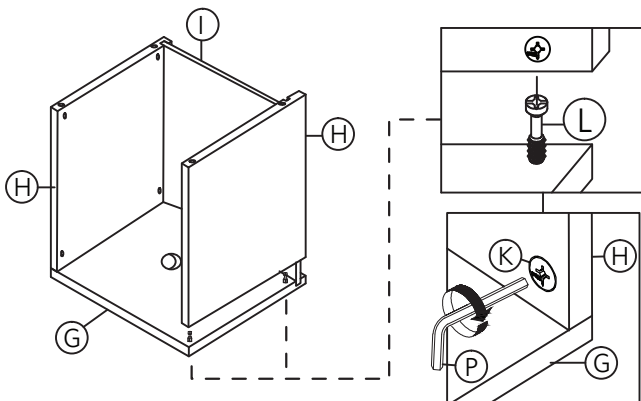
9 STEP 9



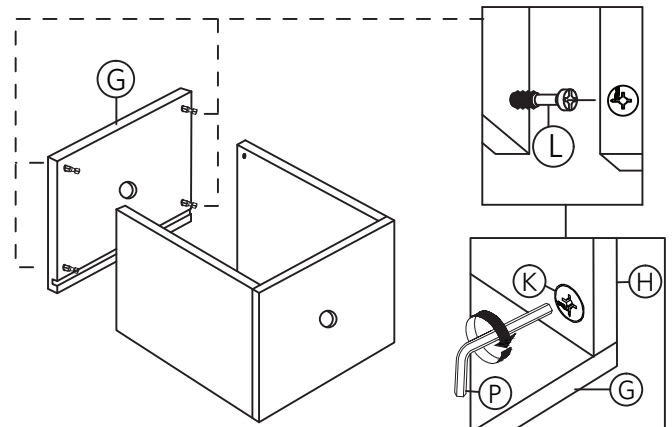
10 STEP 10



11 STEP 11

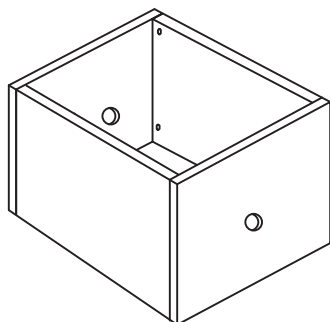


12 STEP 12



ASSEMBLY INSTRUCTIONS

13 STEP 13



Drawer x 1set

14 STEP 14

