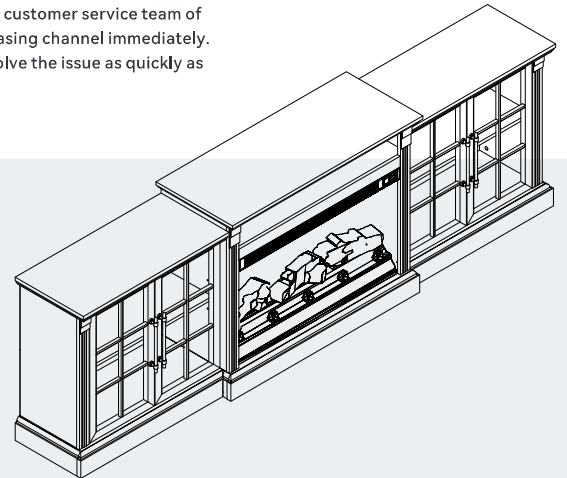


TV Stand

Assembly Instruction – Please keep properly for future reference.

If you find any missing boxes, damaged parts, or accessory shortages, please contact the customer service team of your purchasing channel immediately. We will resolve the issue as quickly as possible.



CONTACT US

- In order to receive assistance more quickly, please provide

THE FOLLOWING INFORMATION:

- Order number
- Purchase platform
- Purchase date
- Detailed description of the issue along with photos (if applicable)

Important – Please read these instructions carefully before starting the installation.

| TV Stand

V1.1

EN

Before Assembly



Thank you for choosing our product!

To ensure a smooth installation process, please read this guide carefully to familiarize yourself with the required tools, materials, and installation steps.

Follow the relevant sections to avoid any damage caused by improper installation, and make sure to review all operation and safety guidelines for correct installation procedures.

Packaging Notice:

1. Multi-Box Shipping Notice

This product is packaged in 3 separate boxes for shipping and may arrive in batches at different times. To ensure a smooth assembly process, please make sure all boxes are received before unpacking and starting the installation.

2. Box and Packaging Verification

Each box is labeled with a corresponding number. Please refer to the packing list on the next page of this manual to verify that all boxes have been received.

If you find any missing boxes, damaged parts, or accessory shortages, please contact the customer service team of your purchasing channel immediately. We will resolve the issue as quickly as possible.

Safety and Care Advice



Important :

Please read these instructions fully before starting assembly.

- Check you have all the components and tools listed on the following pages.
- Remove all fittings from the plastic bags and separate them into their groups.
- Keep children and animals away from the work area, small parts could choke if swallowed.
- Make sure you have enough space to layout the parts before starting.
- During assembly do not stand or put weight on the product, this could cause damage.

- Assemble the item as close to its final position (in the same room) as possible.
- Assemble on a soft level surface to avoid damaging the unit or your floor.
- Parts of the assembly will be easier with 2 people.



- To reduce the likelihood of damaging your product please ensure that your power drill is set on a low torque setting.

Care and Maintenance

- Only clean using a damp cloth and mild detergent, do not use bleach or abrasive cleaners.
- From time to time check that there are no loose screws on this unit.
- This product should not be discarded with household waste. Take to your local authority waste disposal center.

Handy Hints

- Assemble all parts and bolts loosely during assembly, only once the product is complete should you fully tighten the bolts.
- Regularly check and ensure that all bolts and fittings are tightened properly.

Warning

In order to help prevent overturning, please follow these instructions.

- Use the anti tip strap or wall fixing method provided (if applicable).
- Do not allow children to climb or hang on the furniture.
- Do not open more than one drawer at a time.
- Do not place heavy items in the top drawers.
- Do not place heavy items on top of the furniture, unless the furniture has been designed for this purpose.
- Please note that only the anti tip strap is provided. You will need to provide wall plugs and screws applicable for your wall type.

Customer Service Guide



Thank you for choosing our product! We are committed to providing you with excellent service. If you find any missing parts, damaged packaging, or product damage after receiving all packages, please follow the steps below to quickly contact our customer service team. We will do our best to resolve your issue.

1. Missing Parts

Verify Parts:

1. Refer to the "Parts List" in the manual to verify the name, specifications, and quantity of the missing parts.
2. Take a clear photo of the parts list and mark the missing parts with detailed information, e.g., "Missing 5 pieces of M6×30mm screws."

Contact Us:

By Email:

Send an email with the subject line "Missing Parts Issue." Include the following in the email:

- A description of the missing parts and a photo of the parts list.
- Order details (order number, purchase platform, purchase date).

2. Product or Packaging Damage

If it affects normal use:

Steps:

1. Take clear photos or videos showing the damaged parts and the extent of the damage (multi-angle shots are recommended).
2. Email the photos/videos along with order details with the subject line "Product Damage Issue."

Resolution:

After verification, we will arrange for a replacement part, product exchange, or refund as quickly as possible.

If it does not affect normal use:

Steps:

1. Contact our customer service team.
2. Provide a description of the damage and include relevant photos or videos.

Resolution:

We will provide repair guidance or an appropriate compensation plan based on the specific situation.

Contact Us:

Customer Service Email

Helpful Tips

To process your issue efficiently, please prepare the following information:

- Order details (order number, purchase platform, purchase date).
- Clear photos or videos.
- We are committed to providing quick and professional solutions, no matter the size of the issue, to ensure your satisfaction.

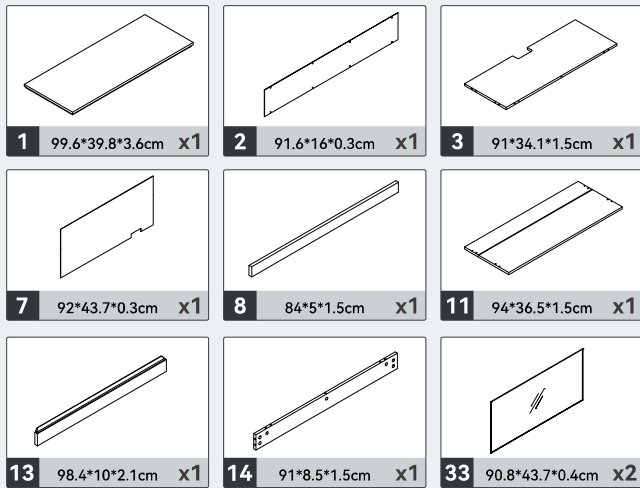
Thank you for your trust and support!
We hope you enjoy using our product!

Parts List - Panels

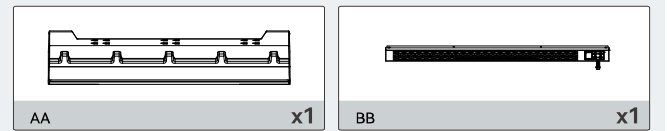
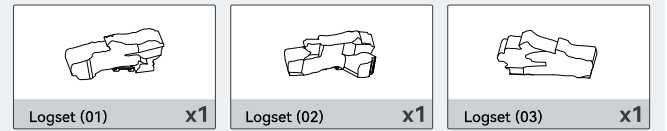
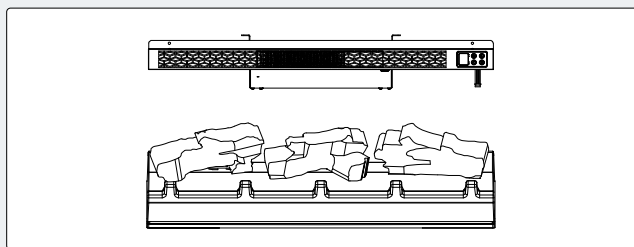


Please check you have all the panels listed below.

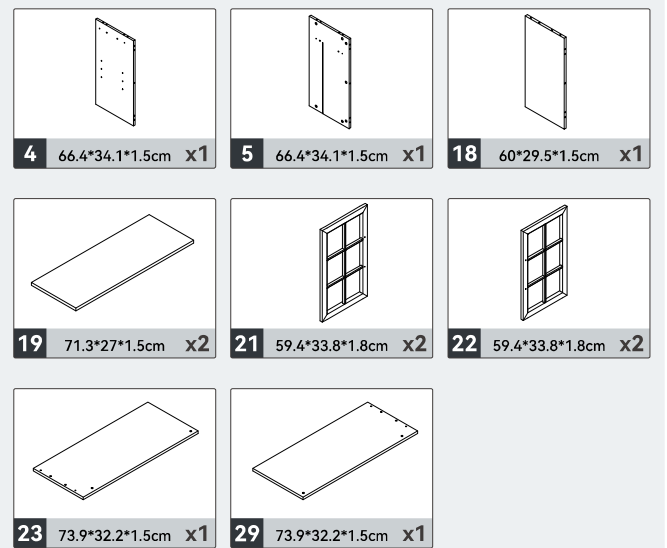
Box 1



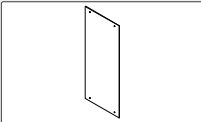

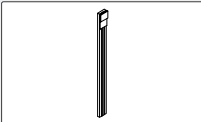
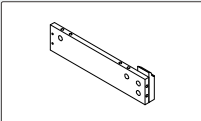
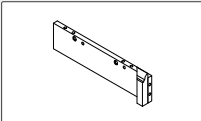
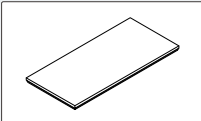
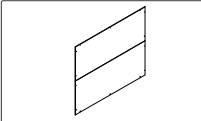
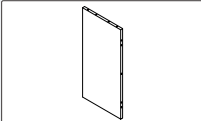

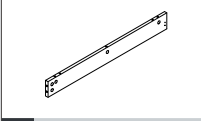
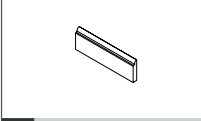
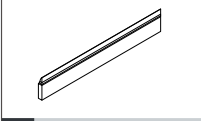
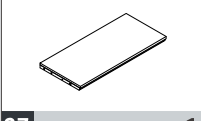

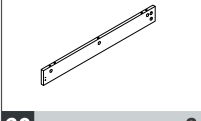
Box 1 (Fireplace)

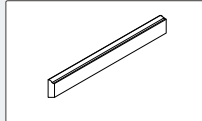
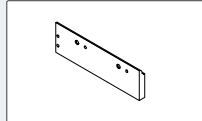


Box 2

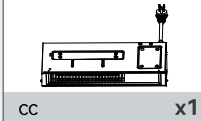


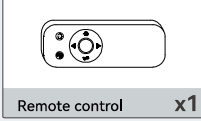
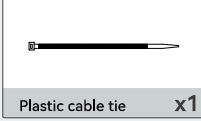


Box 3

 6 51.8*21.9*0.3cm X2	 9 66.4*5*2.5cm X1	 10 66.4*5*2.5cm X1
 12 36.5*10*3.6cm X1	 15 36.5*10*3.6cm X1	 16 76*35.5*3.6cm X1
 17 74.4*63*0.3cm X2	 18 60*29.5*1.5cm X1	 20 60*5*2.8cm X2
 24 73.9*8.5*1.5cm X1	 25 32.2*10*2.1cm X1	 26 76*10*2.1cm X2
 27 76*35.5*3.6cm X1	 28 60*5*2.8cm X1	 30 73.9*8.5*1.5cm X2

 31 76*10*2.1cm X1	 32 32.2*10*2.1cm X1
--	---

Box 3(Fireplace)

 CC X1	 DD X2	 EE X1
 Remote control X1	 Plastic cable tie X1	

Parts List - Fittings (in Box 2)



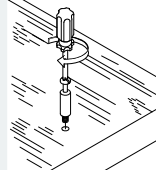
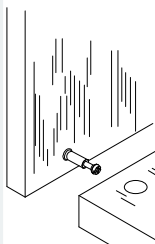
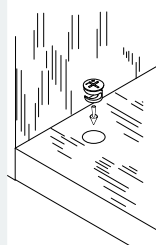
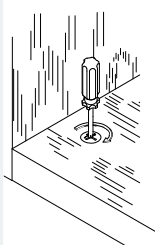
Please check you have all the fittings listed below.

Note: The quantities below are the correct amount to complete the assembly. In some cases more fittings may be supplied.

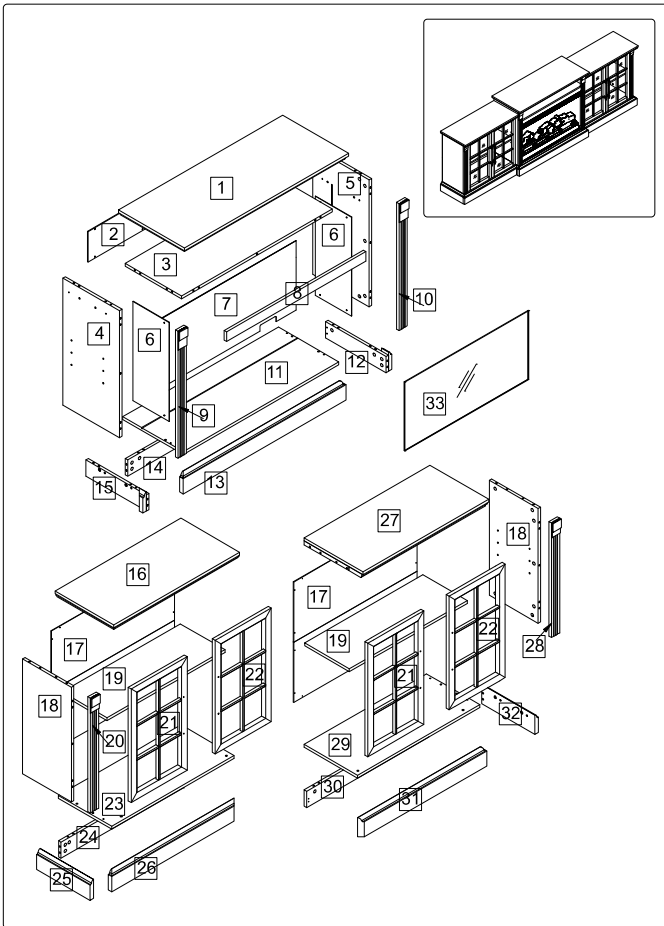
 7*34mm Cam Bolt A x69+4	 Cam Lock B x69+4	 8*30mm Wooden Dowel C x44+4
 Shelf Pin D x8	 Plastic Connector E x17	 Ø1/4*12mm Screw F x34+3
 Magnet G x4	 Sheet iron H x4	 Pivot hinge(Left) I x4
 Pivot hinge(Right) J x4	 Hinge rubber sleeve K x8	 Plastic Connector L x6
 M5*12mm Screw M x4	 Ø5/32*25mm Screw N x8	 Ø2.9*14mm Screw O x16+1
 Ø3.9*12mm Screw P x24+2	 Beauty patch Q x36	 Ø3.5*12mm Screw R x52+4
 Handle S x2	 T x2	 Handle U x4
		 Ø3.5*15mm Screw V x16+1

Using Camlocks

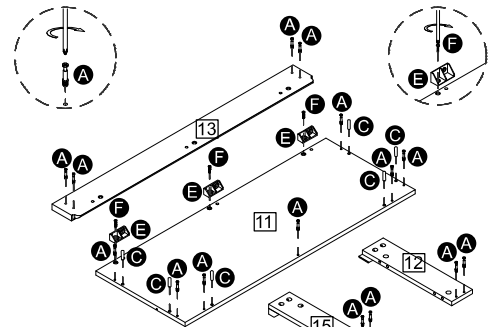
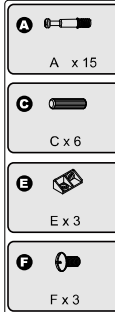


<p>Step 1</p> <p>Connect the male camlock as directed in the assembly instructions using a screwdriver.</p> <p>DO NOT OVER TIGHTEN.</p> 	<p>Step 2</p> <p>Push the male camlock into the entry hole.</p> 
<p>Step 3</p> <p>Insert the female camlock as shown in the instructions.</p> <p>Note: ensure that the arrow on the top of the camlock points towards the entry hole for the male camlock.</p> 	<p>Step 4</p> <p>Turn the female camlock clockwise with a screwdriver.</p> <p>You should feel a click when the camlock is locked in place.</p> <p>The joint is now secure.</p> 

Assembly Instructions

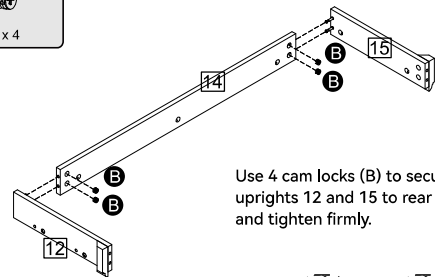


Step 1

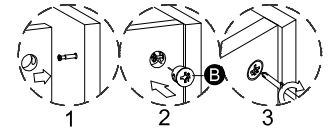


- A. Install 4 cam lock screws (A) on front upright 13.
 B. Use 3 screws (F) to fix 3 plastic fasteners (E) to bottom panel 11. Then install 7 cam lock screws (A) and insert 6 wooden dowels (C) into bottom panel 11.
 C. Install 2 cam lock screws (A) on middle upright 12.
 D. Install 2 cam lock screws (A) on middle upright 15.

Step 2

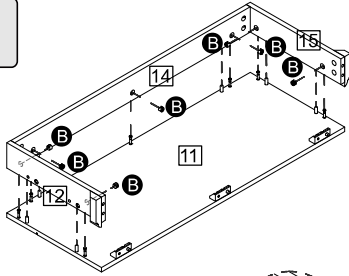


Use 4 cam locks (B) to secure side uprights 12 and 15 to rear upright 14, and tighten firmly.

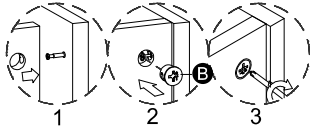


Step 3

B
B x 7



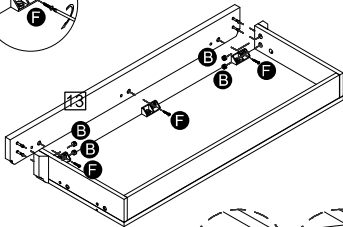
Use 7 cam locks (B) to secure uprights 12, 14, and 15 to bottom panel 11, and tighten firmly.



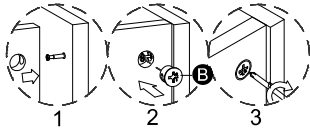
Step 4

F
F x 3

B
B x 4



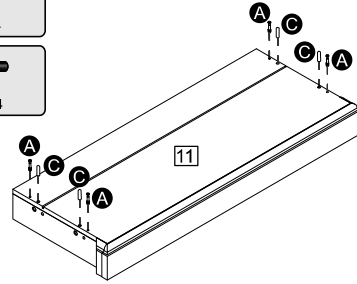
Use 4 cam locks (B) to secure front upright 13 to uprights 12 and 15, tighten firmly, then use 3 screws (F) through the plastic fasteners to secure upright 13.



Step 5

A
A x 4

C
C x 4



Install 4 cam lock screws (A) on bottom panel 11 and insert 4 wooden dowels (C).

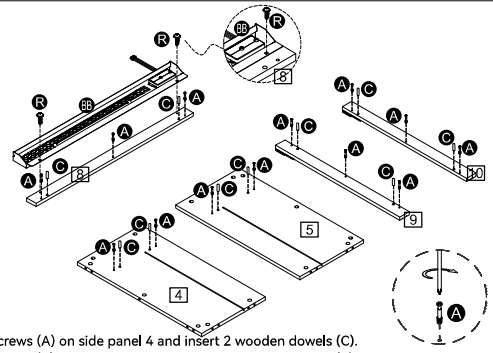


Step 6

A
A x 13

C
C x 10

R
R x 2



A. Install 2 cam lock screws (A) on side panel 4 and insert 2 wooden dowels (C).
B. Install 2 cam lock screws (A) on side panel 5 and insert 2 wooden dowels (C).
C. Install 3 cam lock screws (A) on side front rail 9 and insert 2 wooden dowels (C).
D. Install 3 cam lock screws (A) on side front rail 10 and insert 2 wooden dowels (C).
E. Install 3 cam lock screws (A) on shelf front rail 8 and insert 2 wooden dowels (C).
Then use 2 screws (R) to secure the firebox front frame (BB) to shelf front rail 8.

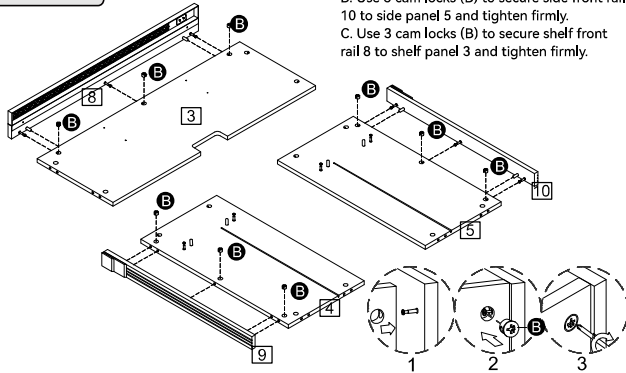


Step 7



B x 9

- A. Use 3 cam locks (B) to secure side front rail 9 to side panel 4 and tighten firmly.
 B. Use 3 cam locks (B) to secure side front rail 10 to side panel 5 and tighten firmly.
 C. Use 3 cam locks (B) to secure shelf front rail 8 to shelf panel 3 and tighten firmly.

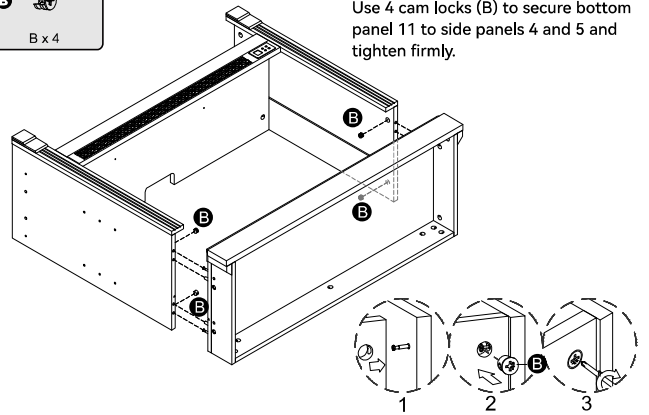


Step 9



B x 4

- Use 4 cam locks (B) to secure bottom panel 11 to side panels 4 and 5 and tighten firmly.

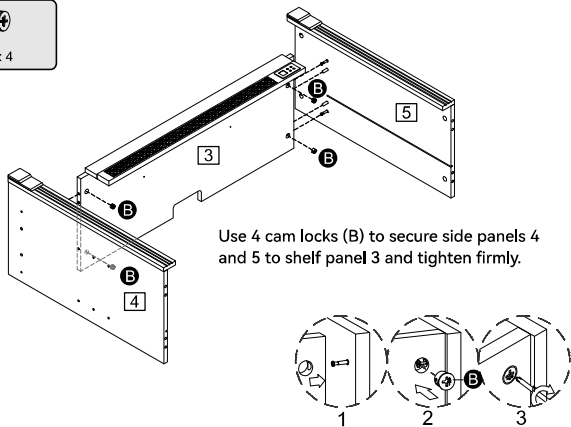


Step 8



B x 4

- Use 4 cam locks (B) to secure side panels 4 and 5 to shelf panel 3 and tighten firmly.



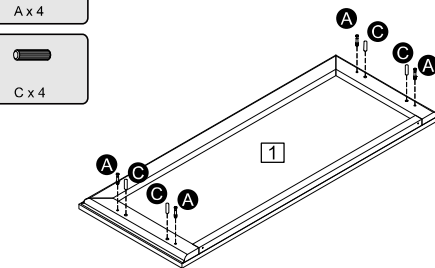
Step 10



A x 4



C x 4



- Install 4 cam lock screws (A) on panel 1 and insert 4 wooden dowels (C).

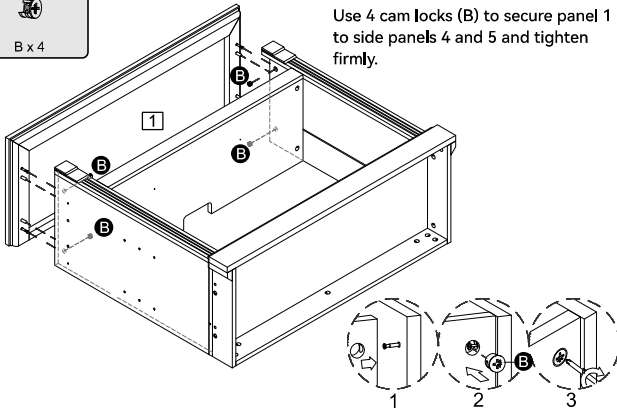


Step 11



B x 4

Use 4 cam locks (B) to secure panel 1 to side panels 4 and 5 and tighten firmly.



Step 12



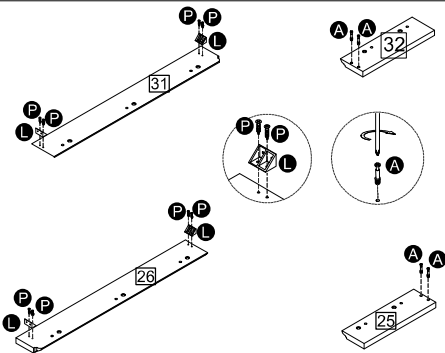
A x 4



L x 4



P x 8



- Install 2 cam lock screws (A) on side upright 32.
- Install 2 cam lock screws (A) on side upright 25.
- Use 4 screws (P) to fix 2 plastic fasteners (L) to front side upright 26.
- Use 4 screws (P) to fix 2 plastic fasteners (L) to front side upright 31.

Step 13



A x 3



P x 2



C x 2



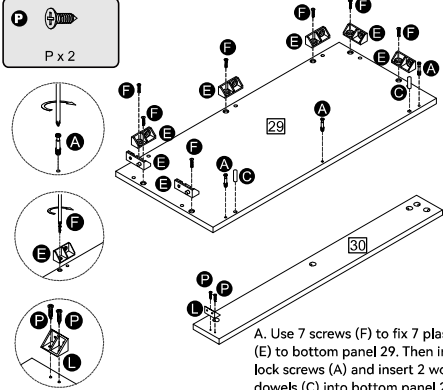
E x 7



F x 7



L x 1



- Use 7 screws (F) to fix 7 plastic fasteners (E) to bottom panel 29. Then install 3 cam lock screws (A) and insert 2 wooden dowels (C) into bottom panel 29.
- Use 2 screws (P) to fix 1 plastic fastener (L) to rear upright 30.

Step 14



A x 3



P x 2



C x 2



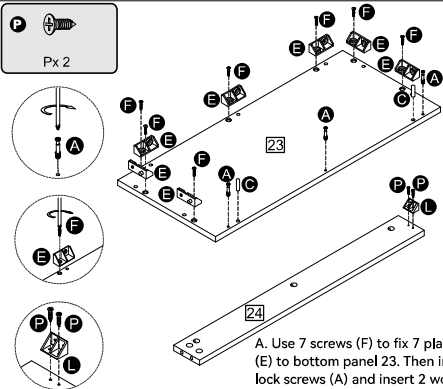
E x 7



F x 7

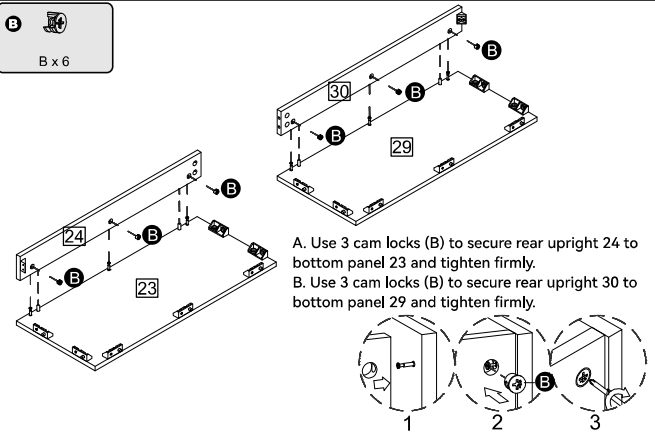


L x 1

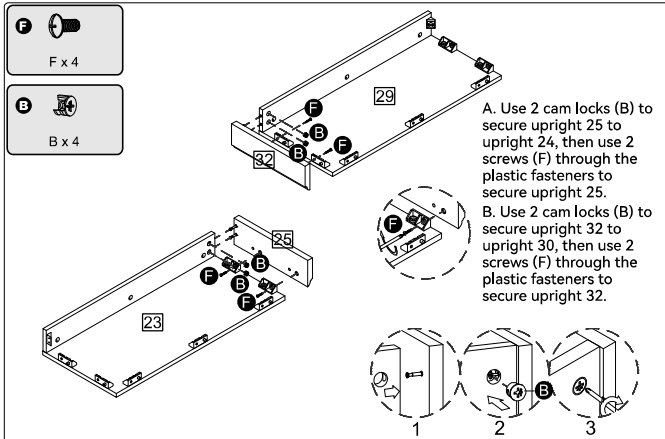


- Use 7 screws (F) to fix 7 plastic fasteners (E) to bottom panel 23. Then install 3 cam lock screws (A) and insert 2 wooden dowels (C) into bottom panel 23.
- Use 2 screws (P) to fix 1 plastic fastener (L) to rear upright 24.

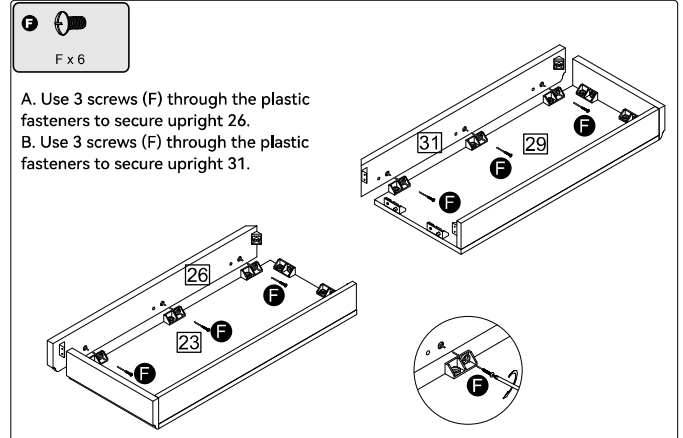
Step 15



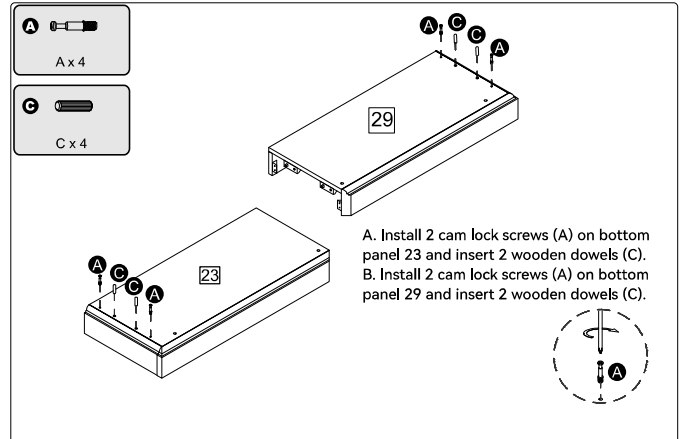
Step 16



Step 17



Step 18



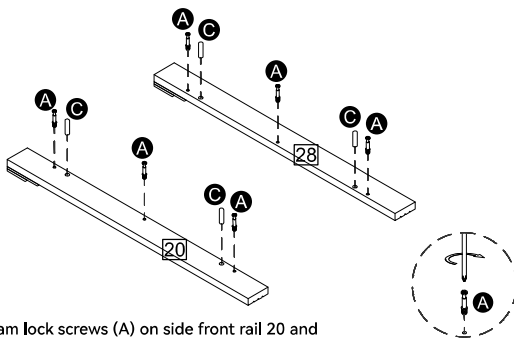
Step 19



A x 6



C x 4

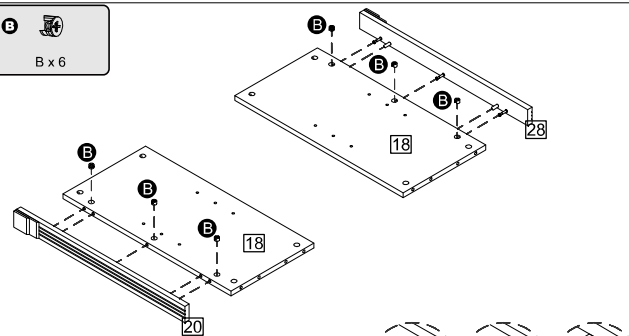


- A. Install 3 cam lock screws (A) on side front rail 20 and insert 2 wooden dowels (C).
 B. Install 3 cam lock screws (A) on side front rail 28 and insert 2 wooden dowels (C).

Step 20



B x 6



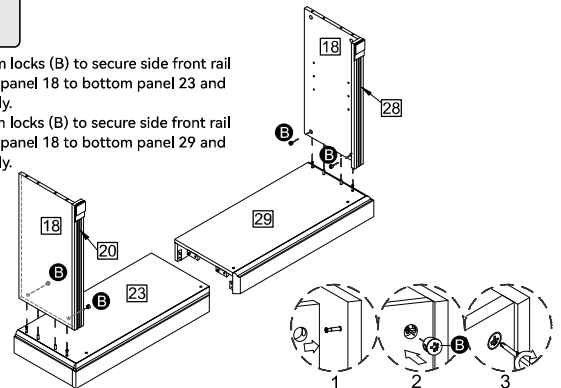
- A. Use 3 cam locks (B) to secure side front rail 20 to side panel 18 and tighten firmly.
 B. Use 3 cam locks (B) to secure side front rail 28 to side panel 18 and tighten firmly.

Step 21



B x 4

- A. Use 2 cam locks (B) to secure side front rail 20 and side panel 18 to bottom panel 23 and tighten firmly.
 B. Use 2 cam locks (B) to secure side front rail 28 and side panel 18 to bottom panel 29 and tighten firmly.



Step 22



A x 4



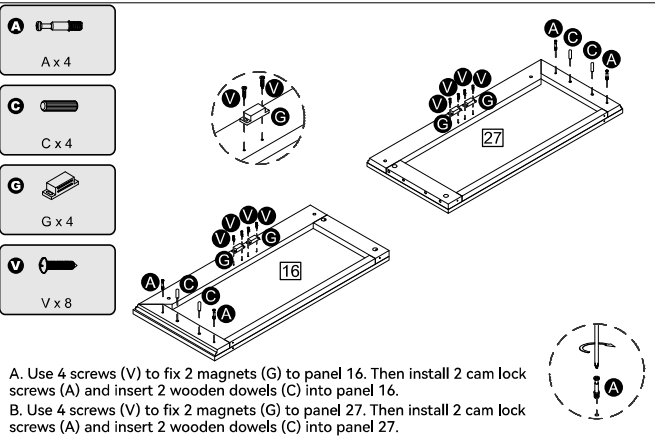
C x 4



G x 4

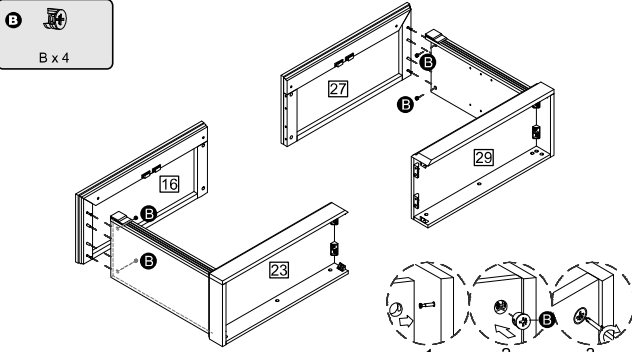


V x 8



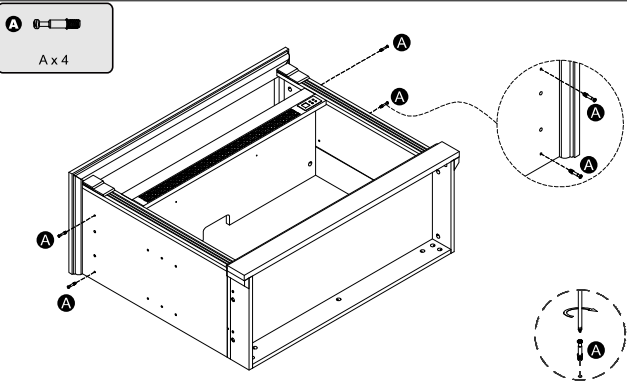
- A. Use 4 screws (V) to fix 2 magnets (G) to panel 16. Then install 2 cam lock screws (A) and insert 2 wooden dowels (C) into panel 16.
 B. Use 4 screws (V) to fix 2 magnets (G) to panel 27. Then install 2 cam lock screws (A) and insert 2 wooden dowels (C) into panel 27.

Step 23



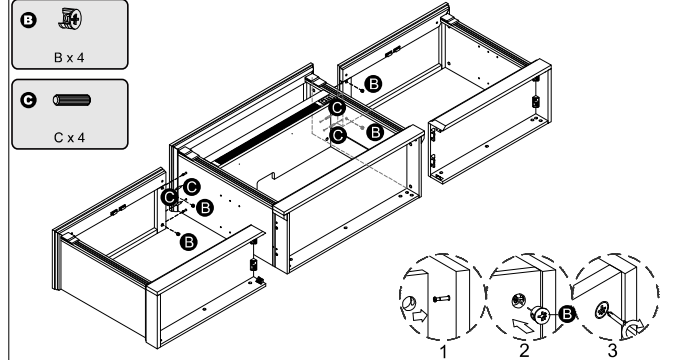
- A. Use 2 cam locks (B) to secure panel 16 to side panel 18 and side front rail 20, and tighten firmly.
 B. Use 2 cam locks (B) to secure panel 27 to side panel 18 and side front rail 28, and tighten firmly.

Step 24



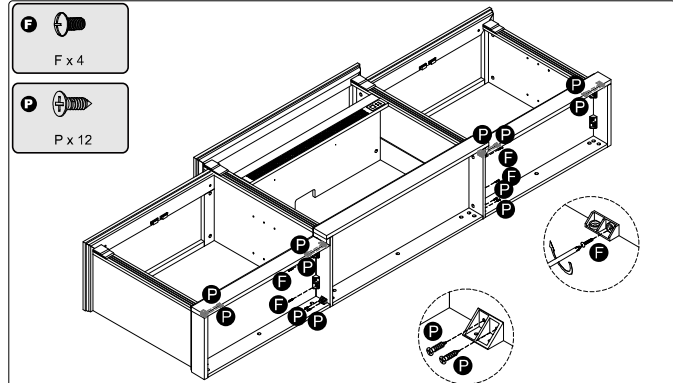
- Install 4 cam lock screws (A) on side panels 4 and 5.

Step 25



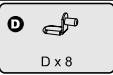
- A. Insert 2 wooden dowels (C) into panel 16, then use 2 cam locks (B) to secure panel 16 to side panel 4.
 B. Insert 2 wooden dowels (C) into panel 27, then use 2 cam locks (B) to secure panel 27 to side panel 5.

Step 26

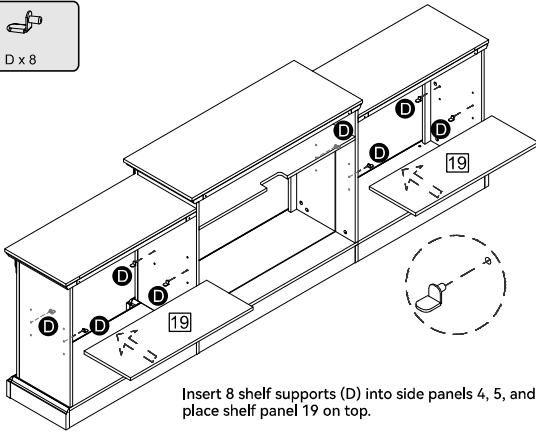


- A. Use 4 screws (F) through the plastic fasteners to secure bottom panels 23 and 29.
 B. Use 12 screws (P) through the plastic fasteners to secure uprights 24, 26, 30, and 31.

Step 27



D x 8

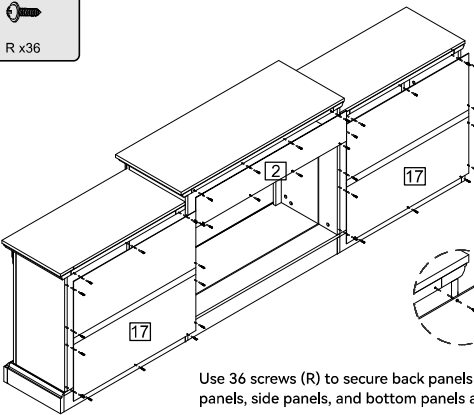


Insert 8 shelf supports (D) into side panels 4, 5, and 18, then place shelf panel 19 on top.

Step 28



R x 36

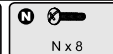


Use 36 screws (R) to secure back panels 2 and 17 to the panels, side panels, and bottom panels as shown.

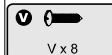
Step 29



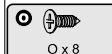
H x 4



N x 8



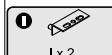
V x 8



O x 8



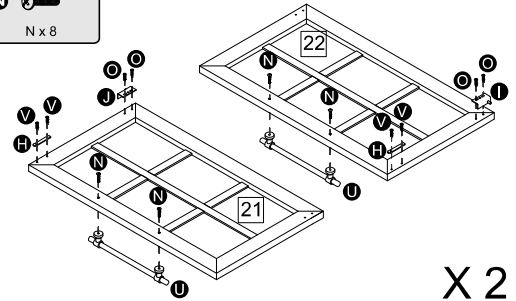
J x 2



I x 2



U x 4



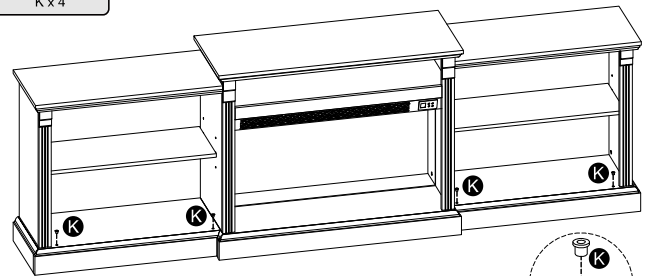
X 2

A. Use 2 screws (V) to secure metal plate (H) to door panel 21. Use 2 screws (O) to secure pivot hinge (J) to door panel 21. Use 2 screws (N) to secure handle (U) to door panel 21.
B. Use 2 screws (V) to secure metal plate (H) to door panel 22. Use 2 screws (O) to secure pivot hinge (J) to door panel 22. Use 2 screws (N) to secure handle (U) to door panel 22.

Step 30

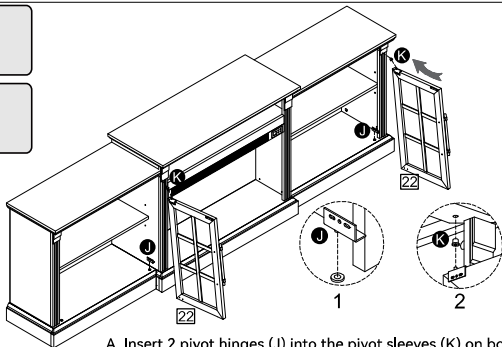
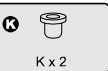


K x 4



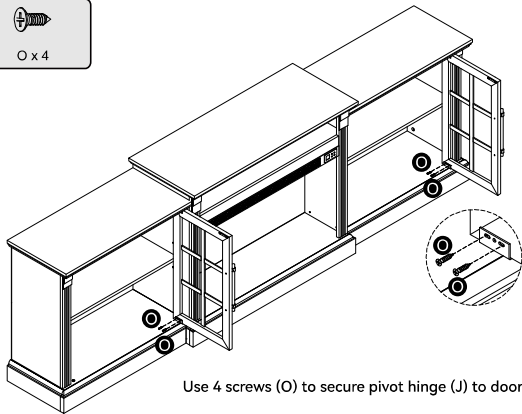
Insert 4 pivot sleeves (K) into the holes of bottom panels 23 and 29 as shown.

Step 31



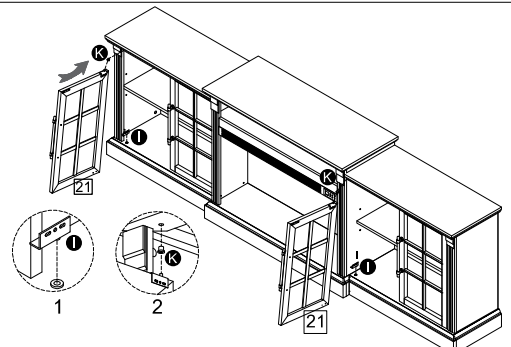
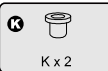
- A. Insert 2 pivot hinges (J) into the pivot sleeves (K) on bottom panels 23 and 29 as shown.
 B. Insert 2 pivot sleeves (K) into the upper pivot hinge on door panel 22, then insert into the holes on panels 16 and 27 as shown.
 C. Place the lower end of door panel 22 onto pivot hinge (J).

Step 32



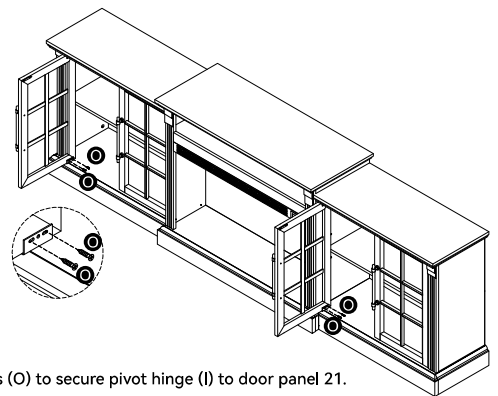
Use 4 screws (O) to secure pivot hinge (J) to door panel 22.

Step 33



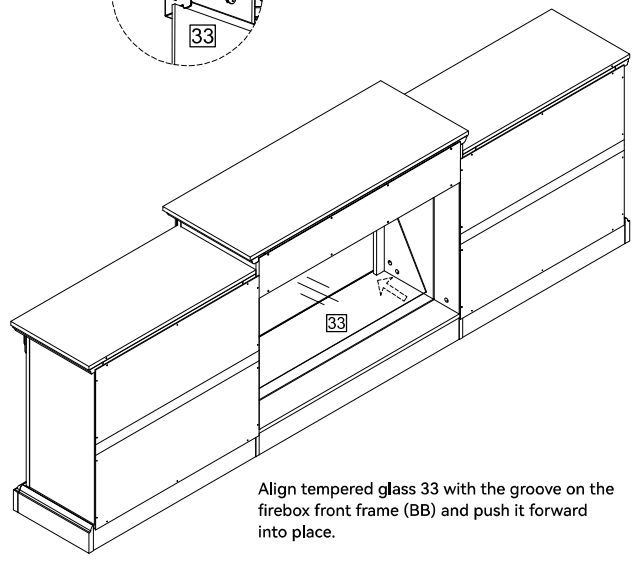
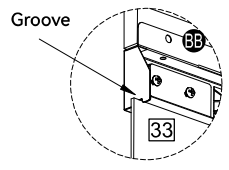
- A. Insert 2 pivot hinges (I) into the pivot sleeves (K) on bottom panels 23 and 29 as shown.
 B. Insert 2 pivot sleeves (K) into the upper pivot hinge on door panel 21, then insert into the holes on panels 16 and 27 as shown.
 C. Place the lower end of door panel 21 onto pivot hinge (I).

Step 34



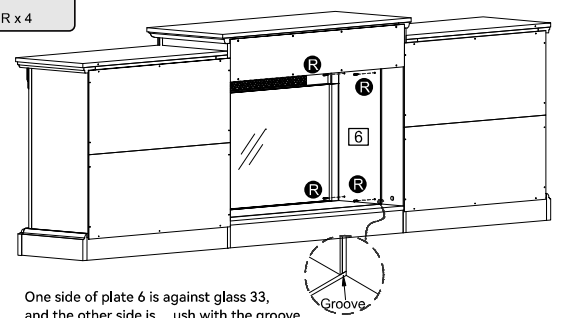
Use 4 screws (O) to secure pivot hinge (I) to door panel 21.

Step 35



Align tempered glass 33 with the groove on the firebox front frame (BB) and push it forward into place.

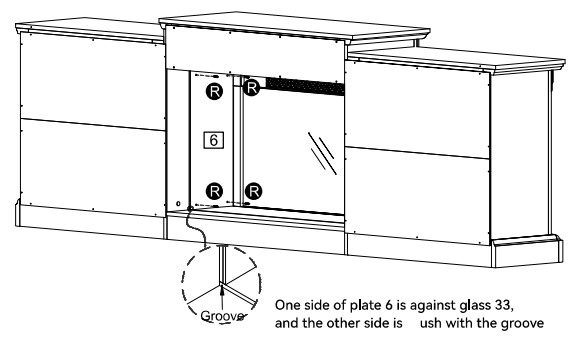
Step 36



One side of plate 6 is against glass 33, and the other side is pushed with the groove

With firebox side panel 6, hold glass No. 33 against one side, align the other side with the groove, then use 4 screws (R) to secure firebox side panel 6 to side panel 4.



Step 37



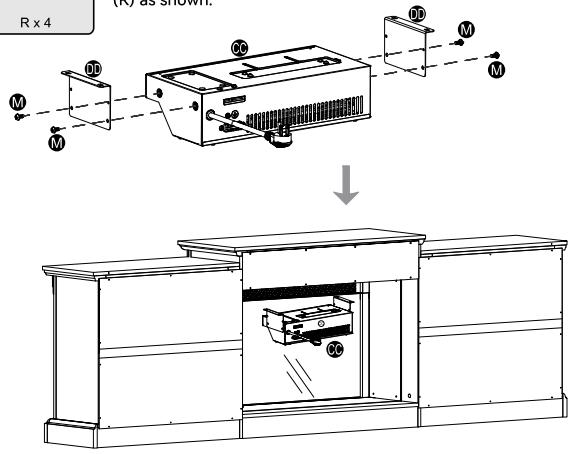
One side of plate 6 is against glass 33, and the other side is pushed with the groove

Repeat the same operation and use 4 screws (R) to secure firebox side panel 6 to side panel 5.

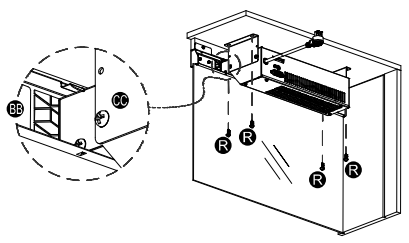
Step 38

- M**  M x 4
- R**  R x 4

A. Use 4 screws (M) to secure hanging bracket (DD) to firebox (CC).
 B. Insert the front air outlet of the firebox assembly into the firebox front frame (BB), then tighten with 4 screws (R) as shown.

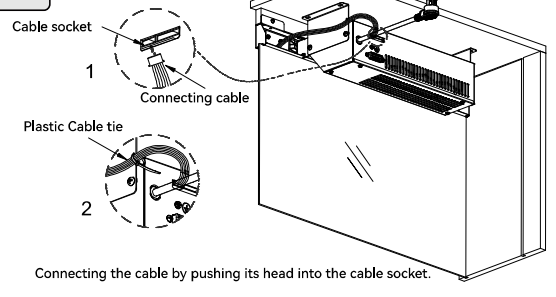


Insert the front outlet of the firebox assembly into the "BB" trim frame and lock the 4 screws.



Step 39

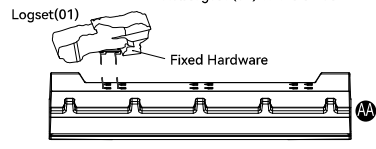
- Plastic Cable tie**
x 1



Insert the keypad cable from firebox front frame (BB) into the firebox socket, then fasten it to hanging bracket (DD) with cable ties as shown.

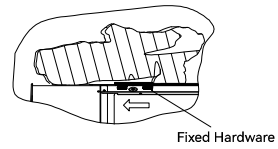
Step 40

Install logset (01) to the ember bed.

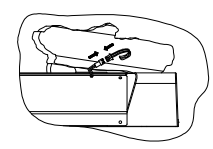


Insert the fixed hardware into the hole of ember bed.

A. Fix "Logset (01)" onto the ash base (Note: first insert the front end of the fixing part into the ash-base mounting hole, then push the log head in the direction of the arrow until it clicks into place).
 B. Connect the rear plug connector.

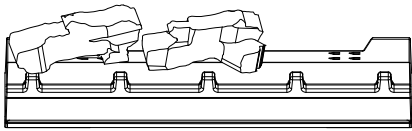


Install the logset, put down and move toward left to make it tightly

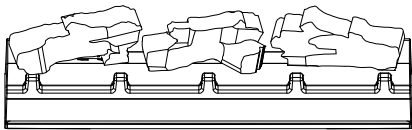


Connect the log set cable

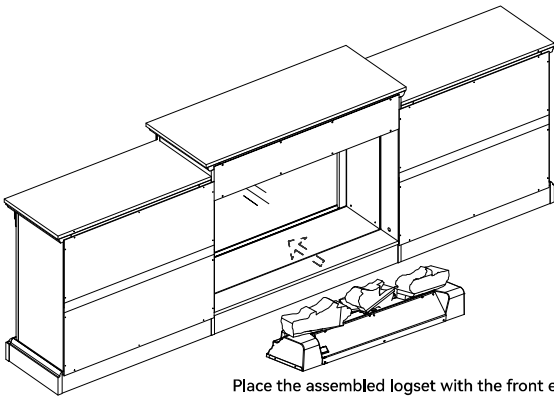
Step 41



- A. Following the method of "Logset (01)", fix "Logset (02)" onto the ash base.
 B. Following the method of "Logset (01)", fix "Logset (03)" onto the ash base.

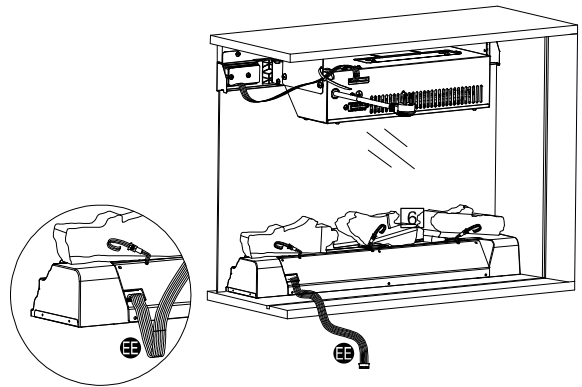


Step 42



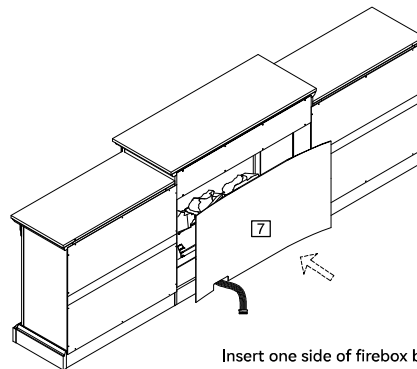
Place the assembled logset with the front end pressed against the glass.

Step 43



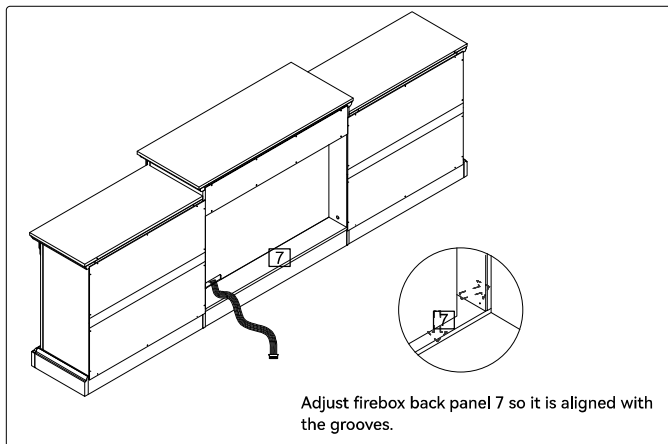
Insert connecting cable EE into the logset socket.

Step 44

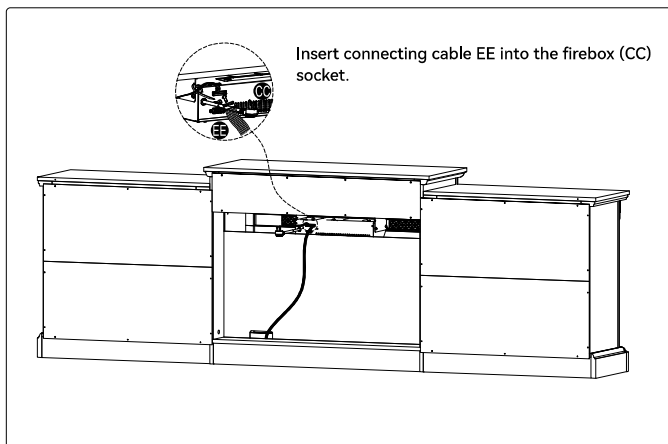


Insert one side of firebox back panel 7 into the groove, gently bend it slightly, then insert the other side.

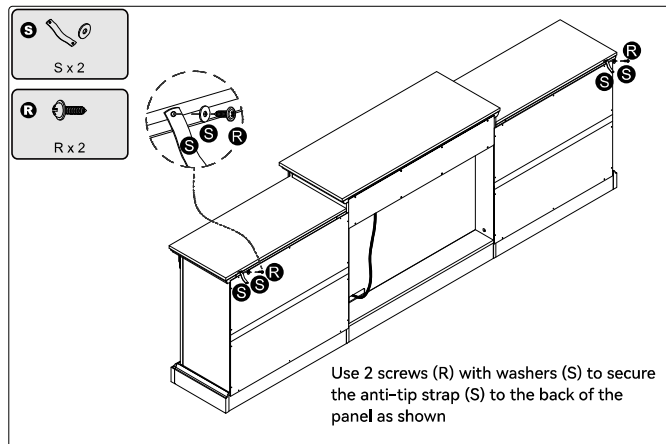
Step 45



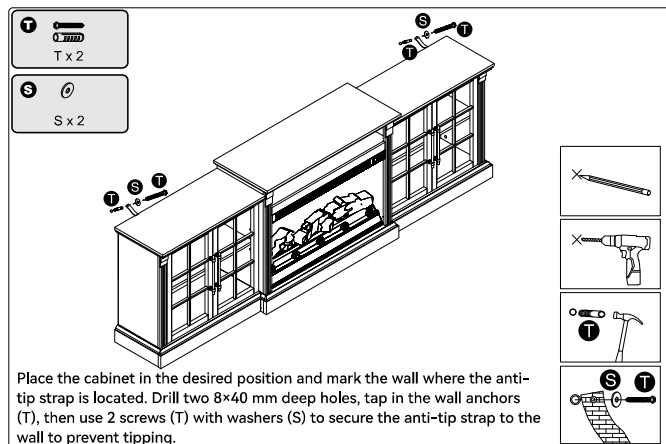
Step 46



Step 47

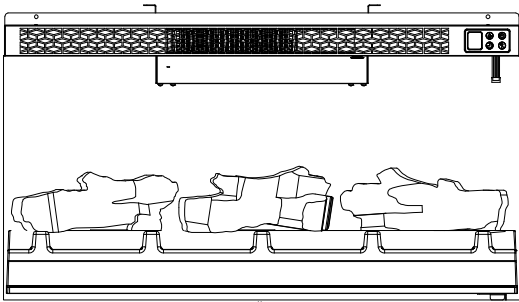


Step 48



USER MANUAL

Electric Fireplace



THIS INSTRUCTION BOOKLET CONTAINS IMPORTANT SAFETY INFORMATION.
PLEASE READ AND KEEP FOR FUTURE REFERENCE.

Safety Information



IMPORTANT SAFETY INFORMATION

PLEASE READ ALL OF THE INFORMATION IN THIS OPERATING MANUAL, INCLUDING ALL SAFETY, OPERATING, AND MAINTENANCE INFORMATION, TO AVOID THE POTENTIAL RISK OF FIRE, ELECTRIC SHOCK, OR INJURY TO PERSONS. USERS SHOULD FOLLOW THE DIRECTIONS AND WARNINGS IN THIS MANUAL.

- Read all instructions before using this heater.
- Do not use this heater outdoors.
- This heater is not intended for use in bathrooms, laundry areas and similar indoor locations. Never locate the heater where it may fall into a bathtub or other water container.
- Do not run the power cord under carpeting. Do not cover the power cord with throw rugs, runners, or the like.
- Arrange the power cord away from traffic areas and where it will not be tripped over.
- To disconnect the heater, turn controls to off, then remove the plug from the outlet.
- Connect to properly grounded outlets only. Always plug heaters directly into a wall outlet/receptacle. Never use with an extension cord or relocatable power tap (outlet/power strip).
- To prevent a possible fire, do not block firebox air intakes or the exhaust in any manner. Do not operate the firebox on soft surfaces, like a bed, where openings may become blocked.
- There is a thermostat limiter inside the heater. When the inner temperature overheats or abnormal heating occurs, the thermostat protective device cuts off the power supply to avoid fireplace damage or risk of fire.
- Use this heater **only** as described in this manual. Any other use not recommended by the manufacturer may cause fire, electrical shock, or injury to persons.

SAVE THESE INSTRUCTIONS

WARNING There are no user serviceable parts inside the fireplace/heater. If the unit appears to malfunction, turn the unit off and unplug the unit from the wall immediately, and contact Customer.

WARNING This heater is hot when in use. To avoid burns, do not let bare skin touch hot surfaces. If provided, use handles when moving this heater. Keep combustible material, such as furniture, pillows, bedding, papers, clothes and curtains at least 3 ft. (0.9 meters) from the front of the heater and keep them away from the sides and rear.

WARNING Extreme caution is necessary when any heater is used by or near children or invalids and whenever the heater is left operating and unattended.

WARNING Always unplug the heater when not in use.

WARNING Do not operate any heater with a damaged cord or plug or after the heater malfunctions, has been dropped or damaged in any manner. Return the heater to an authorized service facility for examination, electrical or mechanical adjustment, or repair.

WARNING Do not insert or allow foreign objects to enter any ventilation or exhaust openings as this may cause an electric shock or fire, or damage the heater.

WARNING Heater has hot and arcing or sparking parts inside. Do not use in areas where gasoline, paint, or flammable liquids are used or stored.

WARNING While the heater is in use, the top center of the fireplace can get hot to the touch and may cause serious injury or burns. Always supervise small children around the fireplace/heater. Do not place any cloth or decorations over the heater outlet of the fireplace, or otherwise obstruct the heater outlet of the fireplace, as this may cause a fire and serious injury may result.

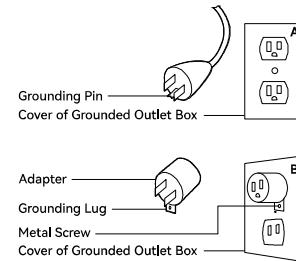
GROUNDING INSTRUCTIONS

DANGER

Improper connection of the equipment-grounding conductor can result in a risk of electric shock. Check with a qualified electrician or serviceman if you are in doubt as to whether the product is properly grounded. Do not modify the plug provided with the product. If it will not fit the outlet, have a proper outlet installed by a qualified electrician.

- This product must be grounded. If it should malfunction or breakdown, grounding provides a path of least resistance for electric current to reduce the risk of electric shock. This product is equipped with a cord having an equipment-grounding conductor and a grounding plug. The plug must be plugged into an appropriate outlet that is properly installed and grounded in accordance with all local codes and ordinances.

- This heater is for use on 120-volt circuits and has a grounded plug. An adapter is available from your local electronics store or online supplier for connecting three-blade grounding-type plugs to two-slot receptacles. The green grounding lug extending from the adapter must be connected to a permanent ground such as a properly grounded outlet box. The adapter should not be used if a three-slot grounded receptacle is available.



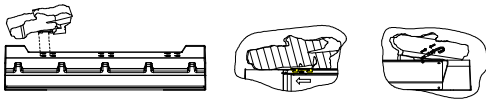
TECHNICAL SPECIFICATION

Power Rating	1400W
Voltage	120V
Frequency	60Hz

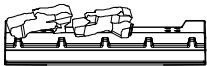
Assembly



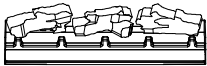
STEP 1 Use screws to lock Bracket A on the heating element.



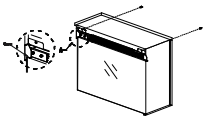
STEP 2 Install Logset 01 to the ember, then connect wiring terminal.



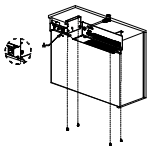
STEP 3 Install Logset 02 to the ember, then connect wiring terminal.



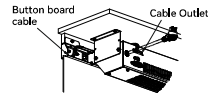
STEP 4 Install Logset 03 to the ember, then connect wiring terminal.



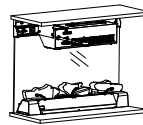
STEP 5 Carefully set the unit from the back of the mantel and center it in the opening. Check the alignment and attach the unit of the mantel by inserting screws through the drilled holes on the crossbar. The top of the glass is embedded in the bottom groove of the hardware frame.



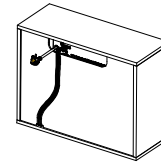
STEP 6 Insert the heater into the middle of the front panel and fix the heater to the top panel with screws.



STEP 7 Insert the button board cable into the outlet of the heater.



STEP 8 Place the assembled logset in front of the glass.



STEP 9 Plug the USB cable into the ember and loop it through the back board to plug in the heater.

Note

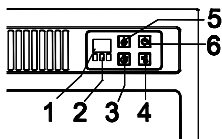
Do not attempt to install the unit from the front of the mantel. It will not fit.

Operation



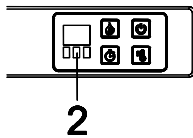
Identifying the control panel

- The control panel is located on the top right corner of the fireplace/heater unit.
- The control panel contains the display unit (1), function indicator (2), timer function (3), heater control (4), flames control (5), and main power (6).
- The display unit (1) displays information about the flame level, time, and current temperature.



Understanding the function indicator

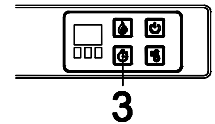
- The function indicator (2) has three square LEDs - red, green, and blue. The red LED indicates that the Fahrenheit temperature heating function is running, the green LED indicates that the Celsius temperature heating function is running, and the blue LED indicates that the timer function is engaged.
- To the bottom of the three LEDs, is the infrared receiver module which communicates with the remote control to control the heater.



Using the timer function

The timer button (3) allows you to set the amount of time you want the fireplace /heater to run. The timer button (3) operates both the flames and the heater function. If the heater is operating when timer is set, then the heater is on the timer. If the flames are operating, then the timer will control the flames. If both the heater and flames are operating with the timer set, then the timer controls both the flames and the heater. Pressing the button in sequence will set the timer for a set interval. This interval period is shown in the display (1), in blue. The set intervals are displayed in this table. The timer interval is set from the time the interval is selected. There is no clock function for turning the heater or flames on or off at a specific time.

Button Press	Timer Interval
1st press	30 Minutes
2nd press	1 Hour
3rd press	2 Hours
4th press	3 Hours
5th press	4 Hours
6th press	5 Hours
7th press	6 Hours
8th press	OFF

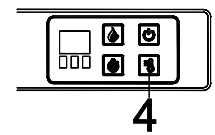


Using the heater control

1. Press the heater on/off button (4) to turn on the heating function. When turned on, the heater will keep in "ON" mode automatically.
2. When the heater is on, long press the heater button for 5 seconds to enter the temperature setting adjustment. The LCD screen (1) will start flashing.
3. Press the heater button to cycle through the temperature level.
4. After choosing your heat level, wait for the LCD screen (1) to flash 2 times. Your temperature is now set.

Note: The heater will automatically pause after reaching the set temperature in your room. If the heater control is set to "ON" the heater will work nonstop until you shut it off manually.

Button Press	Celsius Temperature	Button Press	Fahrenheit Temperature
1	17°C	1	62°F
2	18°C	2	63°F
3	...	3	64°F
...	21°C
6	22°C	11	72°F
7	23°C	12	73°F
8	...	13	74°F
...	26°C
11	27°C	20	81°F
12	ON	21	82°F
		22	ON



Using the flame control

Press the flame control button (5) manually set flame color. The flame color settings are as follows:

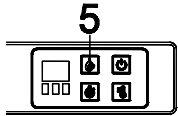
Button Press	Display Value	Flame Appearance	Button Press	Display Value	Flame Appearance
1st press	L1	Orange	5th Press	L5	Red&Orange
2nd press	L2	Blue	6th Press	L6	Red&Orange&Blue
3rd press	L3	Red	7th Press	L7	Cycle
4th press	L4	Red&Blue			

Brightness Control

Long press the flame button(5) for approximate 3 seconds to control the brightness of the flame display. The brightness settings are as follows:

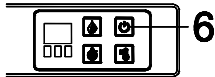
Display	Actual Brightness
b5	Brightest
b4	Bright
b3	Medium
b2	Slightly Darker
b1	Darker

NOTE: Flame brightness is set to 100% by default.

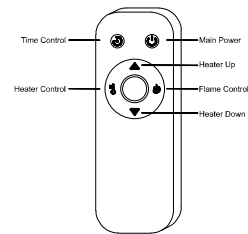


Using the main power button

- Press the power button(6) to turn the fireplace/heater unit on and off. Press the power button(6) once to turn the unit on. Press again to turn the unit off.



Using the Remote Control



Using the Remote control

The operation of the remote control buttons work the same as button on the control panel.

NOTE: The remote control cannot be used to switch between degree Fahrenheit and degree Celsius.

Install the battery

For replacement batteries, use AAA batteries.

Press down and slide back cover of the battery compartment.

Insert two provided AAA batteries into the battery compartment making sure that the ends of the batteries with the negative(-) symbols are against the springs in the battery compartment.

Replace the battery compartment cover, making sure it snaps into position.

WARNING Do not ingest batteries.

NOTE: Battery disposal
Please always dispose of batteries at a suitable recycling point.



Non-rechargeable batteries are not to be recharged.

Batteries are to be inserted with the correct polarity.

Exhausted batteries are to be removed from the product.

Always purchase the correct size and grade of battery most suitable for the intended use.

Replace all batteries of a set at the same time.

Clean the battery contacts and also those of the device prior to battery installation.

Remove batteries from equipment when not used for an extended period of time.

Maintenance and Care



⚠ WARNING

Always disconnect from the power supply before cleaning the heater.
First turn off the main power.
Then remove the electrical plug from the wall outlet.

⚠ WARNING

Do not use this fireplace insert if any part of it has been under water.
Immediately call a qualified service technician to inspect the firebox and
replace any part of the electrical system which has been underwater.

- The blower motor and flame motor are pre-lubricated for a durable using time and need no further lubrication or maintenance. To remove any accumulation of dust or debris, the soft brush attachment of a vacuum cleaner should occasionally be used to clean the outlet grille of the fan heater.
- Use a soft, clean cloth that will not scratch the surface when dusting.
- Use a clean soft cloth dampened with warm water to clean the fireplace surface.
- Do not use household or abrasive cleaners, as these products may damage the surface.
- When cleaning the glass viewing screen use a non-abrasive damp cloth with liquid cleaner or soft soap if necessary; Don NOT use cleaning powders or any other substance with abrasives since these substances will scratch glass.
- Under no circumstances should this product be operated with a broken or chipped glass panel.
- Do not strike or slam the glass.
- In the event that your appliance is stained or otherwise damaged during use, we recommend that you call a professional to it.
- When not in use please unplug the cord from the outlet to prevent any damage or accidents.

Troubleshooting



Problem	Solution
The unit does not turn on.	Check that the unit is fully plugged into a standard 120V outlet. Press the power button on the control panel.
Flame effect is on, but there is no flame effect.	Open the top and back panels to check if the flame spindle has fallen off from the spindle motor.
The heater does not blow warm air.	Make sure the set temperature is higher than the room temperature.
The heater does not work.	Turn all switches to the "OFF" position and unplug the unit from the wall outlet for 5 minutes. After 5 minutes plug the unit back into the wall outlet, and operate as normal.
Remote control does not work.	Use it closer to the unit / change battery.