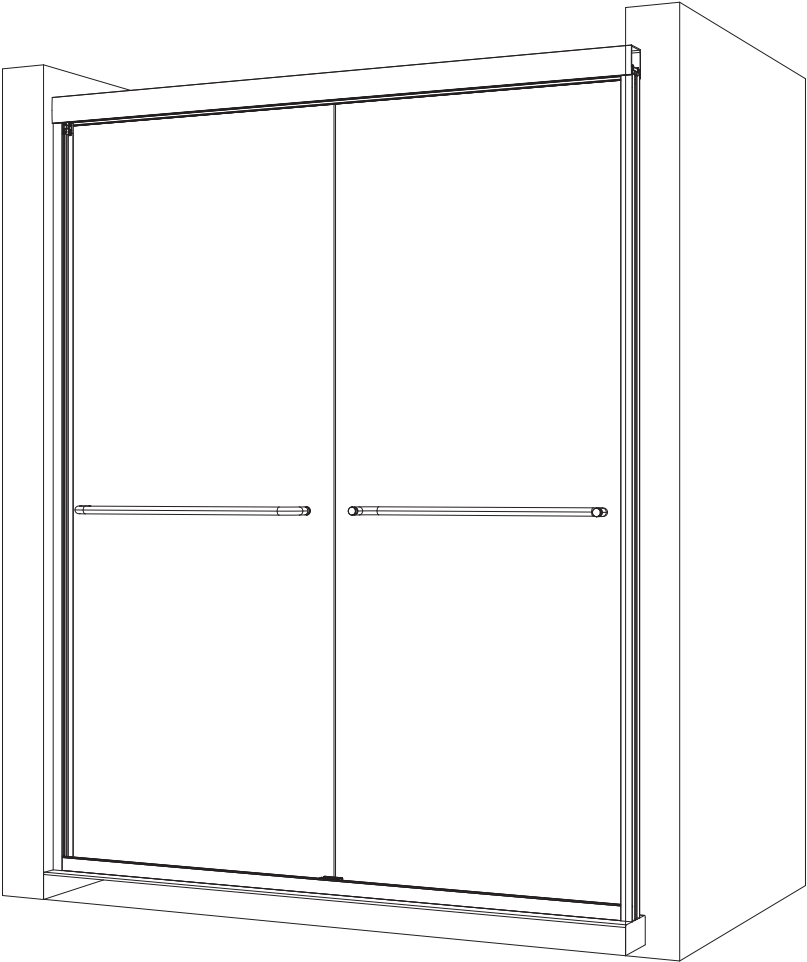
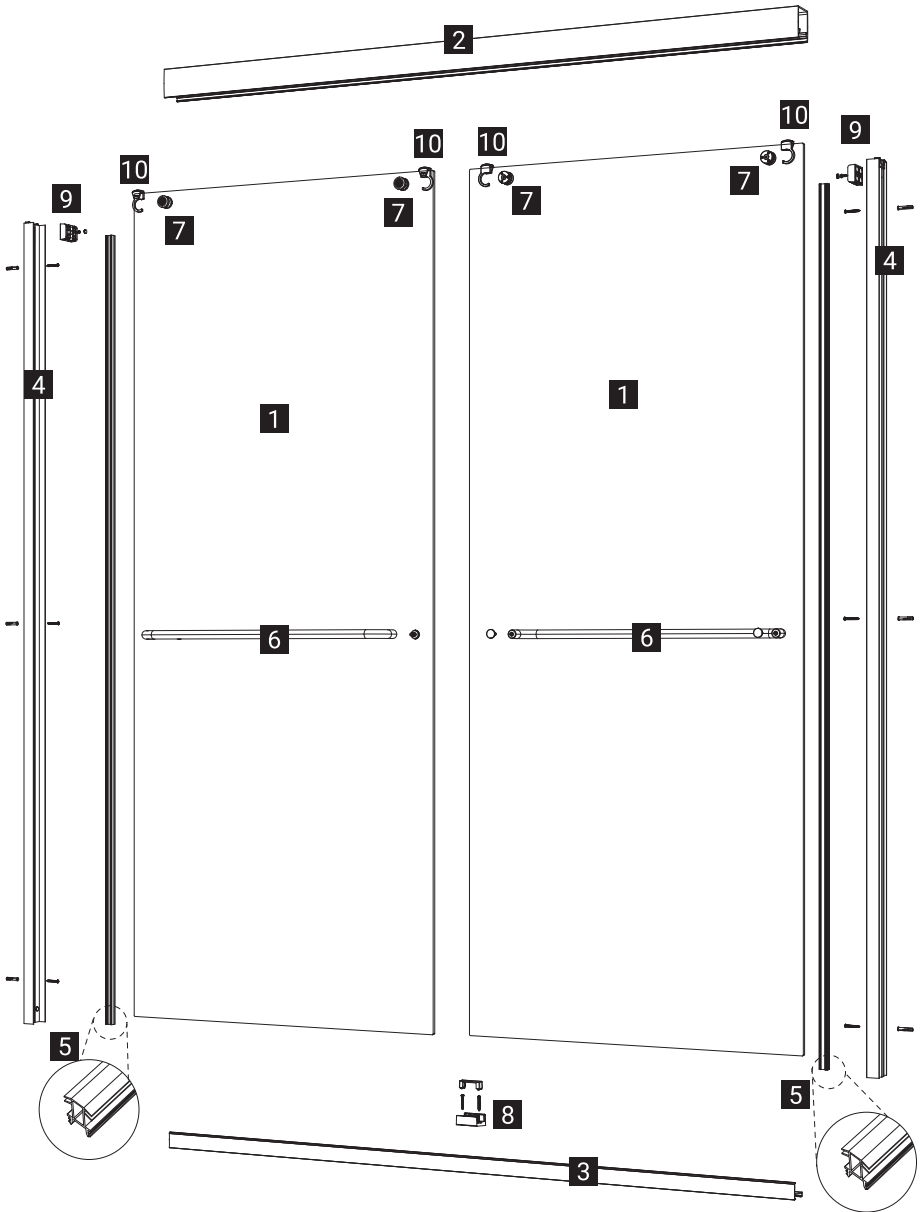


SD06 Double Sliding Shower Door Installation Instruction


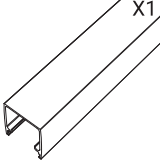
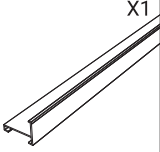
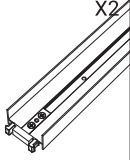
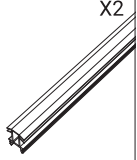
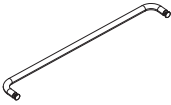

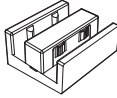
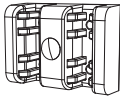
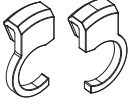


Detail Diagram



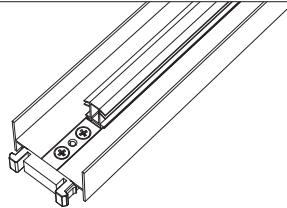
Part List

Check all parts according to the list before assembly
 Feel free to contact us if you need assistance

1  X2	2  X1	3  X1	4  X2	5  X2
Active Panel	Header	Threshold	Vertical Jamb	Rubber Tape
6  X2	7  X4	8  X1	9  X2	10  X4 (L X 2 / R X 2)
Towel Bar	Roller	Bottom Guide	Anti-Collision Rubber	Roller Guard

NOTE

The Rubber Tape has already been pre-installed onto the Vertical Jamb during packaging. Before the actual installation, it is necessary to remove the Rubber Tape. It is recommended to pull it out from the end to avoid damaging the Rubber Tape.



Screws and Expansion Anchors (16 pcs)



ST4x40 Phillips Round Head
 Self-Tapping Screw
 (6pcs)



ST4x12 Phillips Round Head
 Self-Tapping Screw
 (2pcs)

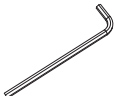


ST4x16 Phillips Countersunk
 Self-Tapping Screws
 (2 pcs)




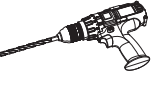
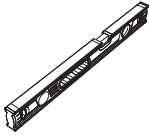




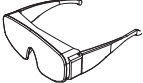


Ø6x25 Gray Expansion
 Anchors
 (6pcs)

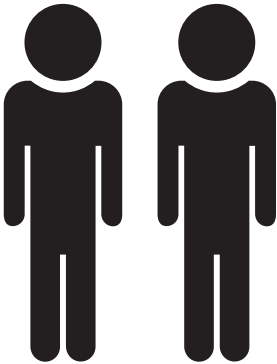
Allen Wrenches 3.0mm (2 pcs)



Recommended Tools

*Utilize Safety Glasses and Safety Gloves when installing this shower door

	 Φ6 and Φ3.2			
Silicone	Drill	Level	Screw Driver	Pencil
				
Safety Gloves	Tape Measure	Safety Glasses	Rubber Mallet	Hacksaw



General Information

Please inspect the product immediately upon receipt for transit damage, missing packs/parts or manufacturing fault. Damage reported later cannot be accepted. Please handle the product with care avoiding knocks and shock loading to all sides and edges of the glass.

Notes: Safety glass can not be re-worked

After use, your shower should be cleaned with soap and water. This is particularly important in hard water districts where insoluble lime salts may be deposited and allowed to build up. Cleaners of a gritty or abrasive nature should not be used. Care should be taken to avoid contact with strong chemicals such as organic solvents and strippers.

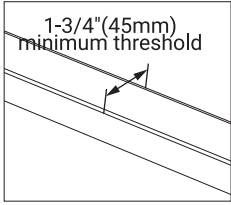
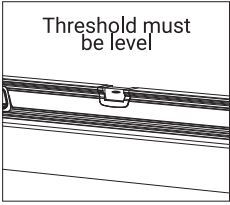
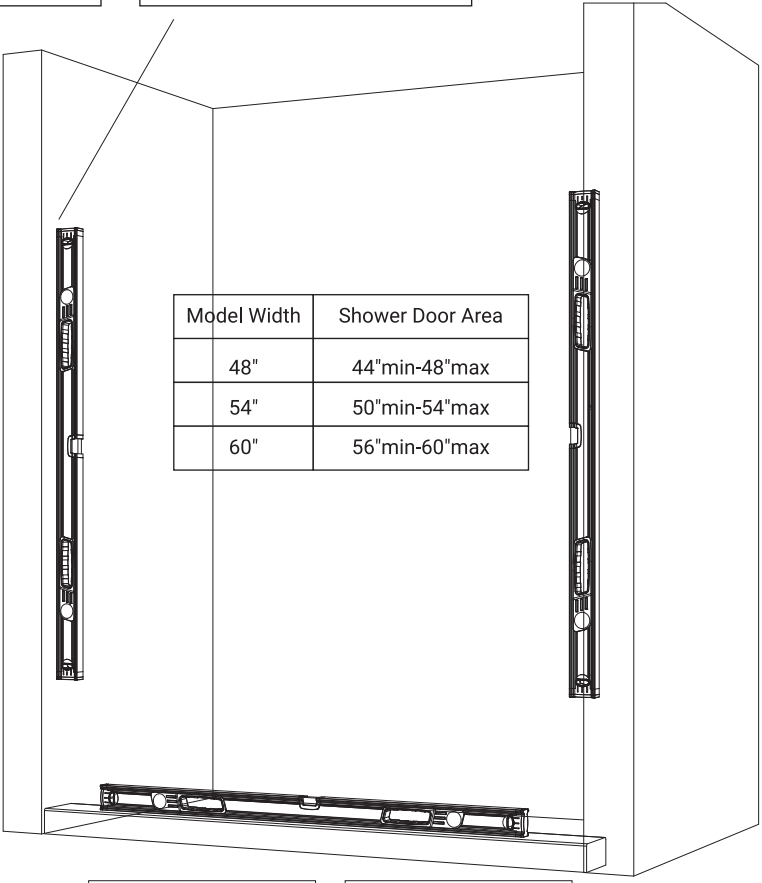
Glass cleaners can be used but with caution, if in doubt contact the manufacturer of the cleaner in question.

Please keep these instructions for aftercare and customer service details.

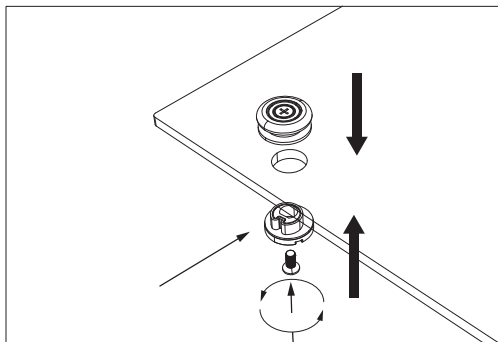
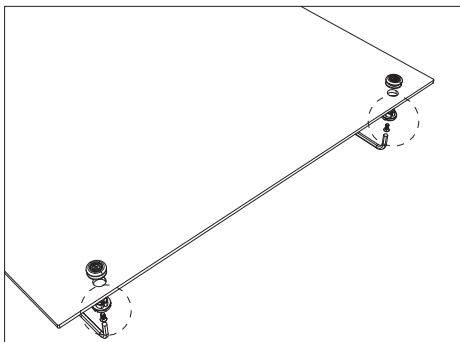
- 01 Use a level to measure both side walls to verify whether they are vertically aligned or inclined. Next, confirm that the base surface is horizontally level. If necessary, make appropriate adjustments prior to installation.

Required
Verify threshold and wall with a level.

Ensure the installation location maintains a clearance greater than 1/4" from the bathtub or wall outline.



- 02 Install the four rollers for the two glass panels as shown in the picture.



NOTE:

To facilitate subsequent height adjustments of the glass panels, ensure this component is oriented toward the outside of the glass, as illustrated.

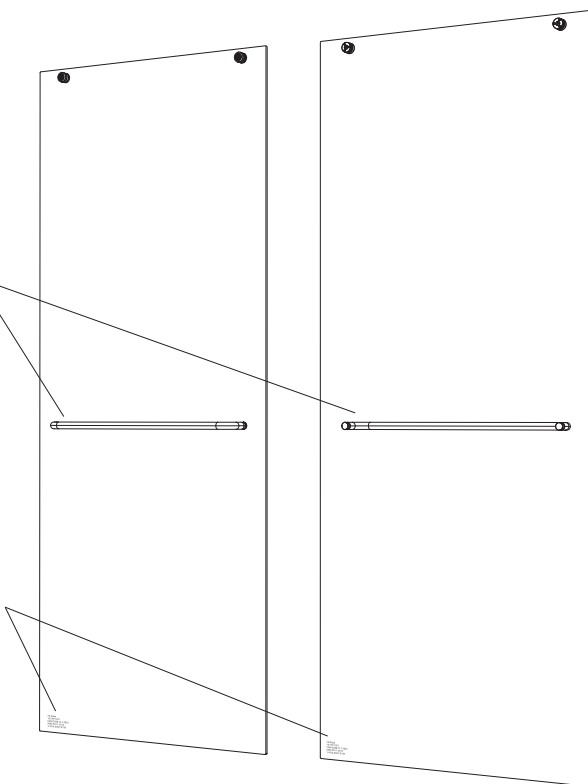
- 03 Position the rollers and handles according to the illustration for the desired final installation result.



It is recommended to install the handles at the final stage. If installed earlier, strictly avoid using the handles to lift or carry the glass panels.

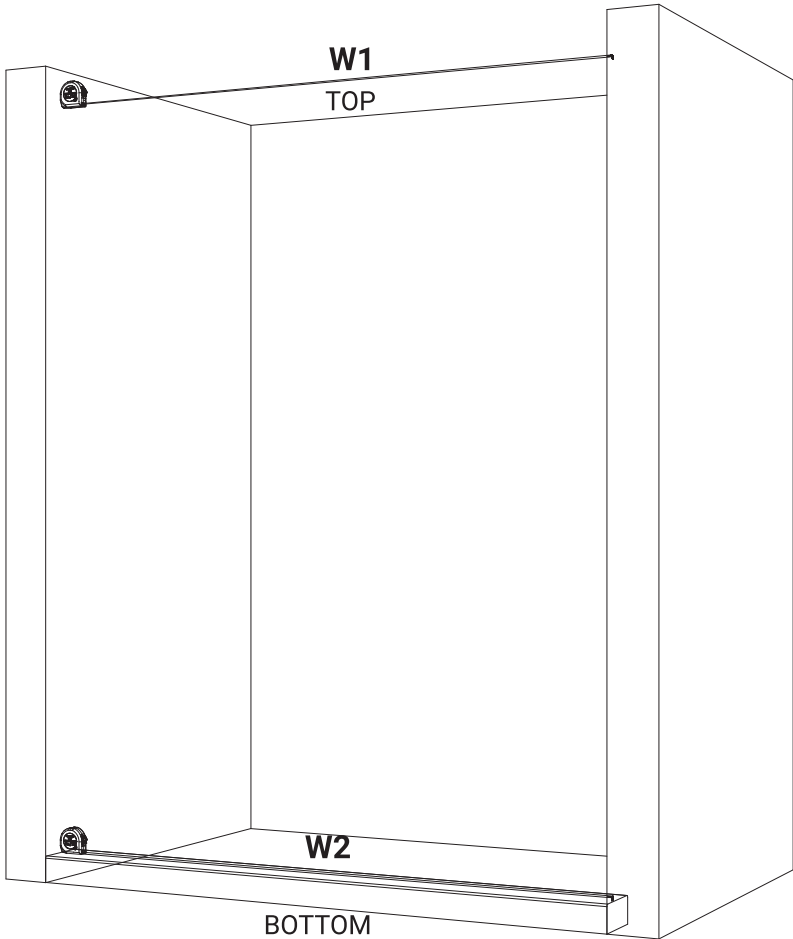


Determine the correct inside-outside orientation of the glass panel by referring to the text marked on one corner. The raised text surface should face inward toward the shower area, and the text should read correctly when viewed from outside the shower enclosure.



- 04 1. Measure the finished opening width at the base and at the specified height of the model. Record these dimensions as "W1" (top) and "W2" (bottom) for use in Step #5.
- 2. Meanwhile, verify whether the threshold is level and the walls are vertical (plumb).

This model will only accommodate up to 1/4"(6mm) for out-of-plumb condition.

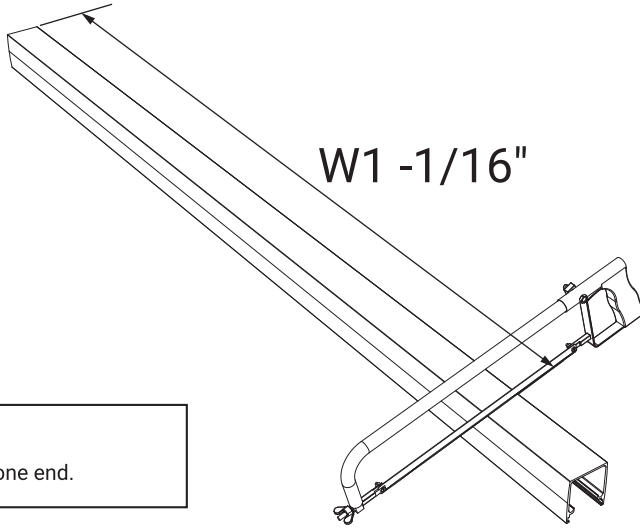


Finished opening top (W1) _____

Finished opening bottom (W2) _____

- 05 Use a wood saw or hacksaw to cut the Header and Threshold, adjusting their lengths to match the finished opening width.

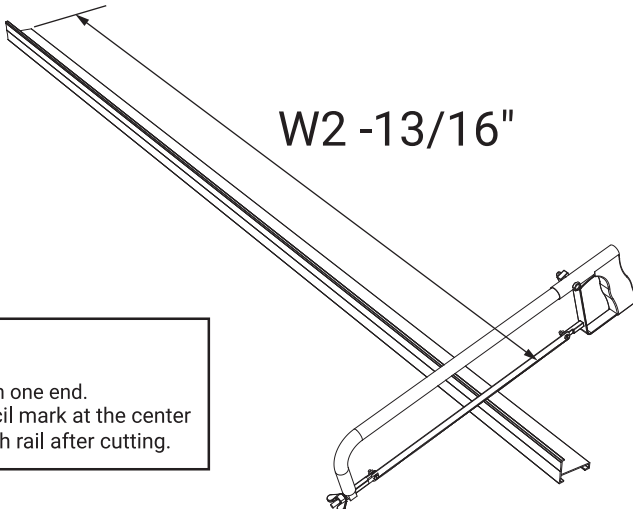
Cut the Header to: "W1"(top) dimension -1/16"



Header

Only cut from one end.

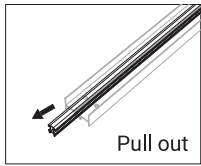
Cut the Threshold to: "W2"(bottom) dimension - 13/16"
Use a metal file to remove any burrs from the cut ends.



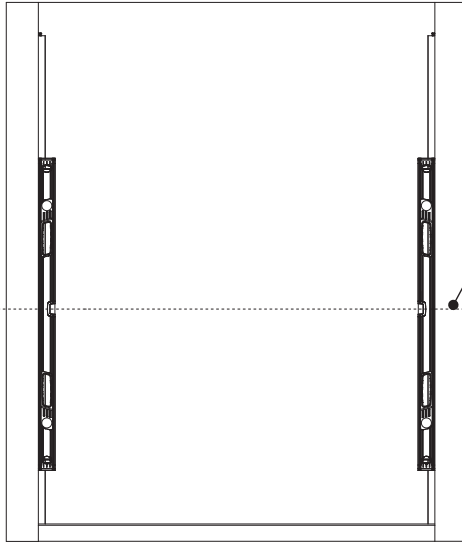
Threshold

Only cut from one end.
Make a pencil mark at the center point on each rail after cutting.

- 06 Before starting this step, pull out the pre-installed rubber strips from the ends. Ensure that the left and right Vertical Jamb are as parallel to each other as possible before marking the wall for drilling.

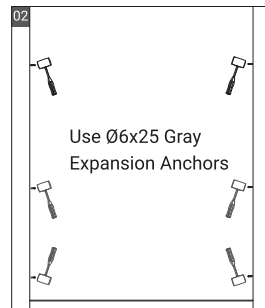
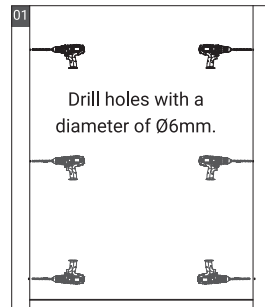
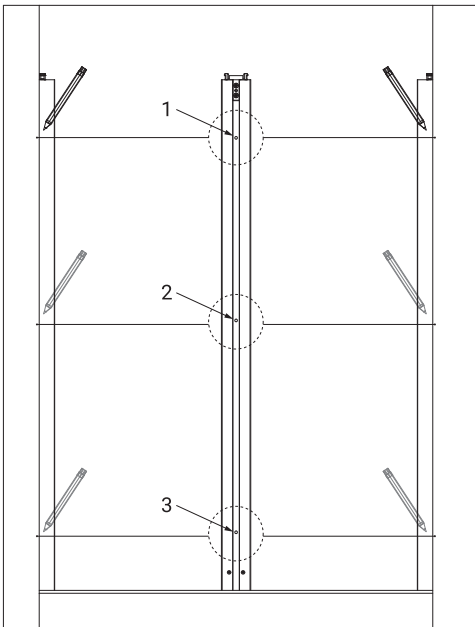


Before starting this step, pull out the Rubber Tape from the end to avoid damaging it.

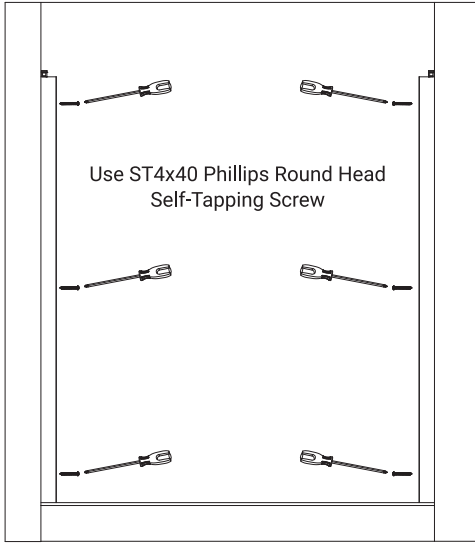


Required
Ensure that both Vertical Jambes are kept as parallel to each other as possible.

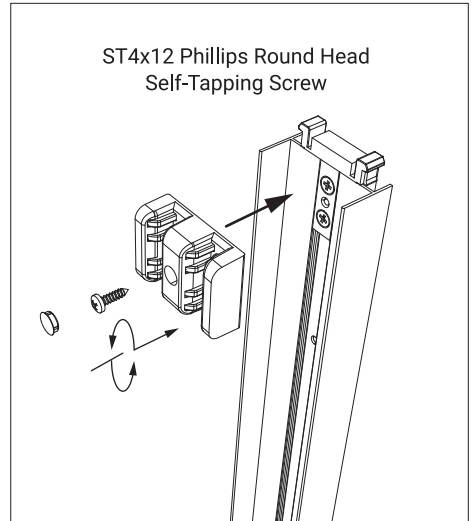
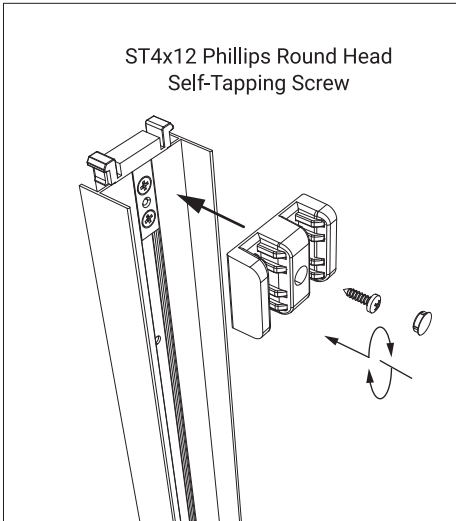
- 07 As shown in the figure, simply use vertical jamba to mark and drill holes between the left and right wall materials. Then use a 6 mm diameter drill bit to drill holes at the marked locations, and finally use a hammer to drive the Ø6x25 gray expansion anchor bolts into the holes.



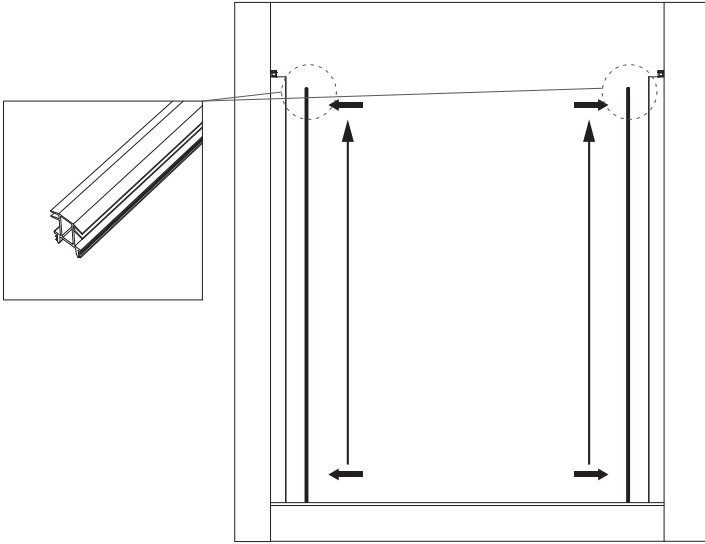
- 08 Use ST4x40 Phillips Round Head Self-Tapping Screws to secure the Vertical Jamb.



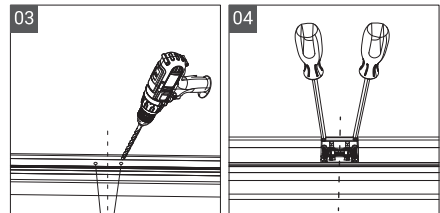
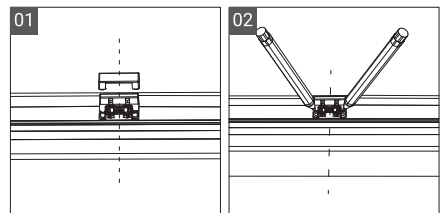
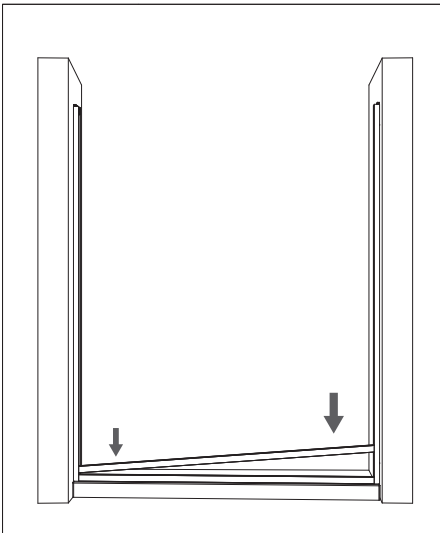
- 09 Install the Anti-Collision Rubber on both sides.



- 10 Press the rubber tape into the groove from bottom to top.



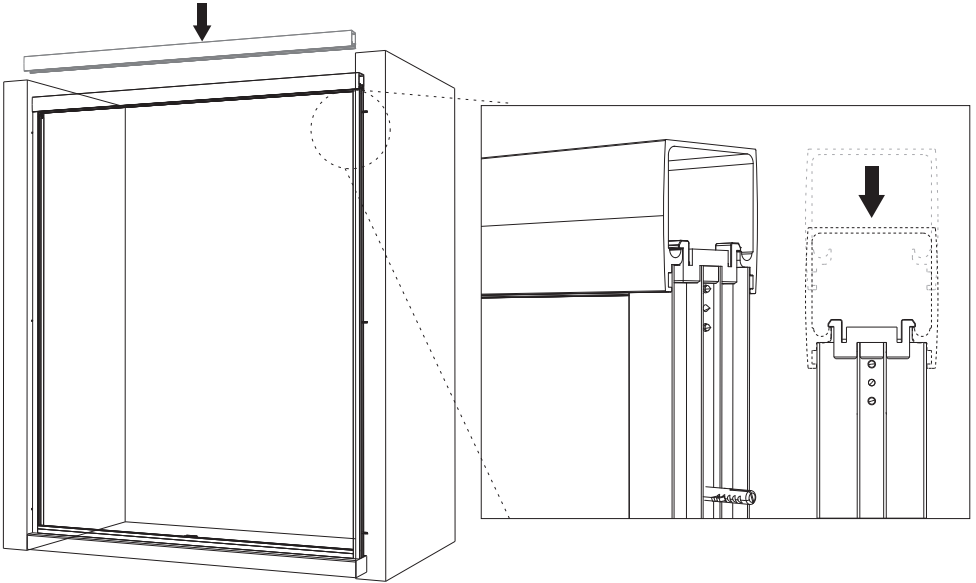
- 11 Position the Bottom Guide at the center mark of the threshold. Remove the decorative cover and set it aside. Mark the screw holes on the threshold with a pencil. Drill the holes using a 3.2mm diameter drill bit, then secure the Bottom Guide with ST4x16 Phillips Countersunk Self-Tapping Screws.



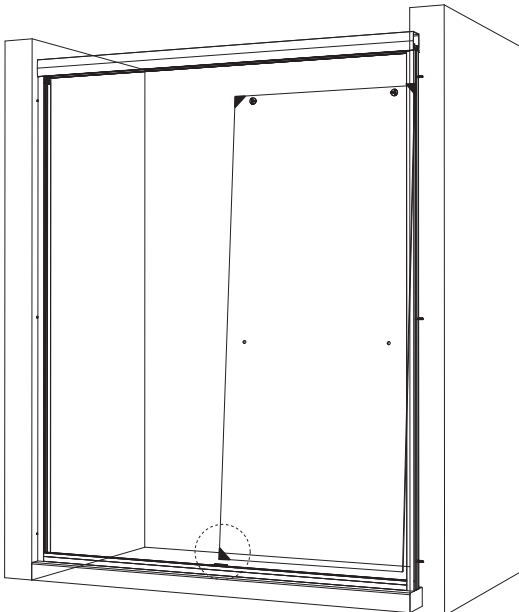
Φ3.2

ST4x16 Phillips
Countersunk
Self-Tapping Screws

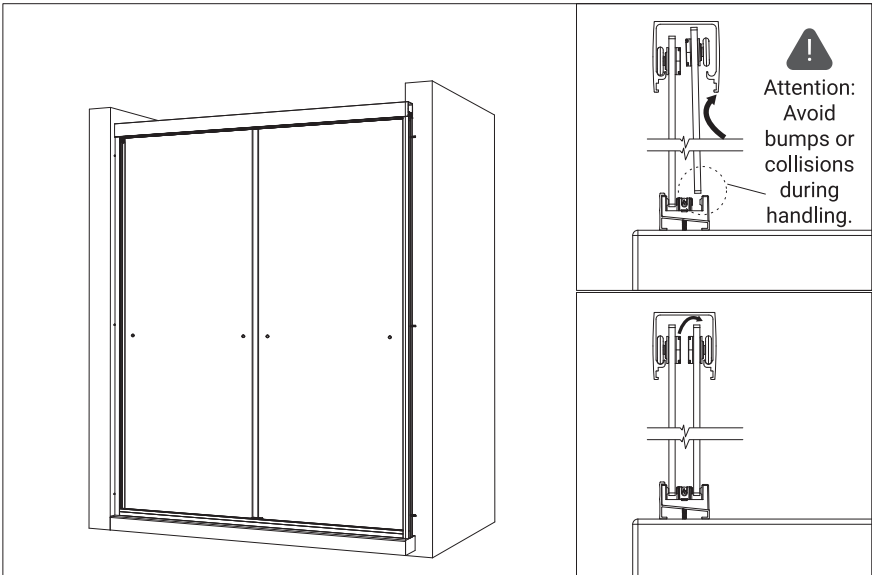
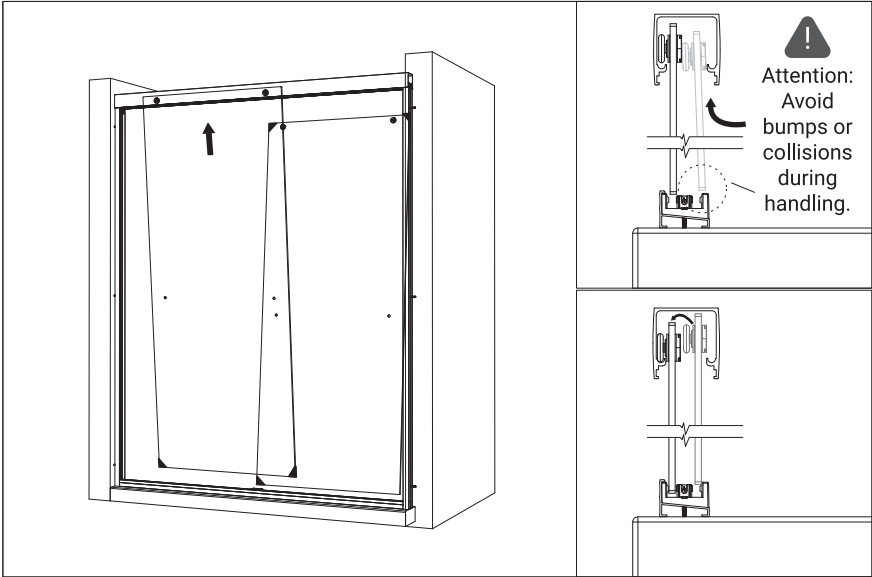
- 12 Secure the Header in the mounting brackets.



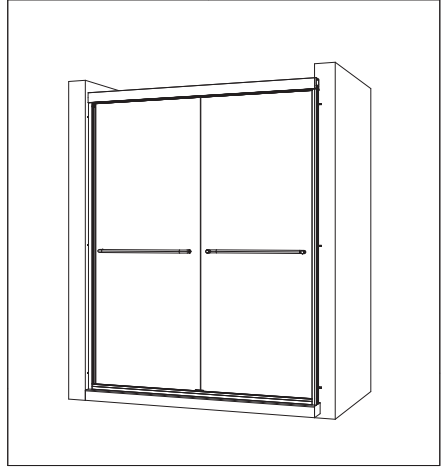
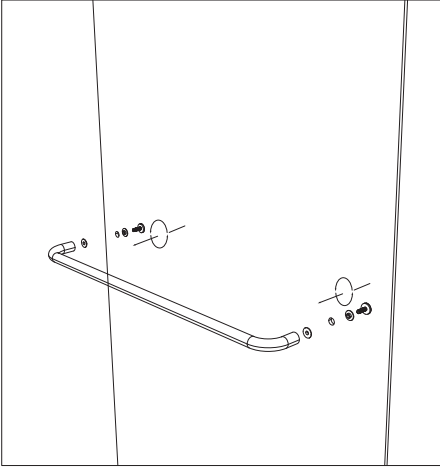
- 13 Lift the glass door designated for the inner side into position (keep the corner protection pads on the glass to prevent damage).



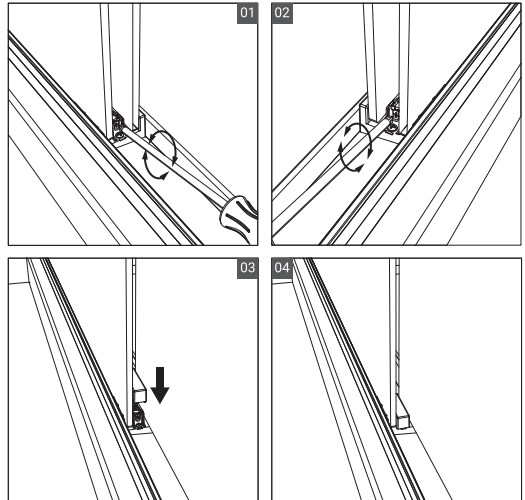
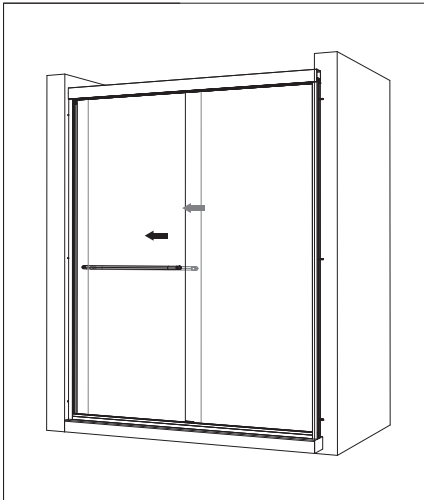
- 14 Lift the glass door designated for the outer side into place. Insert the top rollers into the Header first, then guide the bottom edge of the glass into the slider. Repeat the same procedure for the inner glass door.



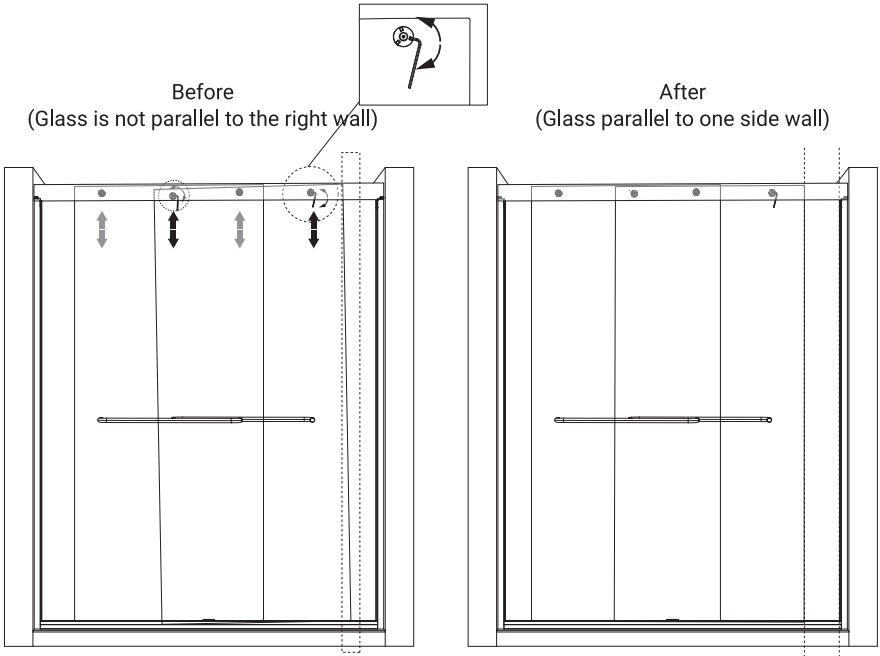
- 15 Install the towel bar on both sides of the shower door glass as shown in the illustration.



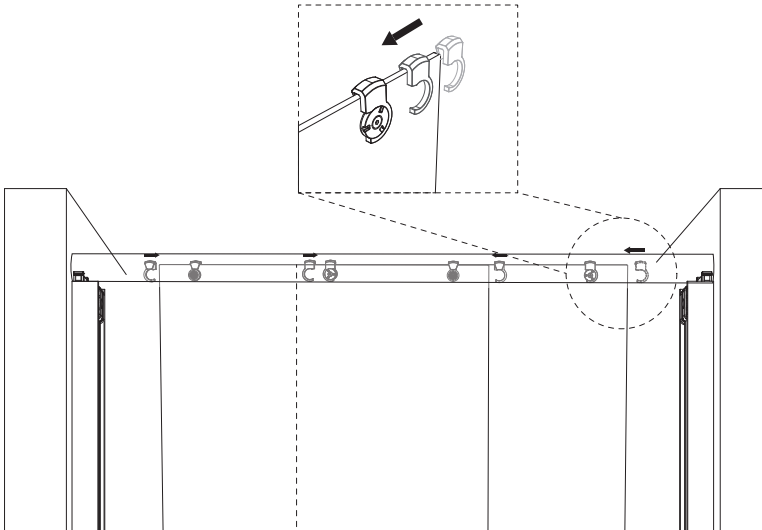
- 16 Test the sliding function of both doors. If the glass is unstable or difficult to slide, you can adjust the tension by slightly tightening or loosening the screws on either side of the Bottom Guide.



- 17 Adjust the rollers eccentrically to ensure the door is perpendicular to the wall.
 Note: In cases where the wall is uneven, vertical alignment can only be achieved on one side.



- 18 Slide the hook from one side of the glass toward the roller until it is in position, as shown in the illustration.



- 19 Finally, apply silicone sealant along both sides of the shower door and the threshold as shown in the illustration. Allow it to cure for 24 hours before using the shower normally.

