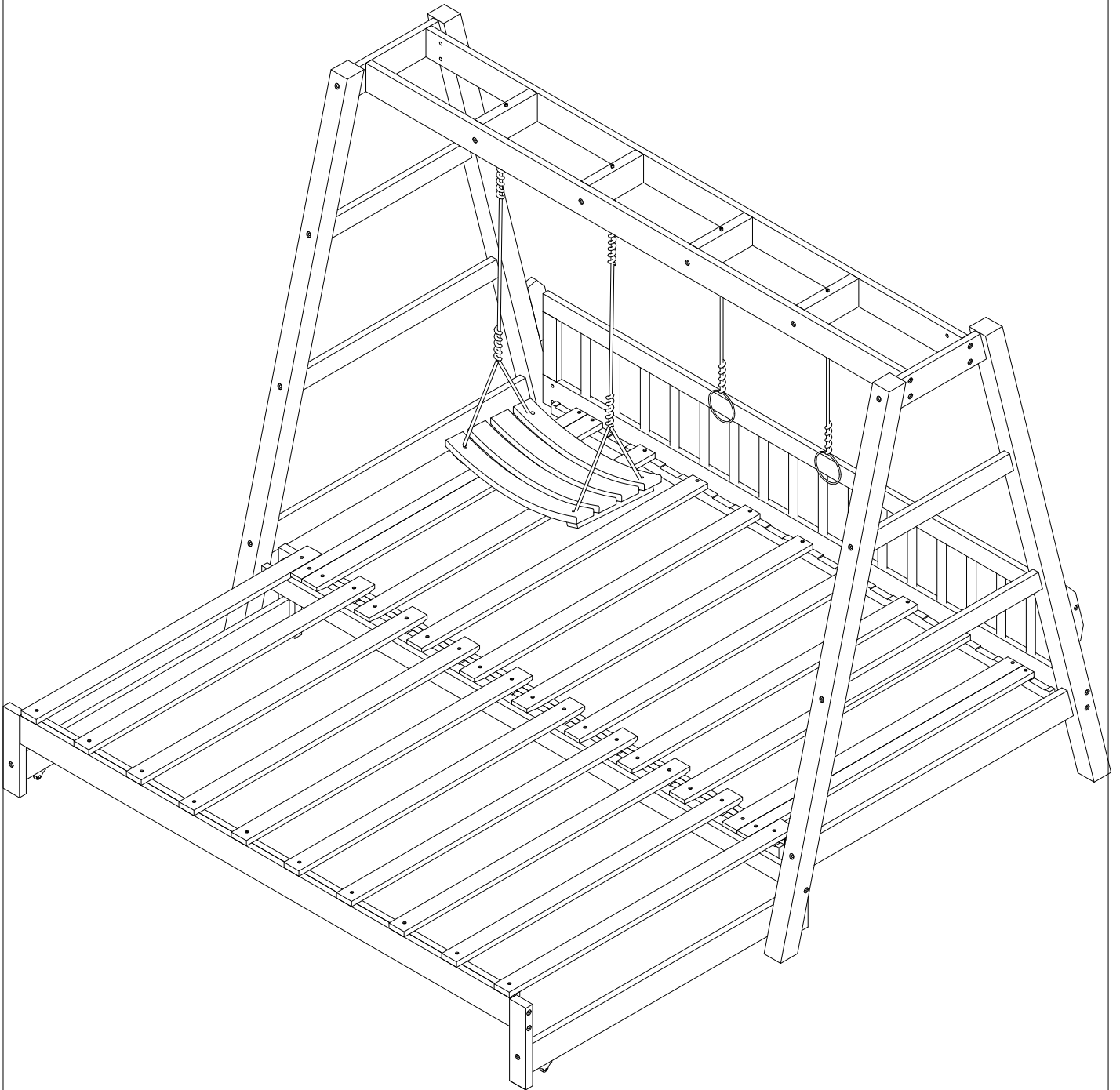
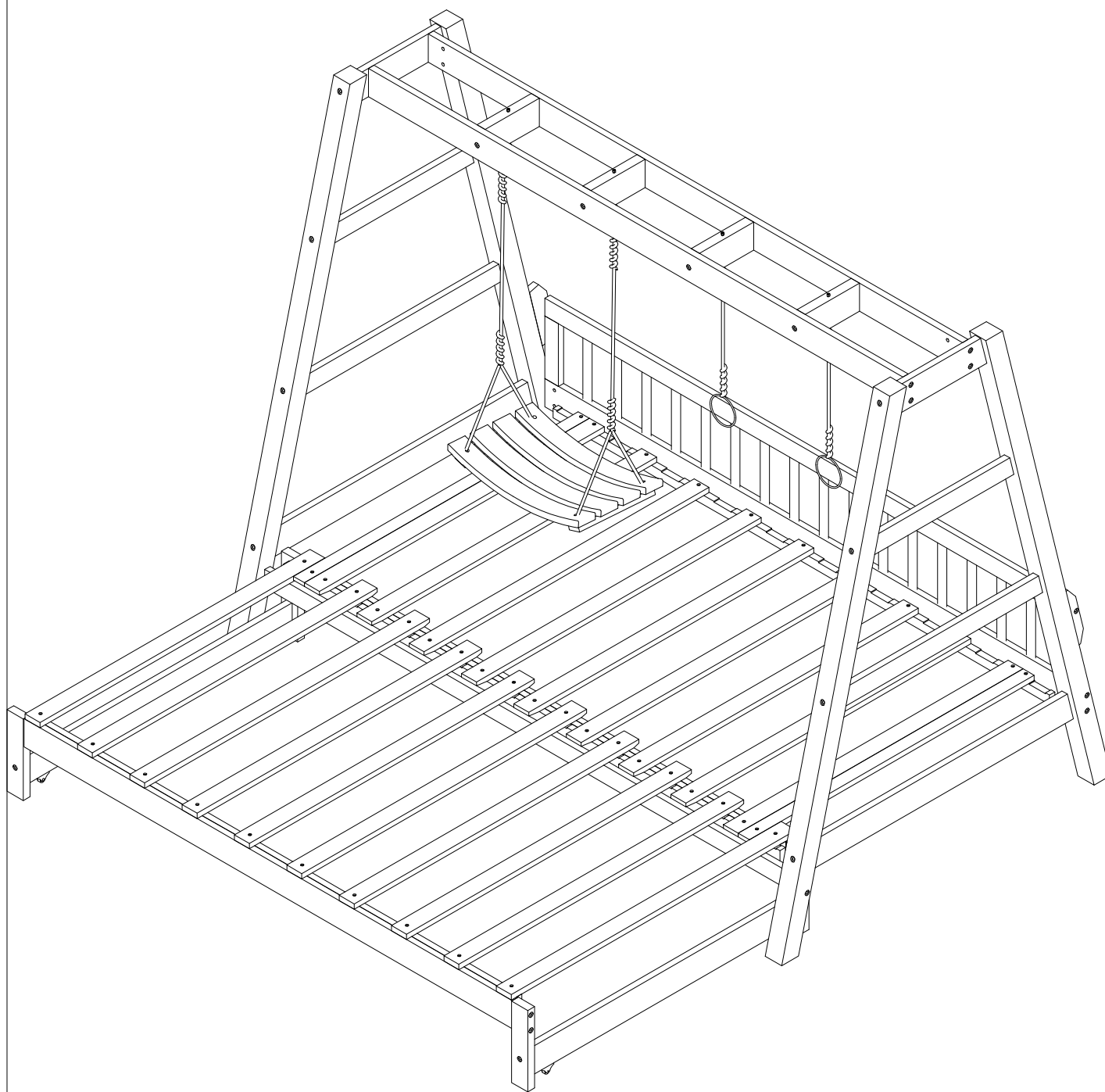


# ASSEMBLY INSTRUCTION

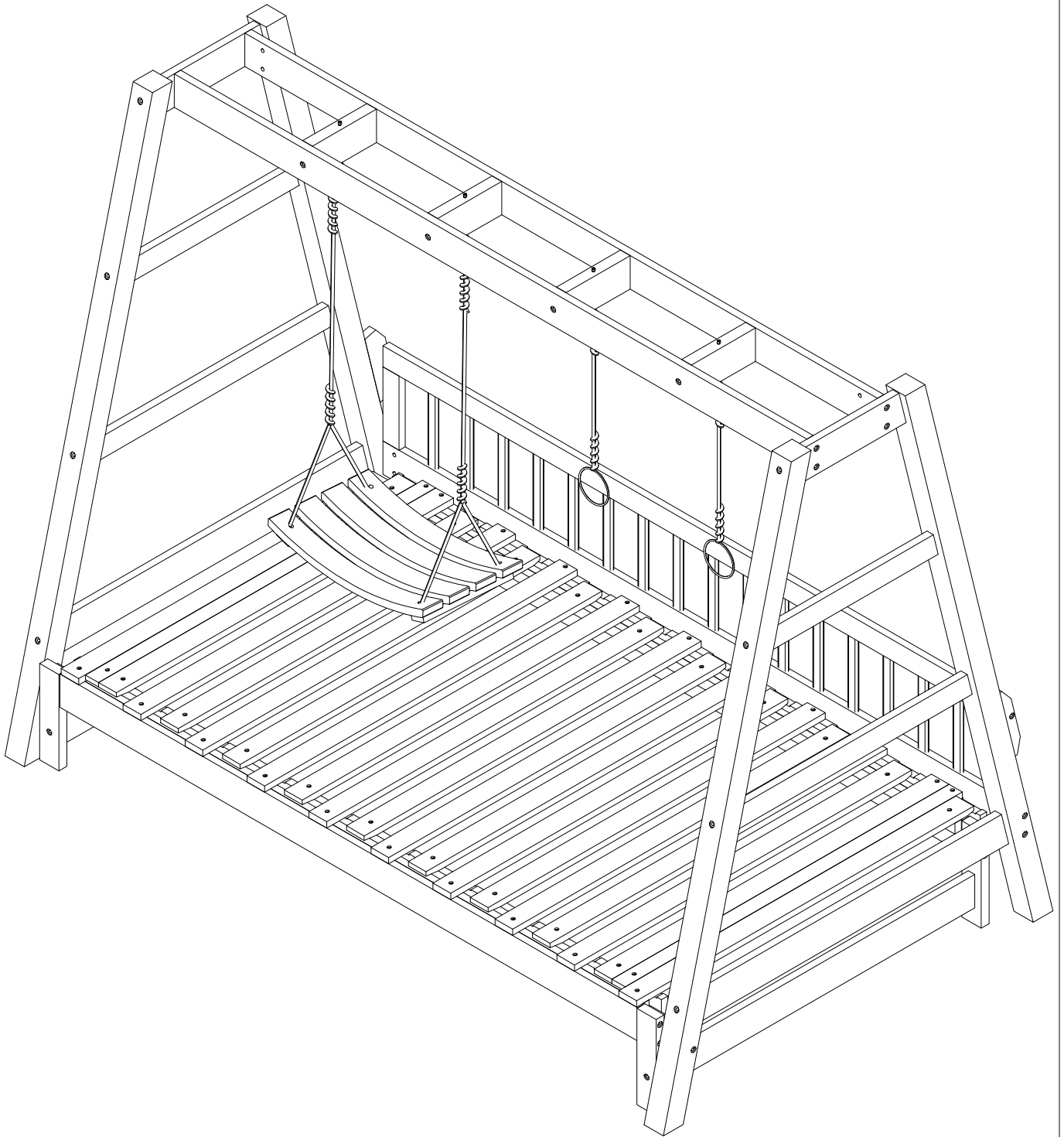
**This set is included 2 boxes if don't receive full 2 boxes please contact our customer service team**



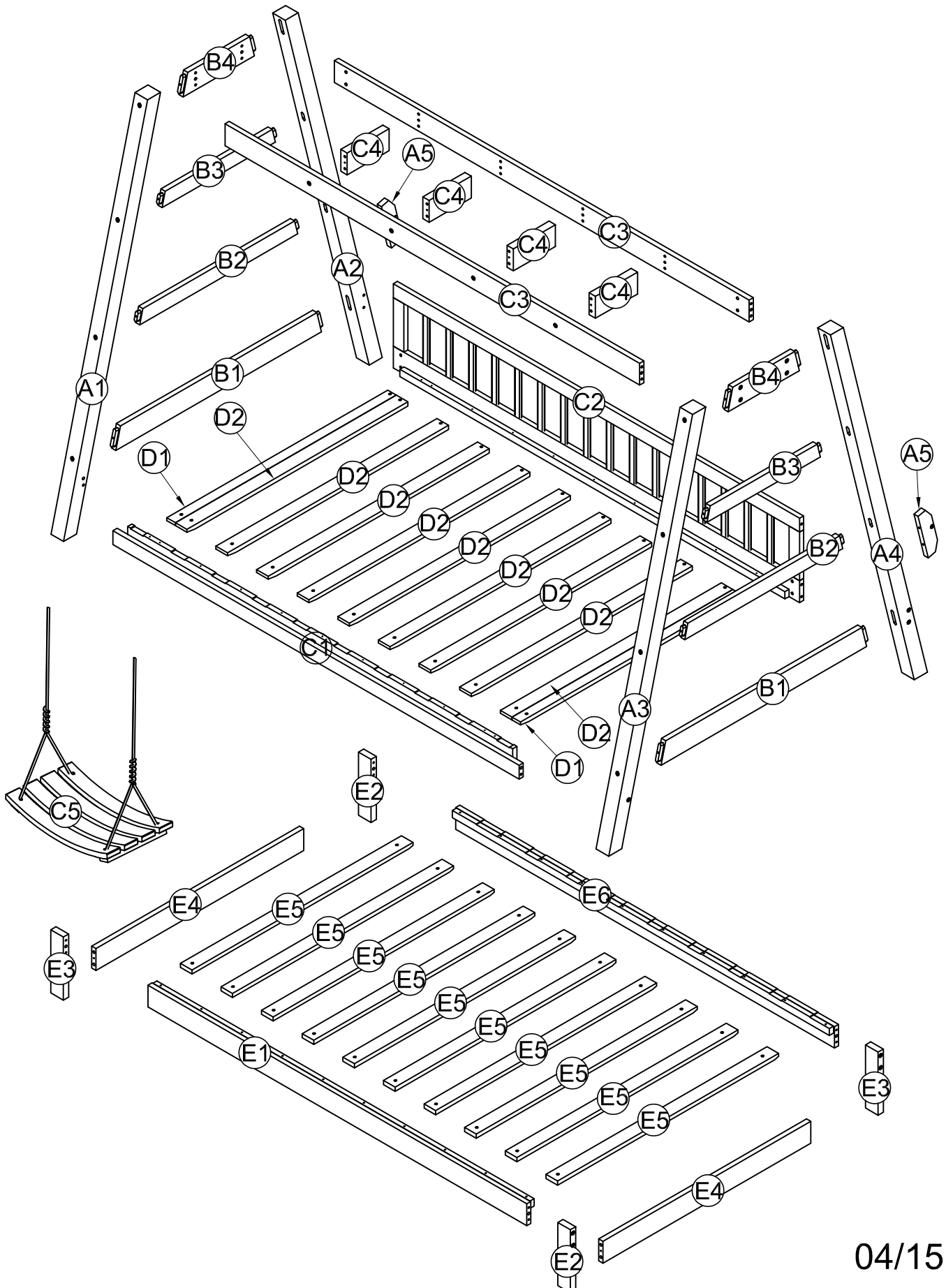
# OPTION 1



# OPTION 2

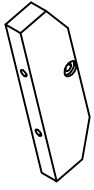


# ASSEMBLY INSTRUCTION



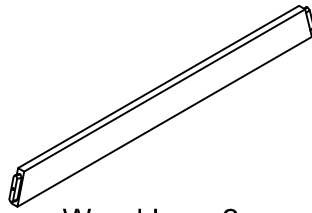
# Part List

A5



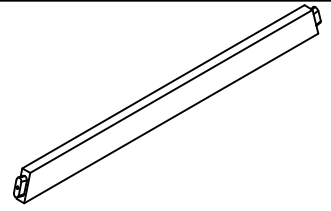
Wood bars-2pcs

B1



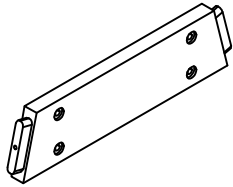
Wood bars-2pcs

B2



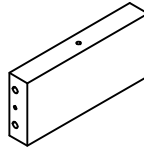
Wood bars-2pcs

B4



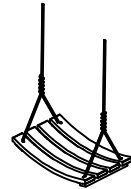
Wood bars-2pcs

C4



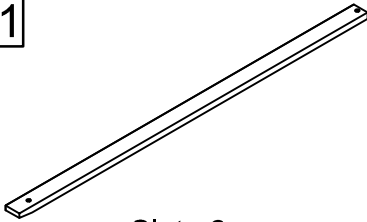
Wood bars-4pcs

C5



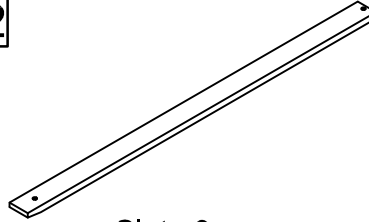
Swing Frame-1pc

D1



Slats-2pcs

D2



Slats-9pcs

E2



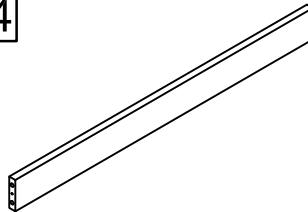
Legs-2pcs

E3



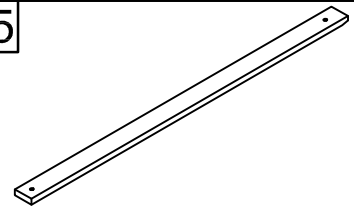
Legs-2pcs

E4



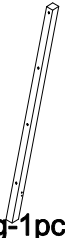
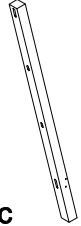
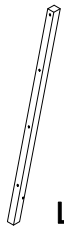
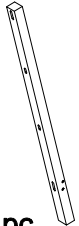
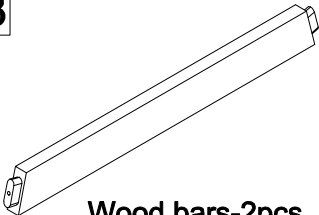
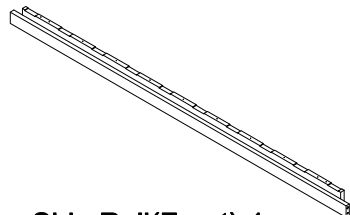
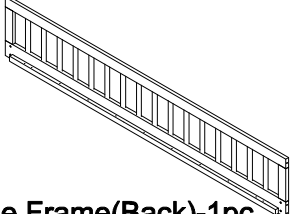
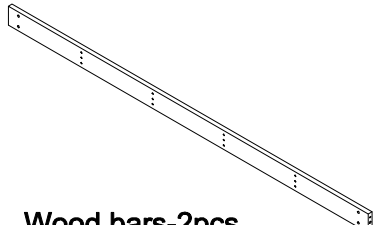
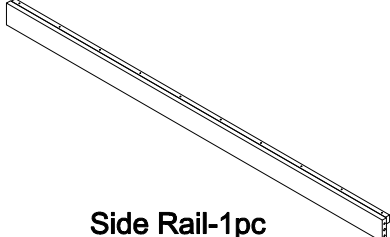
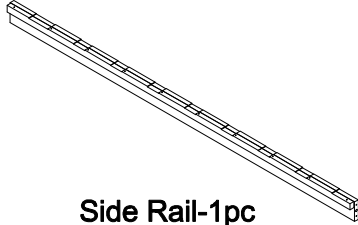
Wood bars-2pcs

E5

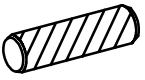


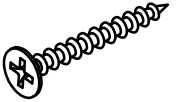
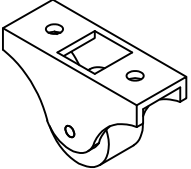

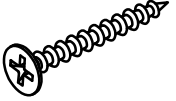





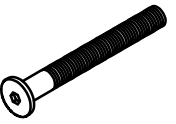
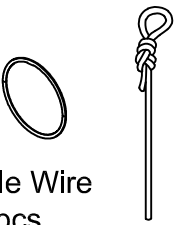





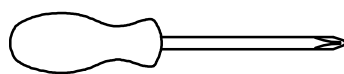
Slats-10pcs

# Part List & Hardware List

<b>A1</b>  Leg-1pc	<b>A2</b>  Leg-1pc	<b>A3</b>  Leg-1pc
<b>A4</b>  Leg-1pc	<b>B3</b>  Wood bars-2pcs	<b>C1</b>  Side Rail(Front)-1pc
<b>C2</b>  Side Frame(Back)-1pc	<b>C3</b>  Wood bars-2pcs	<b>E1</b>  Side Rail-1pc
<b>E6</b>  Side Rail-1pc		

# Hardware List

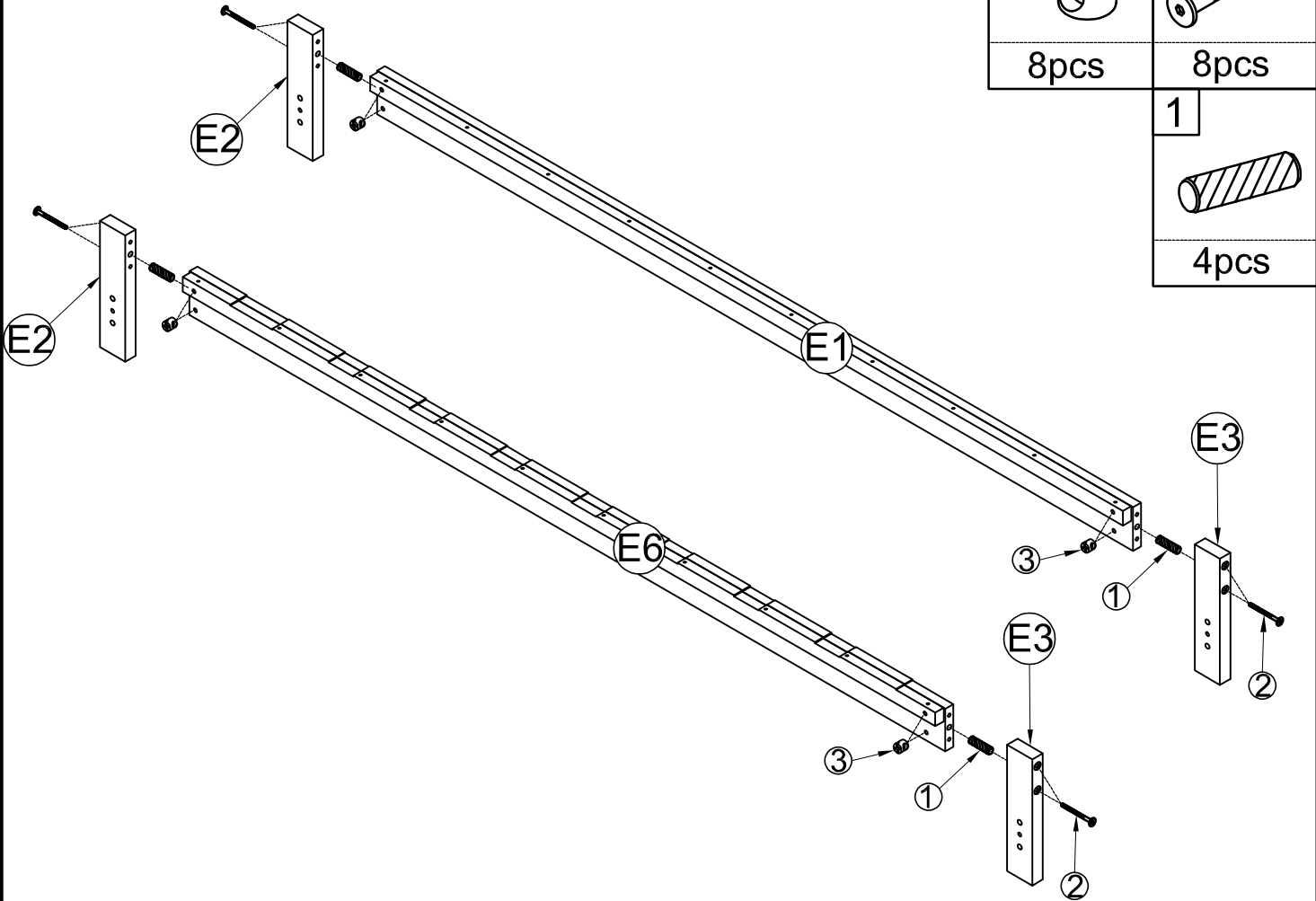
<p>1</p>  <p>Ø10 x 40 mm Wood dowel 38pcs</p>	<p>2</p>  <p>Ø1/4" x 100 mm Hex-Head bolts 14pcs</p>	<p>3</p>  <p>Ø1/4" x 13 mm Horizontal-Hole bolts 22pcs</p>
<p>4</p>  <p>M4 x 15 mm Wood Screws 8pcs</p>	<p>5</p>  <p>Wheels 4pcs</p>	<p>6</p>  <p>Screws 1/4" x60 12pcs</p>
<p>7</p>  <p>M4 x 30 mm Wood Screws 42pcs</p>	<p>8</p>  <p>Screws 1/4" x80 16pcs</p>	<p>9</p>  <p>Screws 1/4" x100 4pcs</p>
<p>10</p>  <p>Nut 4pcs</p>	<p>11</p>  <p>Cinch 4pcs</p>	<p>12</p>  <p>Screws 1/4" x50 2pcs</p>
<p>13</p>  <p>Ø1/4" x 60 mm Hex-Head bolts 8pcs</p>	<p>14</p>  <p>Handle Wire 2pcs</p>	<p>15</p>  <p>Allen Key 1pc</p>
<p>16</p>  <p>Ø16 / Ø6 x 2 mm Washer 8pcs</p>	<p>17</p>  <p>Circle 2pcs</p>	



Assembly Tools Required (Not Included)

# STEP 1: Following below illustration:

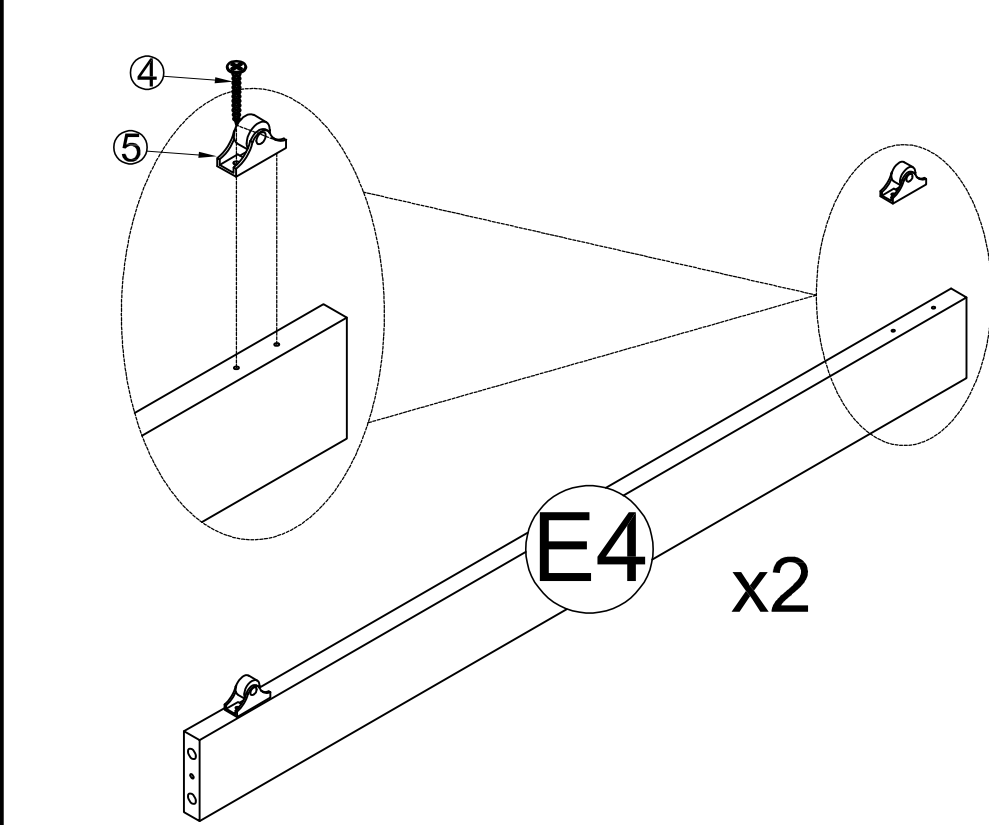
-Using hardward #2,#3 and dowel #1 to Assembly E1 Side Rail with Legs E1,E2  
 -Look at detail view for more detail



3		2	
	8pcs		8pcs
		1	
			4pcs

# STEP 2: Following below illustration:

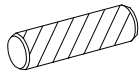

-Using hardward #4 to Assembly Wheels (#5) with E4 Wood bar  
 -Look at detail view for more detail

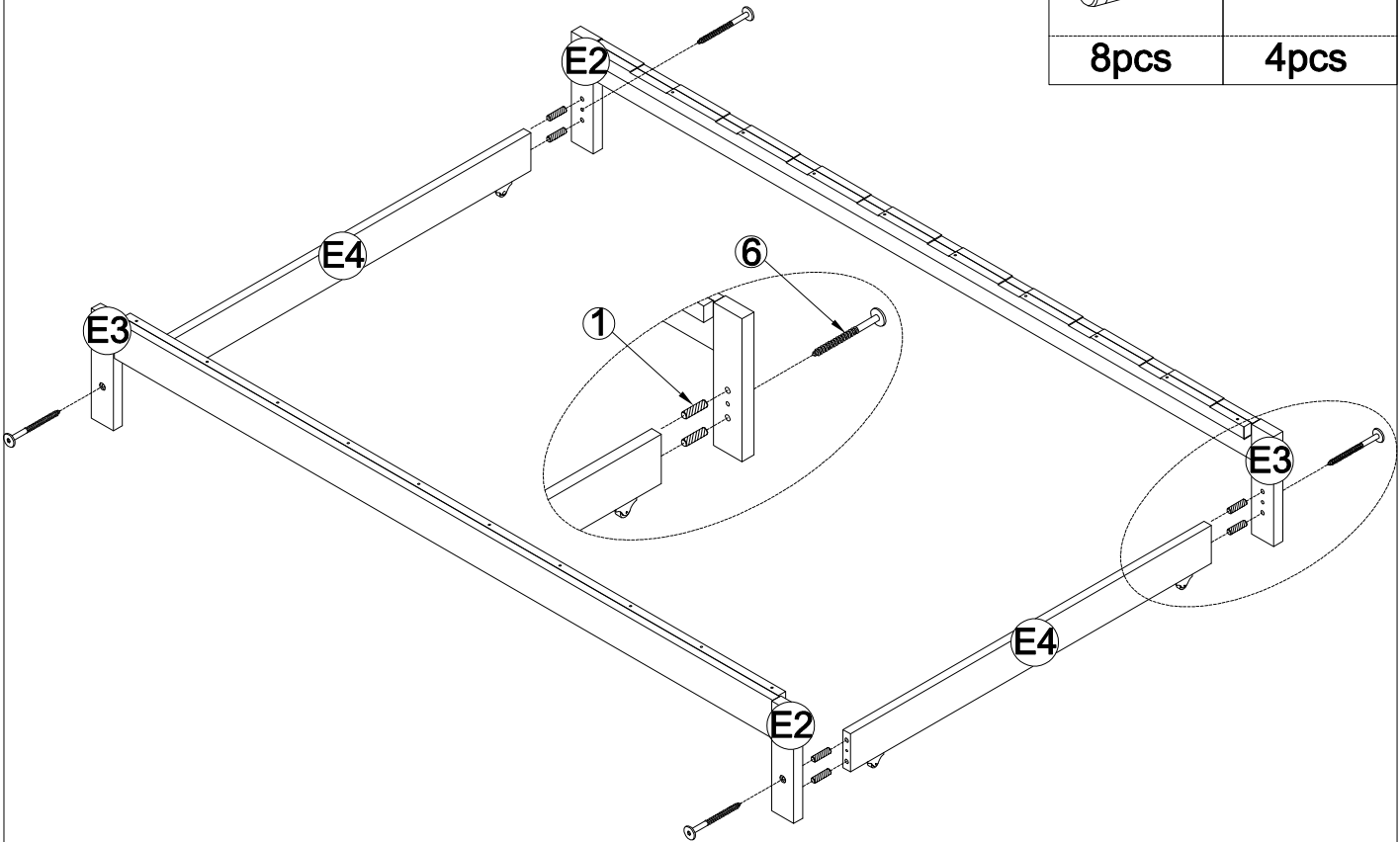


5		4	
	4pcs		8pcs

### STEP 3: Following below illustration:

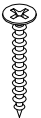
- Using hardward #6 and dowel #1 to Assembly Frame(completed on step 1) with Frame(completed on step 2)
- Look at detail view for more detail

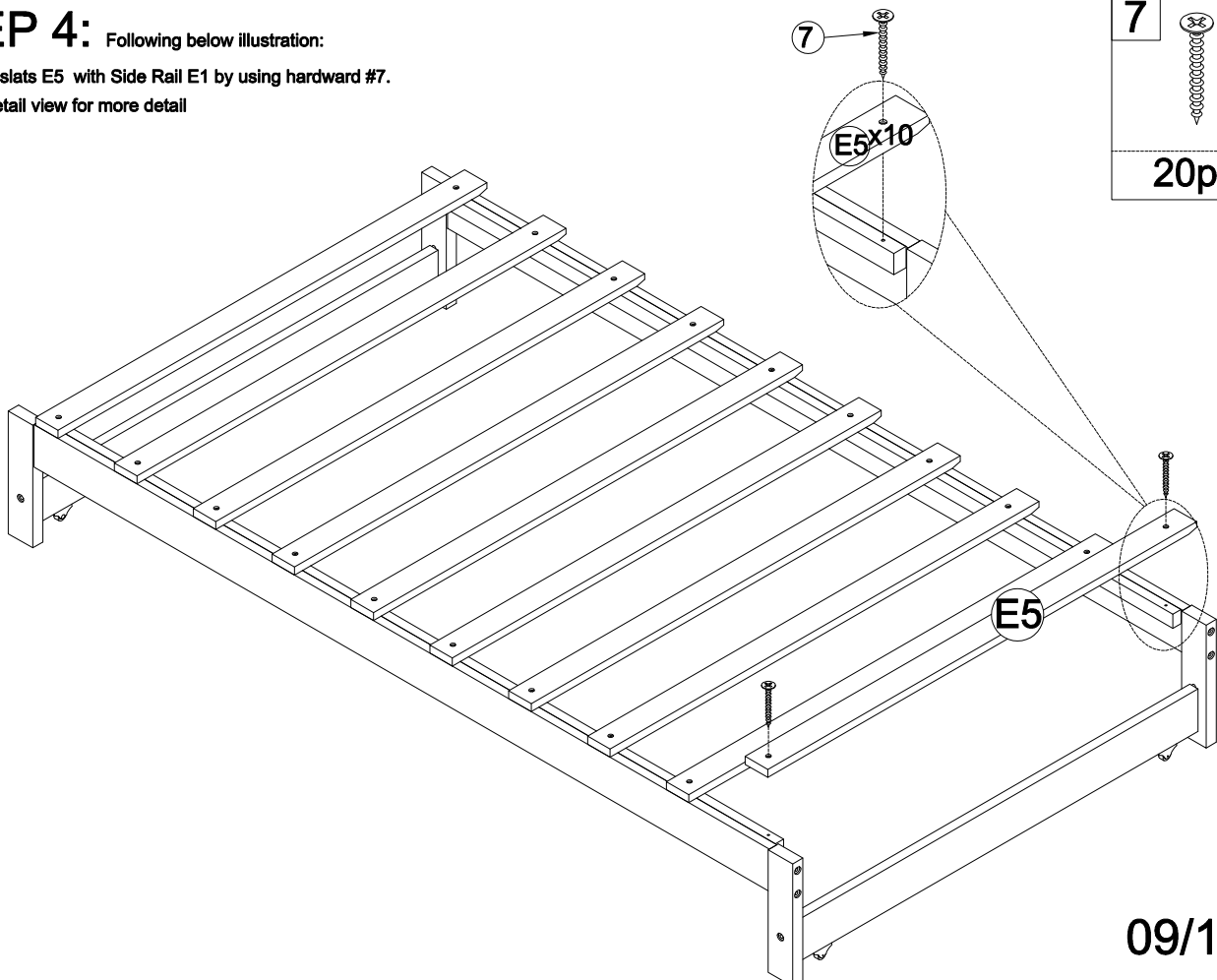
1	6
	
8pcs	4pcs




### STEP 4: Following below illustration:

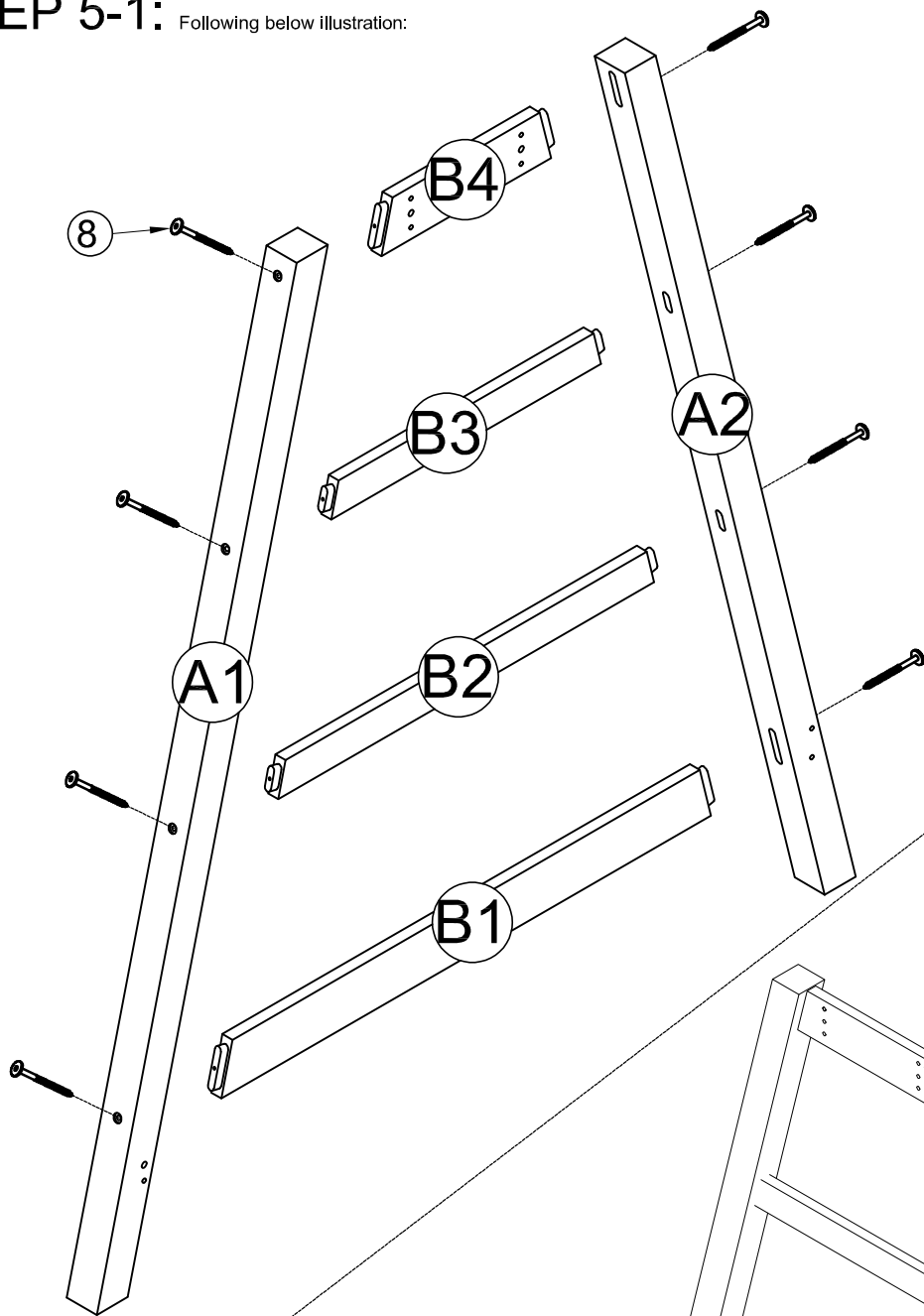
- Screw 10 slats E5 with Side Rail E1 by using hardward #7.
- Look at detail view for more detail


7	
20pcs	



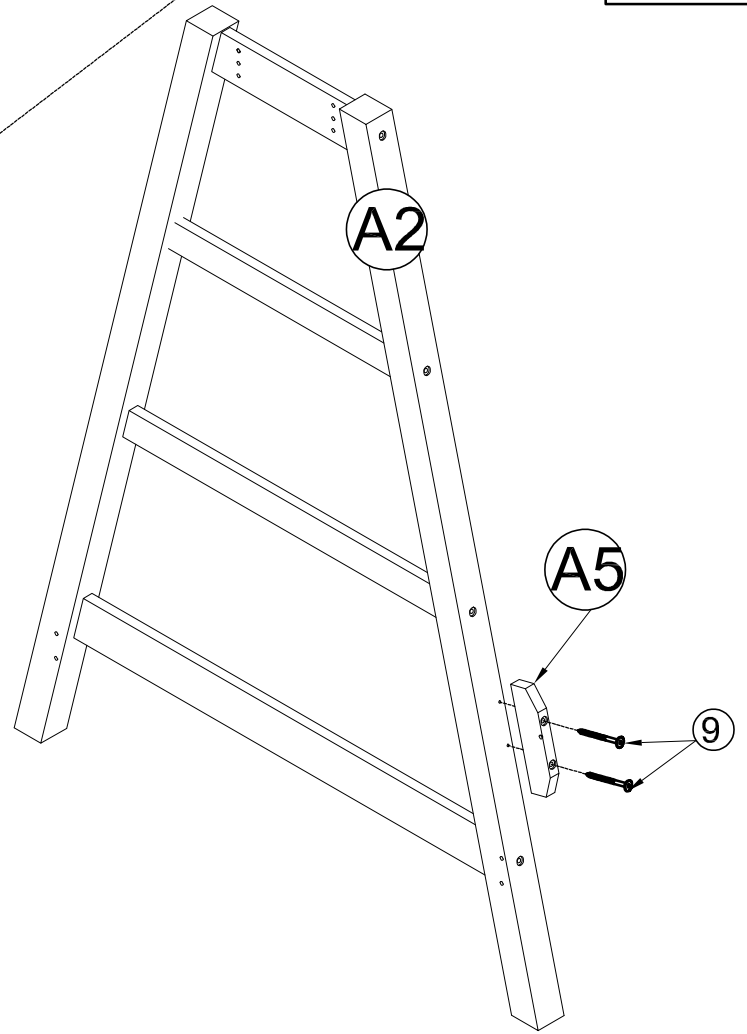
**STEP 5-1:** Following below illustration:

8

8pcs




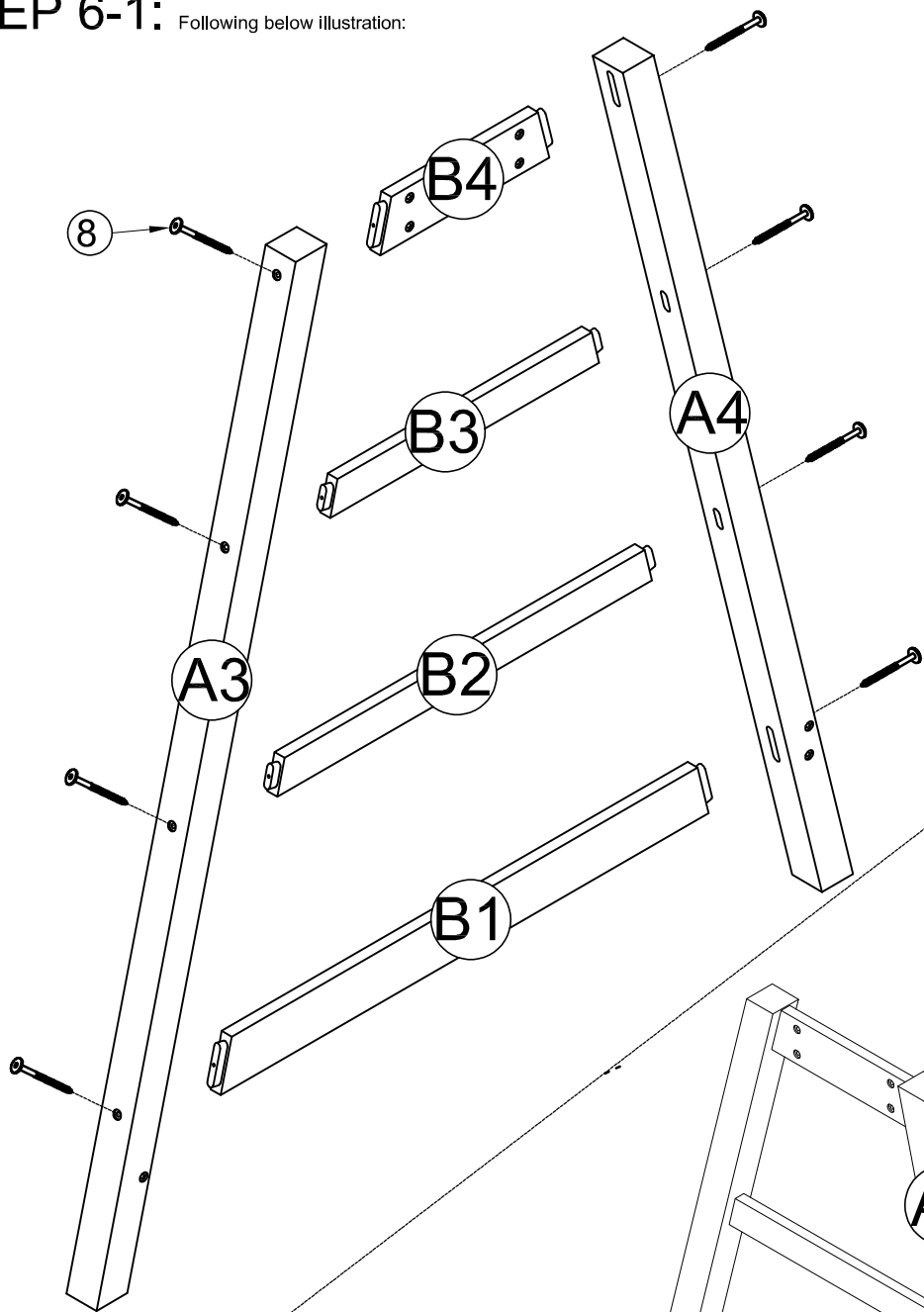
9

2pcs


**STEP 5-2:** Following below illustration:



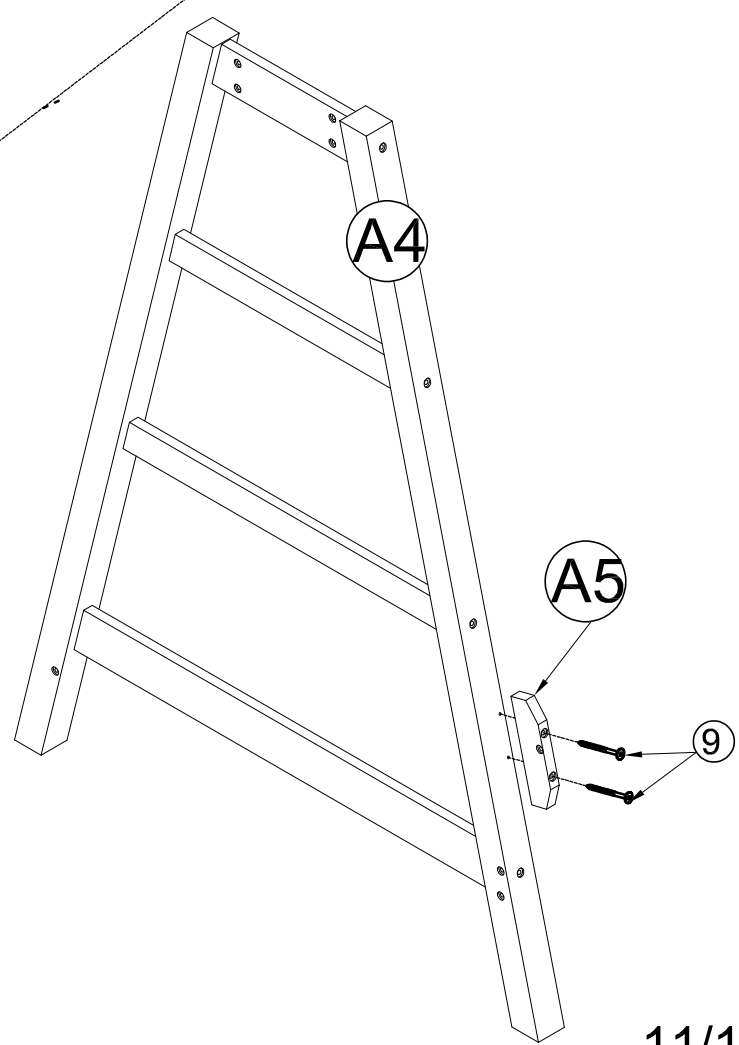
**STEP 6-1:** Following below illustration:

8

8pcs






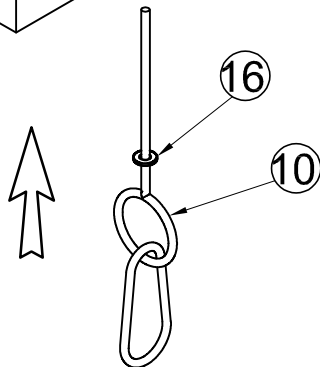
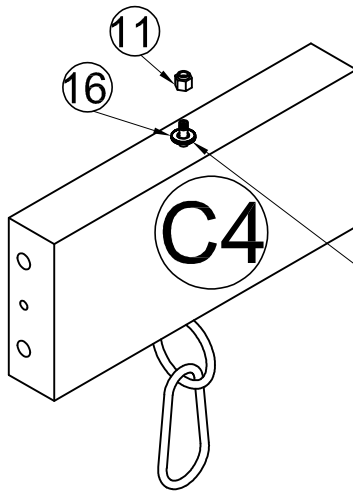
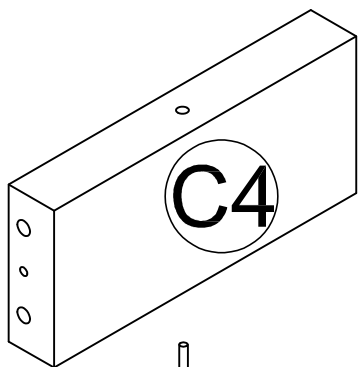
9

2pcs

**STEP 6-2:** Following below illustration:

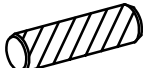



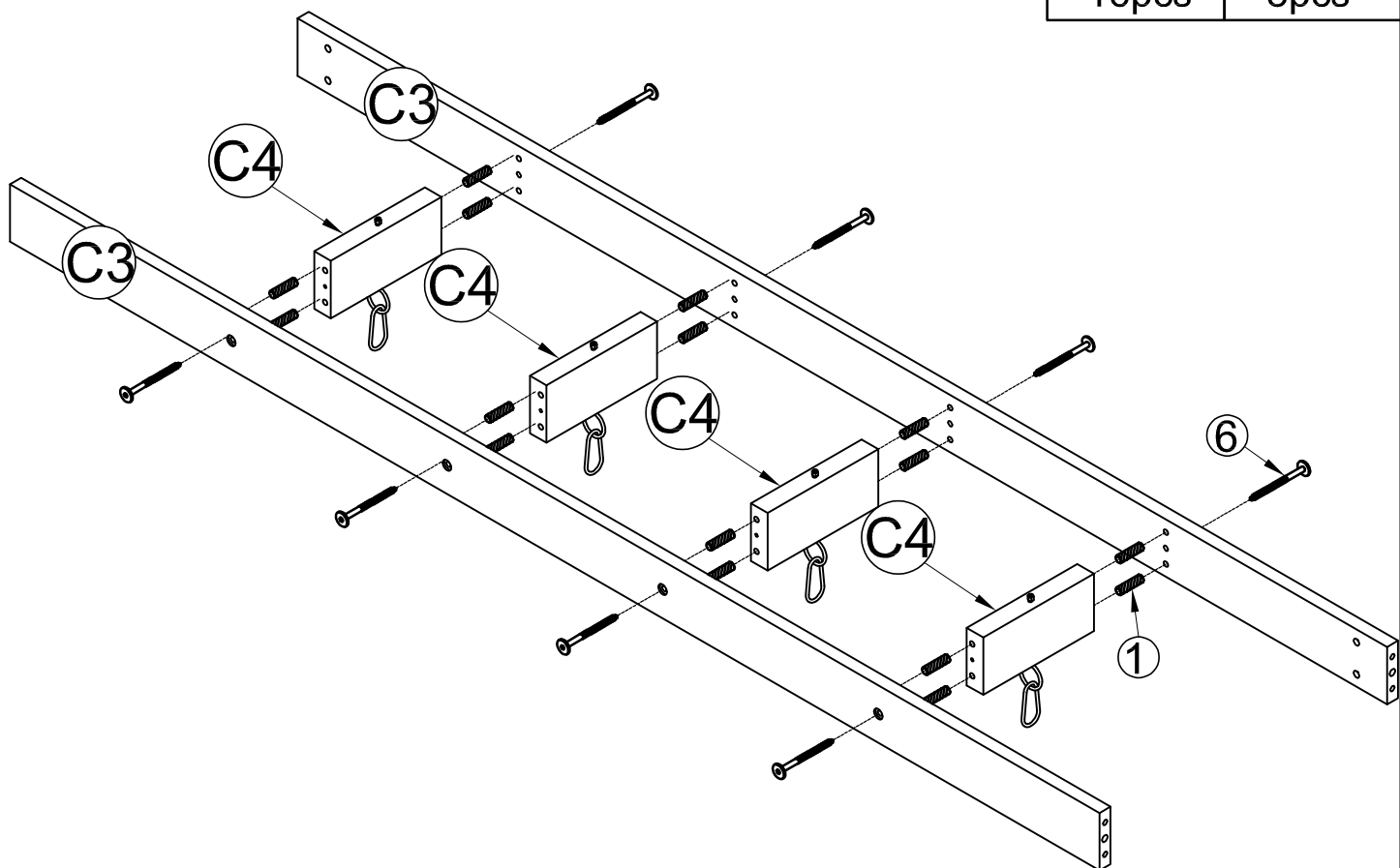
# STEP 7-1: Following below illustration:

16	11	10
		
8pcs	4pcs	4pcs



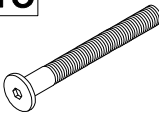

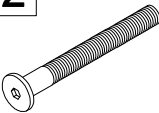
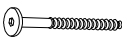
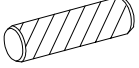
# STEP 7-2: Following below illustration:

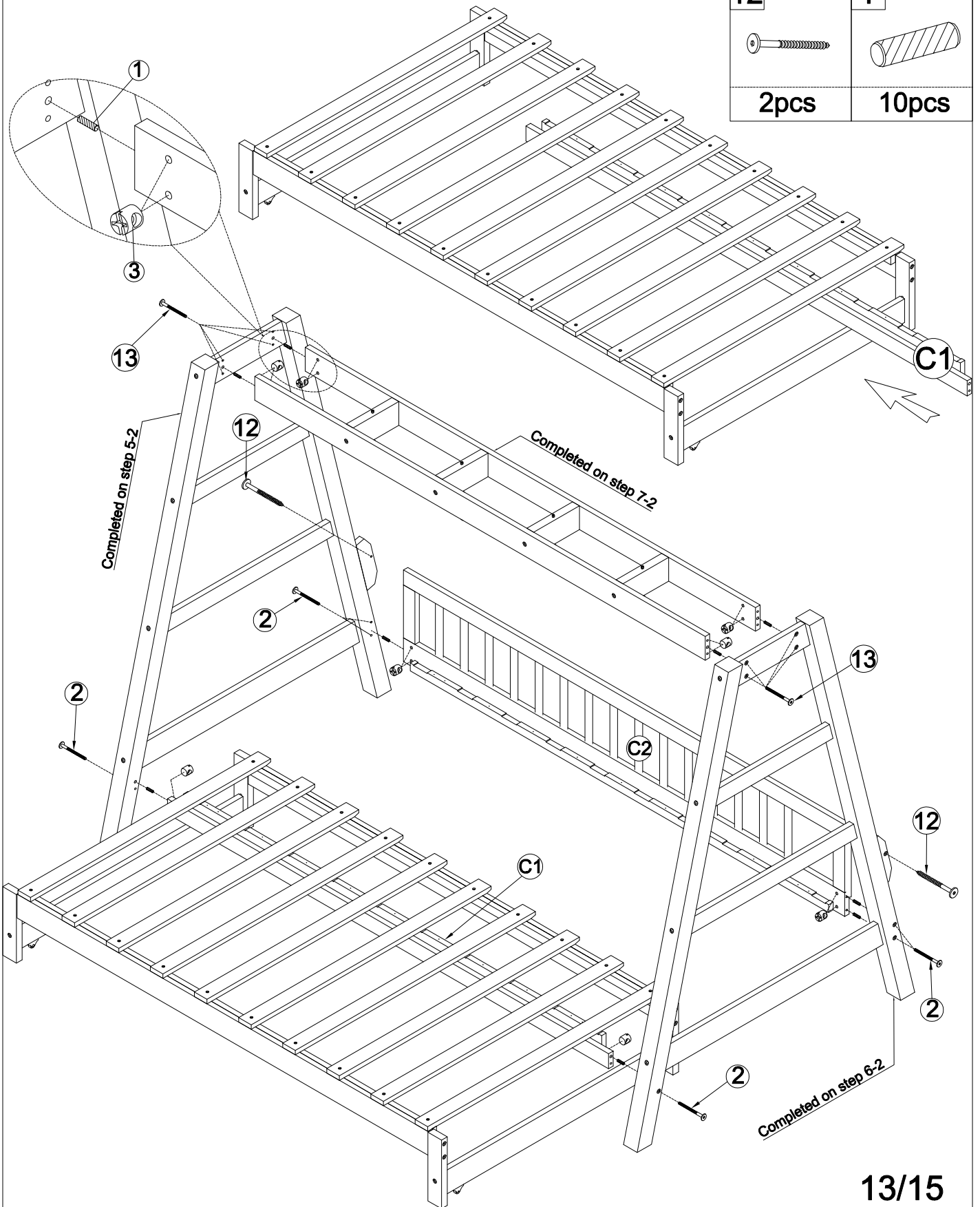
1	6
	
16pcs	8pcs



# STEP 8: Following below illustration:

- Insert side rail C1 into the Frame(completed on step 4)
- Using hardware #2,#3,#12,#13 and dowel #1 to Assembly Frame(Completed on step 5-2,Step 6-2) With C1,C2 Frame and Frame(Completed on step 7-2)

<b>13</b>  <b>8pcs</b>	<b>3</b>  <b>14pcs</b>	<b>2</b>  <b>6pcs</b>
<b>12</b>  <b>2pcs</b>		<b>1</b>  <b>10pcs</b>



# STEP 9: Following below illustration:

- Screw 2 slats D1 and 9 saist D2 with Side Rails C1,C2 by using hardward #7.
- Look at detail view for more detail

7



22pcs

