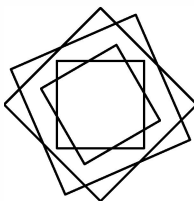
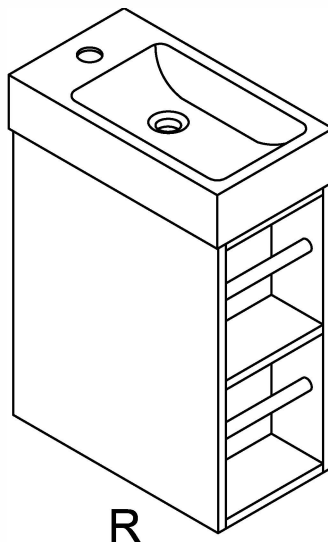
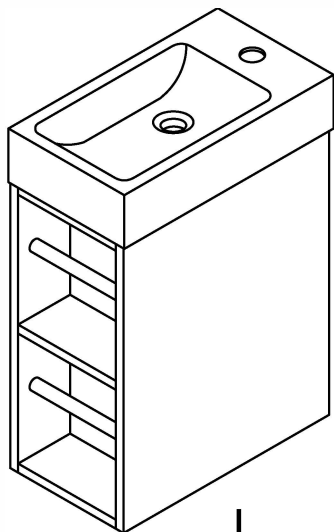




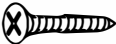

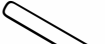

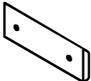

Installation Manual



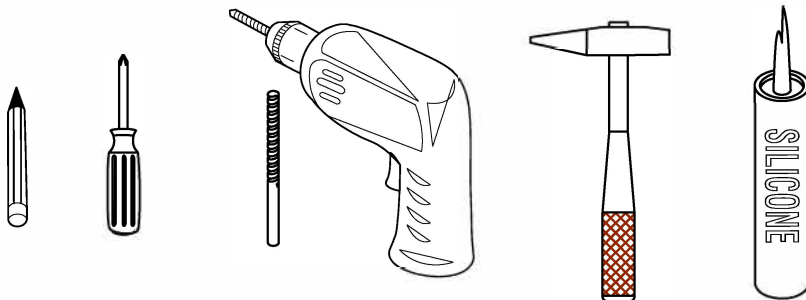
Thank you for shopping with us!

We encourage you to take a few minutes to go through this booklet. It contains important information on installation and care tips to keep your furniture looking as good as new.

Hardware

NO.	Draw	QTY	NO.	Draw	QTY
A	 Screws Ø4x14mm	12	E	 Hinges	2
B	 Screws Ø4x25mm	4	F	 Plastic anchor(Ø6mm)	2
C	 Paper towel holder	2	G	 (Ø4 x 45mm) Screws for fix on the wall	2
D	 Wall hanging	1	H	 Anti-collision gasket	2

Recommended tools



Step 1

The side shelf can be installed on the left or right side according to individual needs.

($\varnothing 4 \times 25\text{mm}$)

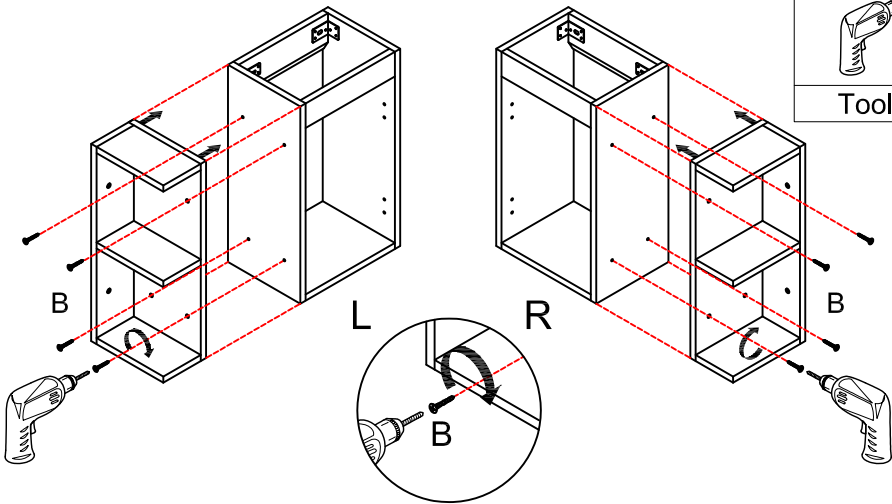


x4

B



Tool

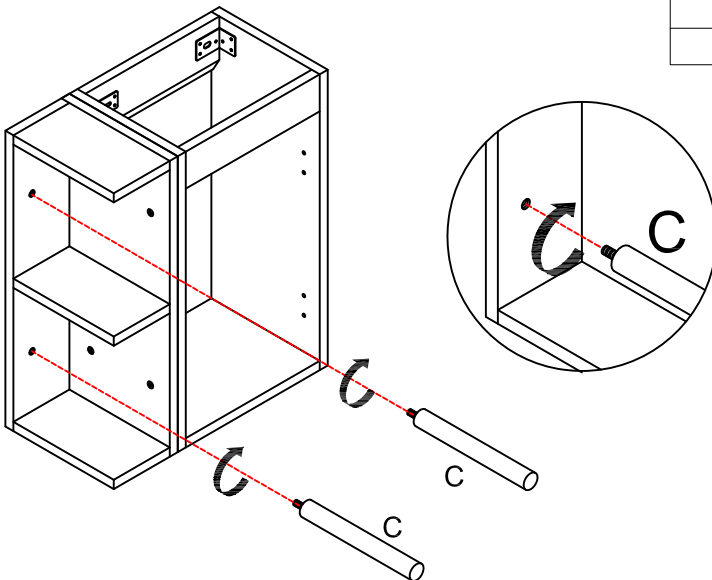


Step 2

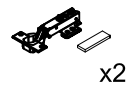
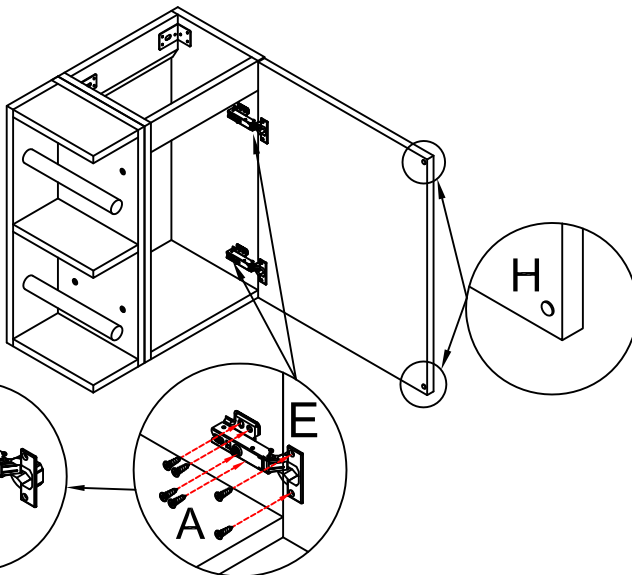


x2

C



Step 3

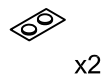


E

($\varnothing 4 \times 14\text{mm}$)



A

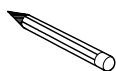


H

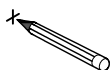


Tool

Step 4

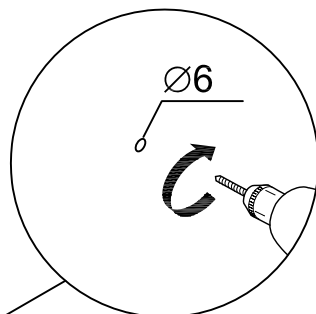
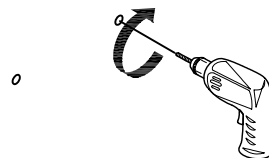


Tool







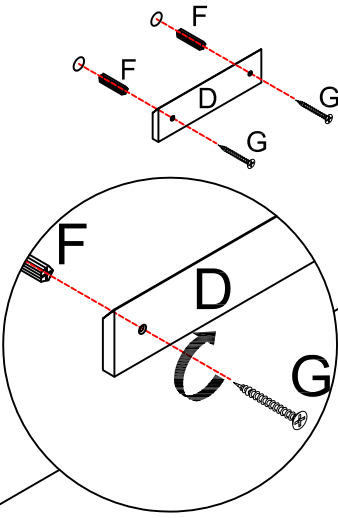
+

Step 5

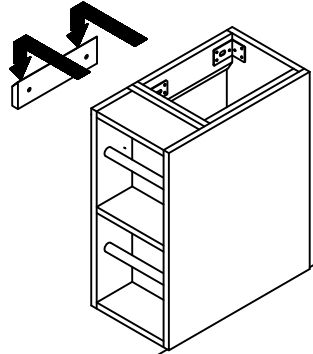


Step 6

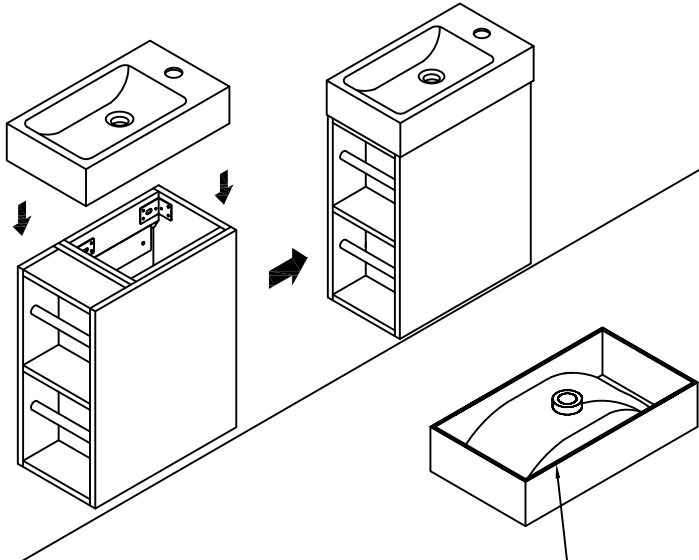
			
Tool	G x2	F x2	D x1



Step 7



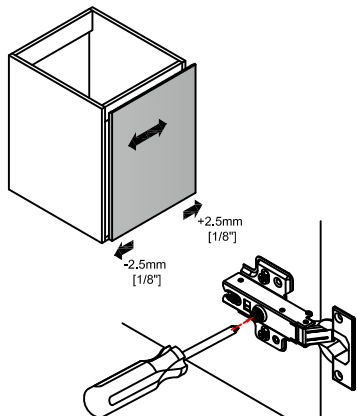
Finished



Remove the protective surface of 3M tape from the basin bottom and attach to the cabinet.

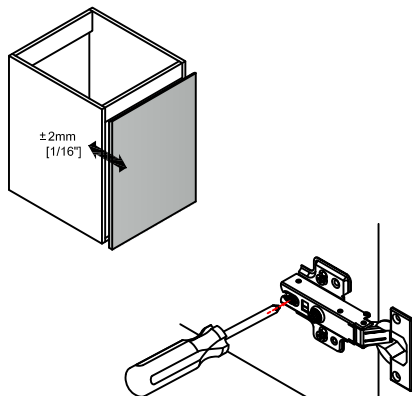
Coverage Distance

Rotate screw to the right: Coverage distance decrease (-)
Rotate screw to the left: Coverage distance increase (+)



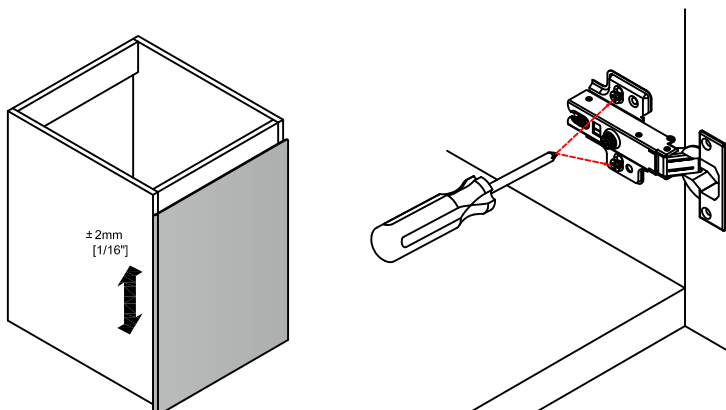
Depth Distance

Release the screw, adjust the distance between the door & vanity and tighten the fastening screw.

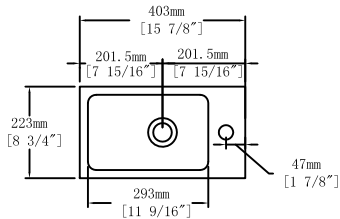


Height Distance

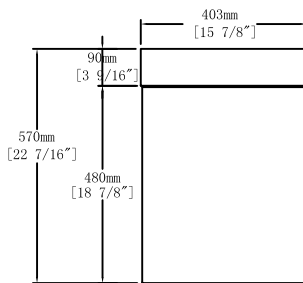
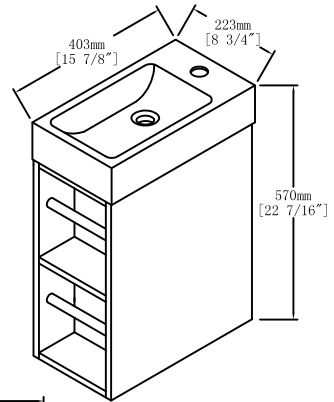
Release the base screw, adjust the height of the door, and then tighten the screw.



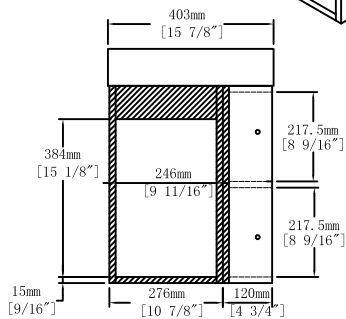
Dimensions



Top View



Front View



Back View

CARE CLEANING AND MAINTENANCE

1. Dust regularly with a soft , dry cloth.
2. Avoid the use of all chemicals household cleaners, abrasives, or cleaners that contain lemon, vinegar, or other acids that may damage the finish.
3. Excessive exposure to sunlight and extreme changes in temperature and moisture can damage wood furniture.
4. The sink top is resilient, but care needs to be taken to preserve its appearance.
5. Do not place hot appliances, such as curling irons and hot hair dryers directly on the countertop. Wipe spills immediately.