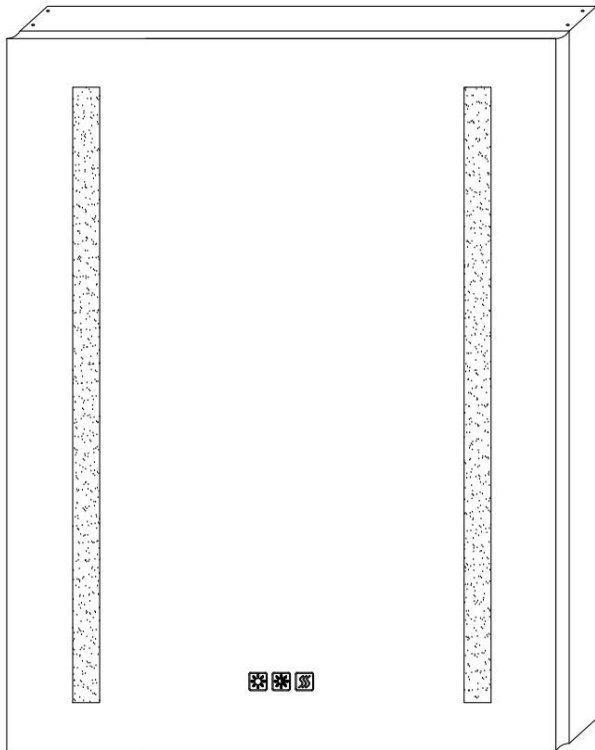
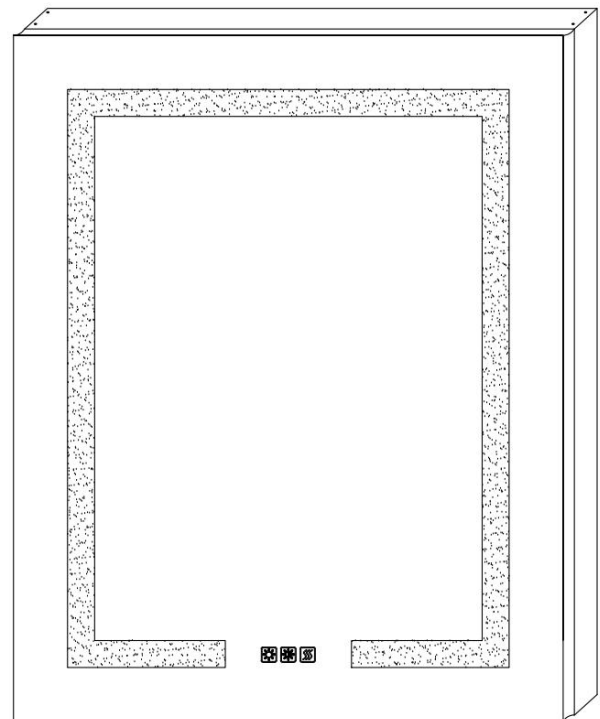


Installation and Operating Manual

Size: W20"xH26"



Size: W24"xH30"



For easy and safe installation, please refer to the following:

Read all instructions thoroughly before installing the enclosed product.

Read and take note of all safety, care and maintenance information.

PLEASE KEEP THIS INSTRUCTION MANUAL FOR FUTURE REFERENCE DURING PRODUCT OPERATION AND MAINTENANCE.



WARNING AND SAFETY INSTRUCTIONS

Before installing your LED Medicine Cabinet fixture, please make sure that you carefully read through this instruction sheet, refer back to them during installation to ensure your product is fitted safely and correctly. Keep these instructions for future use.

WARNING Risk of Fire and Electric Shock

- All fittings must be installed in accordance with current IEE wiring regulations. If in doubt, consult a qualified electrician.
- Switch off the electrical supply at the main circuit board BEFORE installation and maintenance.
- Suitable for indoor use only. This product should be positioned well away from curtains and fabrics. Never cover the mirror.
- Regularly check the cord, the transformer and all other parts for damage, if any part is damaged the product should not be used.

INSTALLATION SAFETY

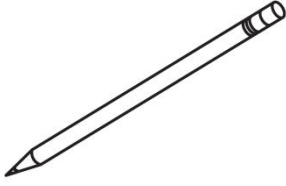
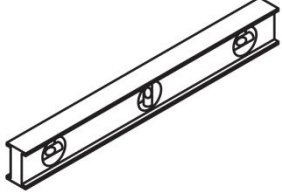
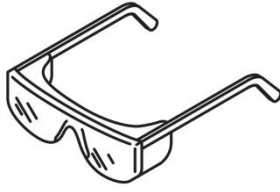
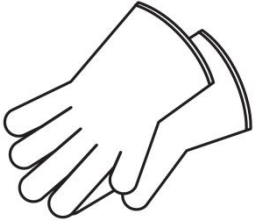

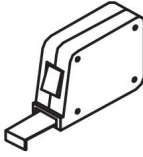

- Inspect the product immediately upon receipt for any possible damage during transportation or missing parts. Handle the product with care and protect against knocks to all sides and edges of the glass.
- Ensure there are no hidden pipes or cables in the wall before drilling.
- Wear suitable eye protection when drilling. Take care if drilling on tiled surfaces in case the drill slips.

CAUTION

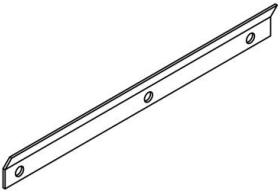
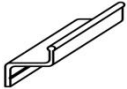



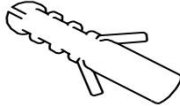
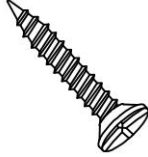
The light source of this product is non-changeable light diodes (LED). Do not disassemble the product, as the light diodes can cause damage to the eyes.

NOTE: The important safeguards and instructions that appear in this manual are not meant to cover all possible conditions and situations that may occur. It must be understood that common sense, caution and care are factors that can't be built into any product. These factors must be supplied by the person(s) caring for and operating the fixture. Do not install this fixture in hazardous locations.

TOOLS REQUIRED

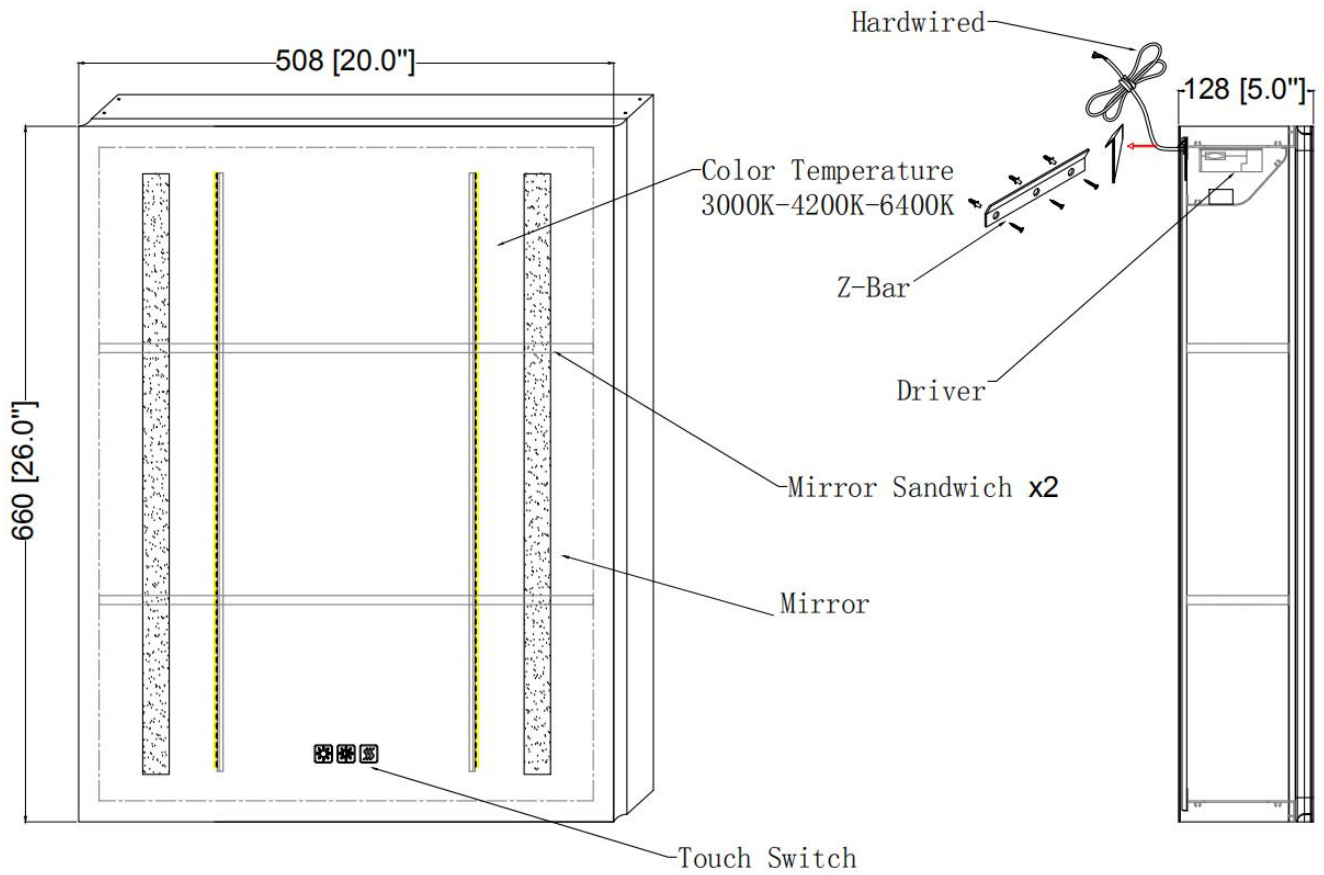
			
			

PARTS SUPPLIED

 Z-Bar x1	 Z-Hook x1	 Layer board supporting X3	 20"x26": Glass panel x2 24"x30": Glass panel x3
 Wire caps x3	 Anchor x5	 Screw x5	

Size:

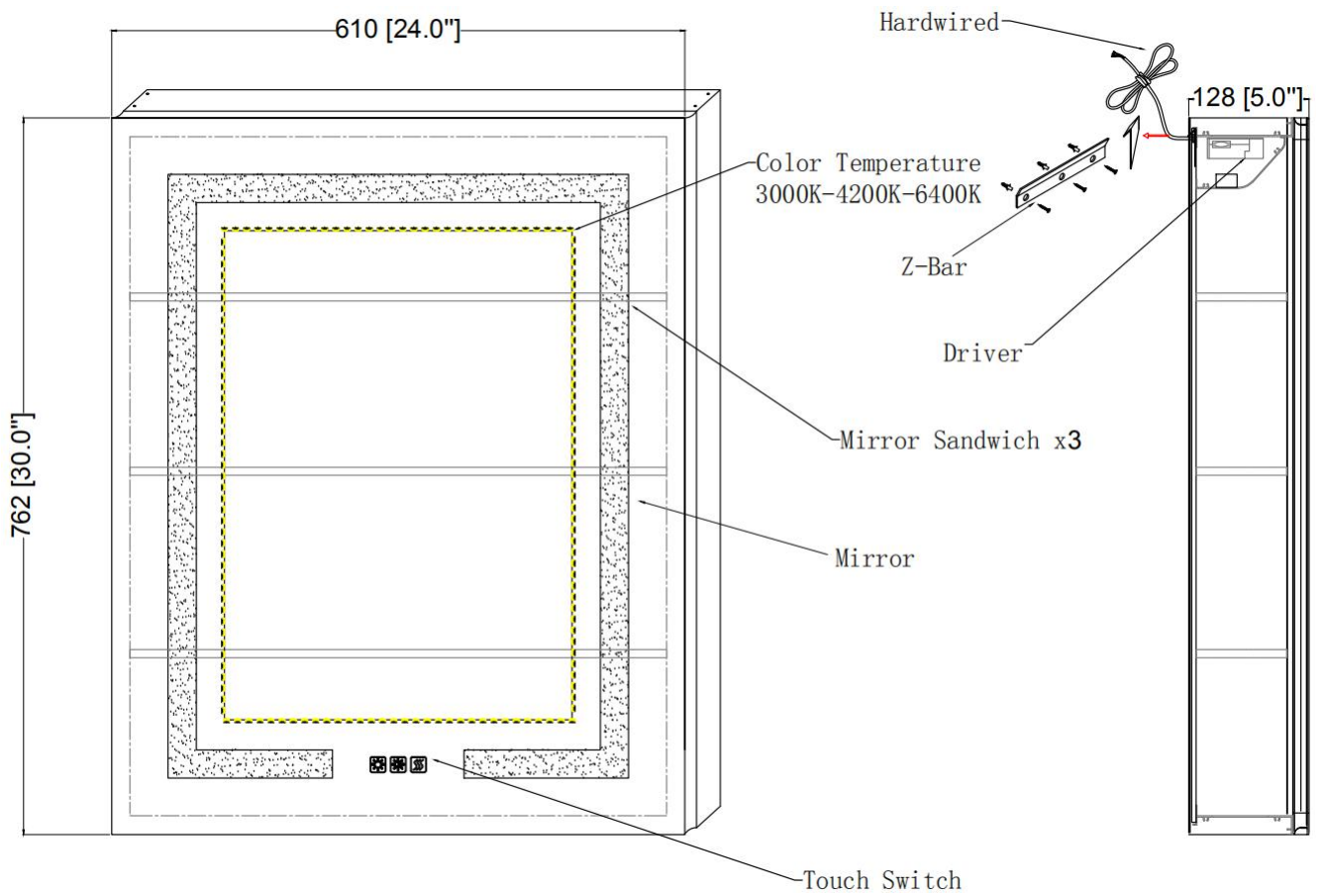
W20"xH26"



* All diagrams are for reference only. All model dimensions and proportions position will vary.

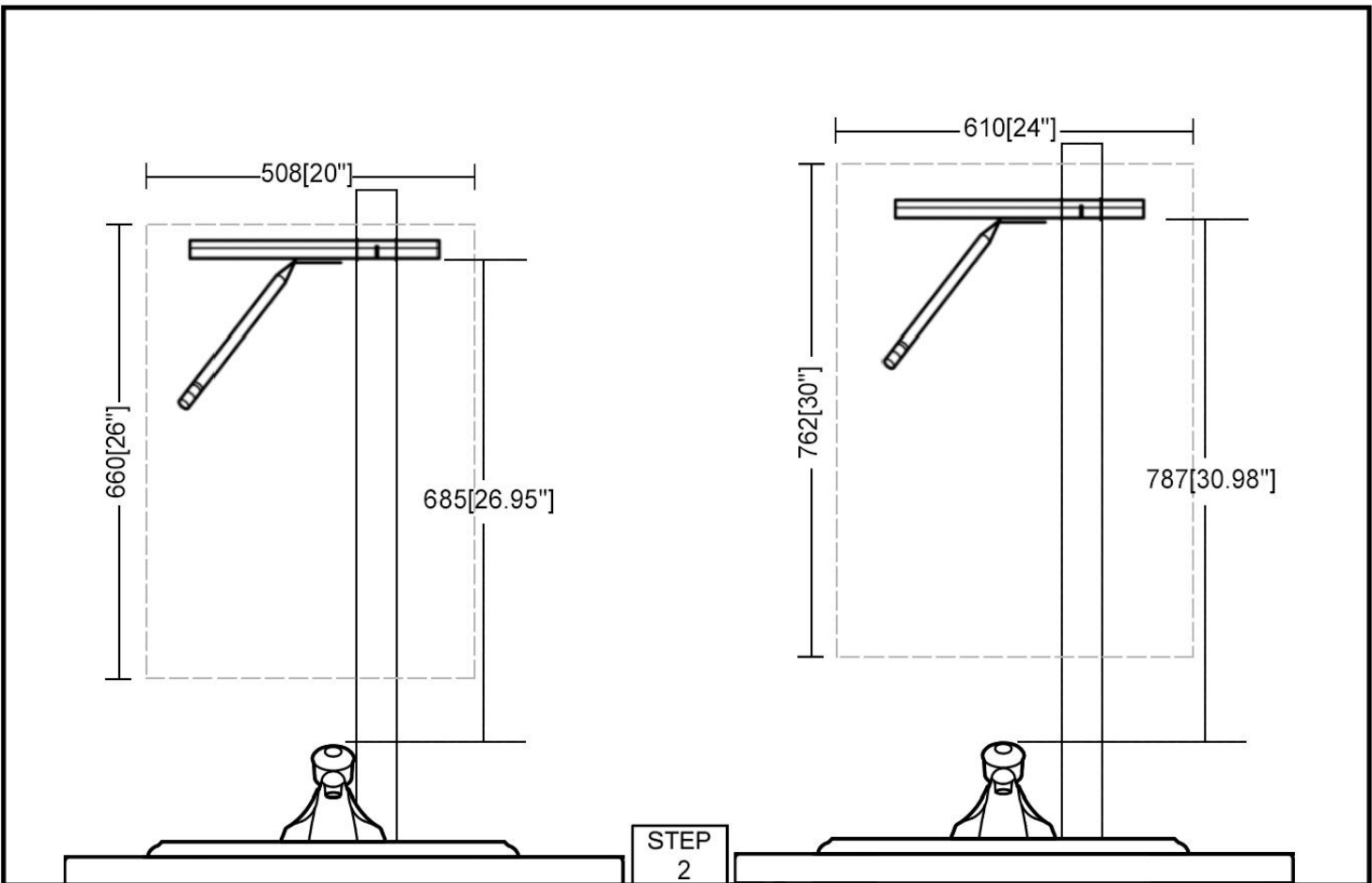
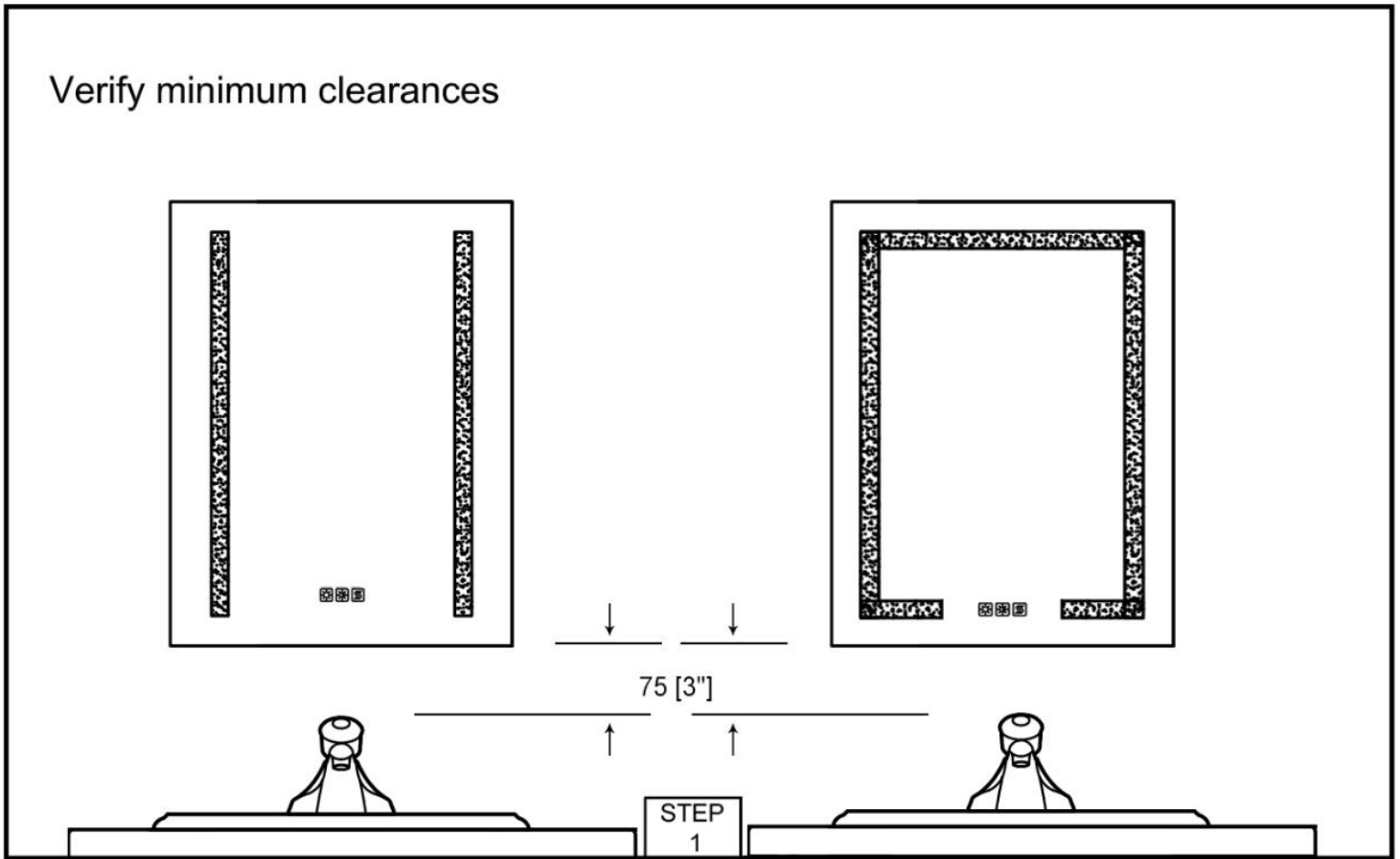
Size:

W24"xH30"

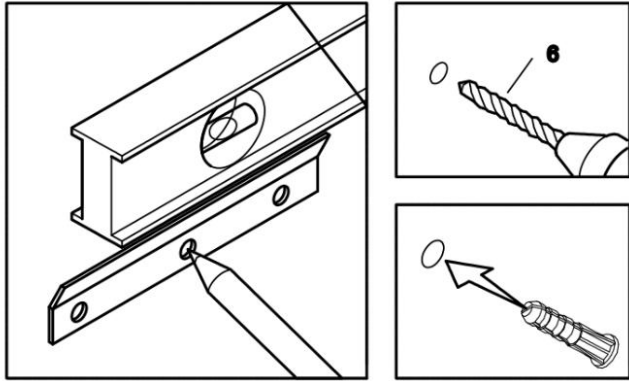


* All diagrams are for reference only. All model dimensions and proportions position will vary.

Verify minimum clearances

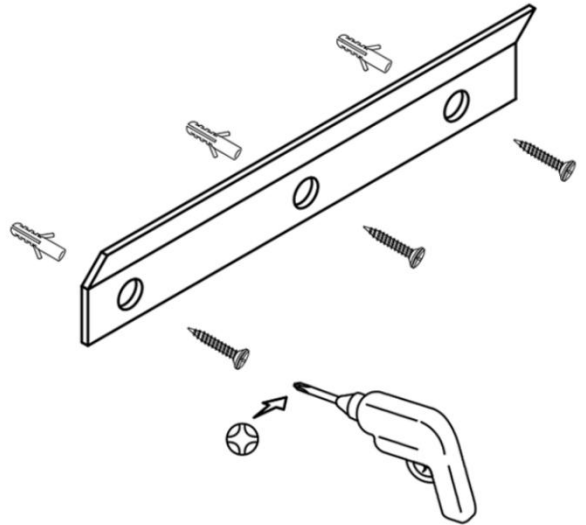


Mark hole locations on the wall. Drill holes Insert anchors where needed

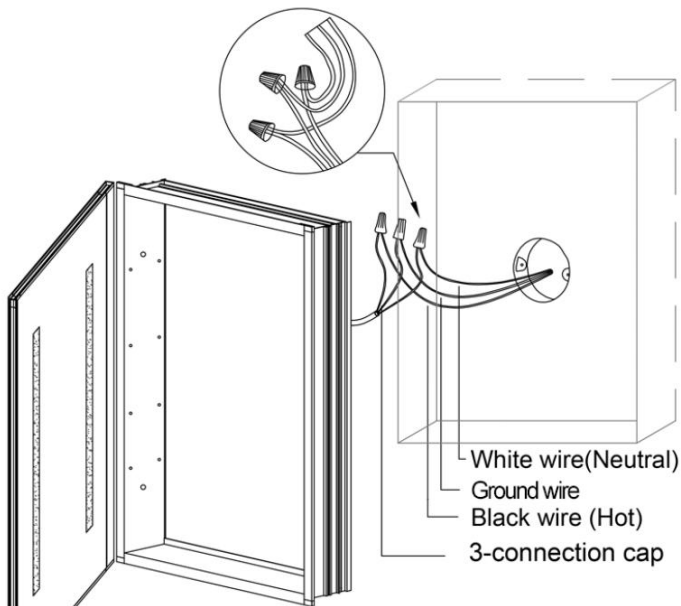


STEP
3

Secure the bar with round-head screws

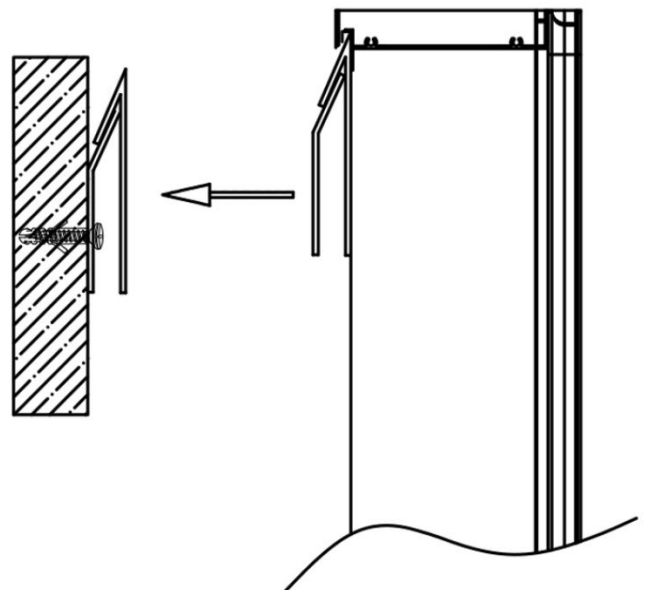


STEP
4

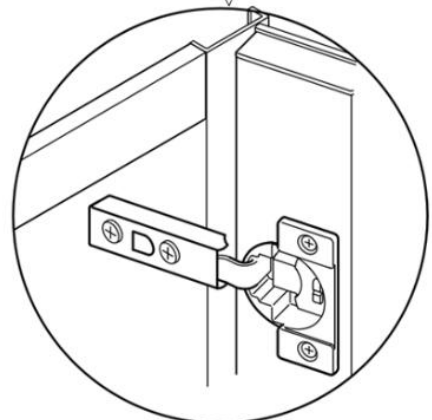
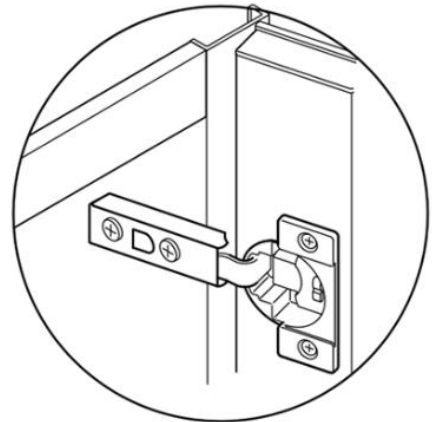
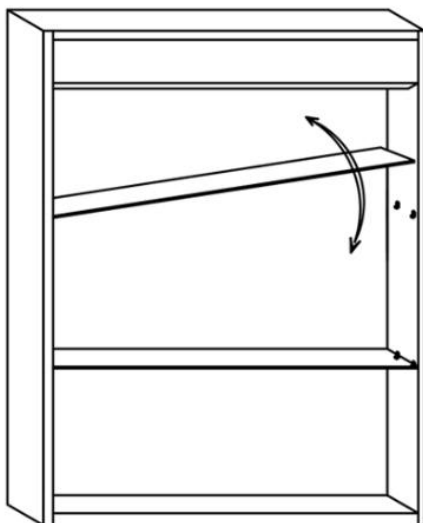
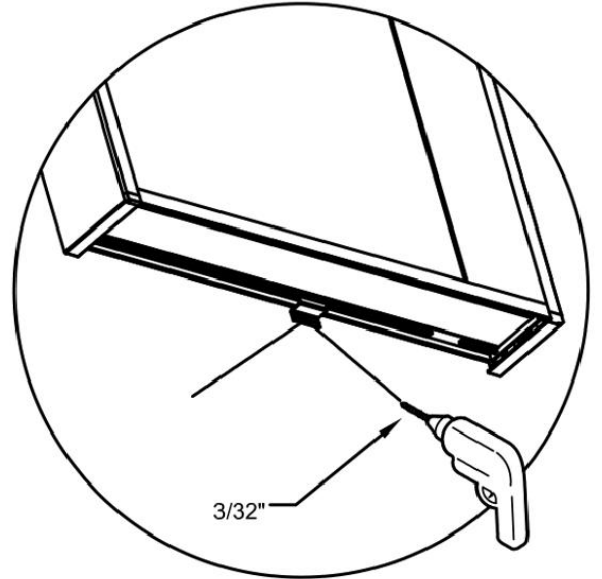
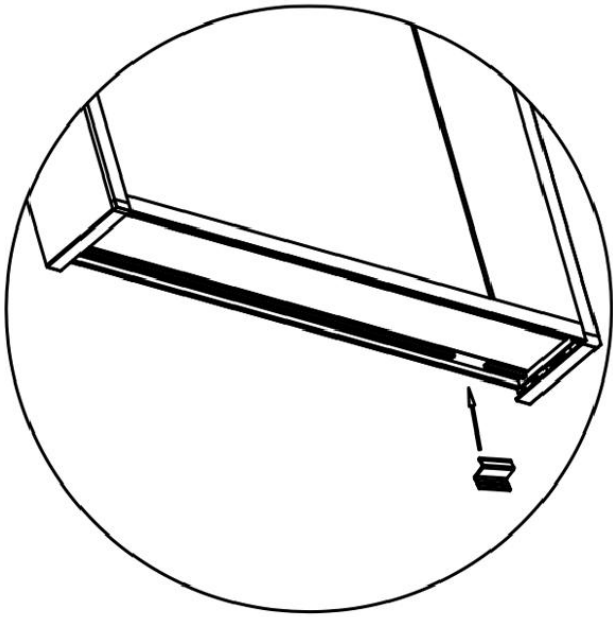


STEP
5

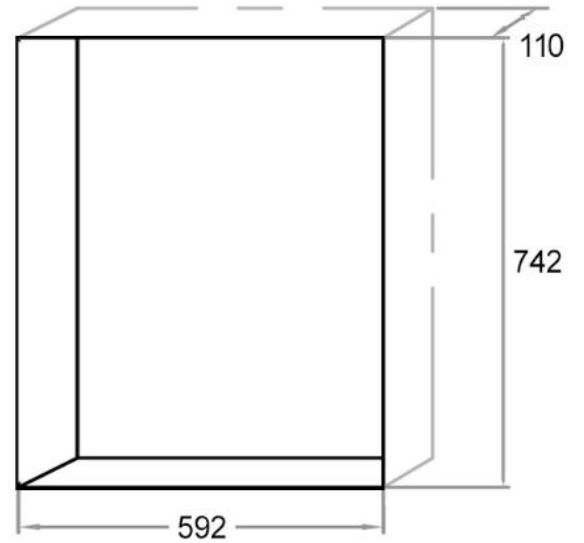
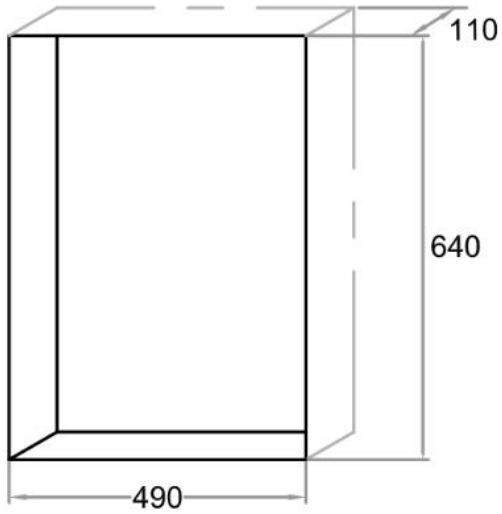
Lift the cabinet onto the mounting bar
Ensure the hooks engage the bar



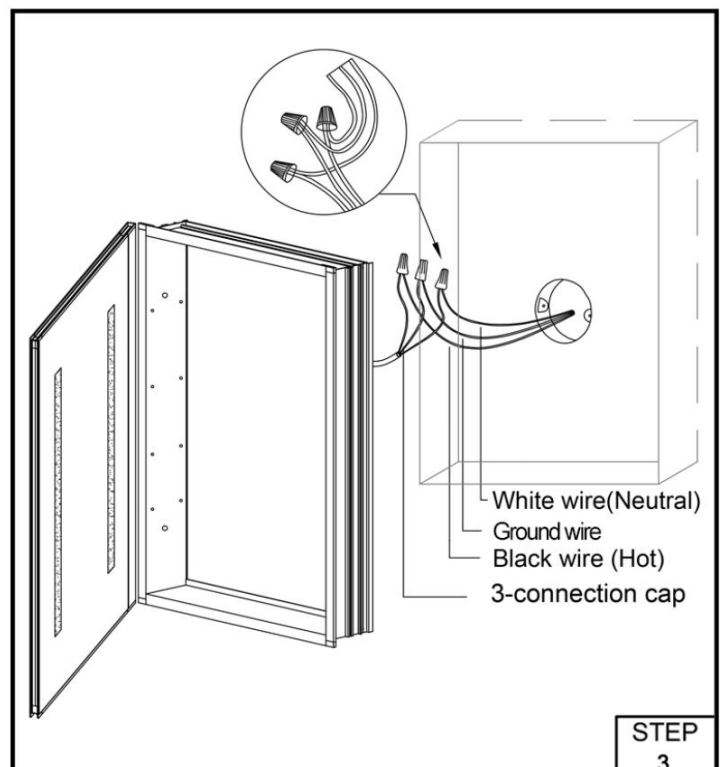
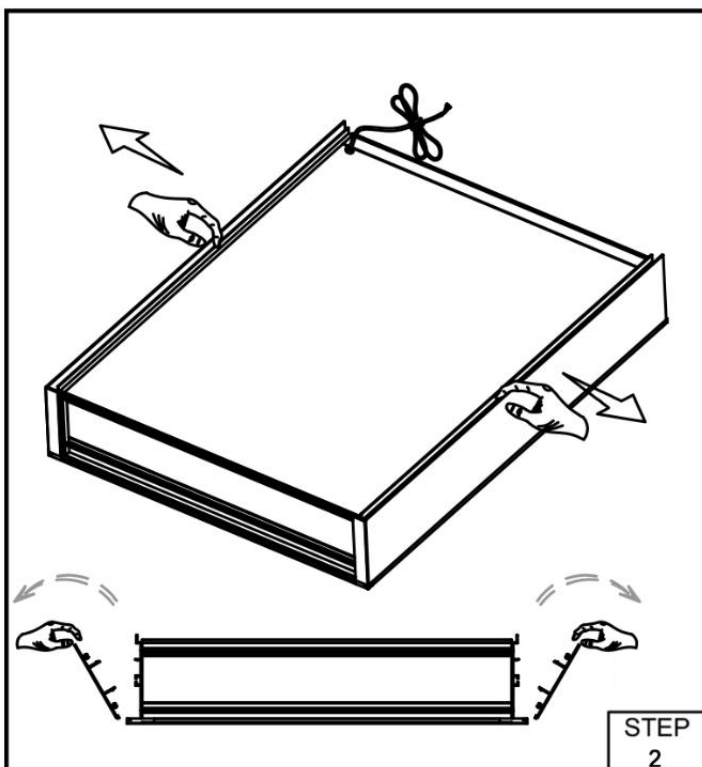
Slide clips onto the bottom T-slot.
Drill pilot holes and secure with round-headed long screws.

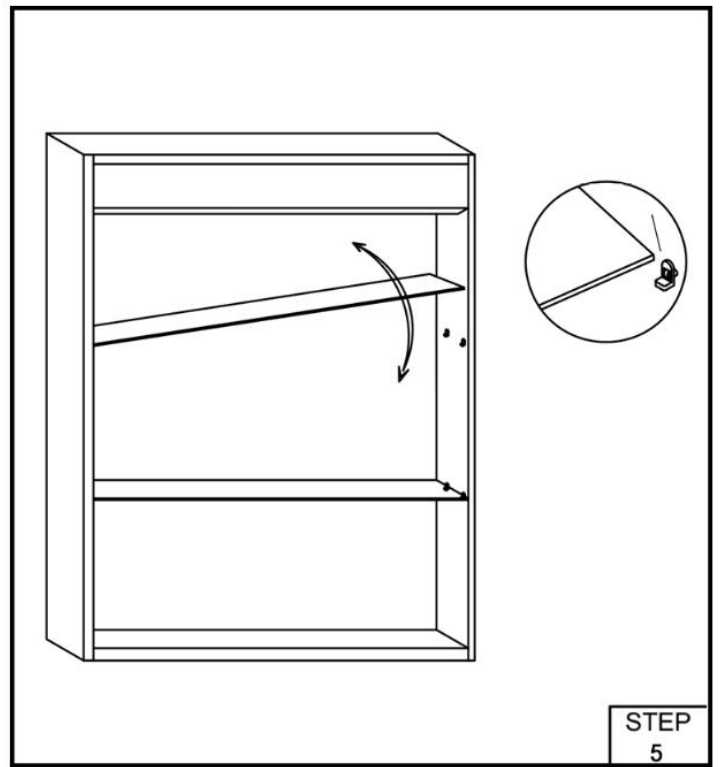
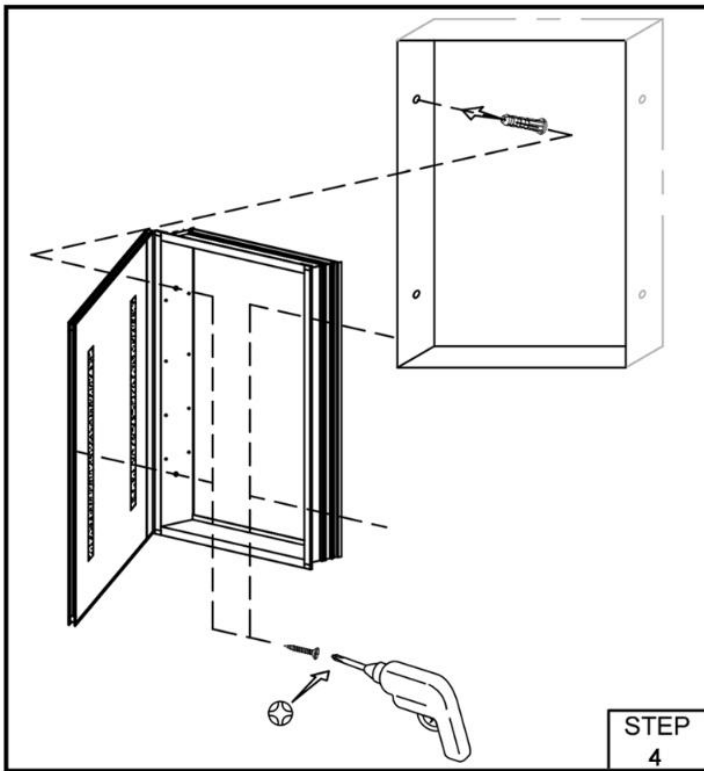


Determine the size of the opening

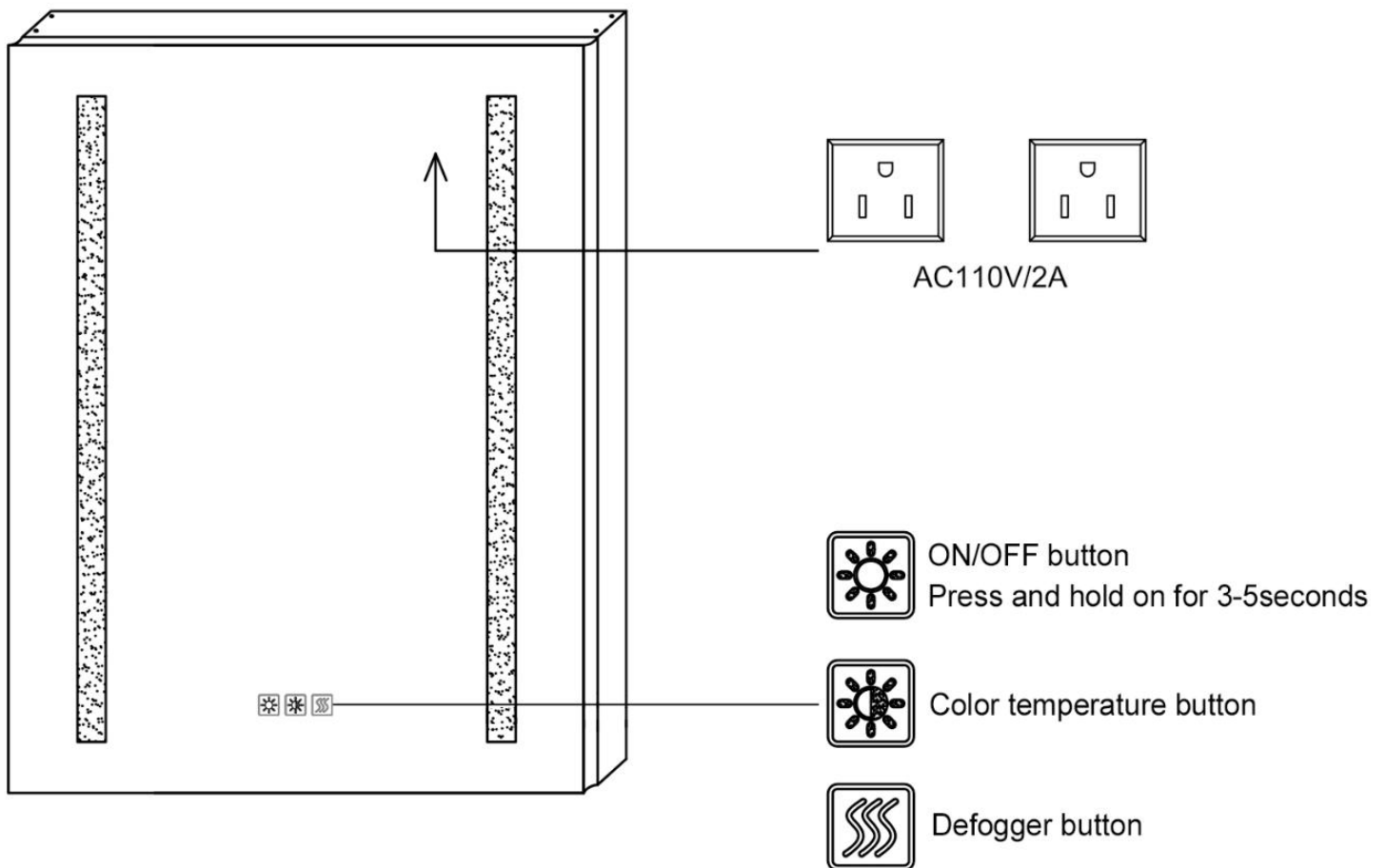


STEP 1





* All diagrams are for reference only. All model dimensions and proportions position will vary.



Short Press to turn on/off the light.
 Press the switch button and hold on for 3-5 seconds to active the dimmer function.
 The first long press, brightness from strong to weak;
 Second long press, brightness from weak to strong.
 These two operations cycle in turn.



Gently press to change the color temperature.
 First press causes the neutral light, it is 4500K.
 Second press causes the cool white light, it is 6400K .
 Third press causes the warm yellow light, it is 3000K.
 The three operations cycle in turn.



First short press, anti-fog function works.
 Second short press, anti-fog function stops.
 The two operations cycle in turn.