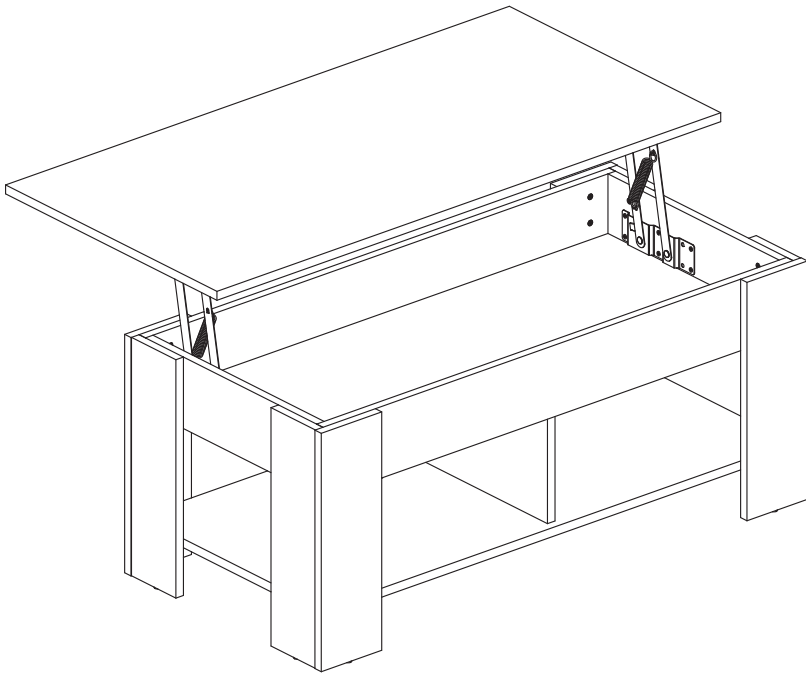


# INSTRUCTION MANUAL

---

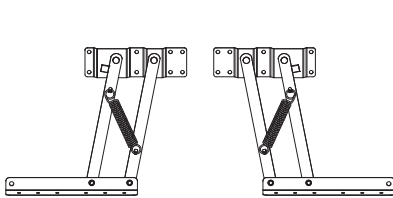
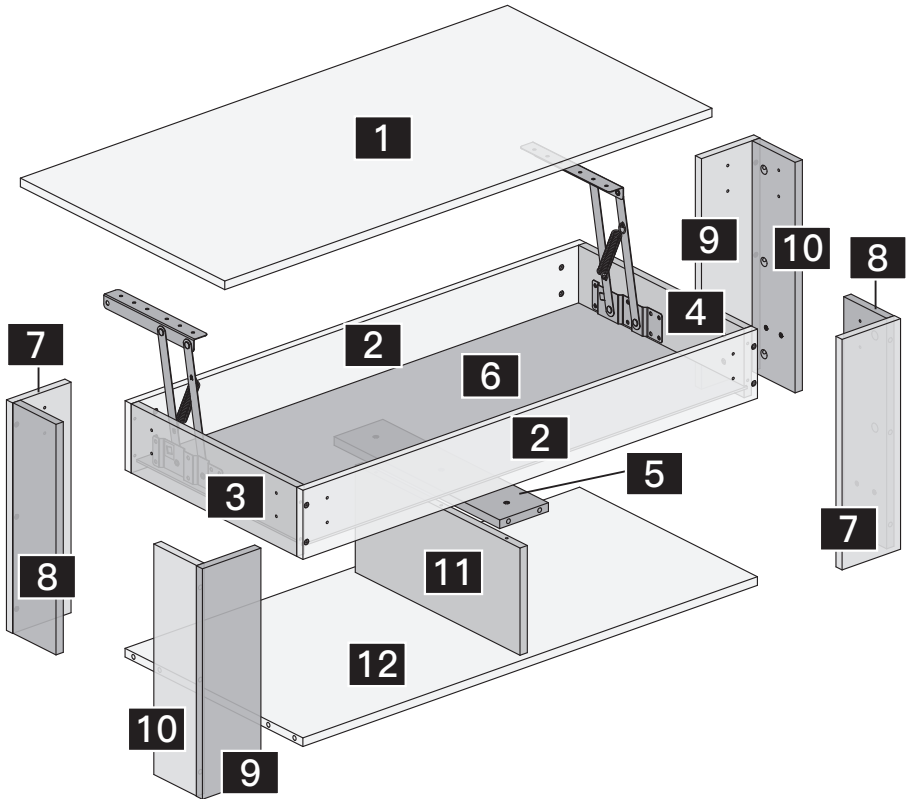


## Coffee Table

---

---

# Supplied Parts and Hardware



Lift Assembly  
[A] x 1

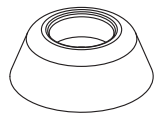
Lift Assembly  
[B] x 1



Cam Bolt  
[C] x 24



Cam Lock  
[D] x 24



Bumper  
[E] x 6



Slider  
[F] x 8



Screw  
M3.5 x 14mm  
[G] x 26

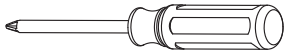


Screw  
M3.5 x 25mm  
[H] x 16

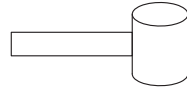


Screw  
M3.5 x 35mm  
[I] x 14

## Tools Needed (NOT Included)

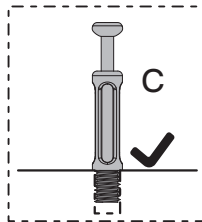
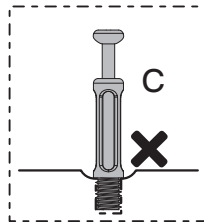
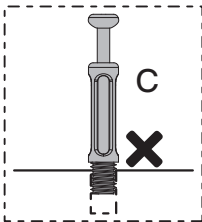
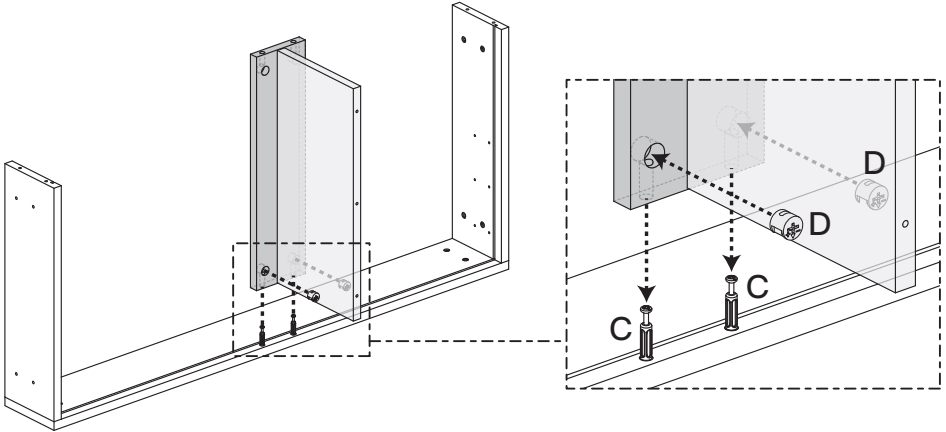


Phillips Screwdriver

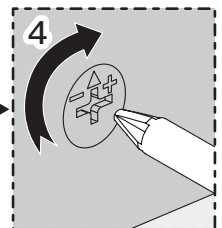
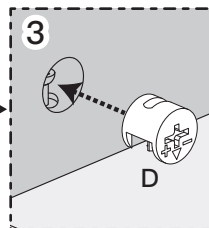
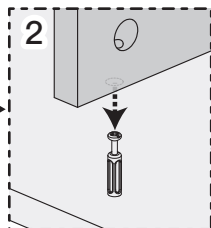
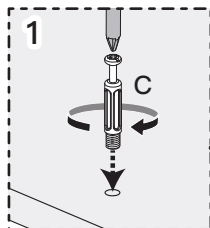


Rubber Mallet

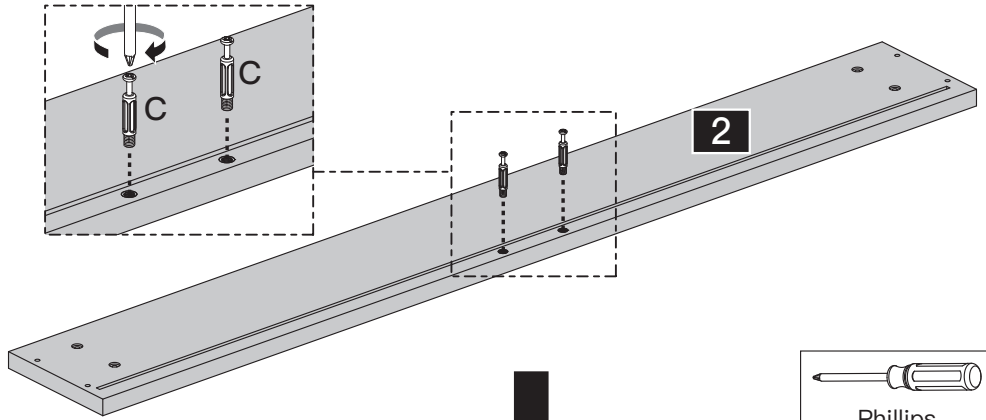
## Using the Cam Lock System




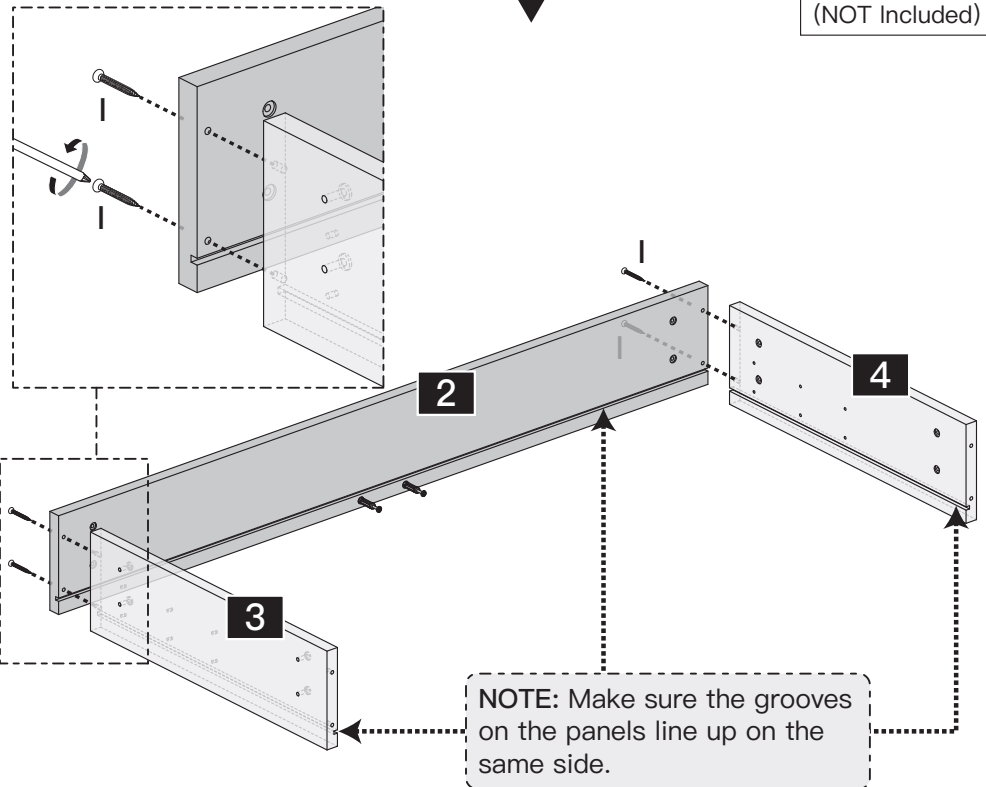
1. Screw cam bolt [C] into the threaded hole on the panel.
2. Connect both panels together. Make sure cam bolt [C] goes into the pre-drilled hole on the end of the panel for cam lock [D].
3. Insert cam lock [D] into the large hole on the panel. Make sure the open slot faces the head of the cam bolt [C].
4. Rotate cam lock [D] clockwise with a Phillips screwdriver to lock the cam bolt [C] in place.



# STEP 1



  
Phillips  
Screwdriver  
(NOT Included)

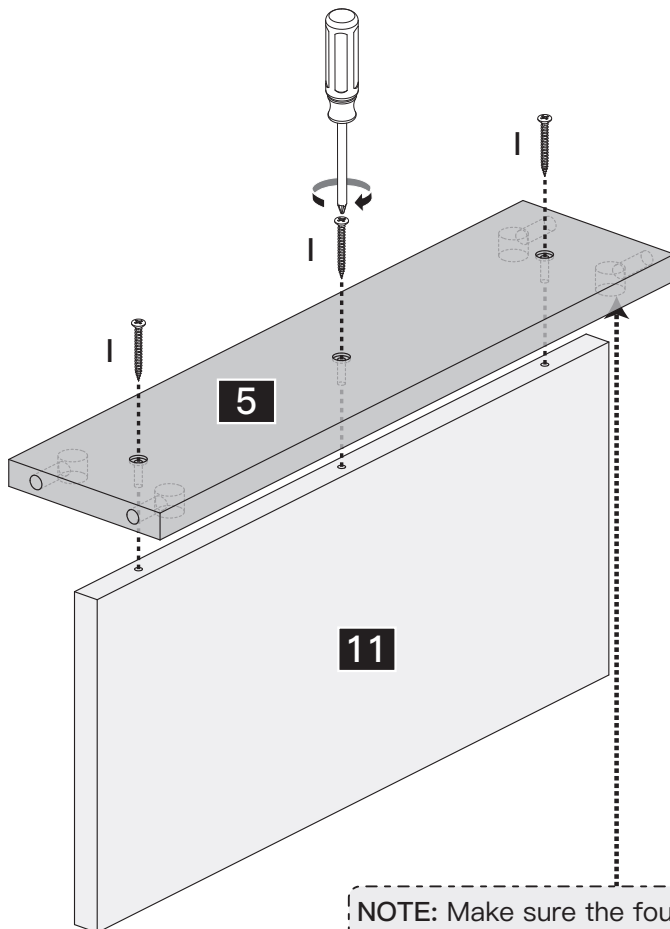


[2] x 1 [3] x 1 [4] x 1 [C] x 2 [I] x 4

## STEP 2



Phillips  
Screwdriver  
(NOT Included)



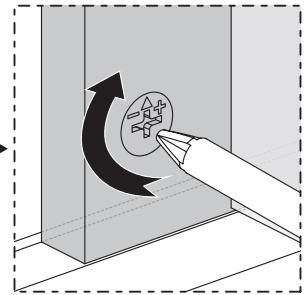
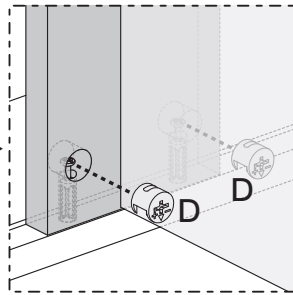
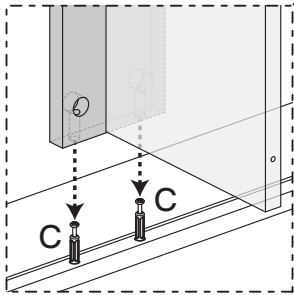
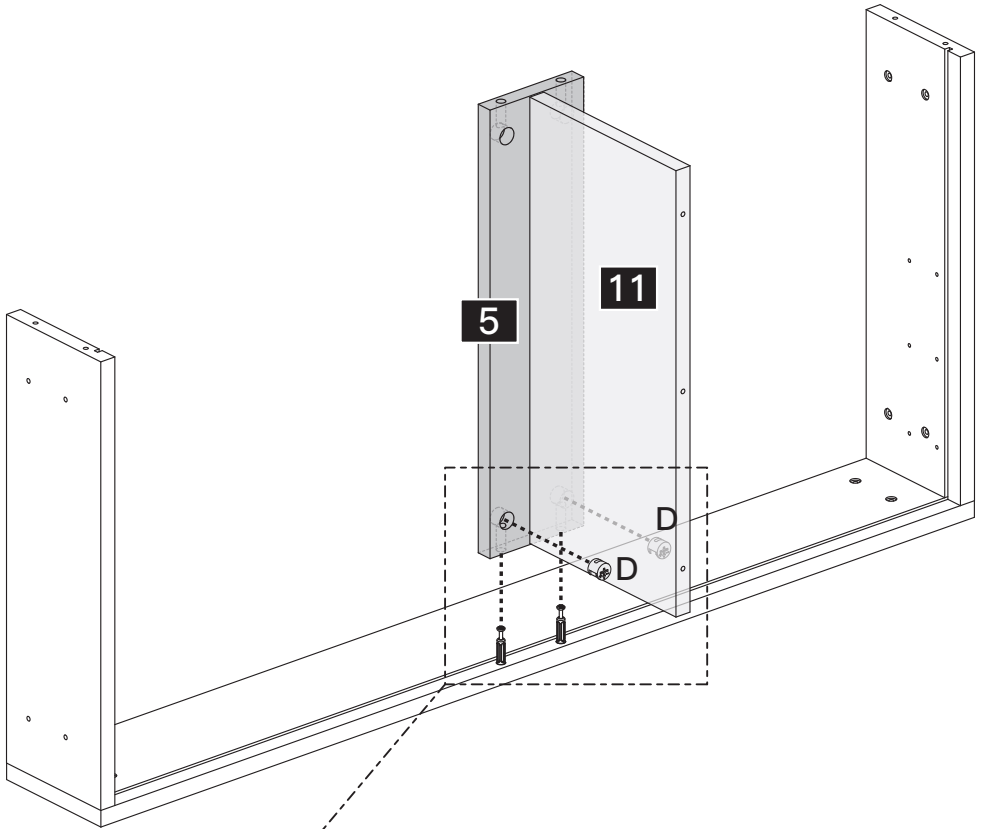
**NOTE:** Make sure the four cam lock holes face down toward panel [11].

[5] x 1 [11] x 1 [1] x 3

# STEP 3

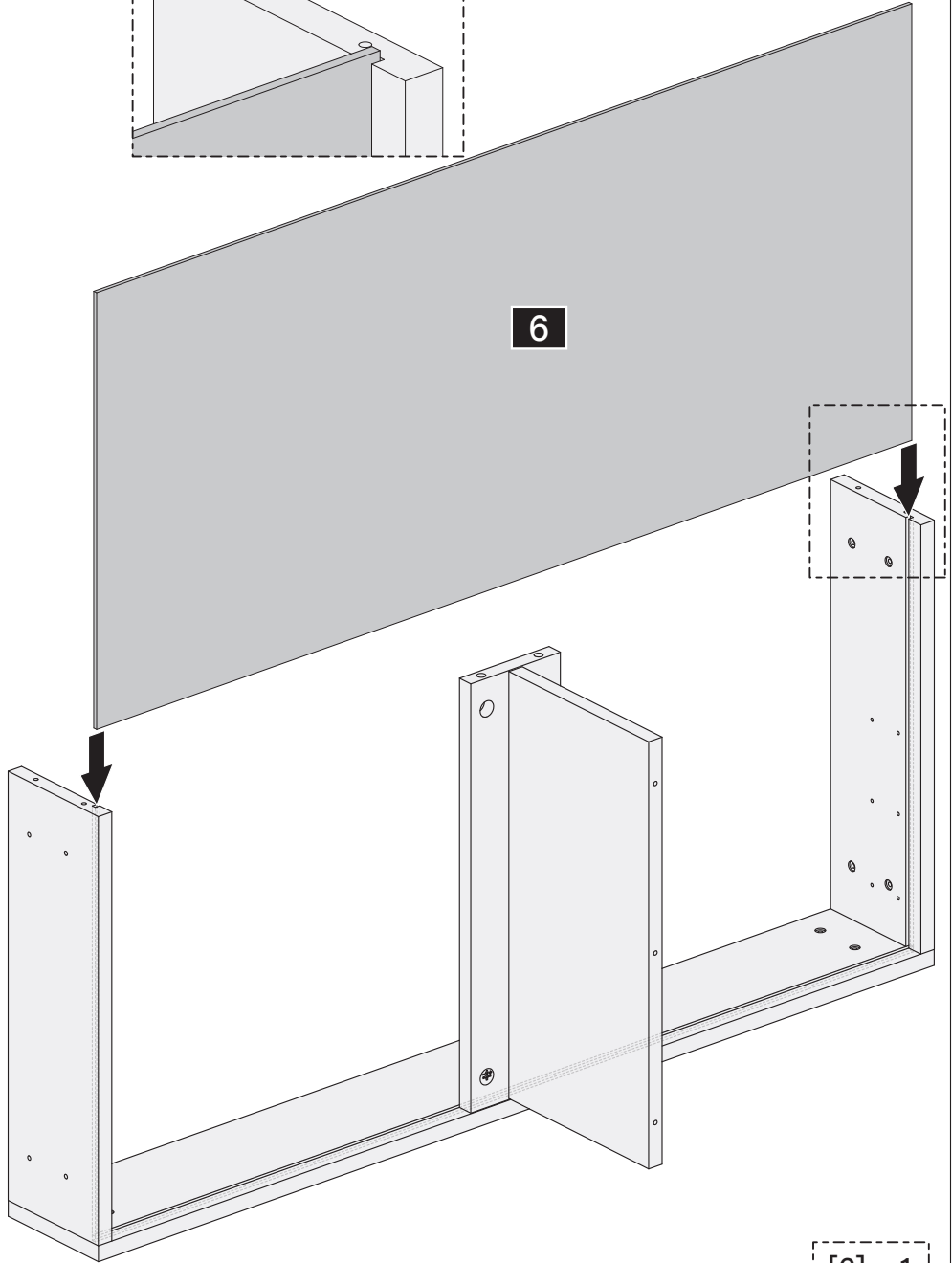
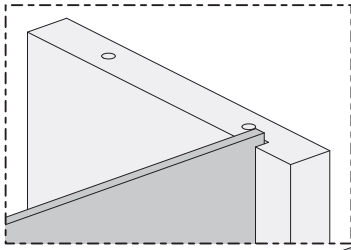


Phillips  
Screwdriver  
(NOT Included)



[D] x 2

**STEP 4**

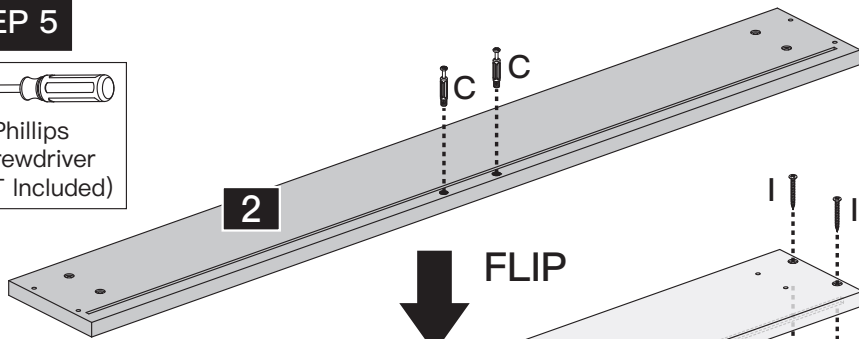


[6] x 1

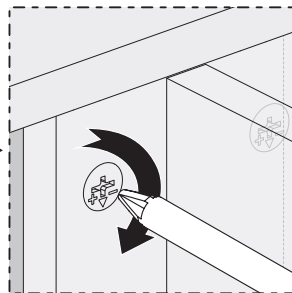
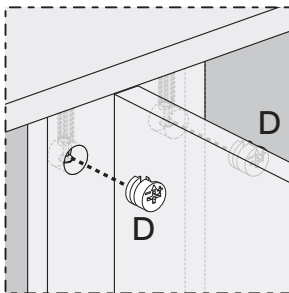
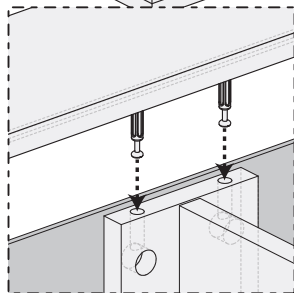
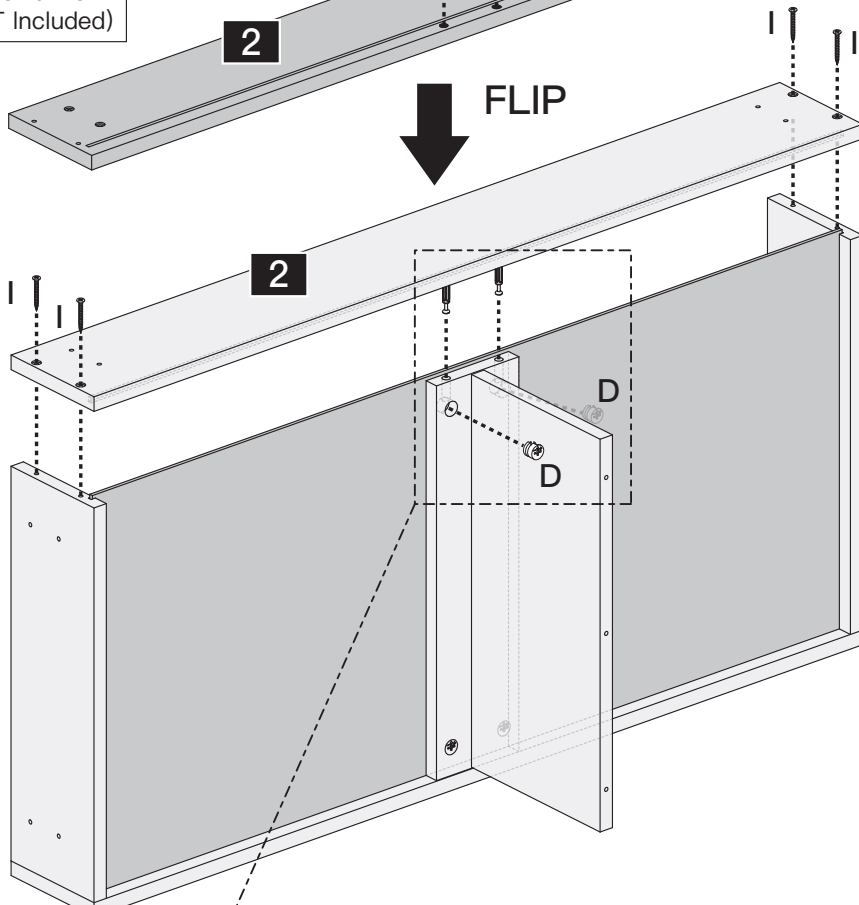
# STEP 5



Phillips  
Screwdriver  
(NOT Included)

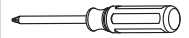


FLIP  
↓

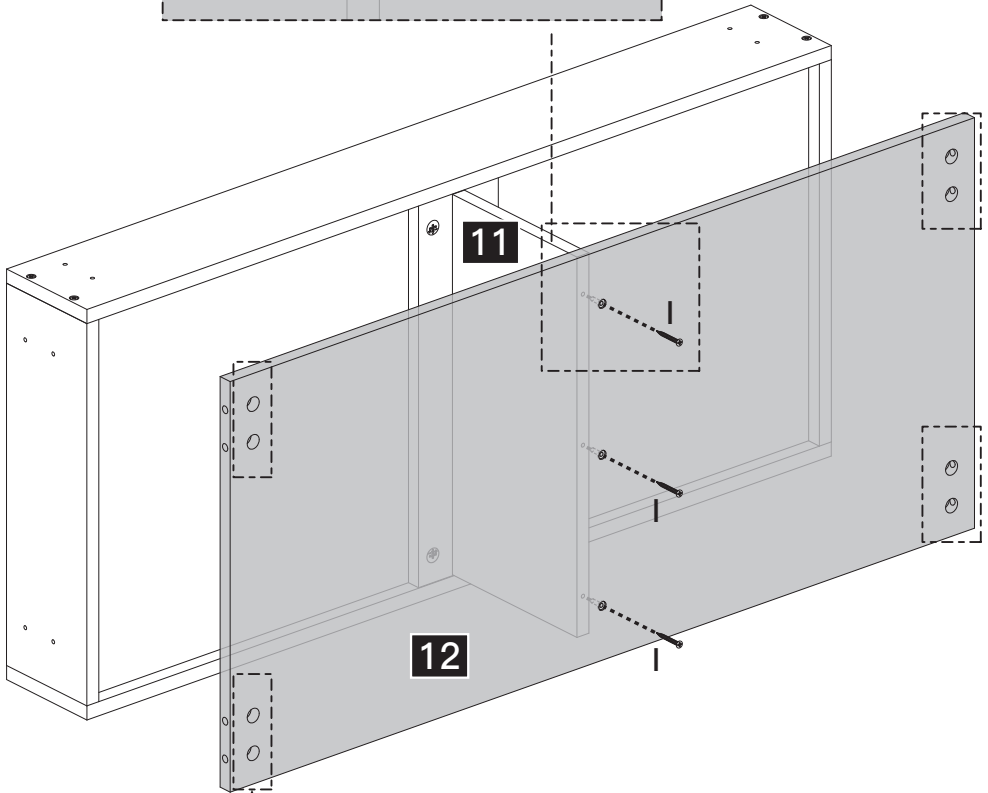
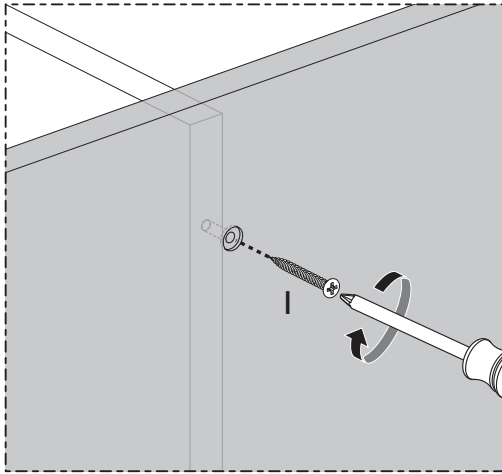


[2] x 1 [C] x 2 [D] x 2 [I] x 4

**STEP 6**



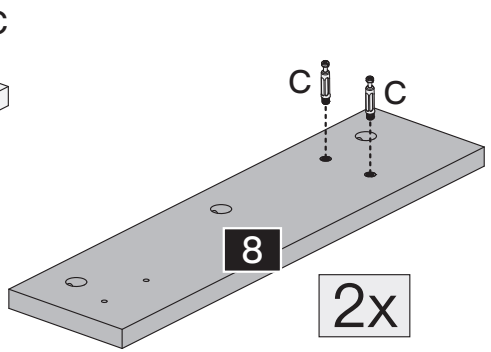
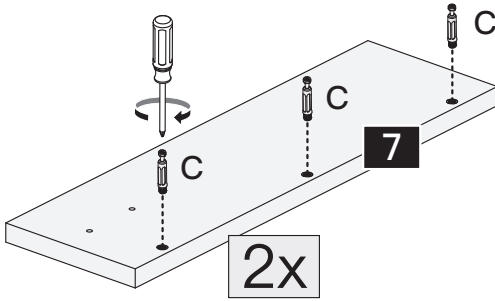
Phillips  
Screwdriver  
(NOT Included)



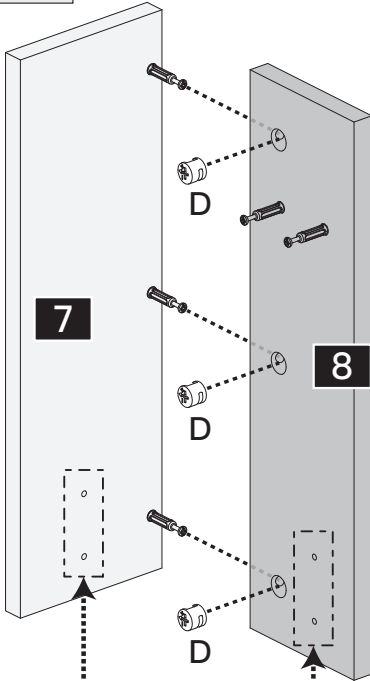
**NOTE:** The cam lock holes should face out in this step.

[12] x 1 [11] x 3

# STEP 7



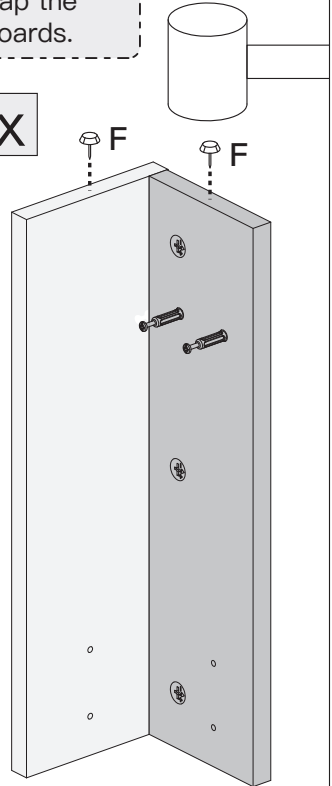
2x



Place these holes at the bottom in this step.

**NOTE:** There are no pilot holes for the sliders. Use a mallet to gently tap the sliders into the boards.

2x

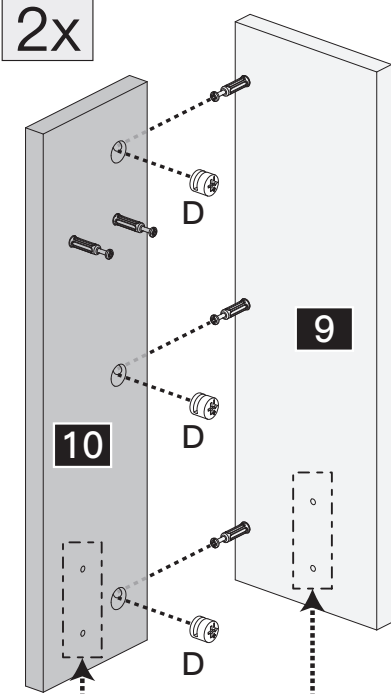
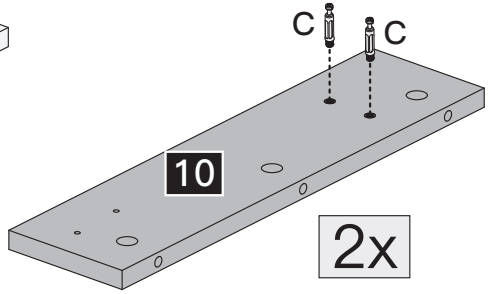
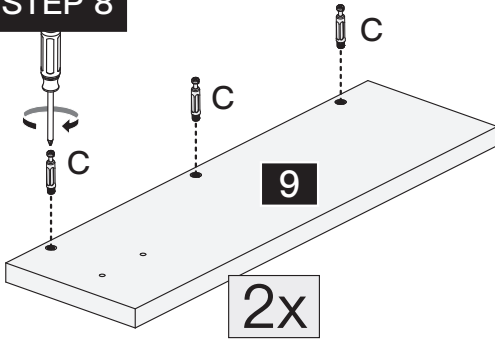


Phillips  
Screwdriver  
(NOT Included)

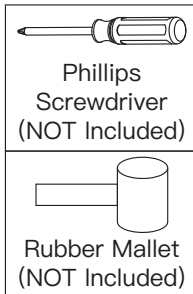
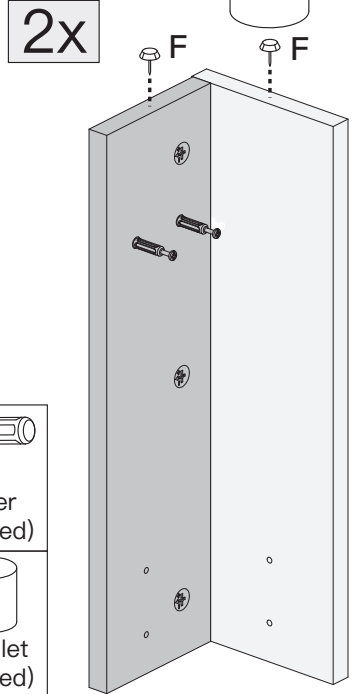
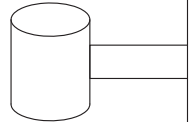
Rubber Mallet  
(NOT Included)

[7] x 2 [8] x 2 [C] x 10 [D] x 6 [F] x 4

**STEP 8**



**NOTE:** There are no pilot holes for the sliders. Use a mallet to gently tap the sliders into the boards.



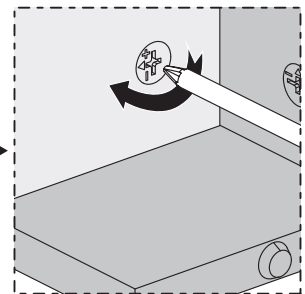
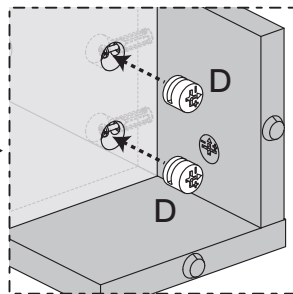
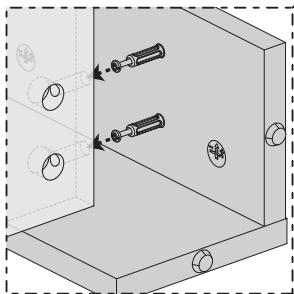
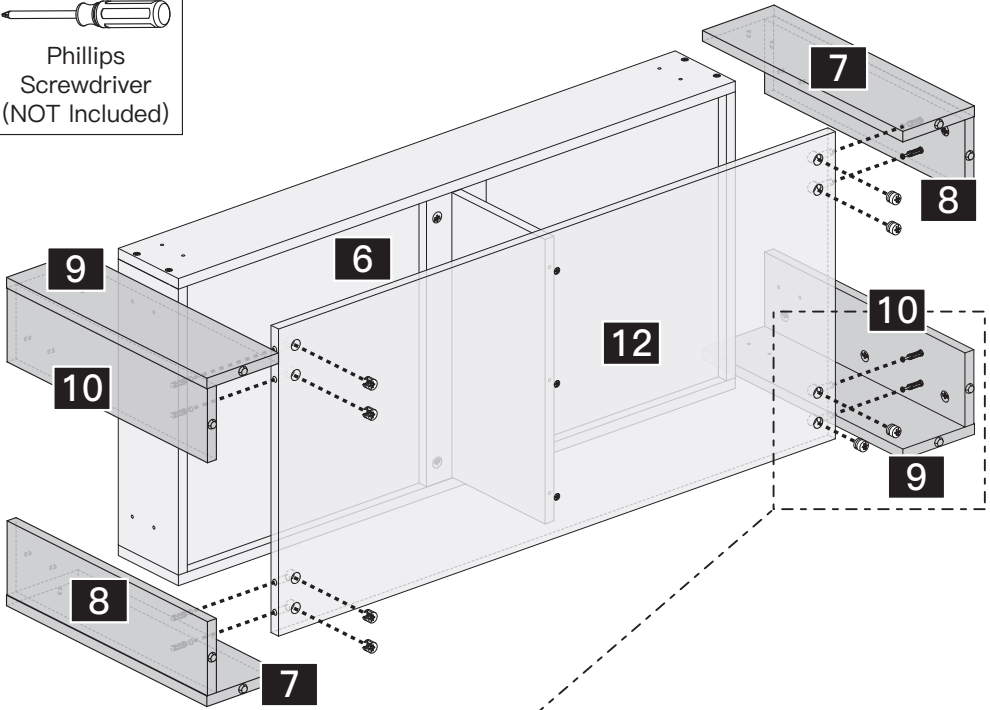
Place these holes at the bottom in this step.

[9] x 2 [10] x 2 [C] x 10 [D] x 6 [F] x 4

# STEP 9

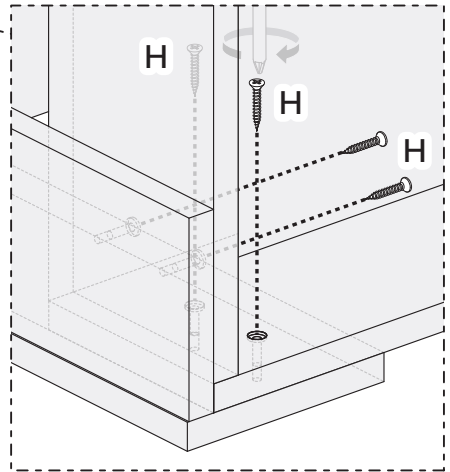
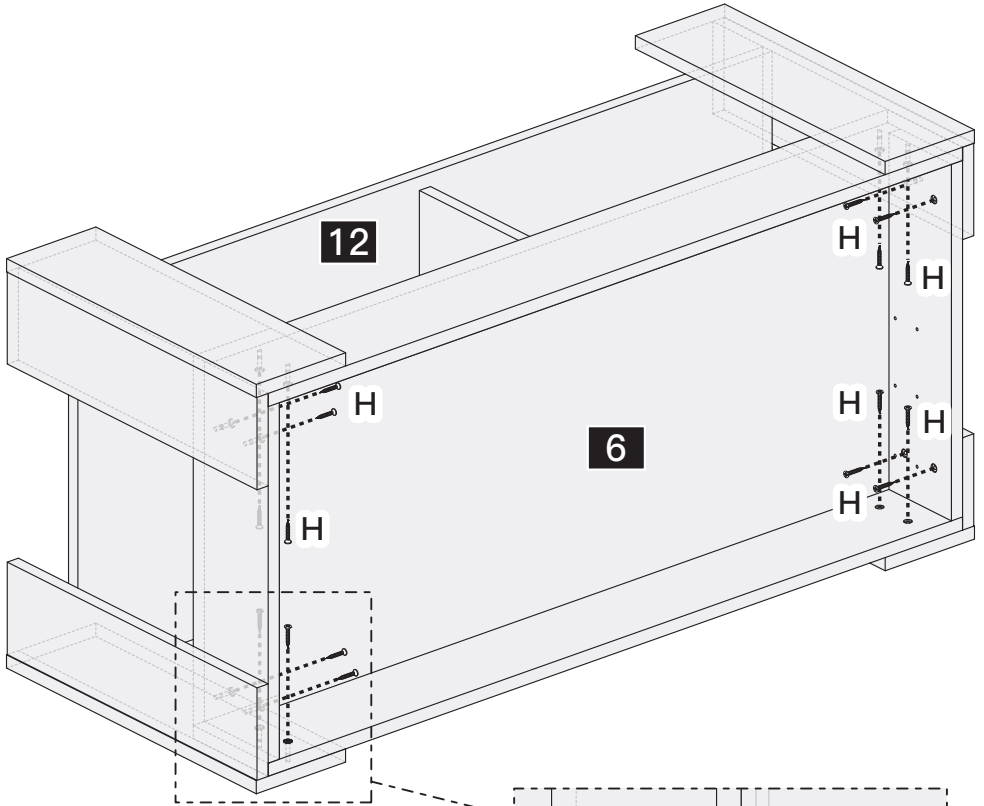


Phillips  
Screwdriver  
(NOT Included)



[D] x 8

**STEP 10**



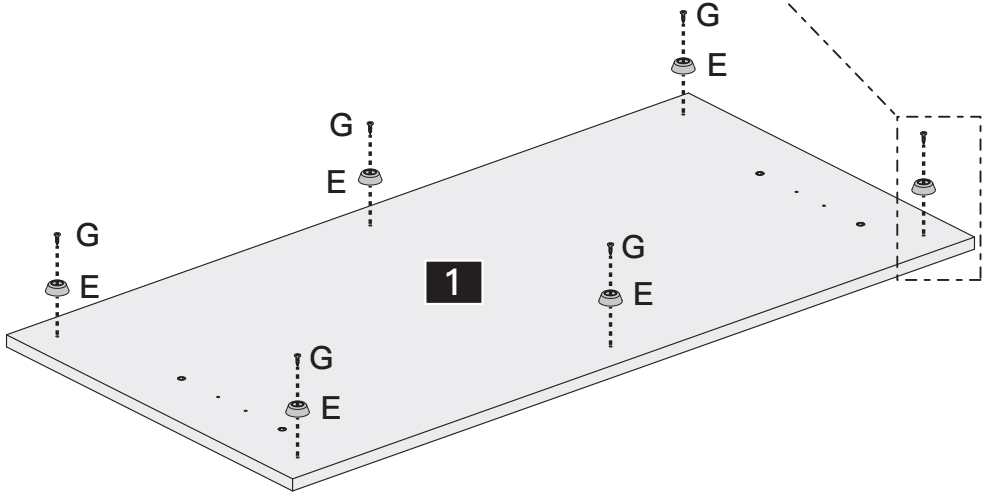
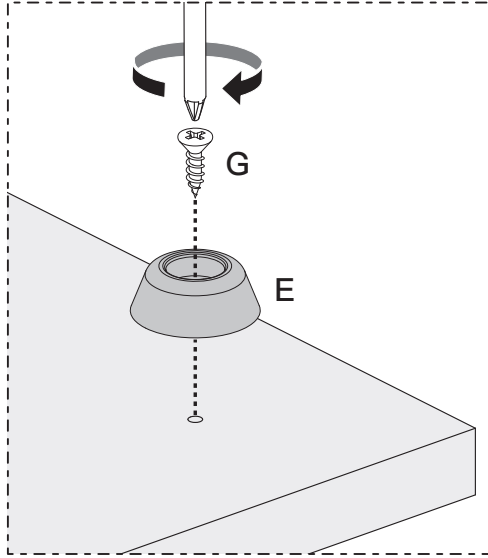
Phillips  
Screwdriver  
(NOT Included)

[H] x 16

# STEP 11



Phillips  
Screwdriver  
(NOT Included)



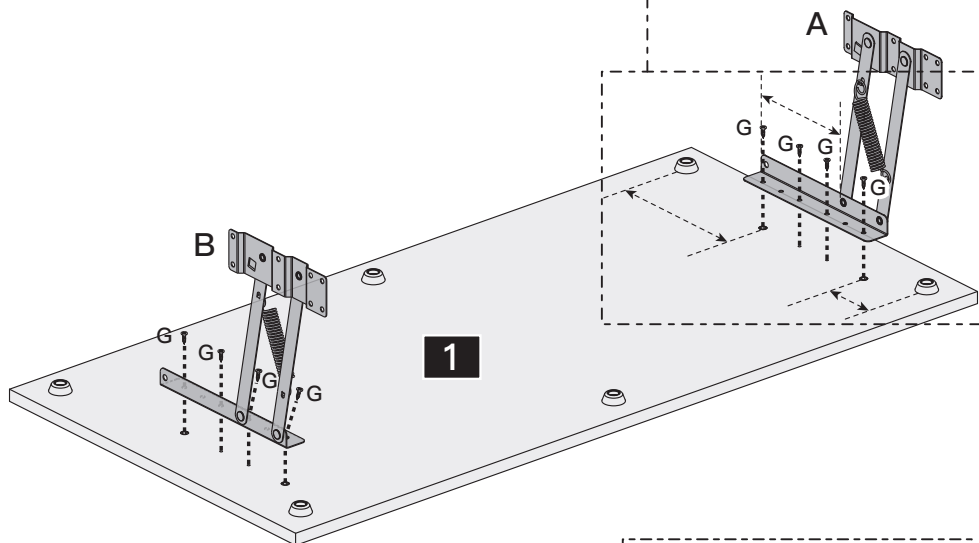
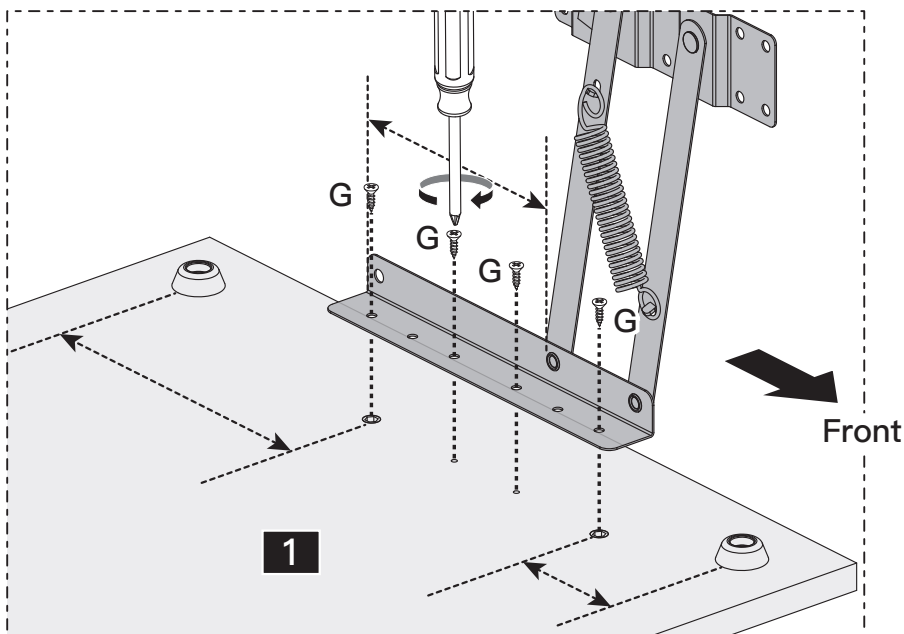
[1] x 1 [E] x 6 [G] x 6

# STEP 12



Phillips  
Screwdriver  
(NOT Included)

**NOTE:** The springs should face inward on each side. Secure each lift assembly toward the front of the top panel [1].



[A] x 1 [B] x 1 [G] x 8

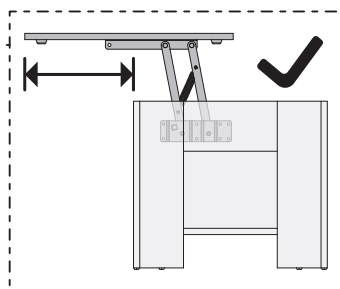
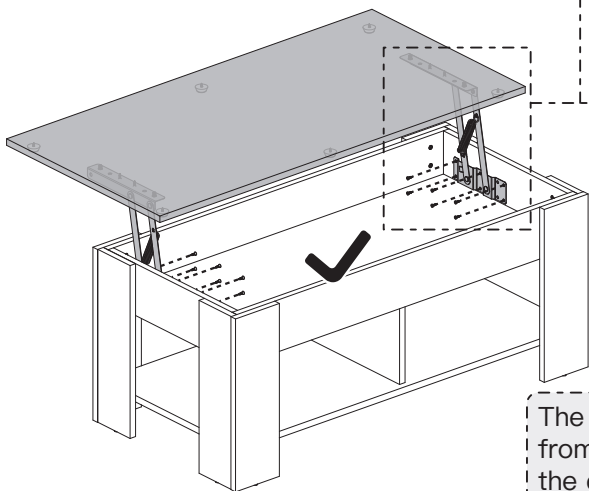
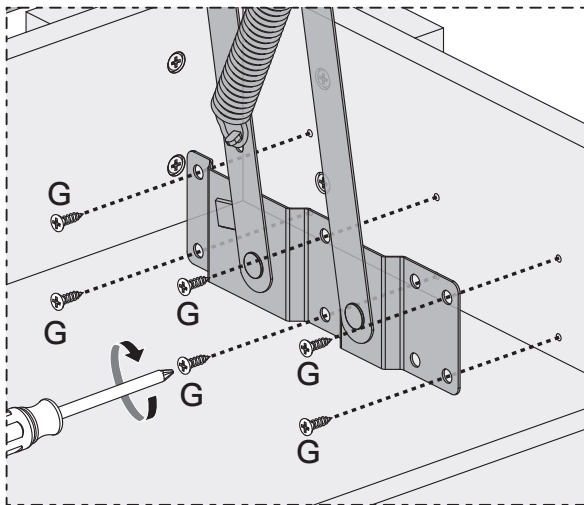
# STEP 13



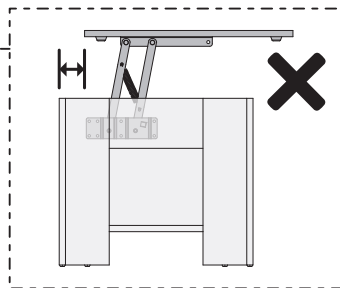
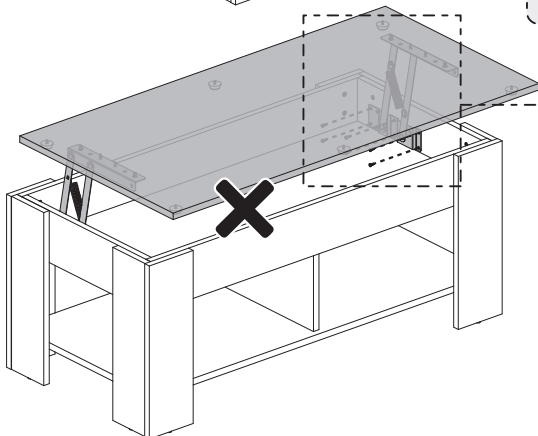
Phillips  
Screwdriver  
(NOT Included)



You may need  
assistance with  
this step.



The top panel should open away from the table. Please refer to the correct configuration above.



[G] x 12