

INSTALLATION INSTRUCTIONS CARE AND MAINTENANCE

American Standard

Studio® S - Drop-In Sink

Models 1296, 1297, 1298

Thank you for selecting American Standard - the benchmark of fine quality for over 100 years. To ensure this product is installed properly, please read these instructions carefully before you begin. (Certain installations may require professional help.) Also be sure your installation conforms to local codes.

CAUTION: PRODUCT IS FRAGILE. TO AVOID BREAKAGE AND POSSIBLE INJURY HANDLE WITH CARE!

NOTE: Pictures may not exactly define contour of china and components.

OBSERVE LOCAL PLUMBING AND BUILDING CODES

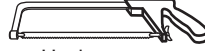
RECOMMENDED TOOLS & MATERIALS



Putty Knife



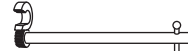
Adjustable Wrench



Hacksaw



Pipe Wrench



Basin Wrench



Level



Channel Lock Pliers



Regular Screwdriver



Phillips Screwdriver



Plumbers' Putty or Caulking



Tubing Cutter



Drill

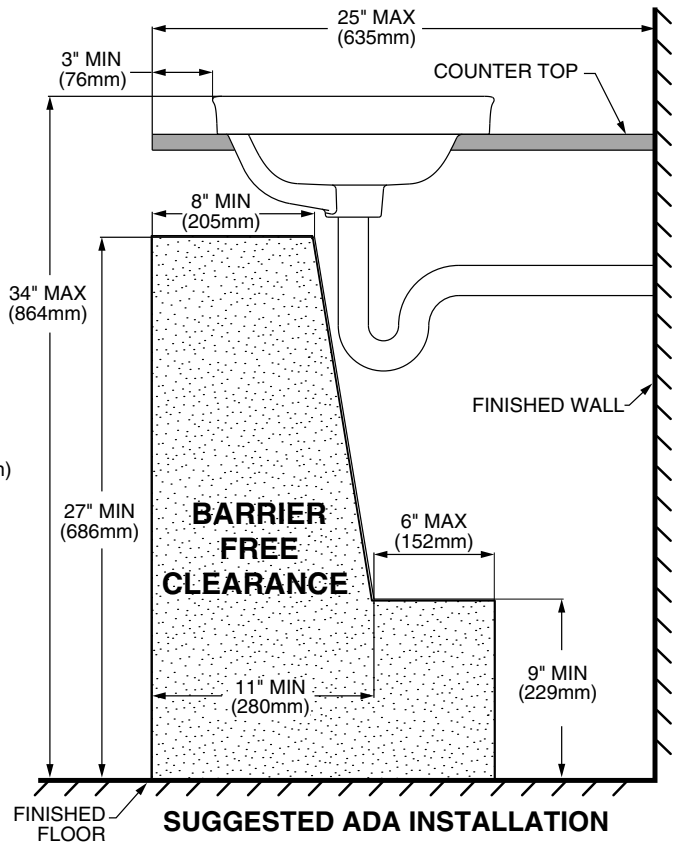
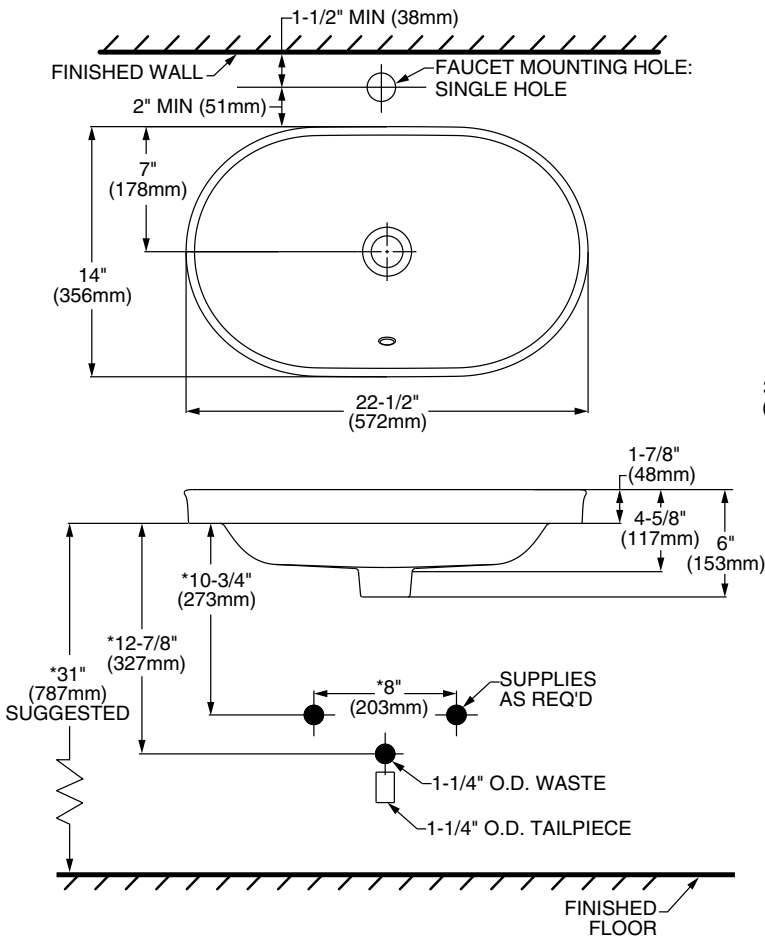


Tape Measure



Jig Saw

ROUGHING-IN DIMENSIONS: Model 1296



USE FOR FUTURE SAVE

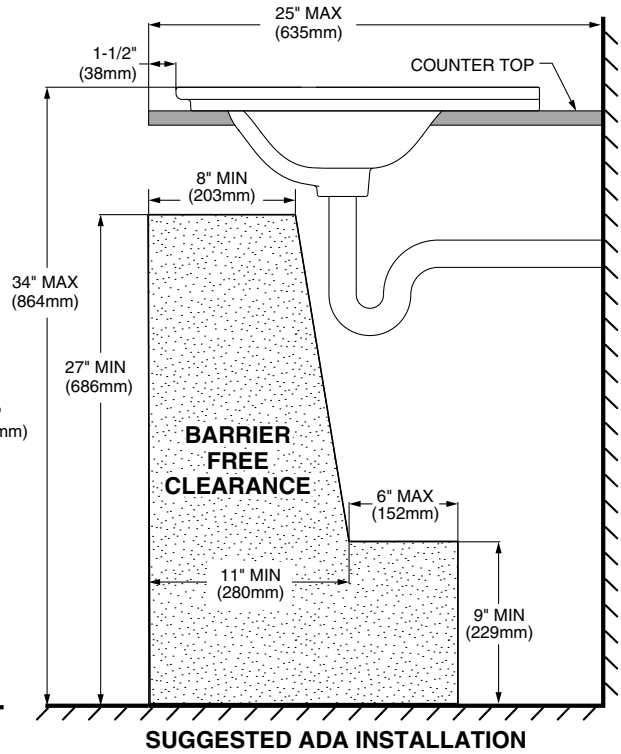
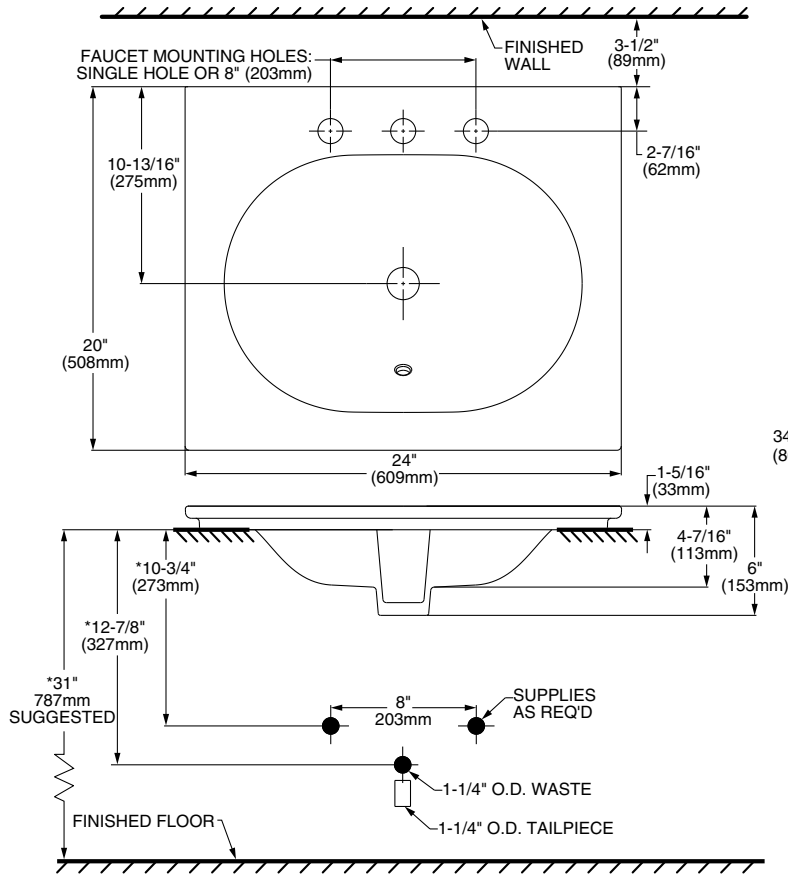


770279-100R1

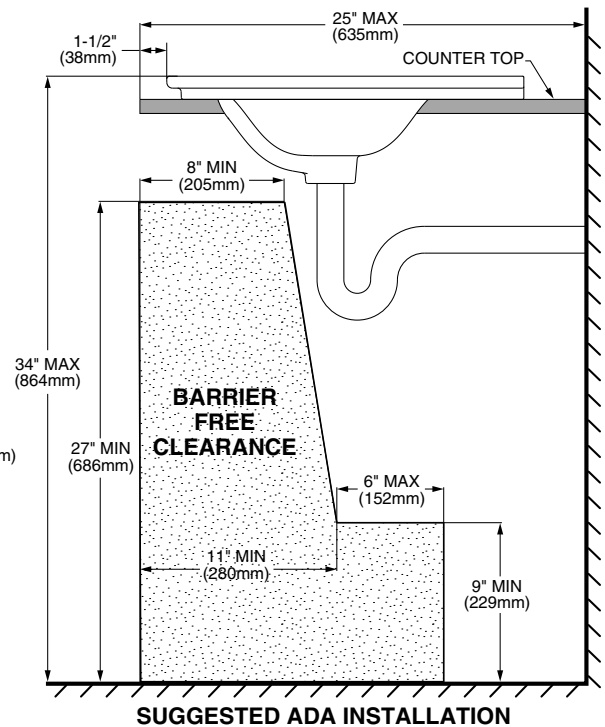
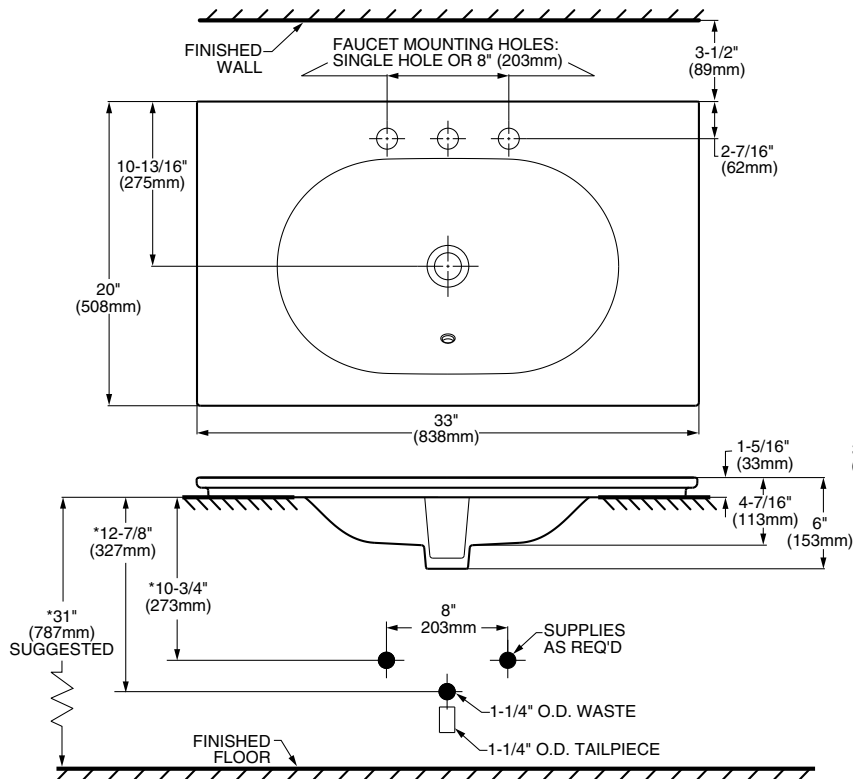
Product names listed herein are trademarks of AS America, Inc.
© AS America, Inc. 2020

770279-100 Rev. 1 05/2020

ROUGHING-IN DIMENSIONS: Model 1297



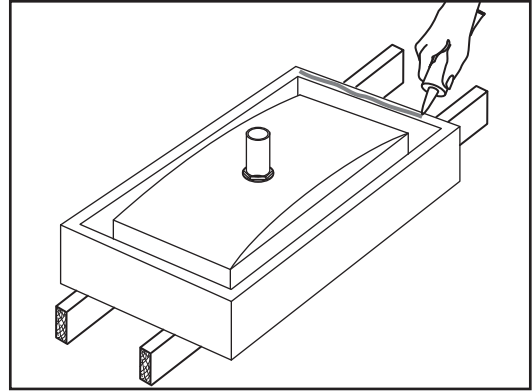
ROUGHING-IN DIMENSIONS: Model 1298



1**Drop-In Installation:**

Using the template provided, locate the position of the sink on the above counter. Provide proper clearance under the countertop for the faucet supply lines, drain assembly and the structural parts of the cabinet.

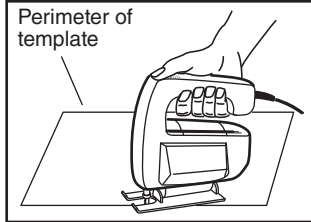
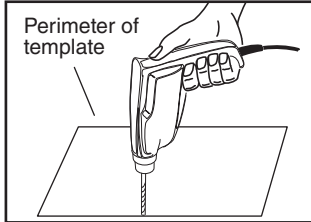
NOTE: If replacing an existing sink be certain to shut off water supply before removing old sink.

5

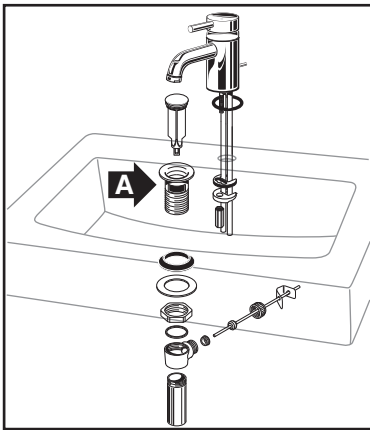
After checking fit and alignment, turn sink upside down and apply a generous portion of silicone adhesive around the under side of the rim near the edge. Place sink in position. Wipe off excess adhesive.

2

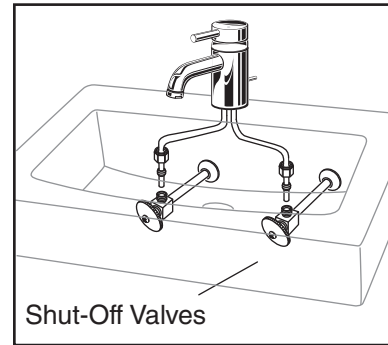
Drill a clearance hole inside the perimeter line of the template for drop-in installation.



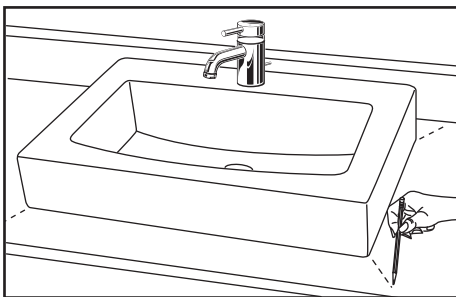
Cut opening around the perimeter of the template.

3

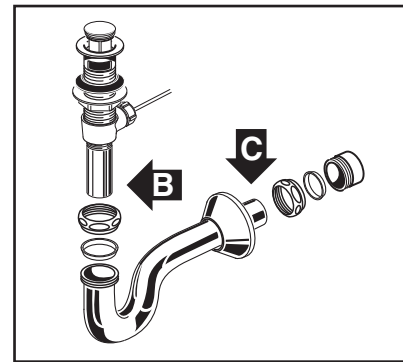
Mount the faucet and drain assembly (not included) on the sink following the manufacturer's instructions. Be certain to apply a bead of sealing putty on the underside of the drain (if required) (Part "A") in order to ensure a watertight seal between the sink and drain. Remove excess putty after installing drain on sink.

6

Connect supply line to faucet (finger tight) and carefully bend tubes to engage with the supply shut-off valves. Tighten connections at faucet and shut-off valves for secure seal.

4**Drop-In Installation:**

- Place the sink temporarily into the template
- Check for alignment and clearance
- Mark the sink and countertop in several places as a guide for the installation location.

7

Connect trap to drain assembly hand tight to check alignment. It may be necessary to cut off part of the tailpiece (area "B") or part of the horizontal leg of the trap (area "C"). Secure joints for watertight assembly.

AMERICAN STANDARD ONE-YEAR LIMITED WARRANTY

If inspection of this American Standard plumbing product, within one year after its initial purchase, confirms that it is defective in materials or workmanship, American Standard will repair or, at its option, exchange the product for a similar model.

This warranty **does not apply** to local building code compliance. Since local building codes vary considerably, the purchaser of this product should check with a local building or plumbing contractor to insure local code compliance before installation.

This warranty **shall be void** if the product has been moved from its initial place of installation; if it has been subjected to faulty maintenance, abuse, misuse, accident or other damage; if it was not installed in accordance with American Standard's instructions; or if it has been modified in a manner inconsistent with the product as shipped by American Standard.

American Standard's option to repair or exchange the product under this warranty does not cover any labor or other costs of removal or installation, **nor shall American Standard be responsible for any other incidental or consequential damages attributable to a product defect or to the repair or exchange of a defective product, all of which are expressly excluded from this warranty.** (Some states or provinces do not allow the exclusion or limitation of implied warranties, so this exclusion may not apply to you.)

This warranty gives you specific legal rights. You may have other statutory rights that vary from state to state or from province to province, in which case this warranty does not affect such statutory rights.

For service under this warranty, it is suggested that a claim be made through the contractor or dealer from or through whom the product was purchased, or that a service request (including a description of the product model and of the defect) be sent to the following address:

In the United States:

American Standard Brands
1 Centennial Ave
Piscataway, New Jersey 08854
Attention: Director of Customer Care
For residents of the United States, warranty information may also be obtained by calling the following toll free number: (800) 442-1902
www.americanstandard.com

In Canada:

LIXIL Canada, ULC
5900 Avebury Rd.
Mississauga, Ontario
Canada L5R 3M3
Toll Free: (800) 387-0369
www.americanstandard.ca

In Mexico:

American Standard B&K Mexico
S. de R.L. de C.V.
Via Morelos #330
Col. Santa Clara
Ecatepec 55540 Edo. Mexico
Toll Free: 01-800-839-1200
www.americanstandard.com.mx