

# ASSEMBLY INSTRUCTIONS

## Left Side Chair with one Arm



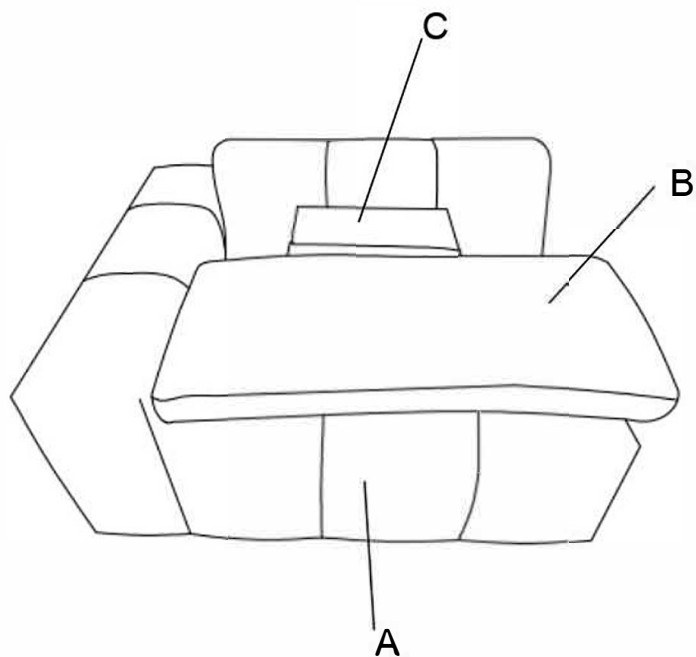
Plastic legs have been pre-installed at the bottom of the chair.

Note: Do not use power tools for assembly. Power tools increase the risk of over tightening which lead to splitting or cracking the wood.

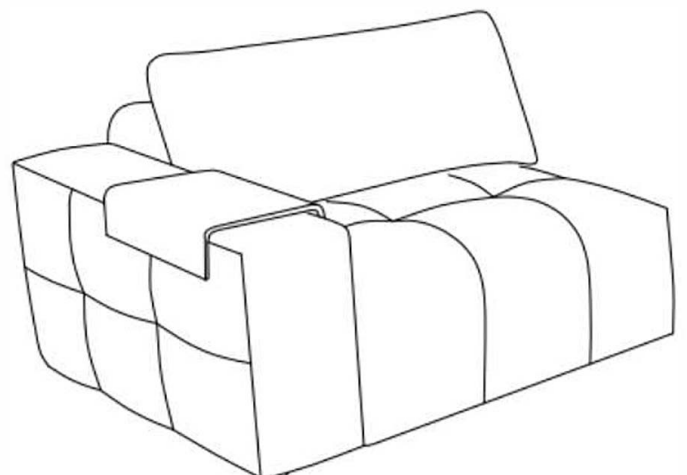
### COMPONENT LIST

NO	DRAWING	DESCRIPTION	QTY
A		LSF CHAIR	1 PC
B		BACK CUSHION	1 PC
C		PLYWOOD ARM TRAY 17.7"x 12.2"x 4.7"	1 PC

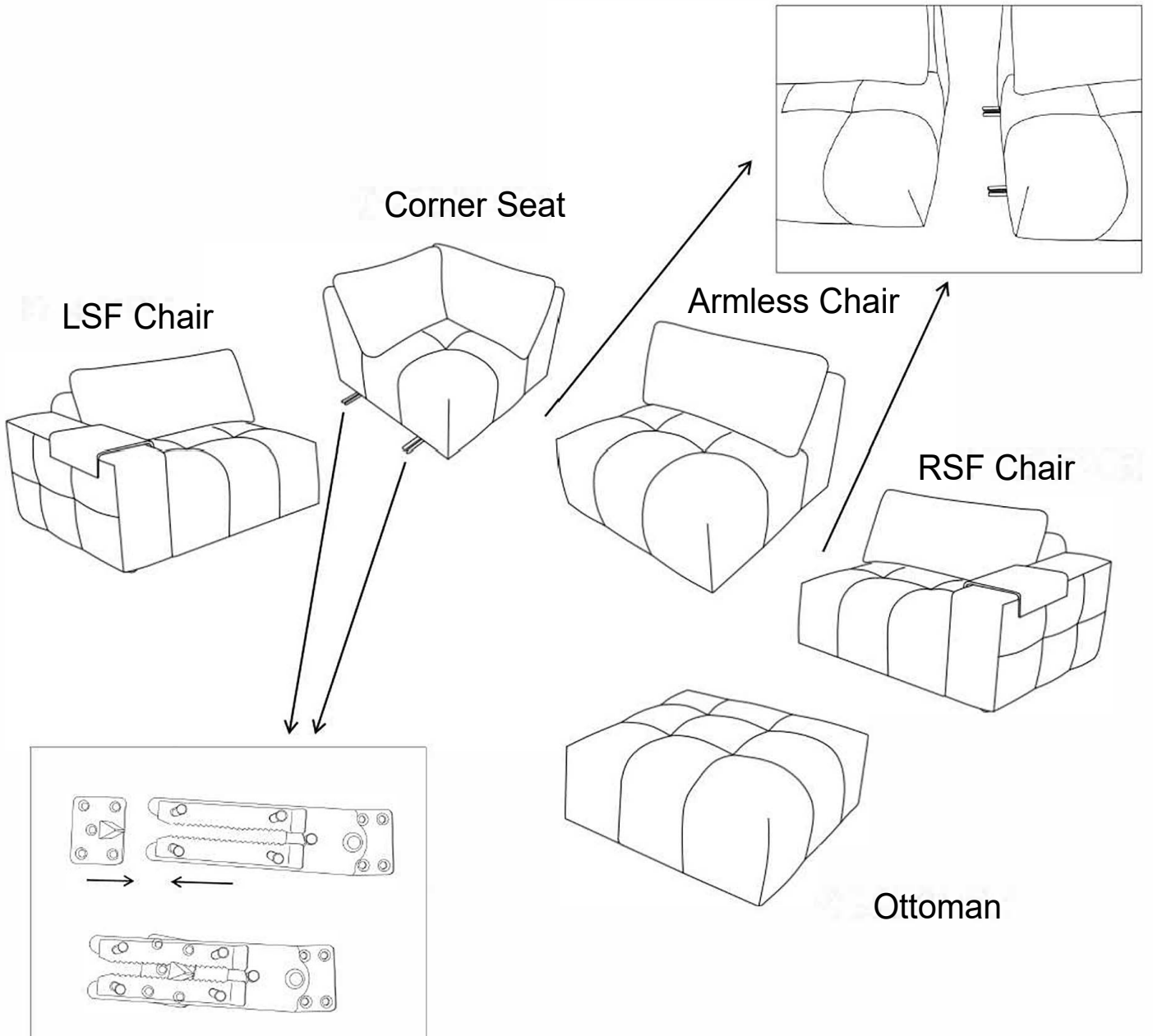
STEP 1:



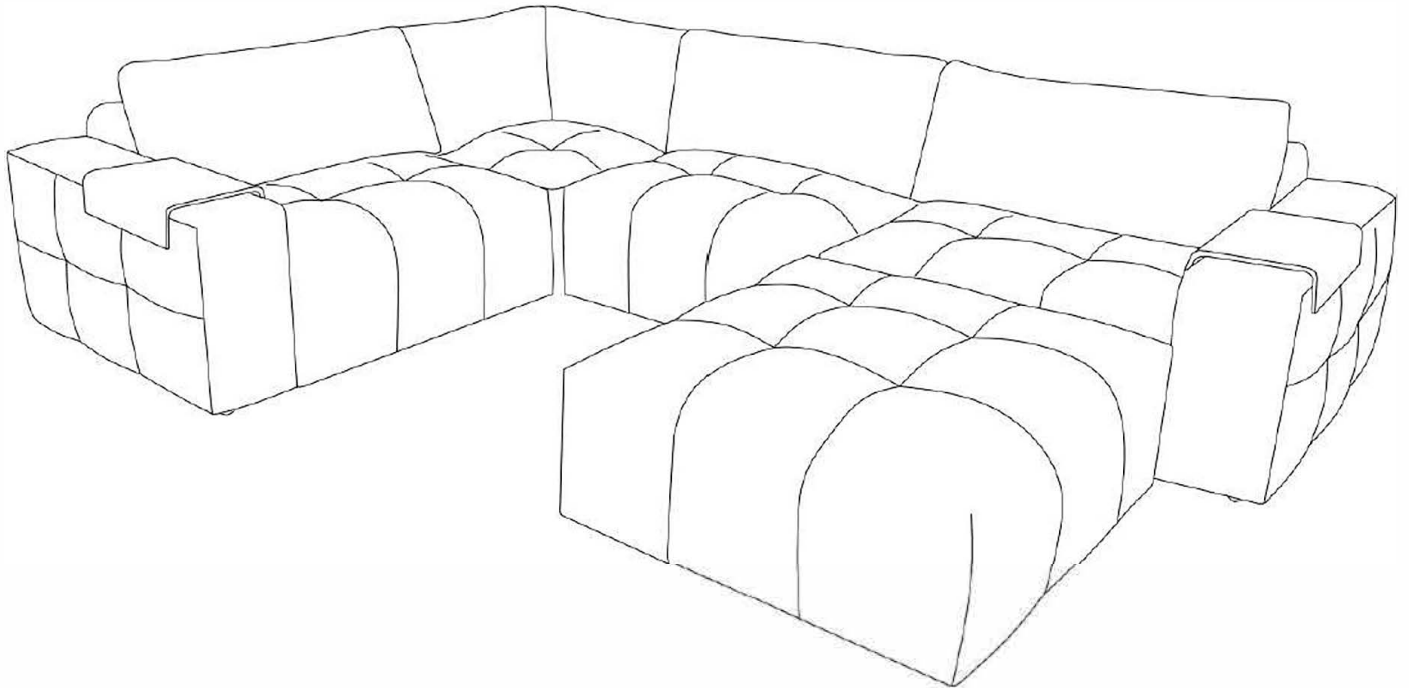
STEP 2: Completed.



STEP 3:



## STEP 4: Sectional Completed.



### Care Instructions for Textured Fabric Furniture:

In order to maintain the original appearance of your textured fabric, please follow below simple care procedures:

- Avoid exposing furniture directly to sunlight or heating and air conditioning outlets. Sunlight and/or exposure to heating and air conditioning outlets will fade/damage textured fabric. Do not place your upholstered furniture too close to windows, radiators, or vents.
- Vacuum or wipe with a soft cloth to remove dust.
- Hardware may loosen over time. Periodically check to make sure all connections are tight. Re-tighten if necessary.



For items use on wooden floor, hard surfaces or carpets, it is recommended to install protective pads under all legs and supports to avoid/prevent from damages/scratches and discoloration.

# ASSEMBLY I N S T R U C T I O N S

## Right Side Chair



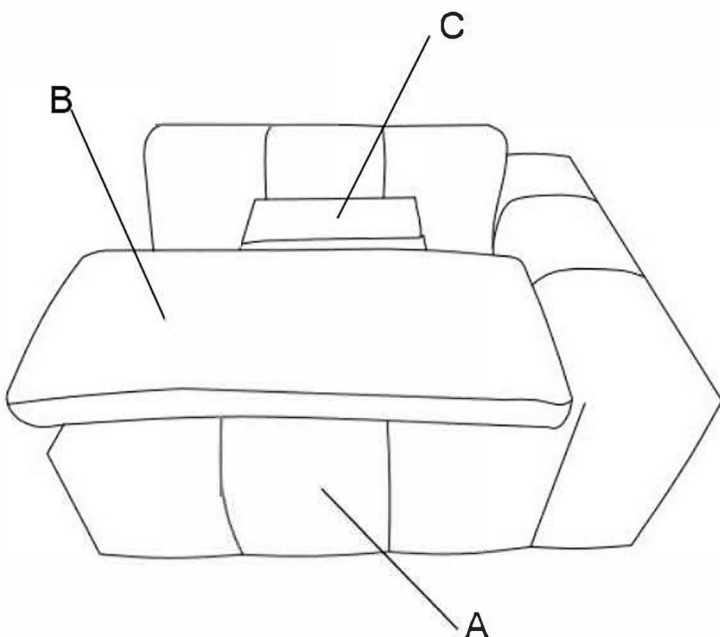
Plastic legs have been pre-installed at the bottom of the chair.

Note: Do not use power tools for assembly. Power tools increase the risk of over tightening which lead to splitting or cracking the wood.

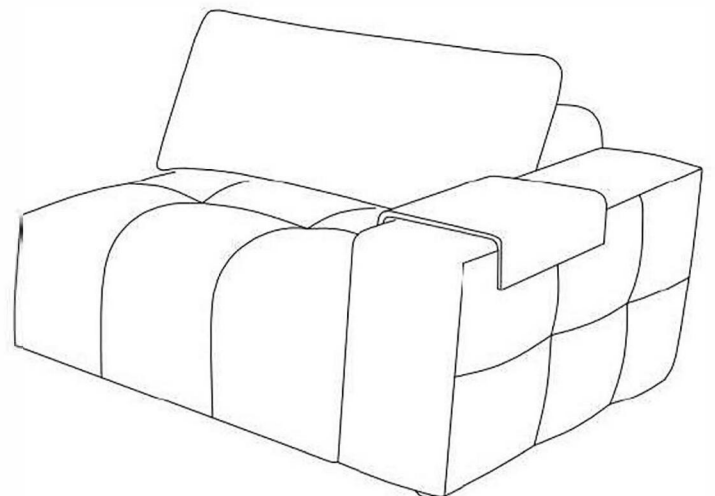
### COMPONENT LIST

NO	DRAWING	DESCRIPTION	QTY
A		RSF CHAIR	1 PC
B		BACK CUSHION	1 PC
C		PLYWOOD ARM TRAY 17.7"x 12.2"x 4.7"	1 PC

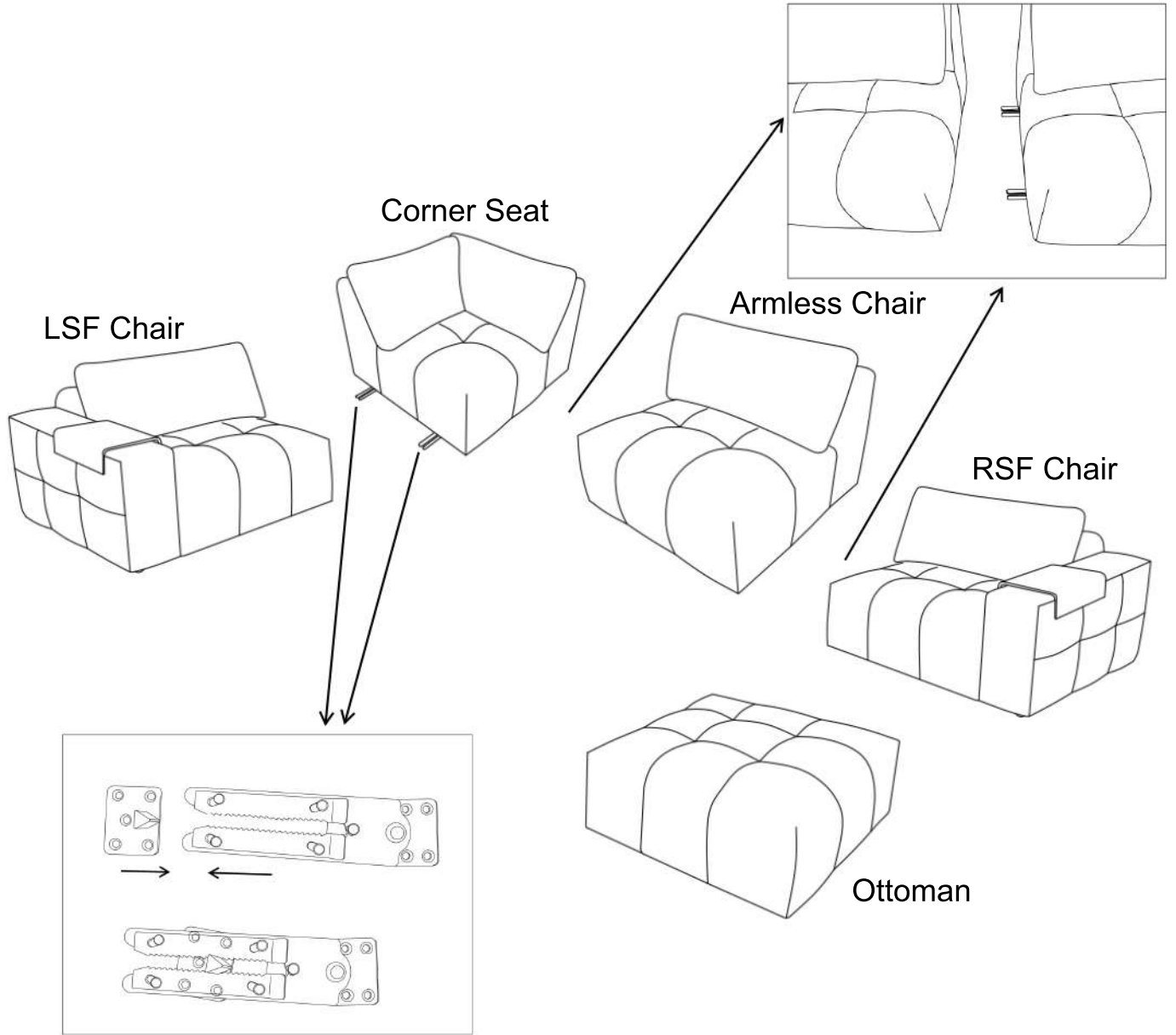
STEP 1:



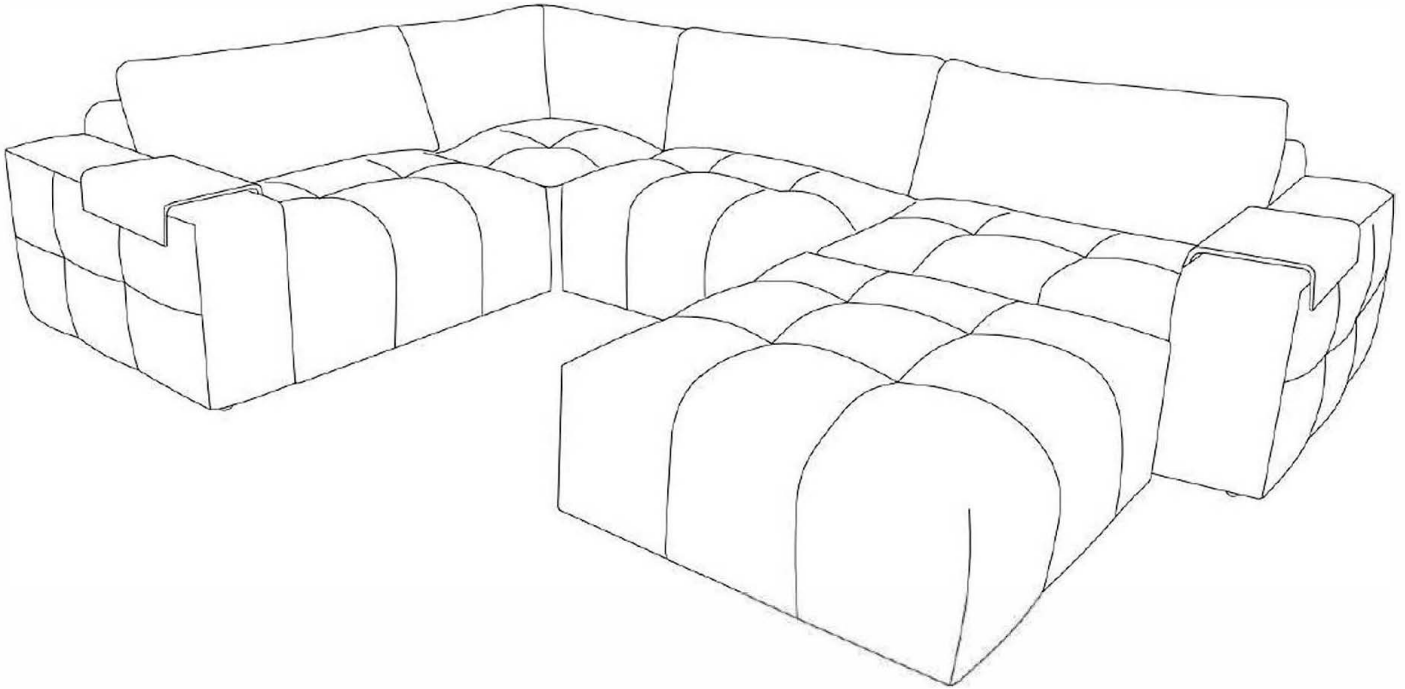
STEP 2: Completed.



STEP 3:



## STEP 4: Sectional Completed.



### Care Instructions for Textured Fabric Furniture:

In order to maintain the original appearance of your textured fabric, please follow below simple care procedures:

- Avoid exposing furniture directly to sunlight or heating and air conditioning outlets. Sunlight and/or exposure to heating and air conditioning outlets will fade/damage textured fabric. Do not place your upholstered furniture too close to windows, radiators, or vent.
- Vacuum or wipe with a soft cloth to remove dust.
- Hardware may loosen over time. Periodically check to make sure all connections are tight. Re-tighten if necessary.



For items use on wooden floor, hard surfaces or carpets, it is recommended to install protective pads under all legs and supports to avoid/prevent from damages/scratches and discoloration.

# ASSEMBLY INSTRUCTIONS

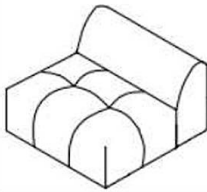

## Armless Chair



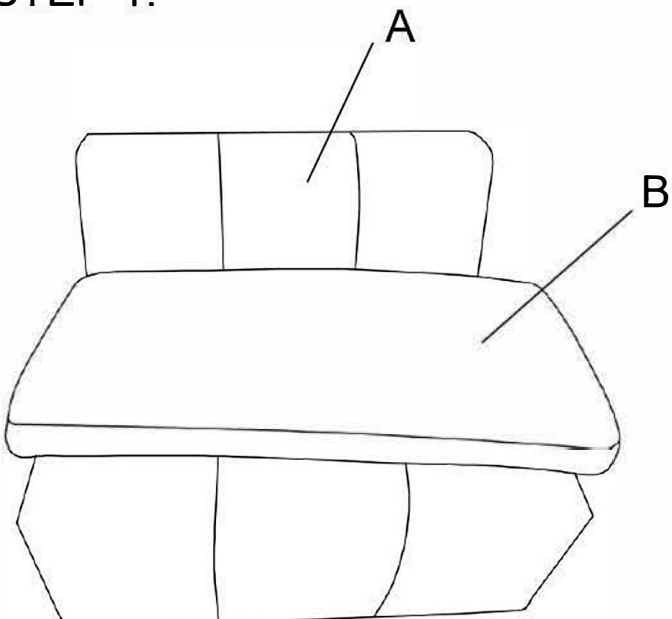
Plastic legs have been pre-installed at the bottom of the chair.

Note: Do not use power tools for assembly. Power tools increase the risk of over tightening which lead to splitting or cracking the wood.

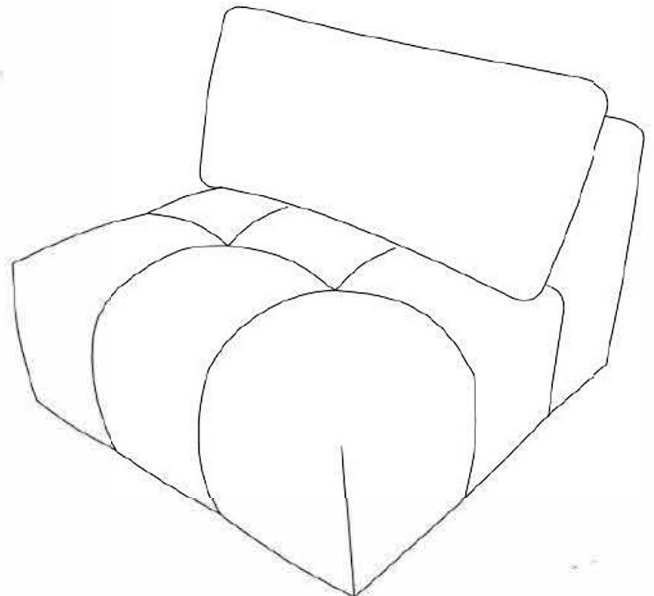
### COMPONENT LIST

NO	DRAWING	DESCRIPTION	QTY
A		CHAIR	1 PC
B		BACK CUSHION	1 PC

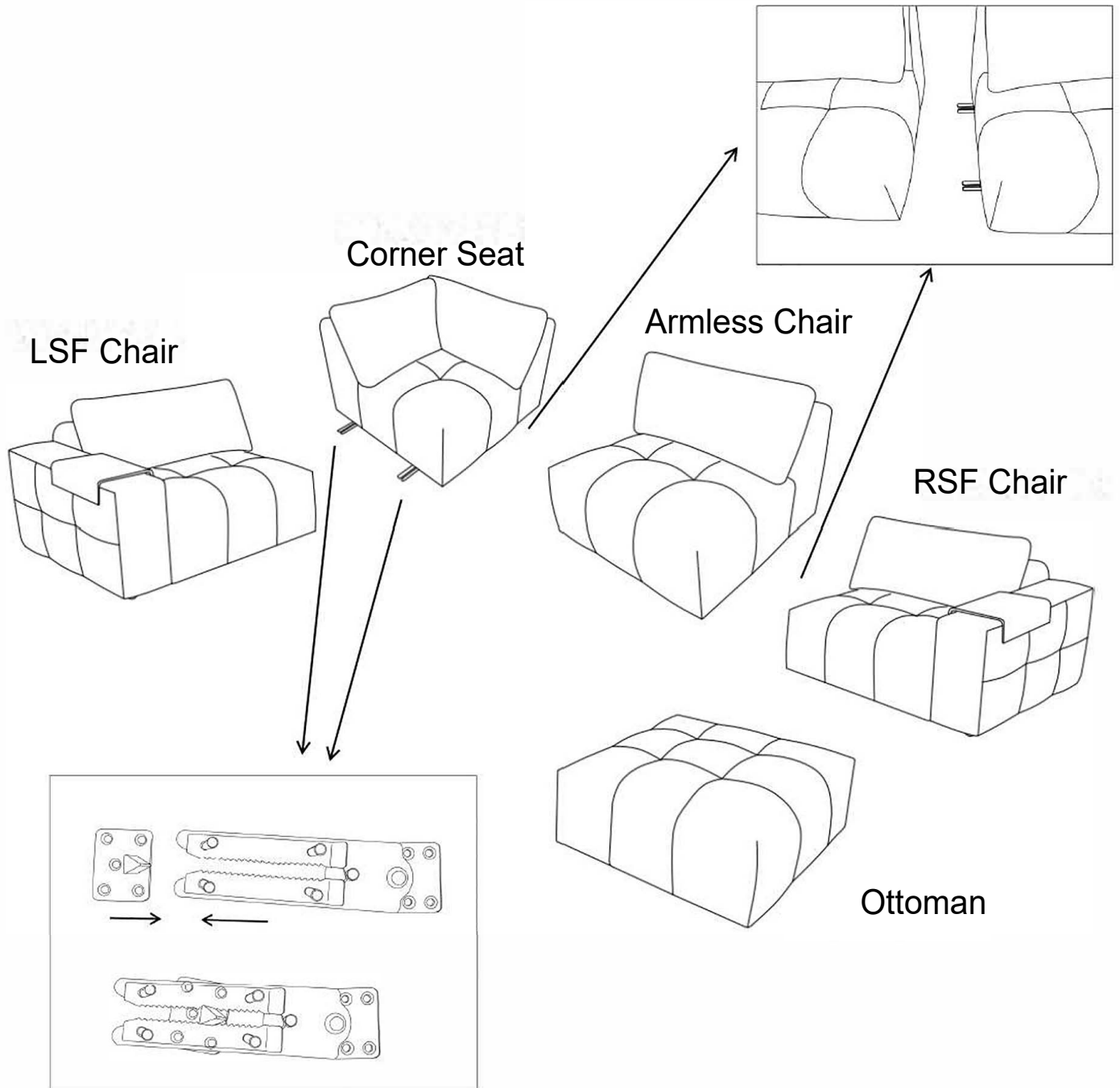
STEP 1:



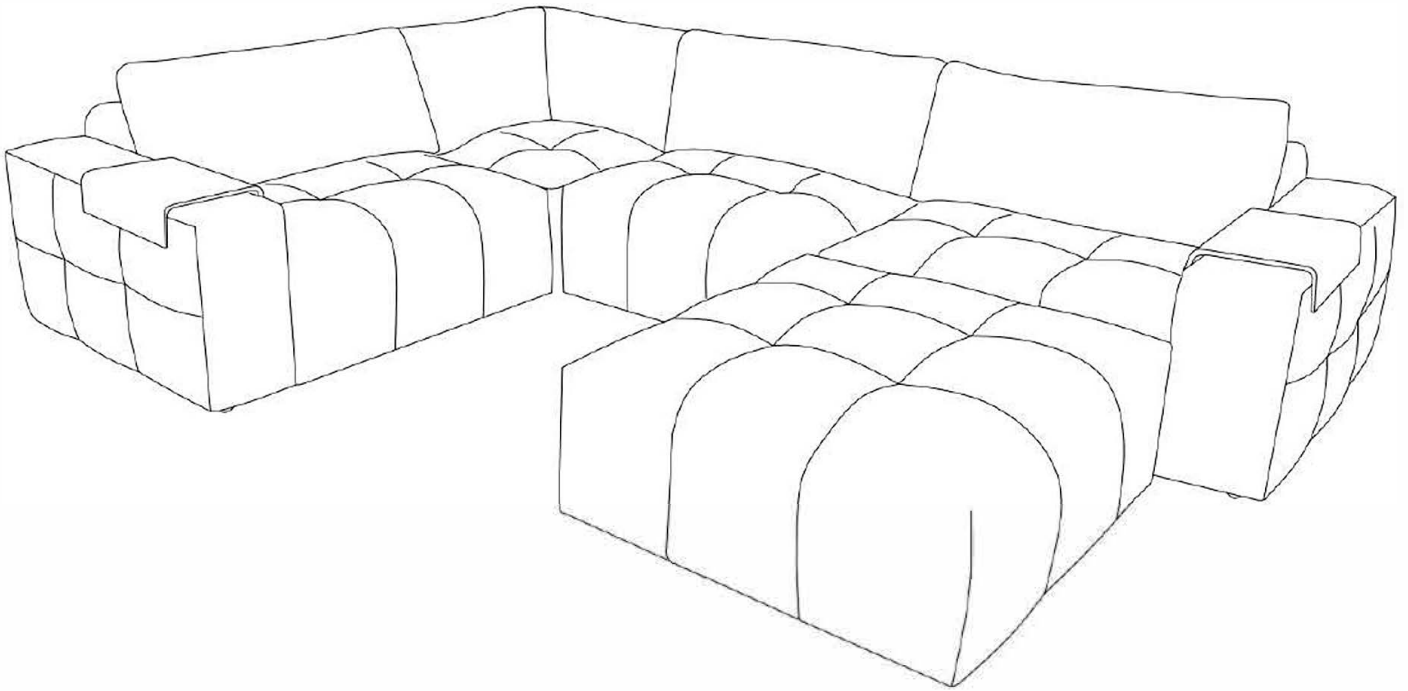
STEP 2: Completed.



STEP 3:



## STEP 4:



### Care Instructions for Textured Fabric Furniture:

In order to maintain the original appearance of your textured fabric, please follow below simple care procedures:

- Avoid exposing furniture directly to sunlight or heating and air conditioning outlets. Sunlight and/or exposure to heating and air conditioning outlets will fade/damage textured fabric. Do not place your upholstered furniture too close to windows, radiators, or vents.
- Vacuum or wipe with a soft cloth to remove dust.
- Hardware may loosen over time. Periodically check to make sure all connections are tight. Re-tighten if necessary.



For items use on wooden floor, hard surfaces or carpets, it is recommended to install protective pads under all legs and supports to avoid/prevent from damages/scratches and discoloration.

# ASSEMBLY INSTRUCTIONS

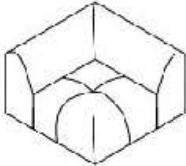


## Corner Seat



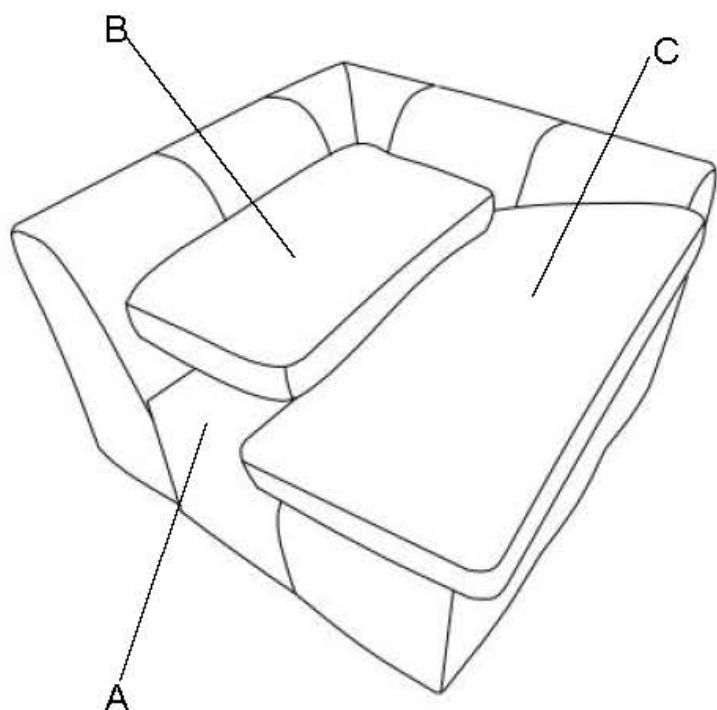
Plastic legs have been pre-installed at the bottom of the chair.

Note: Do not use power tools for assembly. Power tools increase the risk of over tightening which lead to splitting or cracking the wood.

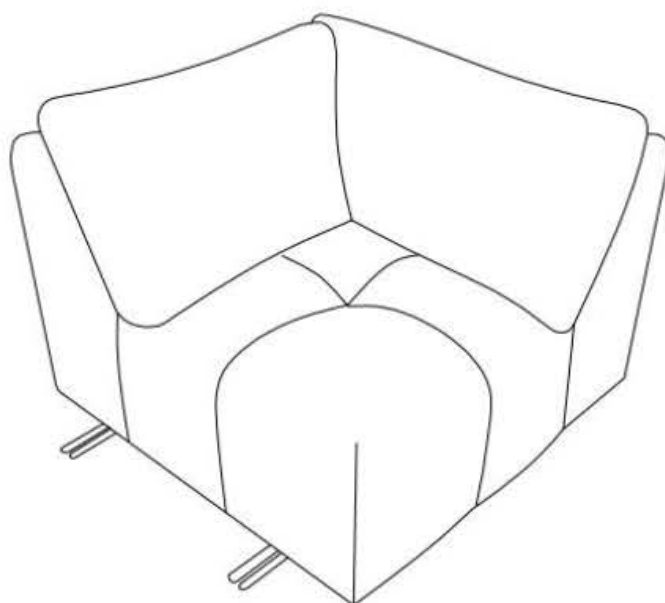
### COMPONENT LIST

NO	DRAWING	DESCRIPTION	QTY
A		CORNER SEAT	1 PC
B		LSF BACK CUSHION	1 PC
C		RSF BACK CUSHION	1 PC

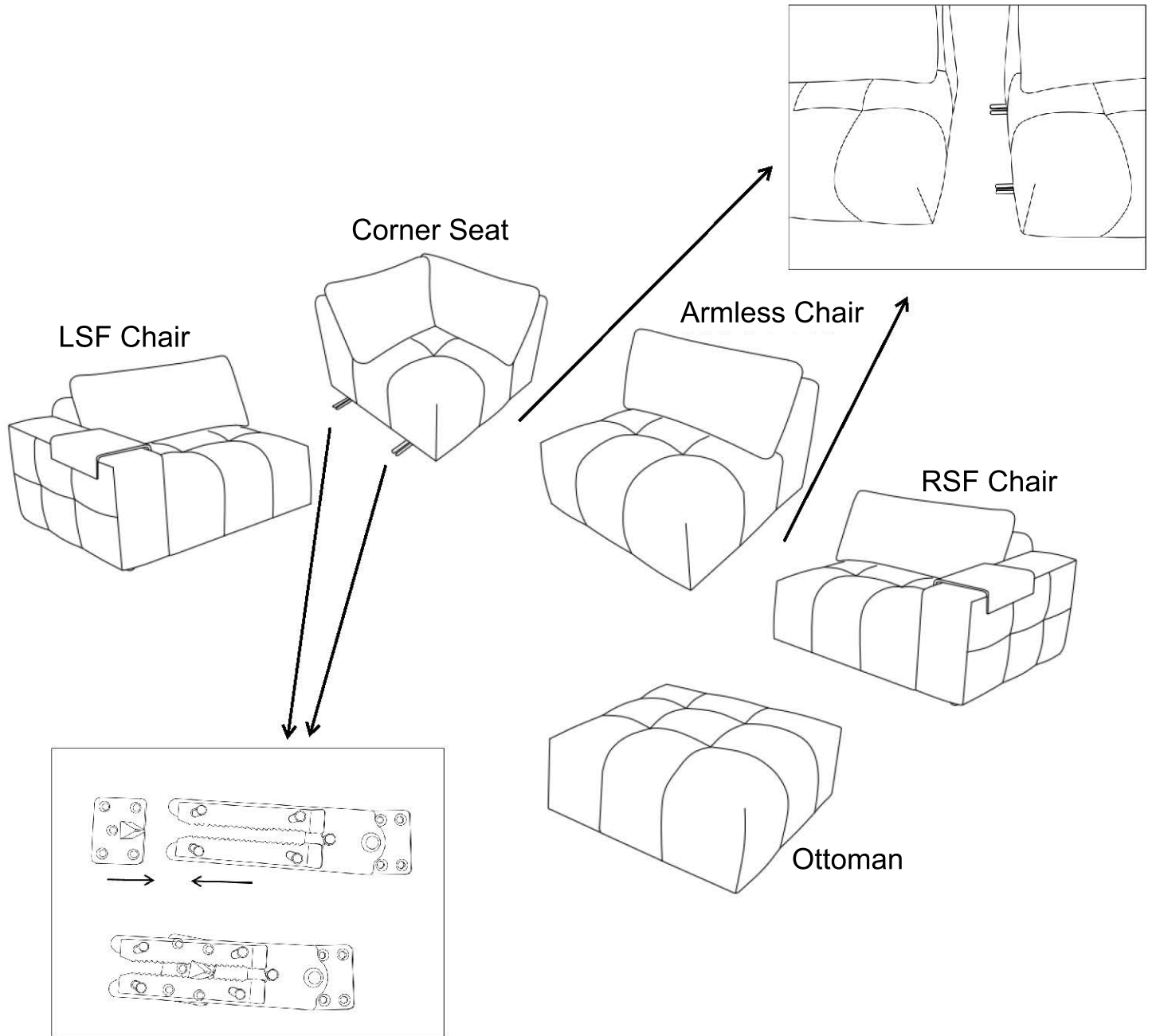
#### STEP 1:



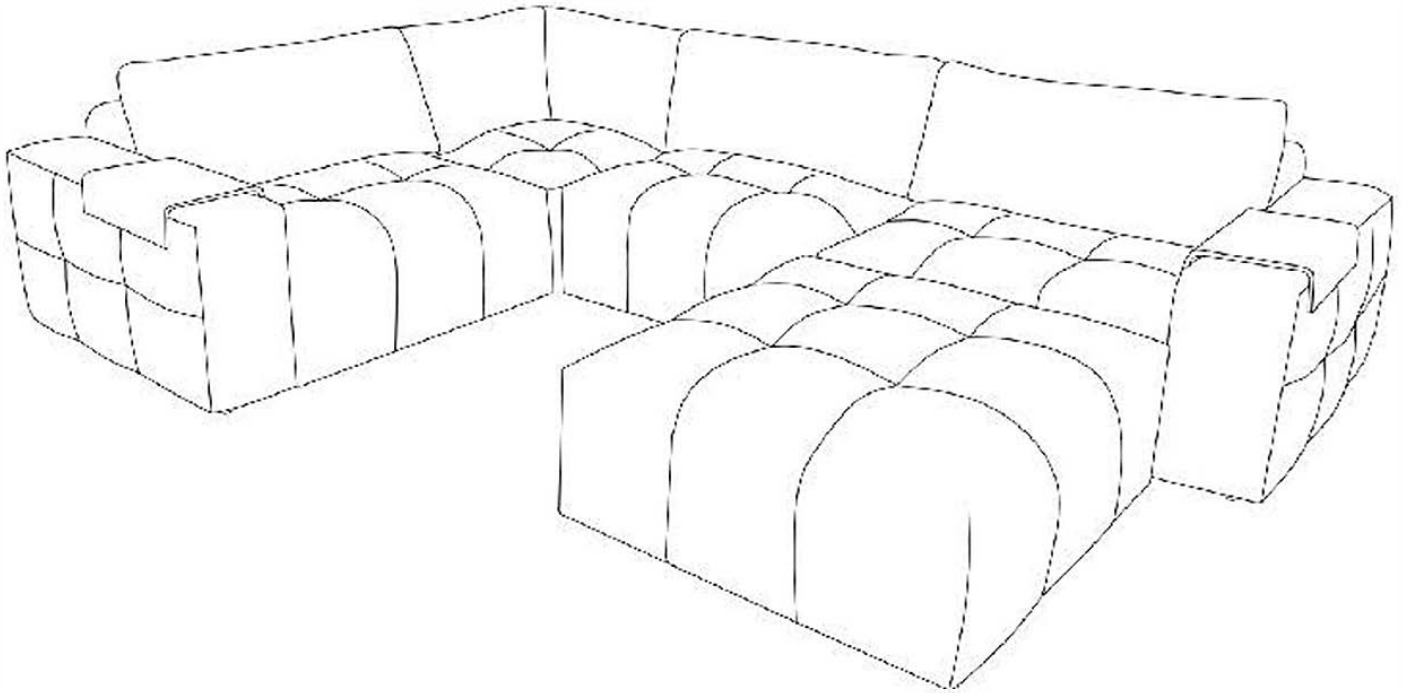
#### STEP 2: Completed.



STEP 3:



## STEP 4:



### Care Instructions for Textured Fabric Furniture:

In order to maintain the original appearance of your textured fabric, please follow below simple care procedures:

- Avoid exposing furniture directly to sunlight or heating and air conditioning outlets. Sunlight and/or exposure to heating and air conditioning outlets will fade/damage textured fabric. Do not place your upholstered furniture too close to windows, radiators, or vents.
- Vacuum or wipe with a soft cloth to remove dust.
- Hardware may loosen over time. Periodically check to make sure all connections are tight. Re-tighten if necessary.



For items use on wooden floor, hard surfaces or carpets, it is recommended to install protective pads under all legs and supports to avoid/prevent from damages/scratches and discoloration.

# ASSEMBLY INSTRUCTIONS

## Ottoman with Caster



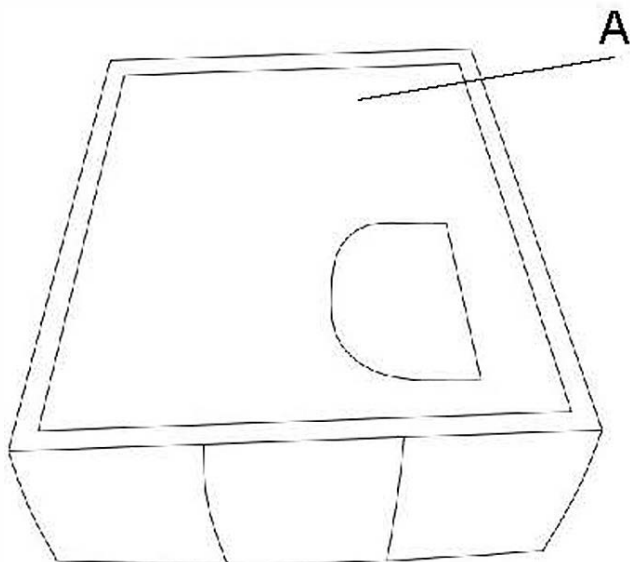
Casters and hardware are stored at the bottom of the ottoman, please unzip the bottom seat cover and take out for assembly.

Note: Do not use power tools for assembly. Power tools increase the risk of over tightening which lead to splitting or cracking the wood.

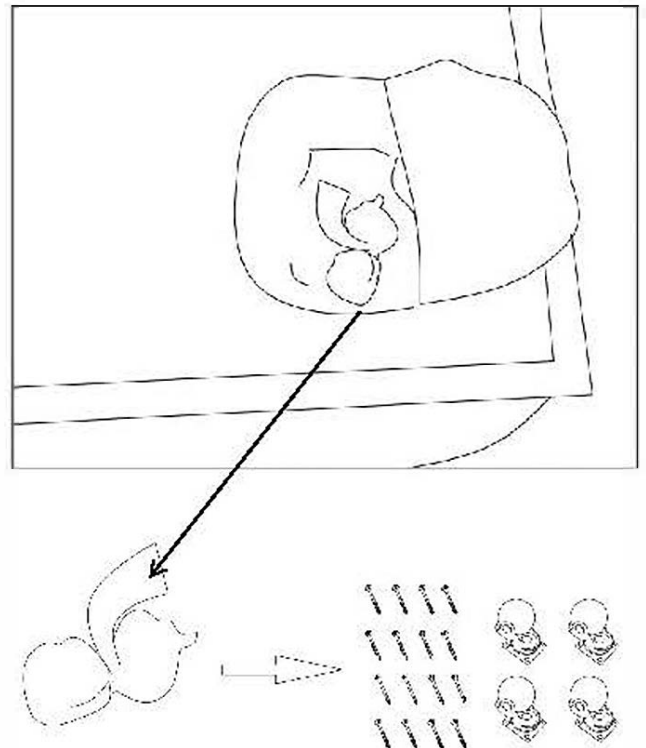
### COMPONENT LIST

NO	DRAWING	DESCRIPTION	QTY
A		OTTOMAN	1 PC
B		CASTER	4 PCS
C		SCREW $\varnothing 1/4"$ x $3/4"$ L	16 PCS

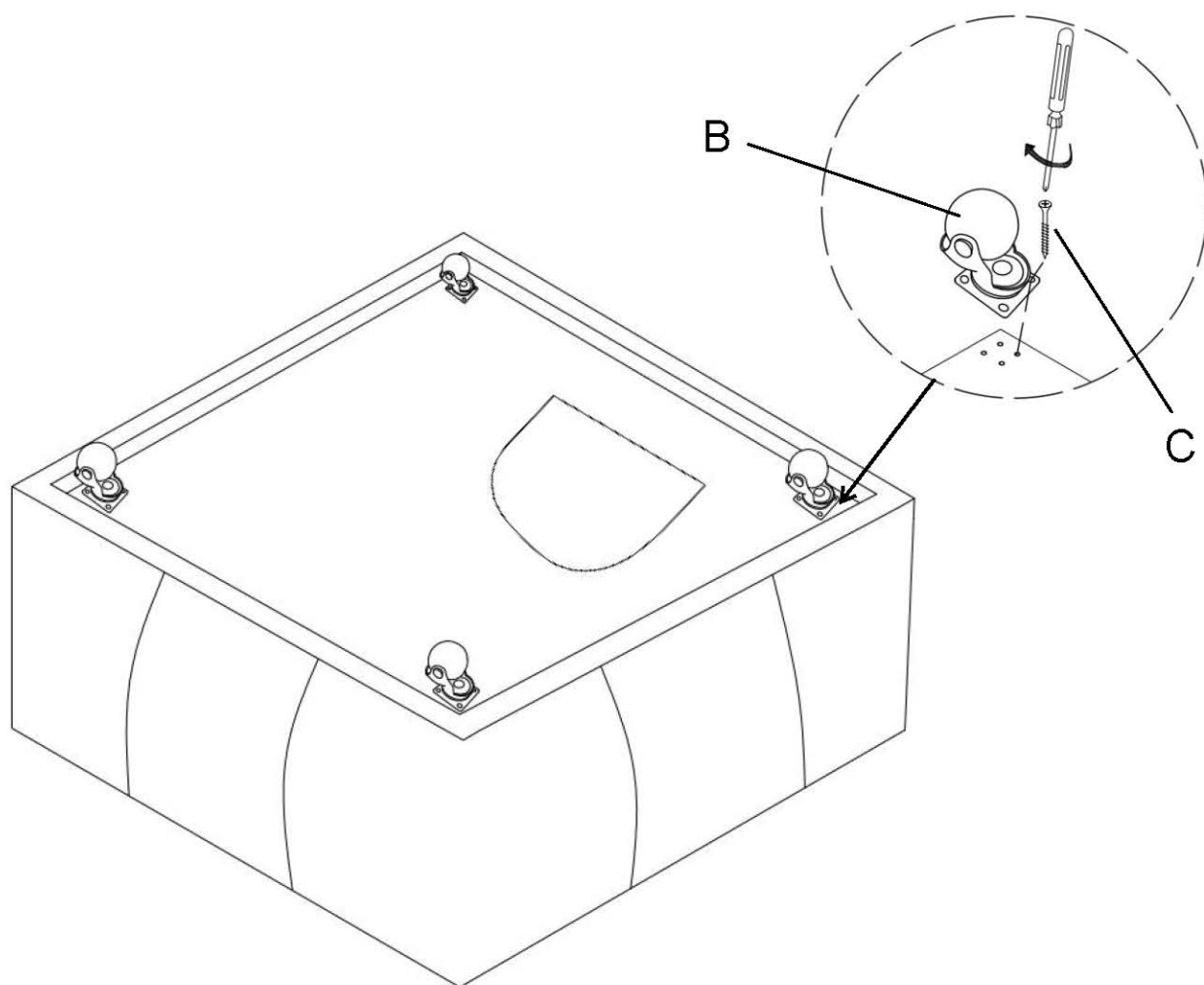
#### STEP 1:



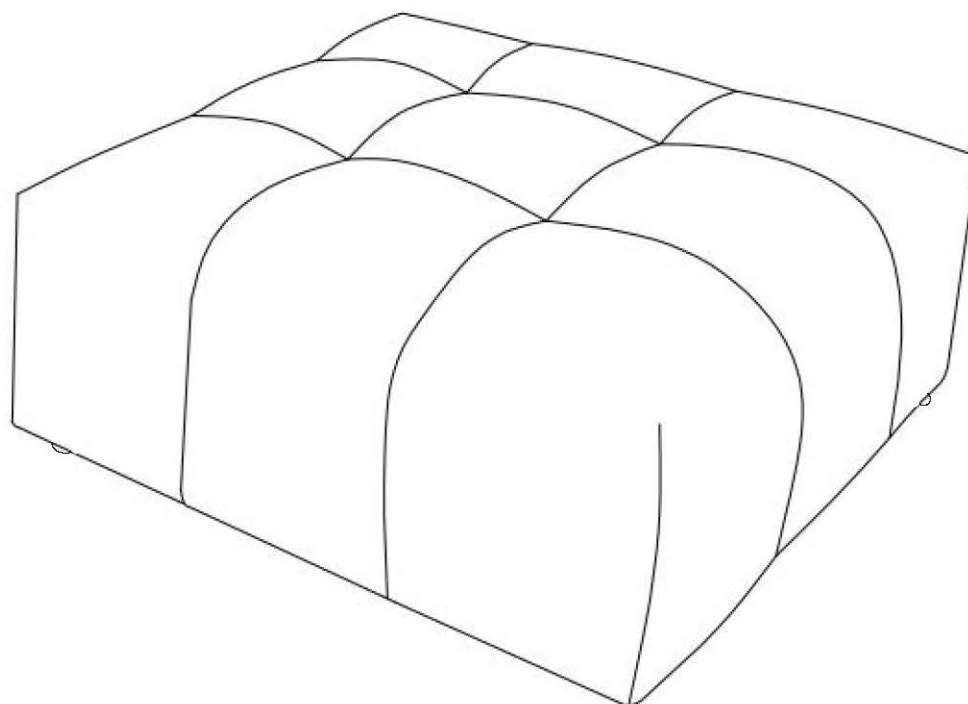
#### STEP 2:



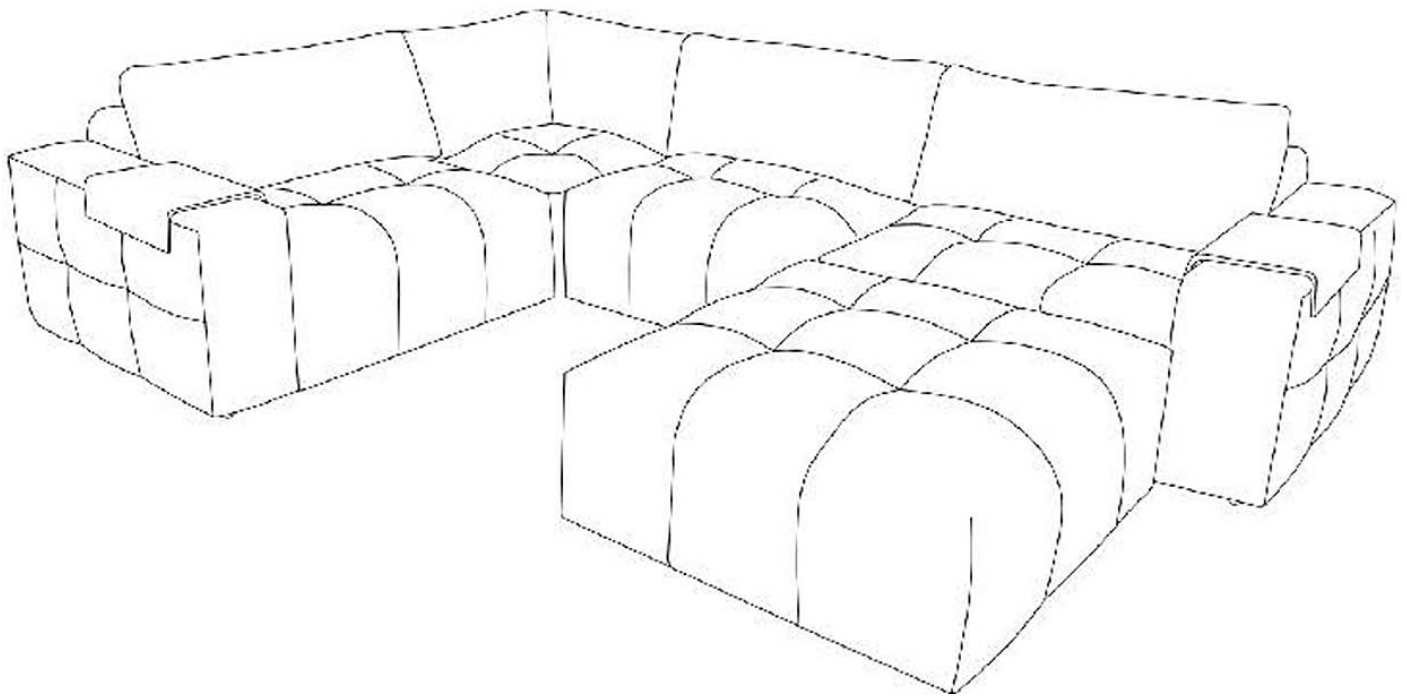
STEP 3:



STEP 4: Completed.



## STEP 5:



### Care Instructions for Textured Fabric Furniture:

In order to maintain the original appearance of your textured fabric, please follow below simple care procedures:

- Avoid exposing furniture directly to sunlight or heating and air conditioning outlets. Sunlight and/or exposure to heating and air conditioning outlets will fade/damage textured fabric. Do not place your upholstered furniture too close to windows, radiators, or vents.
- Vacuum or wipe with a soft cloth to remove dust.
- Hardware may loosen over time. Periodically check to make sure all connections are tight. Re-tighten if necessary.



For items use on wooden floor, hard surfaces or carpets, it is recommended to install protective pads under all legs and supports to avoid/prevent from damages/scratches and discoloration.