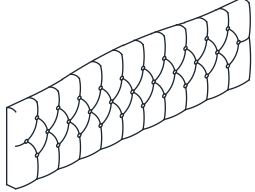
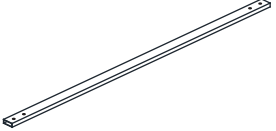
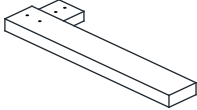
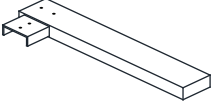
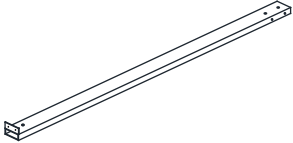
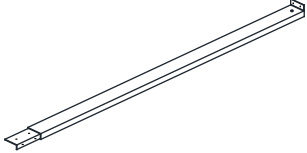
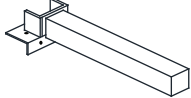
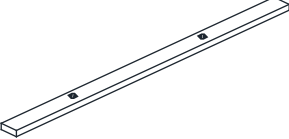

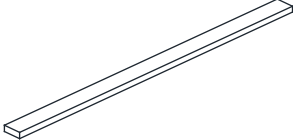
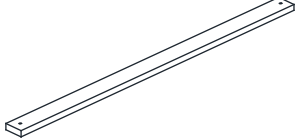
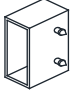
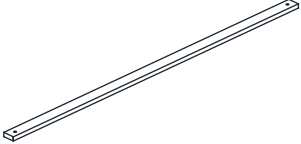
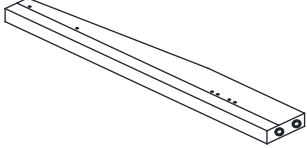
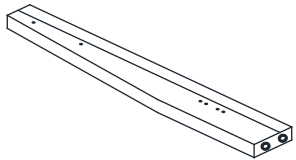
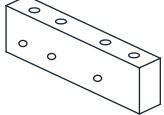
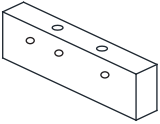





ASSEMBLY INSTRUCTION

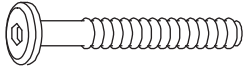

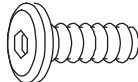
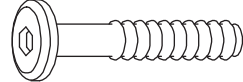
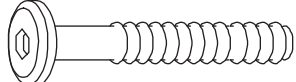







PARTLIST

<p>1</p>  <p>HEADBOARD CUSHION x1</p>	<p>2</p>  <p>FOOTBOARD METAL TUBE x1</p>	<p>3</p>  <p>FOOTBOARD LEG (R) x1</p>	<p>4</p>  <p>FOOTBOARD LEG (L) x1</p>
<p>5</p>  <p>SIDE RAIL x2</p>	<p>6</p>  <p>SIDE RAIL x2</p>	<p>7</p>  <p>SIDE RAIL LEG x2</p>	<p>8</p>  <p>SLAT WITH NUT x4</p>
<p>9</p>  <p>SUPPORT LEG WITH HANGER BOLT x8</p>	<p>10</p>  <p>SLAT x8</p>	<p>11</p>  <p>CENTER SUPPORT x4</p>	<p>12</p>  <p>SOCKET x24</p>
<p>13</p>  <p>SUPPORT RAIL x2</p>	<p>14</p>  <p>WING (R) x1</p>	<p>15</p>  <p>WING (L) x1</p>	<p>16</p>  <p>WING SUPPORT (R) x1</p>
<p>17</p>  <p>WING SUPPORT (L) x1</p>	<p>18</p>  <p>SIDE RAIL COVER x2</p>	<p>19</p>  <p>FOOTBOARD COVER x1</p>	<p>24</p>  <p>VELCRO TAPE x1</p>

*All parts needed are shown in above picture.
Numbers only indicate the specific parts for easy assembly.

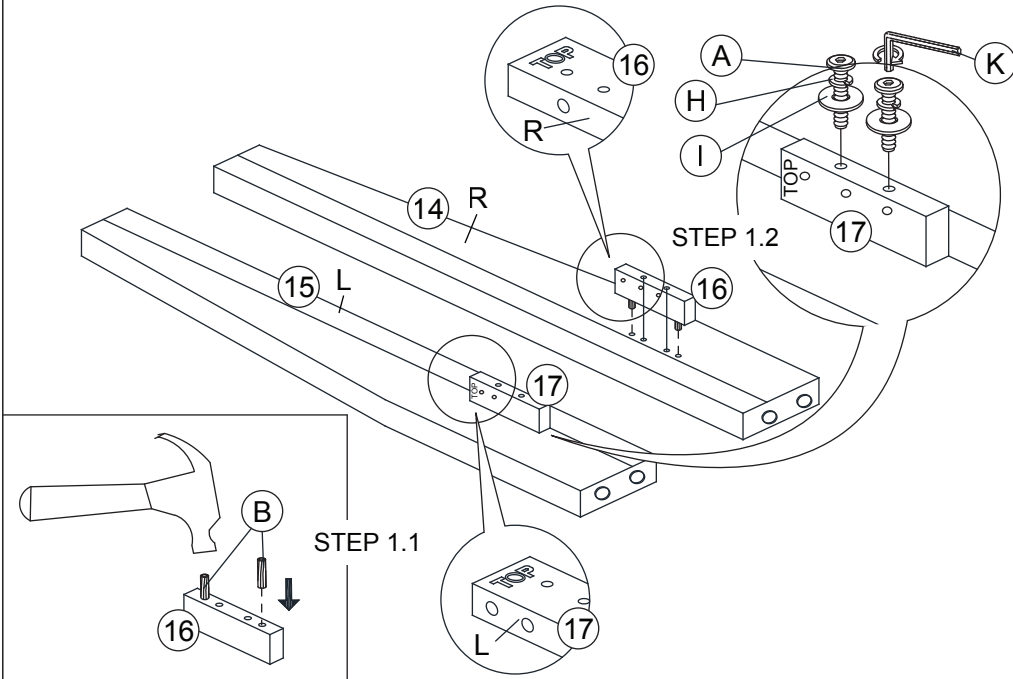
ASSEMBLY INSTRUCTION

HARDWARE

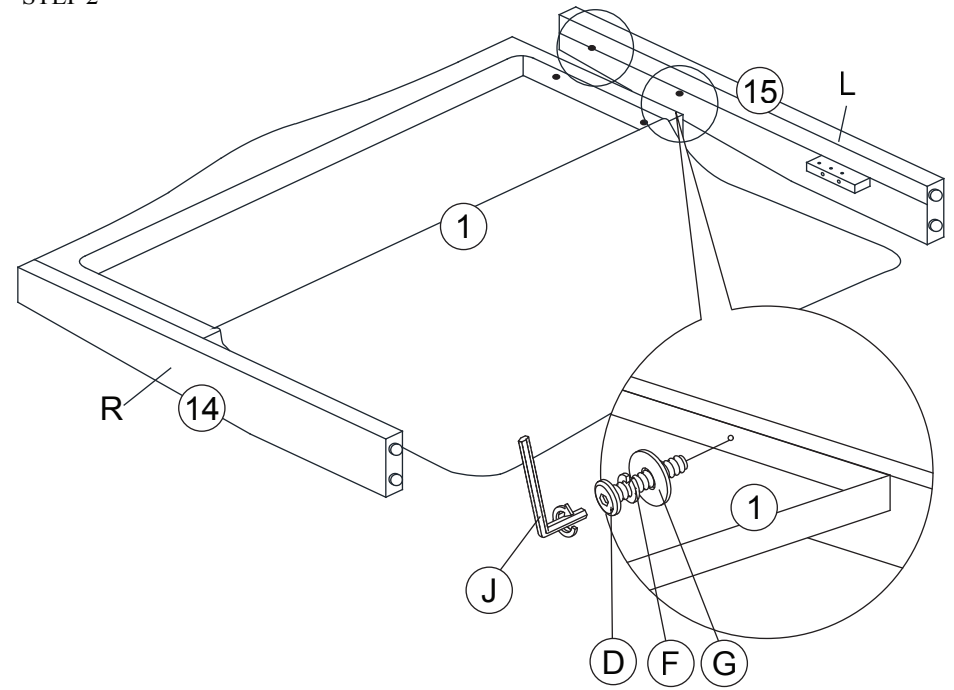
<p>A</p>  <p>JCBB SCREW M8 x 70MM</p> <p>x4</p>	<p>B</p>  <p>WOOD DOWEL M10 x 30MM</p> <p>x4</p>	<p>C</p>  <p>JCBC SCREW M6 x 15MM</p> <p>x20</p>	<p>D</p>  <p>JCBC SCREW M6 x 35MM</p> <p>x8</p>	<p>E</p>  <p>JCBC SCREW M6 x 50MM</p> <p>x2</p>
<p>F</p>  <p>SPRING WASHER M6 x 12MM</p> <p>x10</p>	<p>G</p>  <p>FLAT WASHER M6 x 19MM</p> <p>x10</p>	<p>H</p>  <p>SPRING WASHER M8 x 13MM</p> <p>x4</p>	<p>I</p>  <p>FLAT WASHER M8 x 22MM</p> <p>x4</p>	<p>J</p>  <p>L - KEY M4 x 100MM</p> <p>x1</p>
<p>K</p>  <p>L - KEY M5 x 65MM</p> <p>x1</p>	<p>L</p>  <p>SUPPORT LEG ADJUSTABLE FEET</p> <p>x8</p>			

ASSEMBLY INSTRUCTION

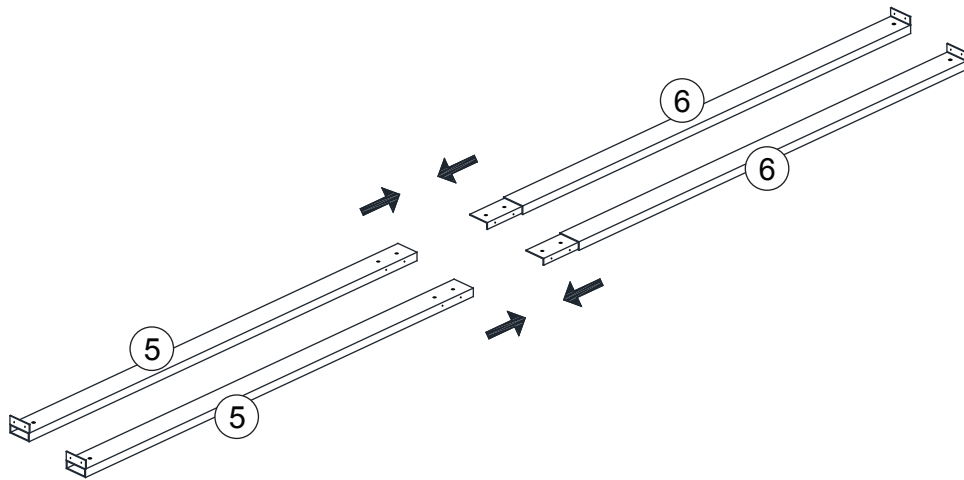
STEP 1



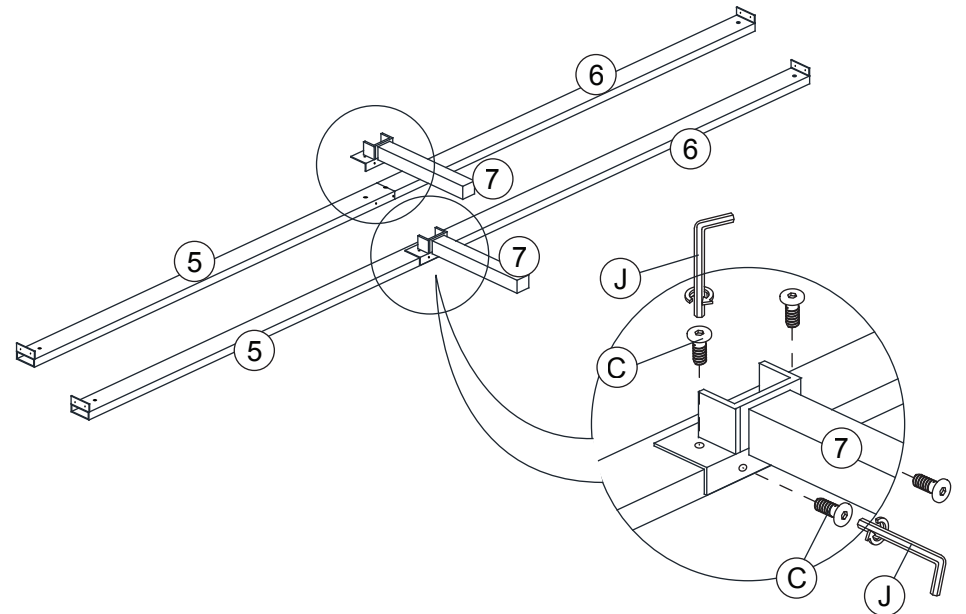
STEP 2



STEP 3

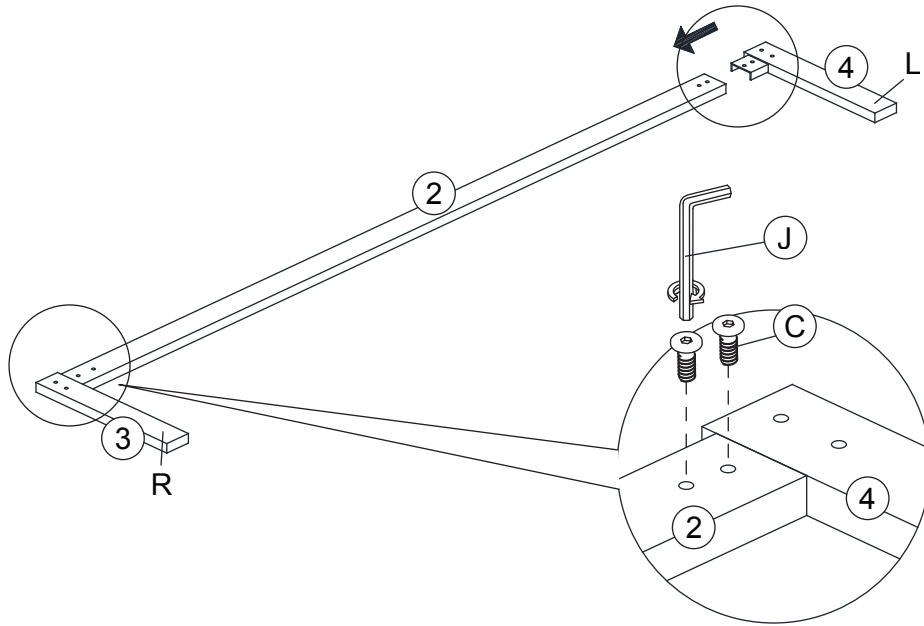


STEP 4

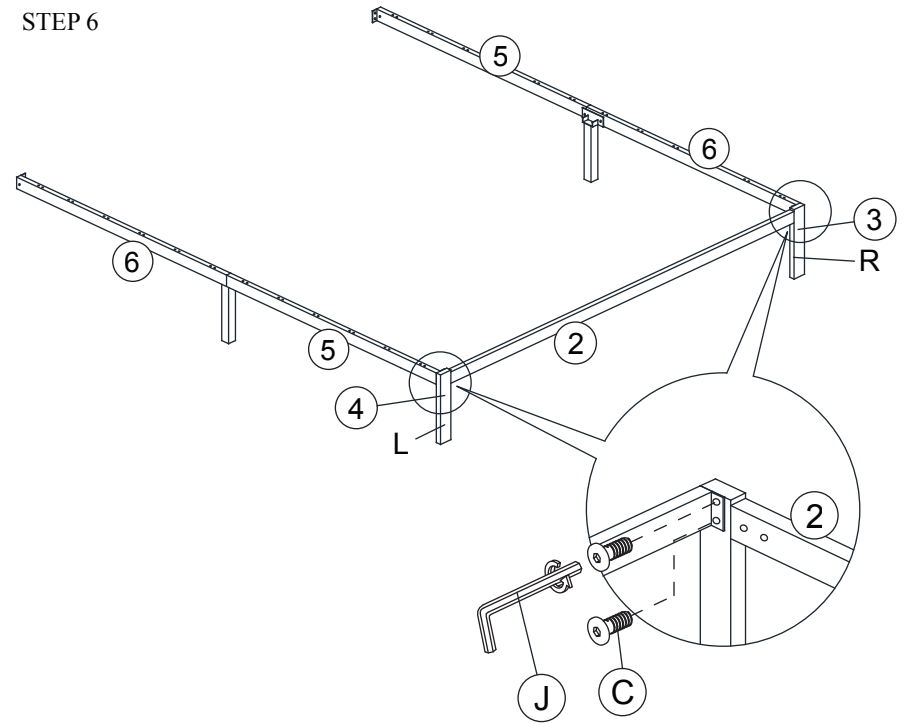


ASSEMBLY INSTRUCTION

STEP 5

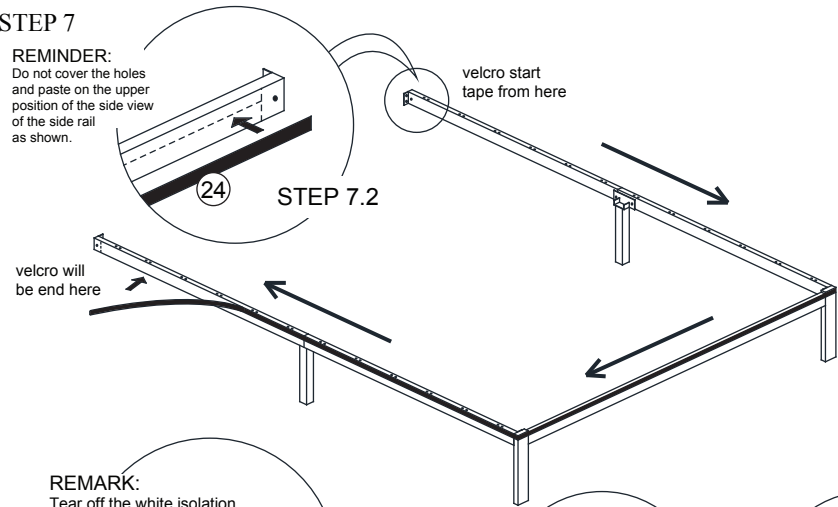


STEP 6



STEP 7

REMINDER:
Do not cover the holes and paste on the upper position of the side view of the side rail as shown.



STEP 7.2

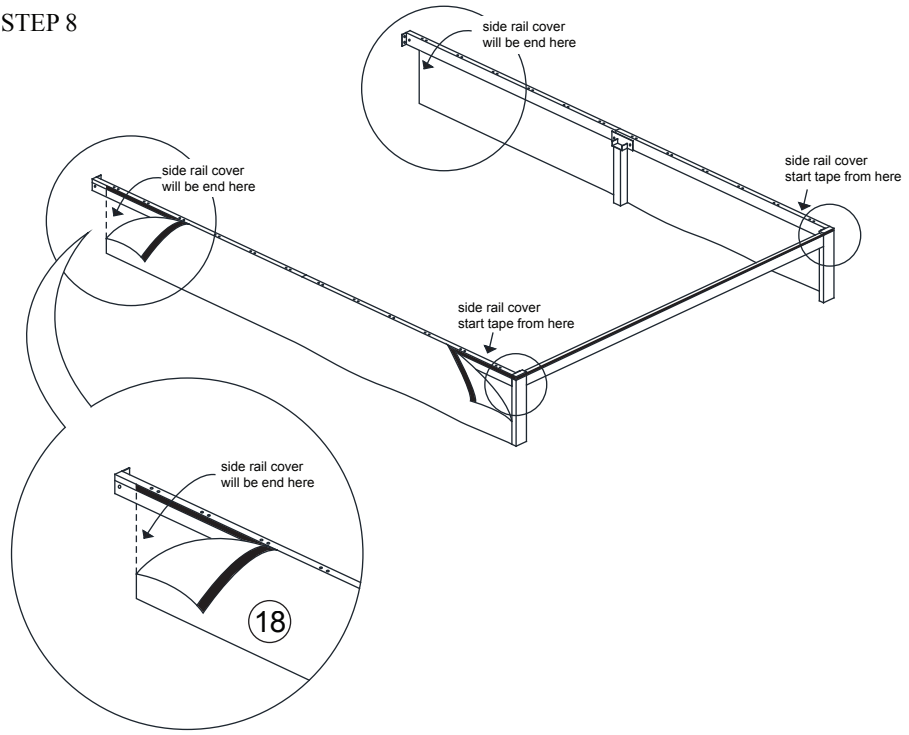
STEP 7.1

REMARK:
Tear off the white isolation paper on the back of velcro hook

STEP 7.3

REMARK:
Cut off the exceeded tape

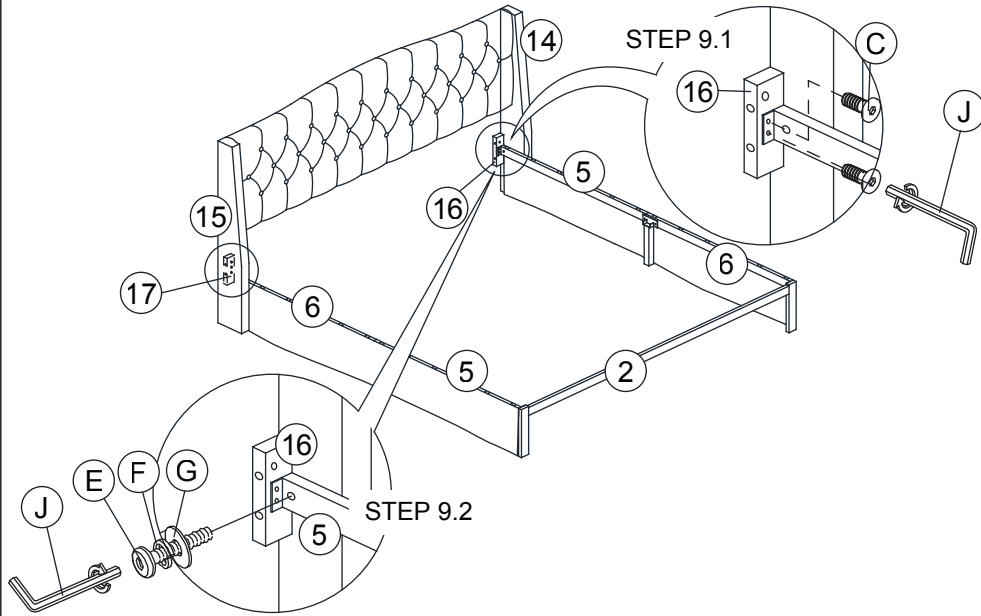
STEP 8



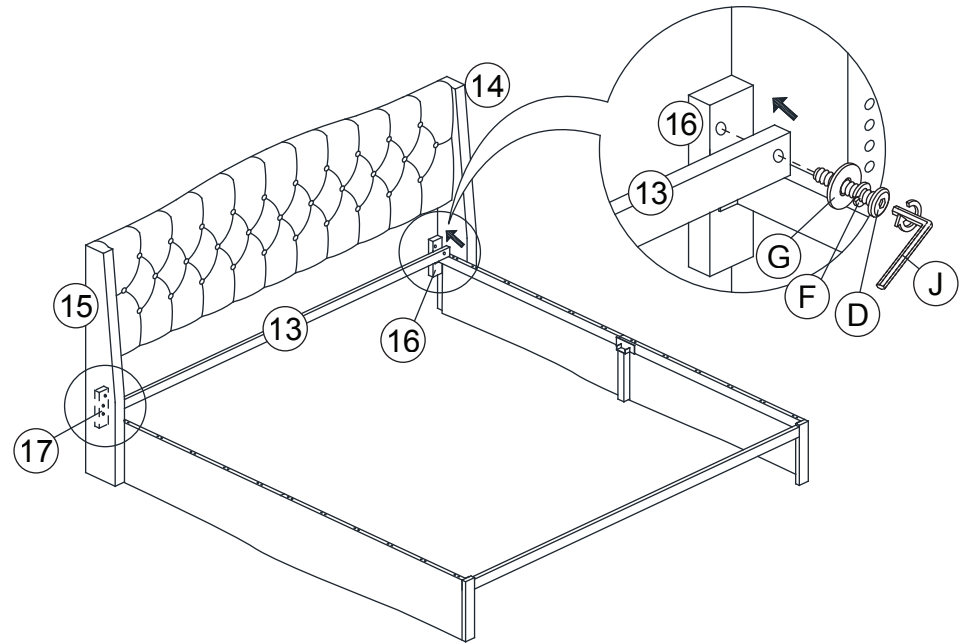
18

ASSEMBLY INSTRUCTION

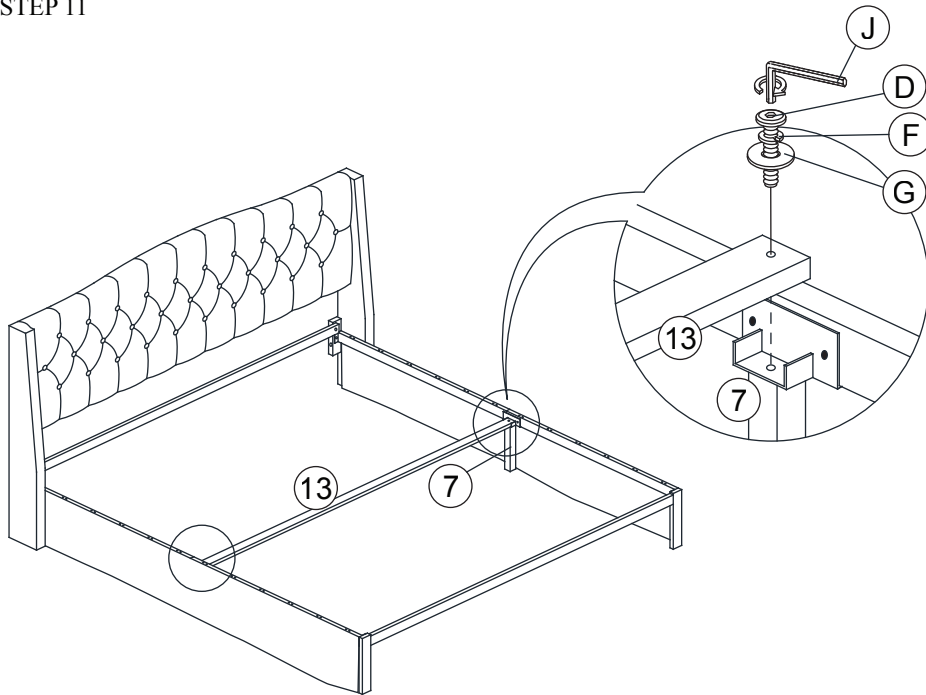
STEP 9



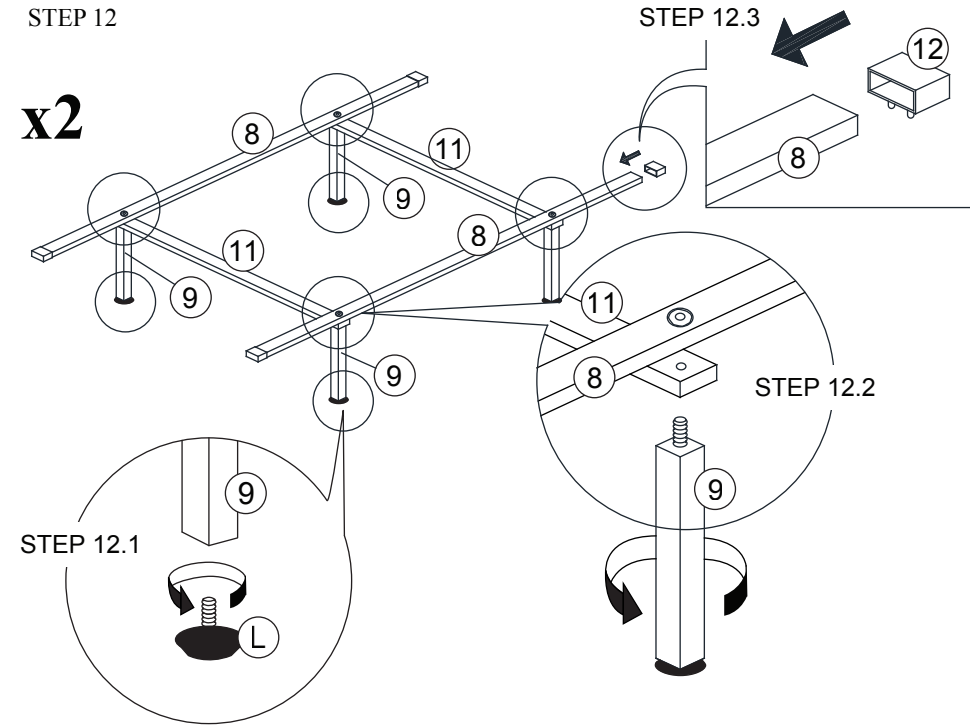
STEP 10



STEP 11

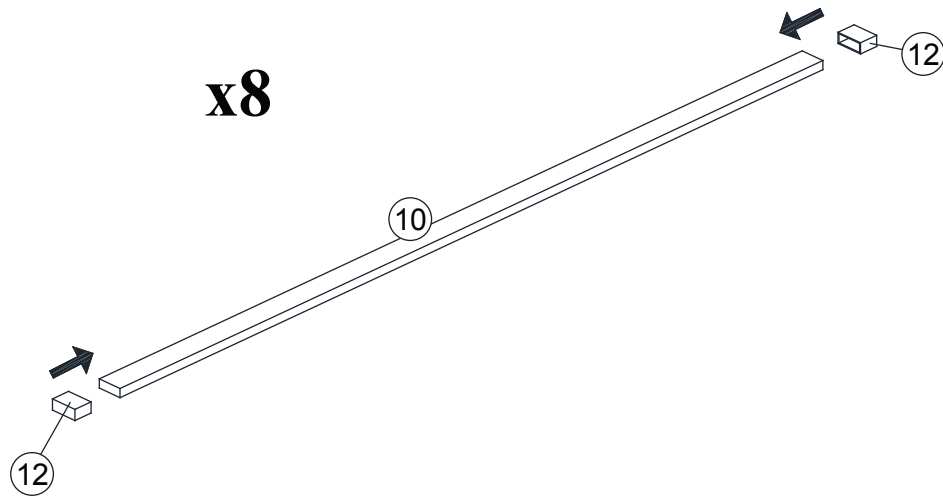


STEP 12

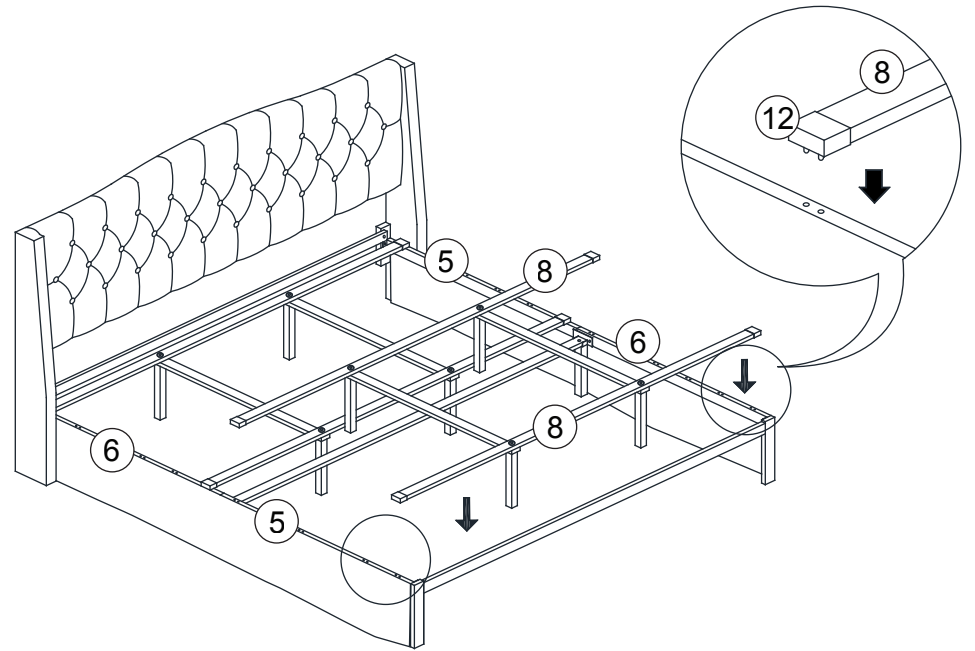


ASSEMBLY INSTRUCTION

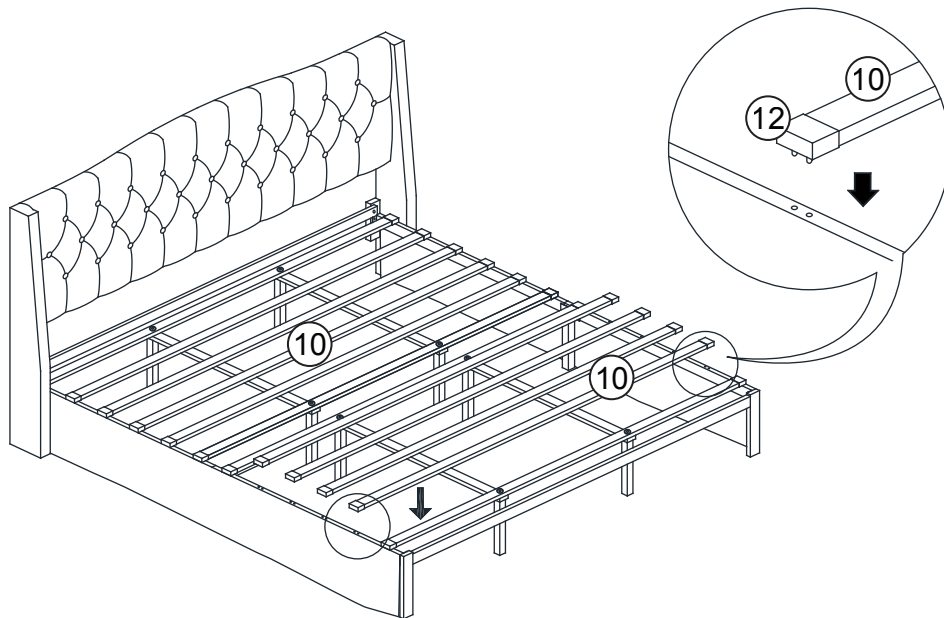
STEP 13



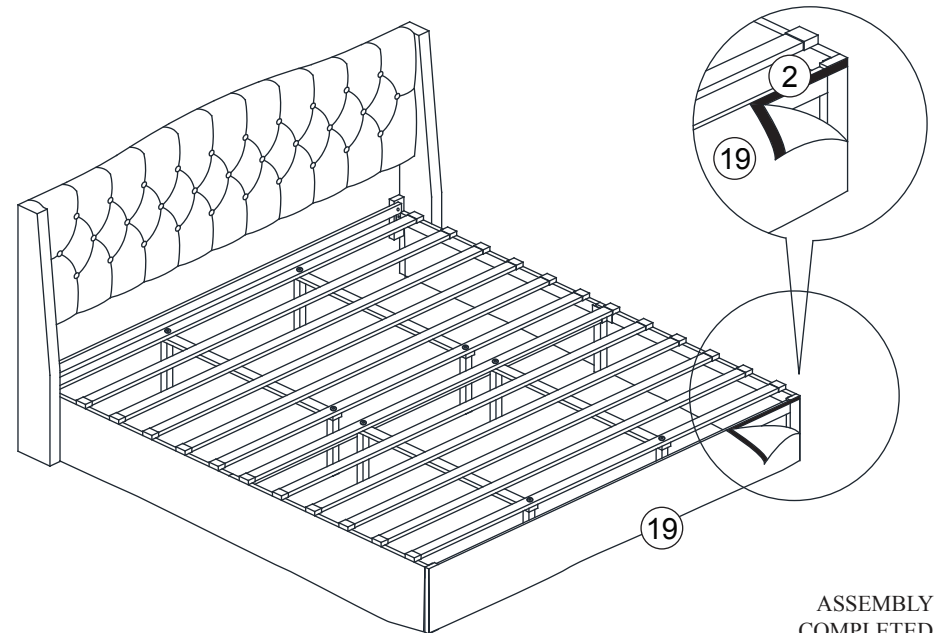
STEP 13



STEP 14



STEP 14



ASSEMBLY
COMPLETED