



12V/120V Composite In Ground Well Light - PGC3B

DESCRIPTION

Material: ABS Composite Fixture Body
 Voltage: 12V / 120V
 Socket Type: Adjustable JC Bi-Pin Socket
 Bulb Type: MR11 / MR16 / Bi-Pin Cluster
 Power Rating: 35w Max
 Mounting: Below Grade / In-Ground
 Cover Options: Open / Grill / Angle Shield / Eyebrow/
 Tri-, Bi-, and Mono-Directional
 Fixture Weight: 3.75 lbs.



COVER AND FINISH OPTIONS



SATIN NICKEL GRILL



BLACK TRI-DIRECTIONAL



BLACK BI-DIRECTIONAL



BRONZE EYEBROW

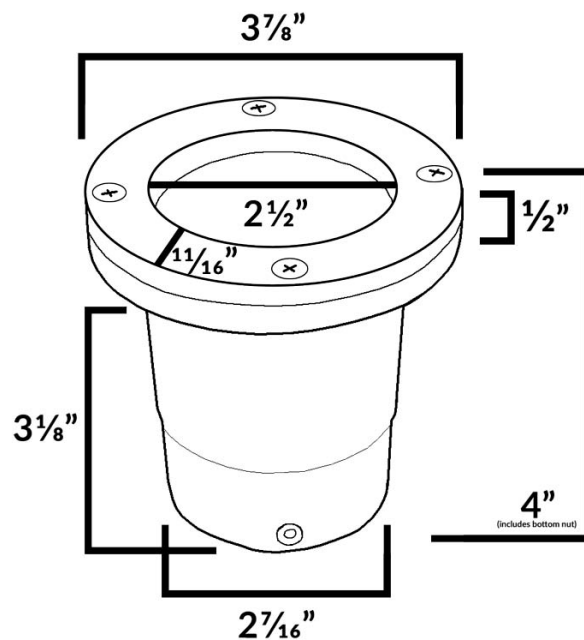


RAW BRASS ANGLE SHIELD



BLACK MONO-DIRECTIONAL

DIMENSIONS



ORDERING INFORMATION

PGC3B	FINISH	COVER	BULB
SN	SATIN NICKEL	OP	OPEN
BLK	BLACK	GR	GRILL
BRZ	BRONZE	TRI	TRI-DIRECTIONAL
RBS	RAW BRASS	EB	EYEBROW
		AS	ANGLE SHIELD*
		BI	BI-DIRECTIONAL
		MO	MONO-DIRECTIONAL
		WWWS	12V 3.6W WARM WHITE WIDE SPOT MR16 30 DEGREE
		CWWS	12V 3.6W COOL WHITE WIDE SPOT MR16 30 DEGREE
		WWWF	12V 3.6W WARM WHITE WIDE FLOOD MR16 60 DEGREE
		CWWF	12V 3.6W COOL WHITE WIDE FLOOD MR16 60 DEGREE

PGC3B-____-____-____

Fixture Type: _____

Job Name: _____

Notes: _____

* ANGLE SHIELD COVER ONLY AVAILABLE IN RAW BRASS FINISH