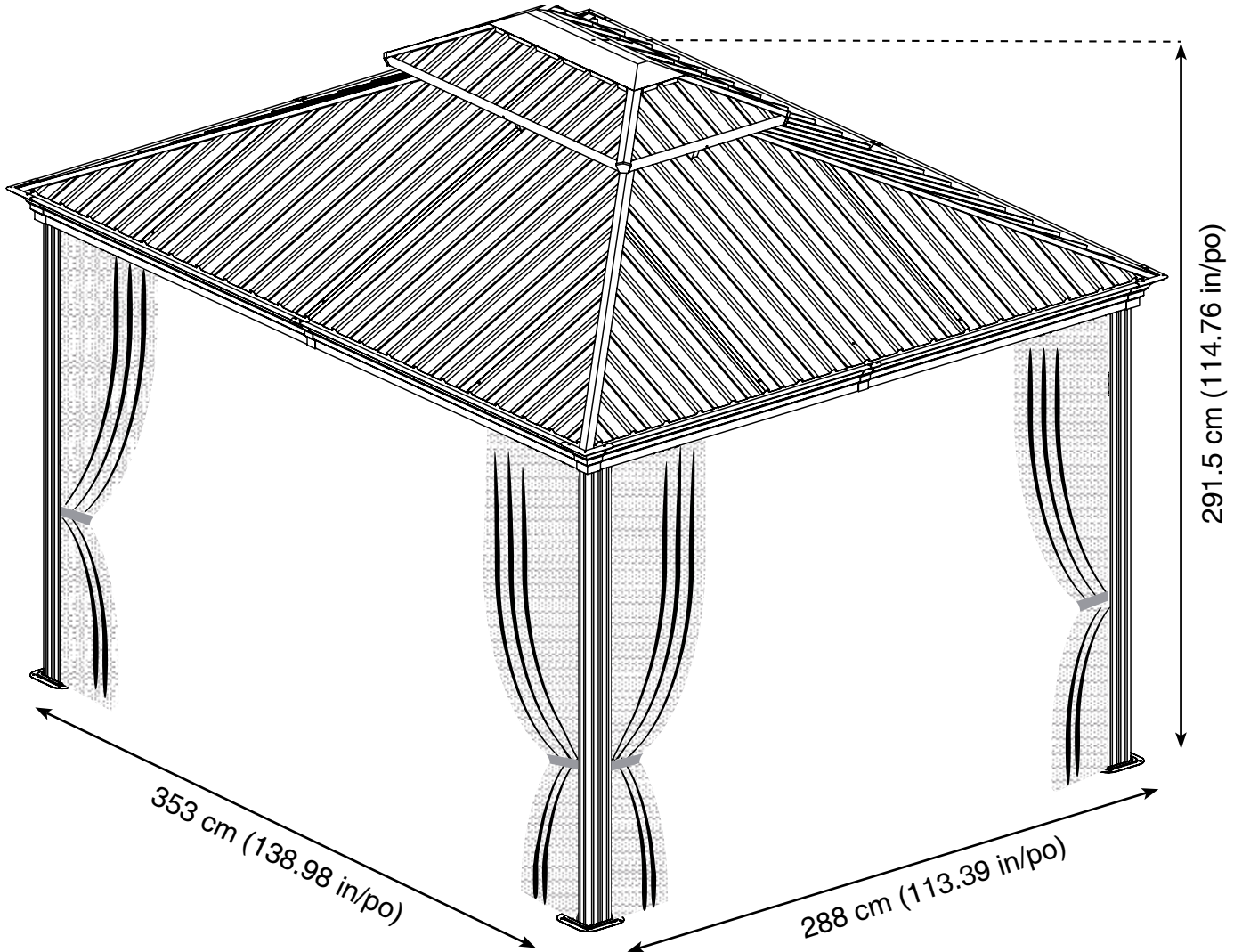
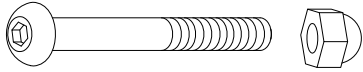


HARDTOP GAZEBO-TA58-10x12ft

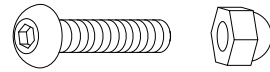
XDPC11



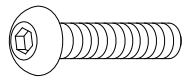
S X 12 (+2)



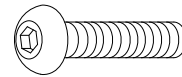
T X 64 (+7)



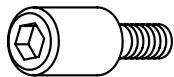
U X 21 (+2)



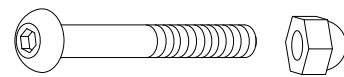
V X 220 (+10)



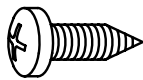
X X 16 (+2)



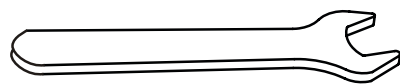
X1 X 8 (+2)



Y X 24 (+5)



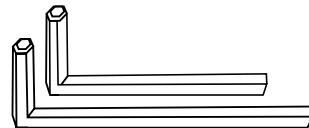
W2 X 1

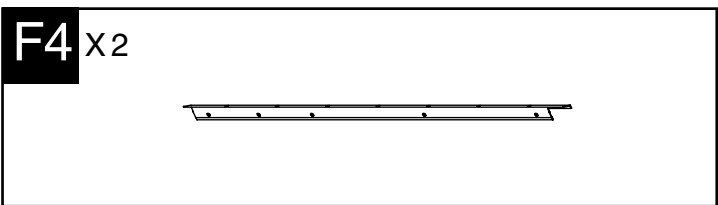
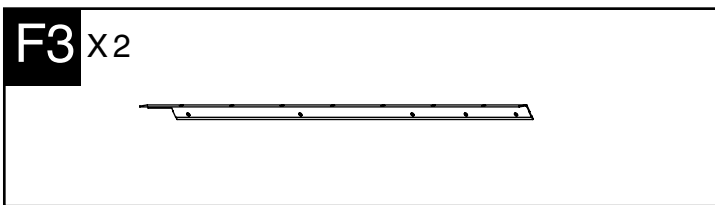
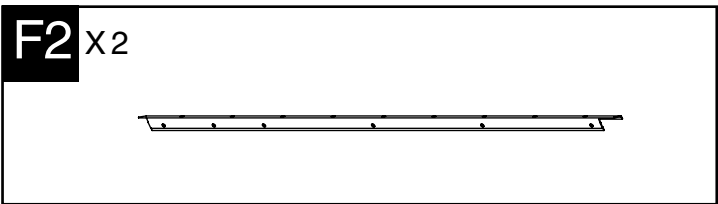
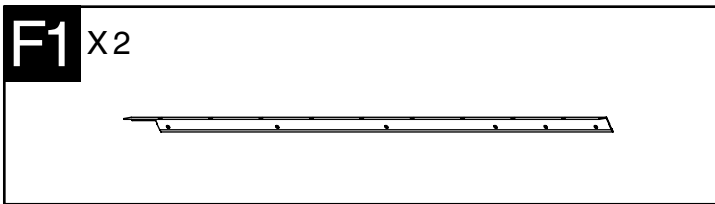
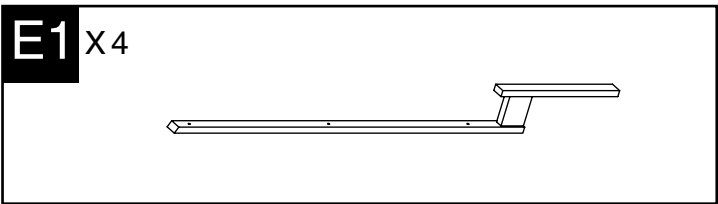
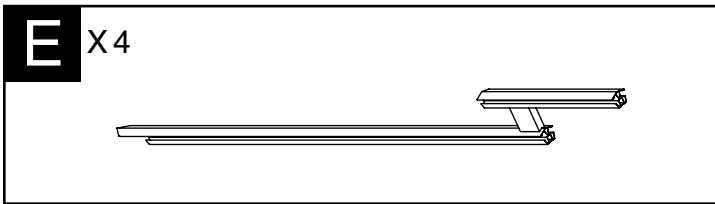
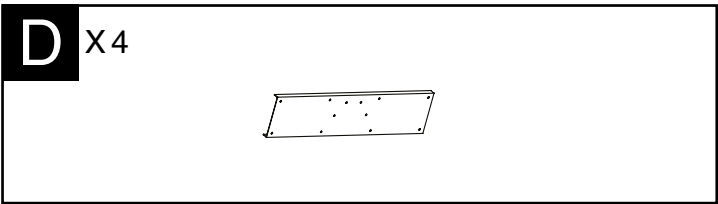
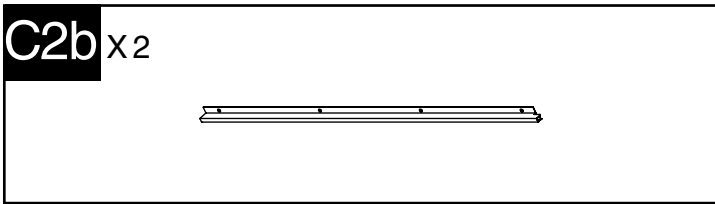
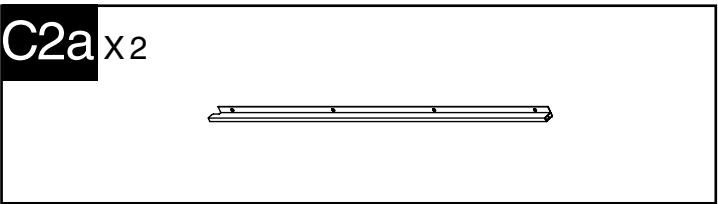
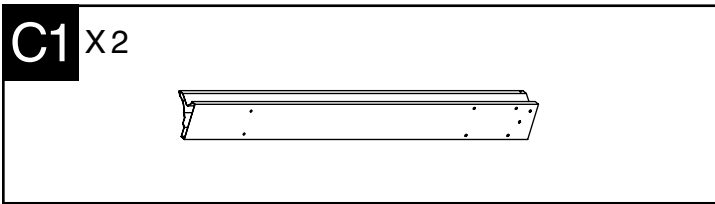
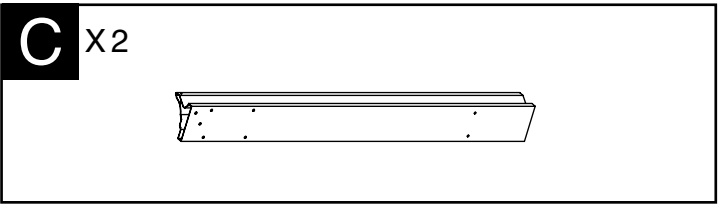
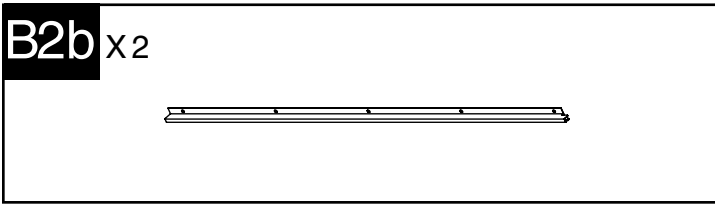
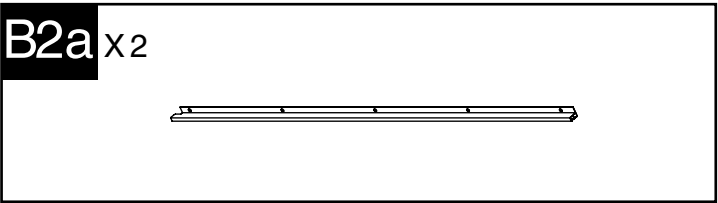
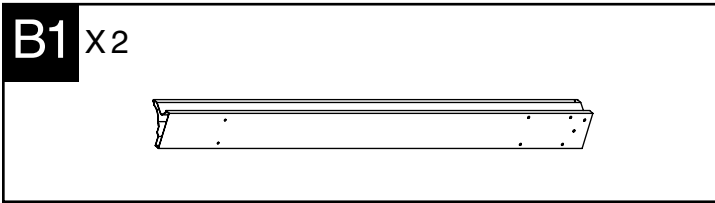
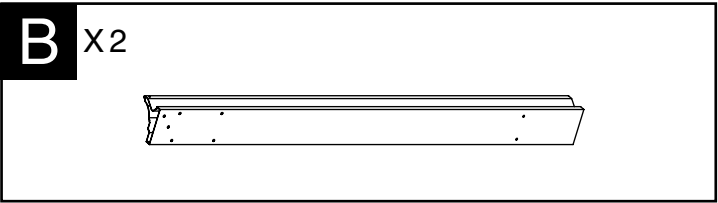
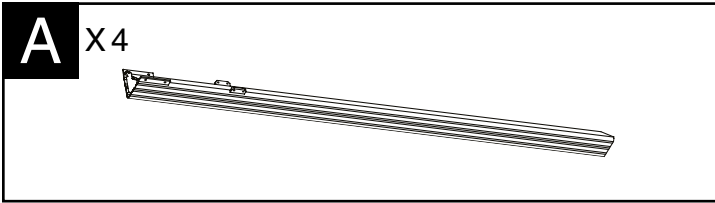


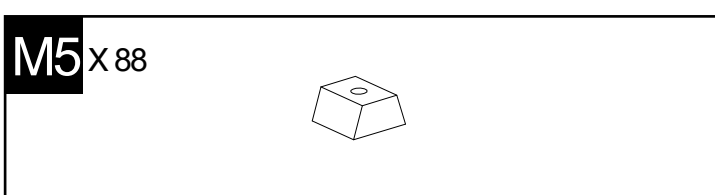
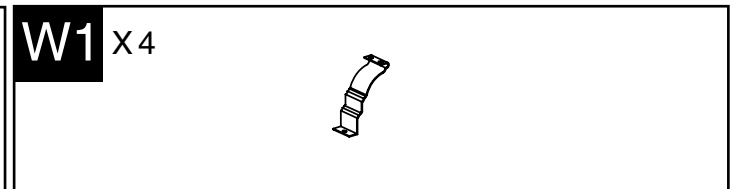
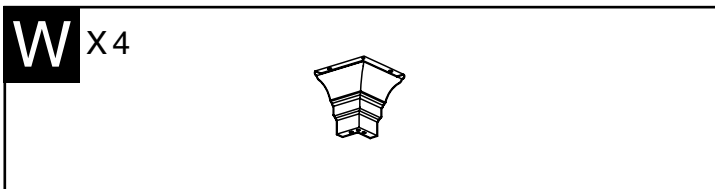
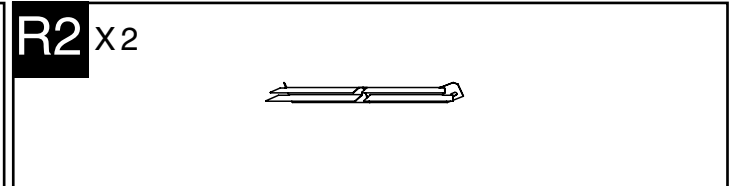
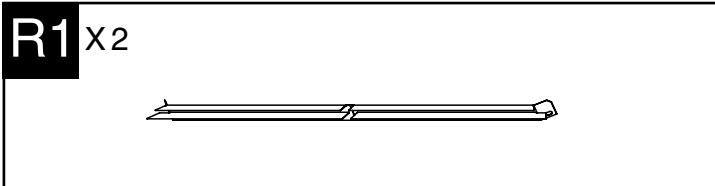
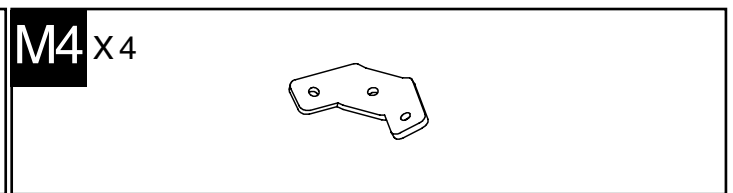
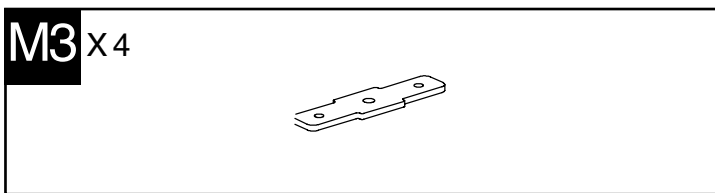
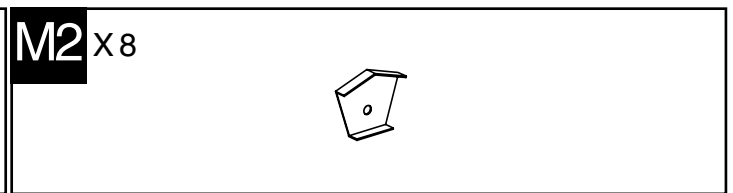
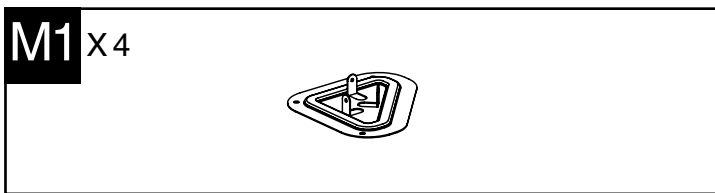
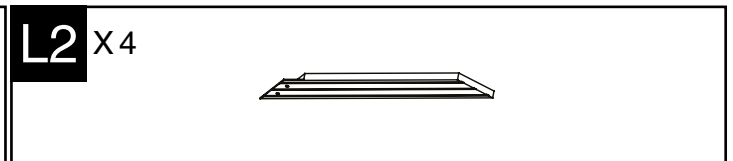
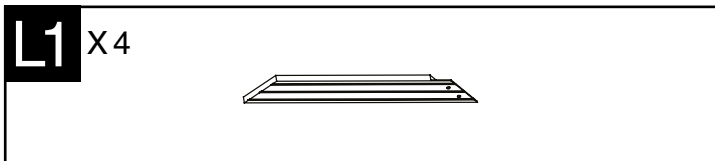
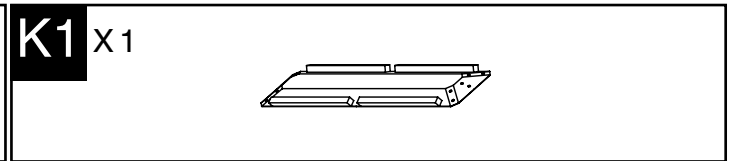
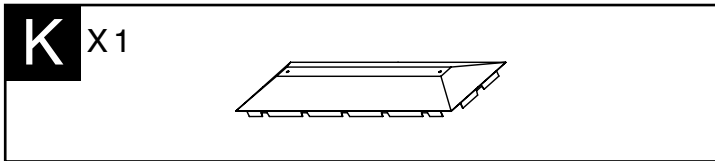
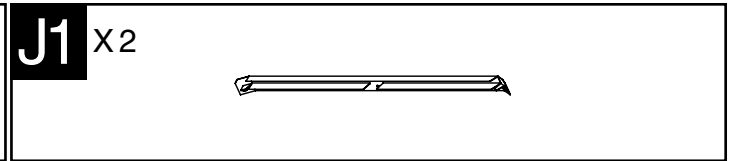
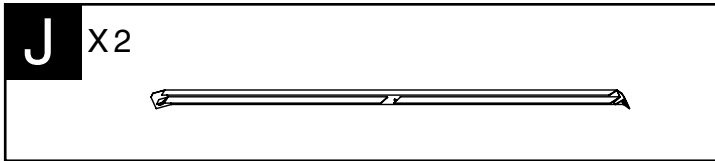
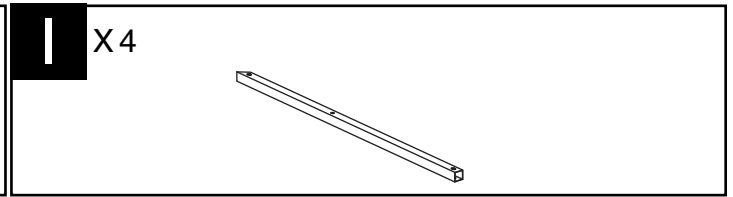
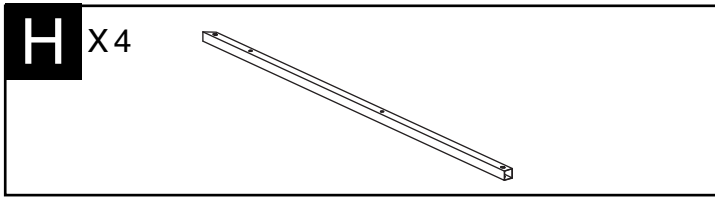
Wa X 2

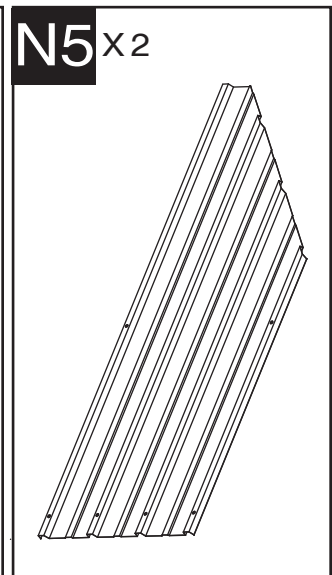
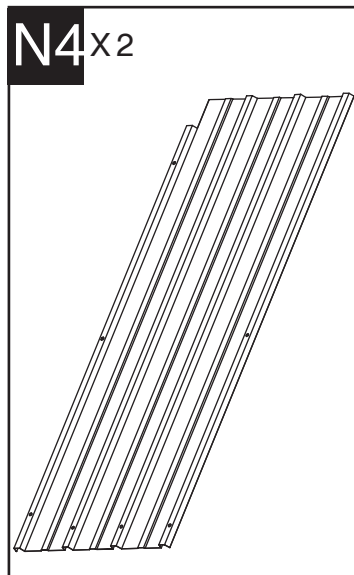
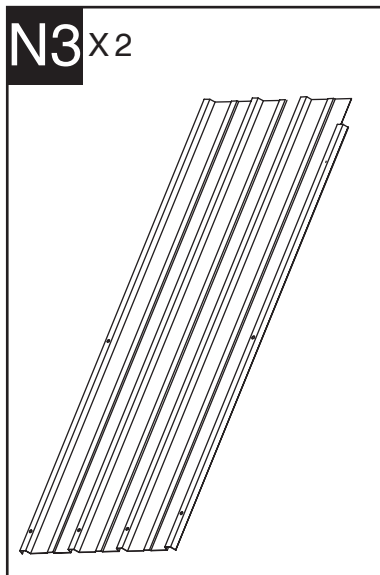
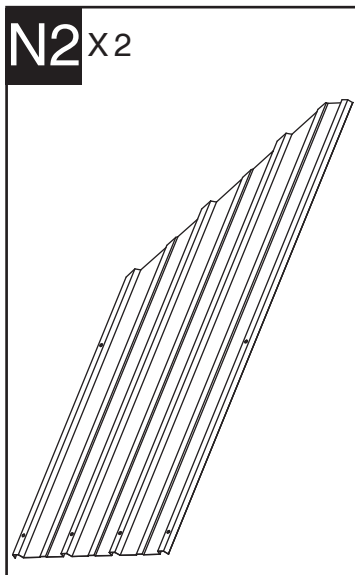
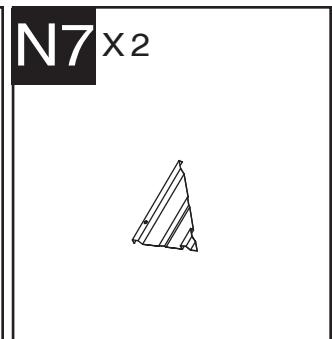
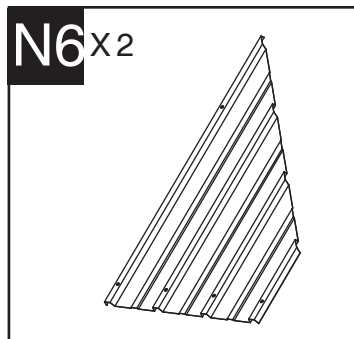
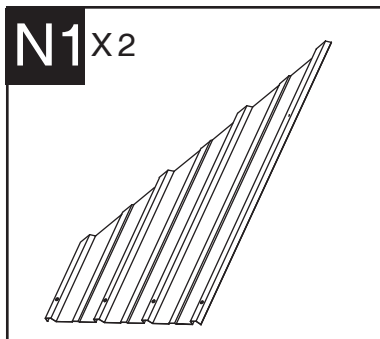
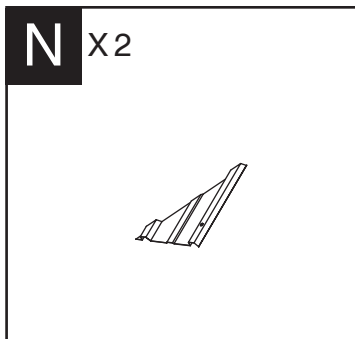
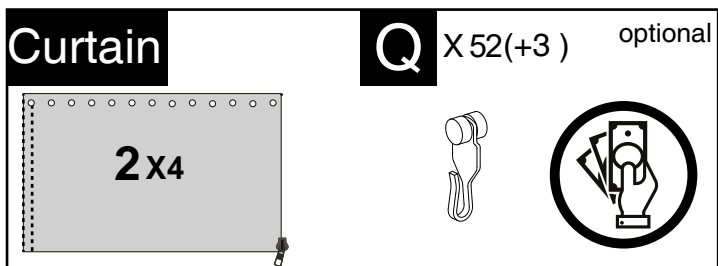
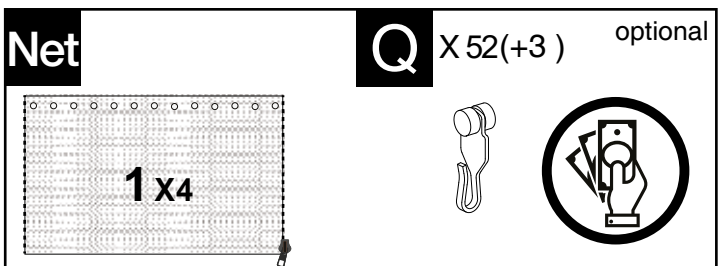
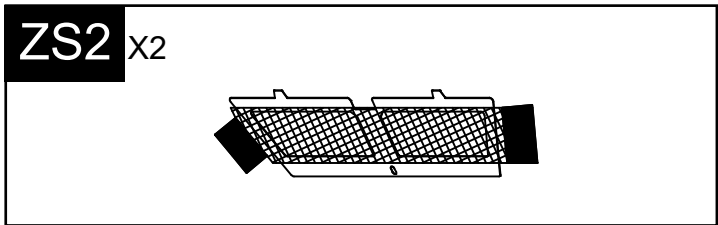
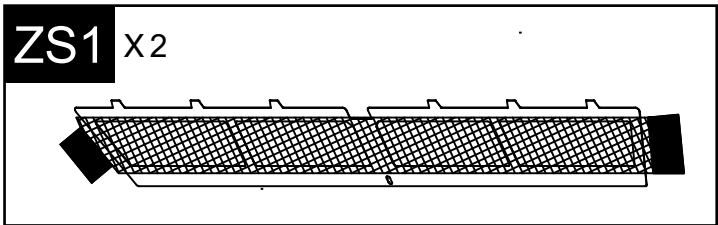
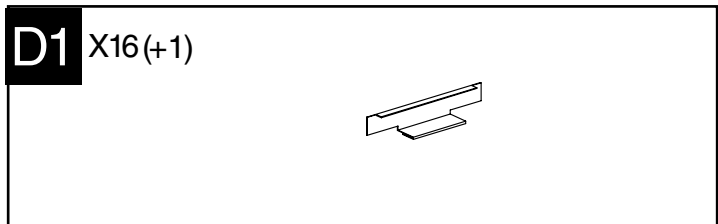
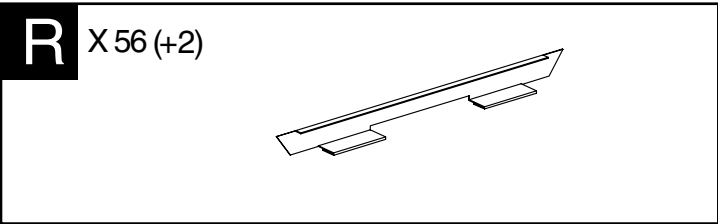


Z X 1

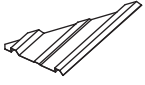




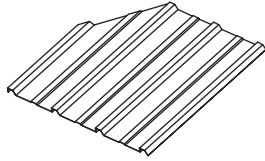




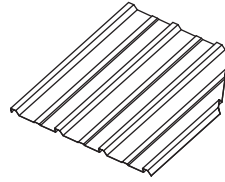
P2 x2



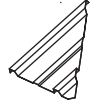
P3 x2



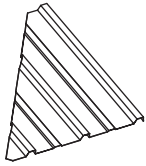
P4 x2



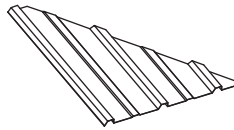
P5 x2



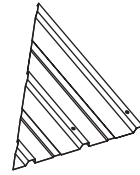
P x2



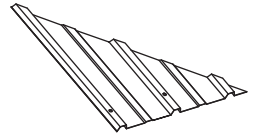
P1 x2



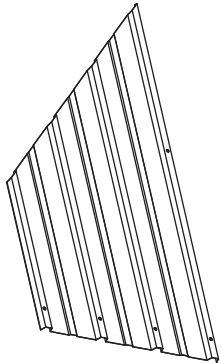
O x2



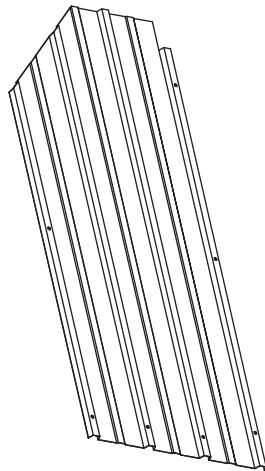
O5 x2



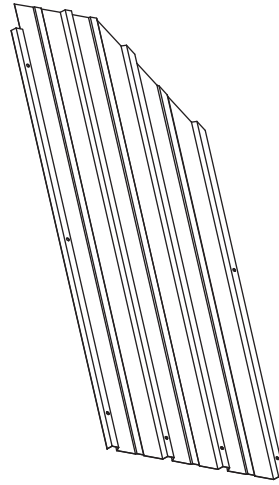
O1 x2



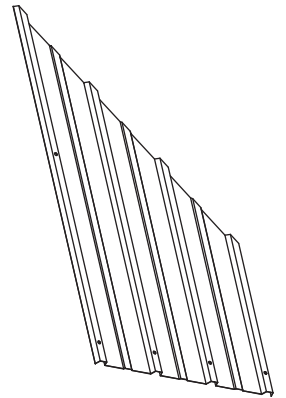
O2 x2

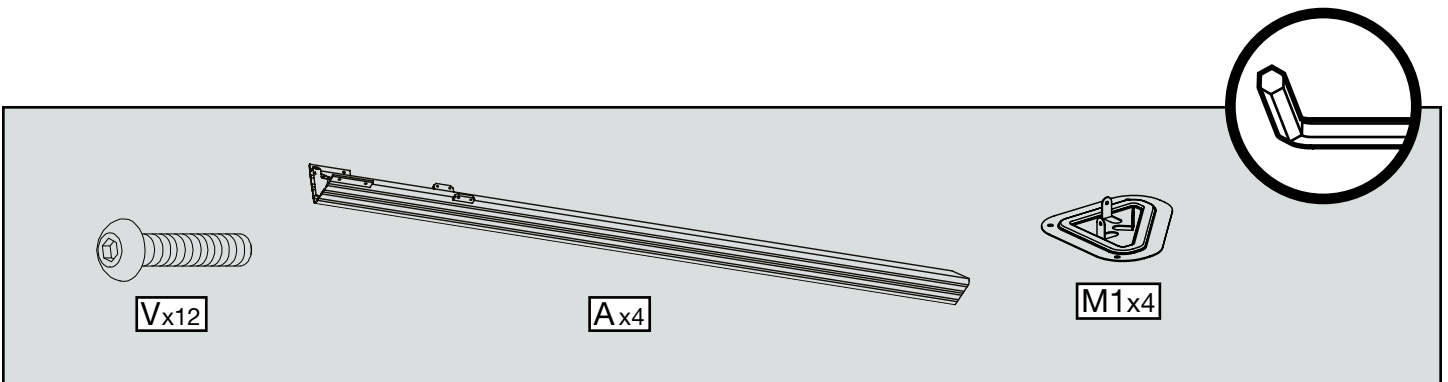
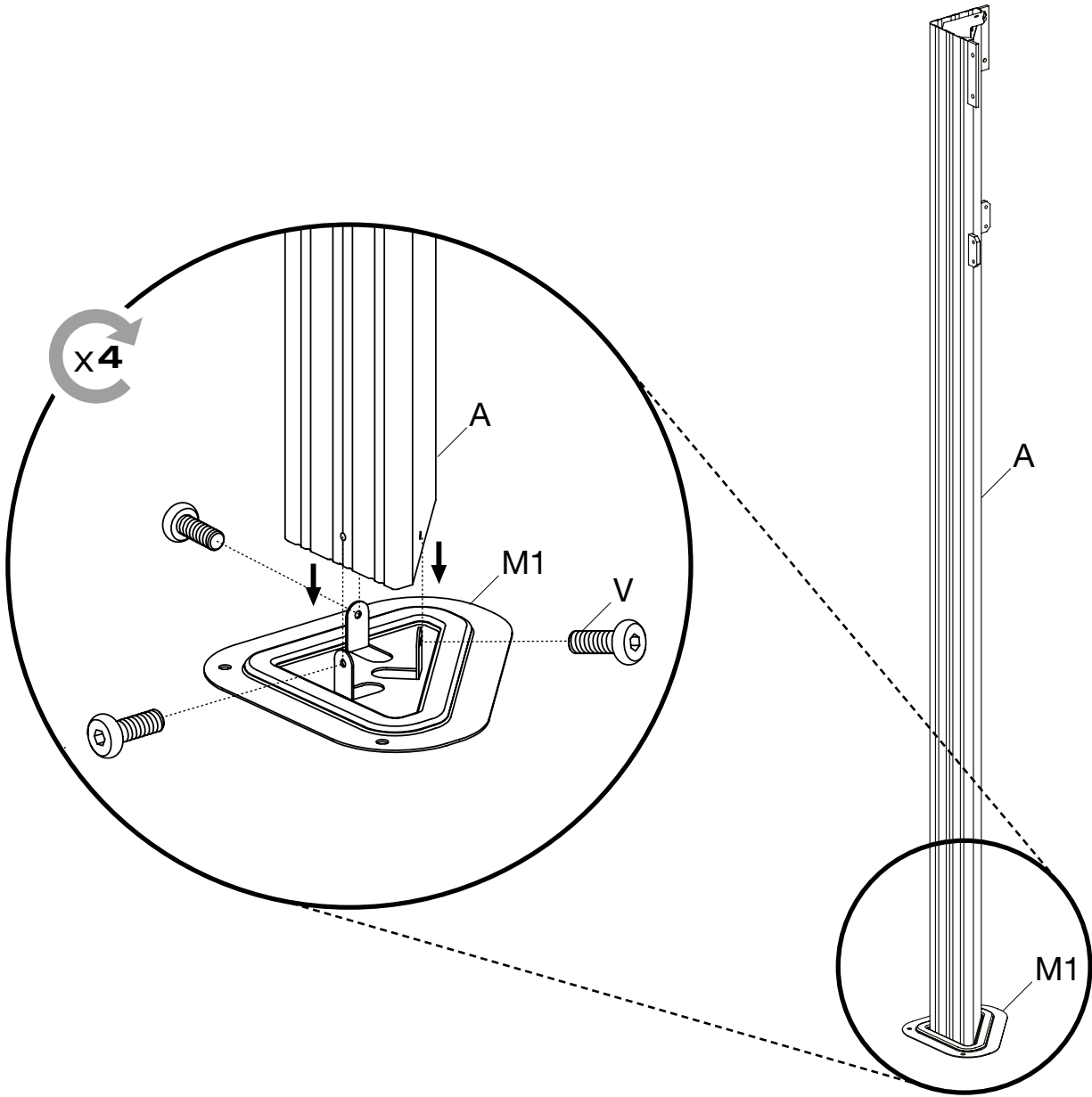


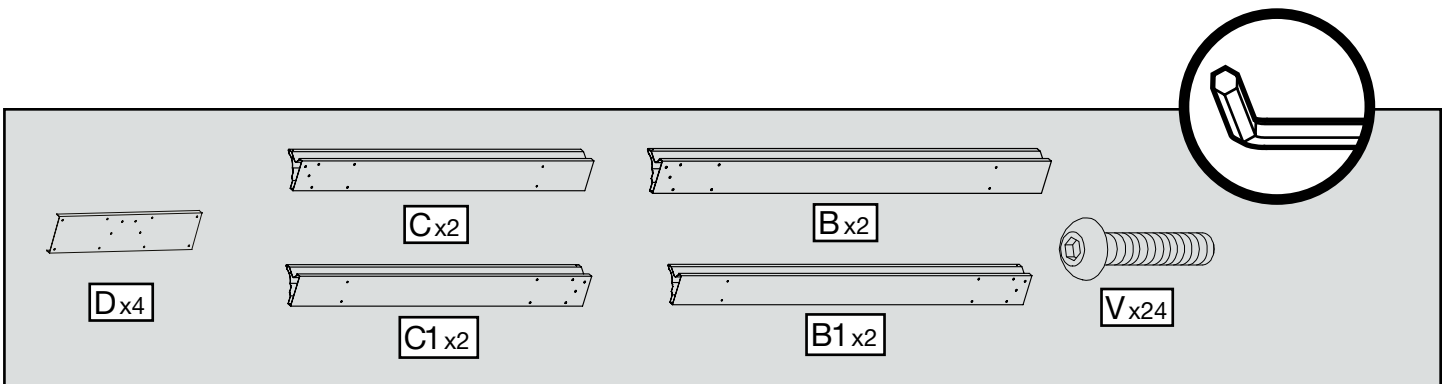
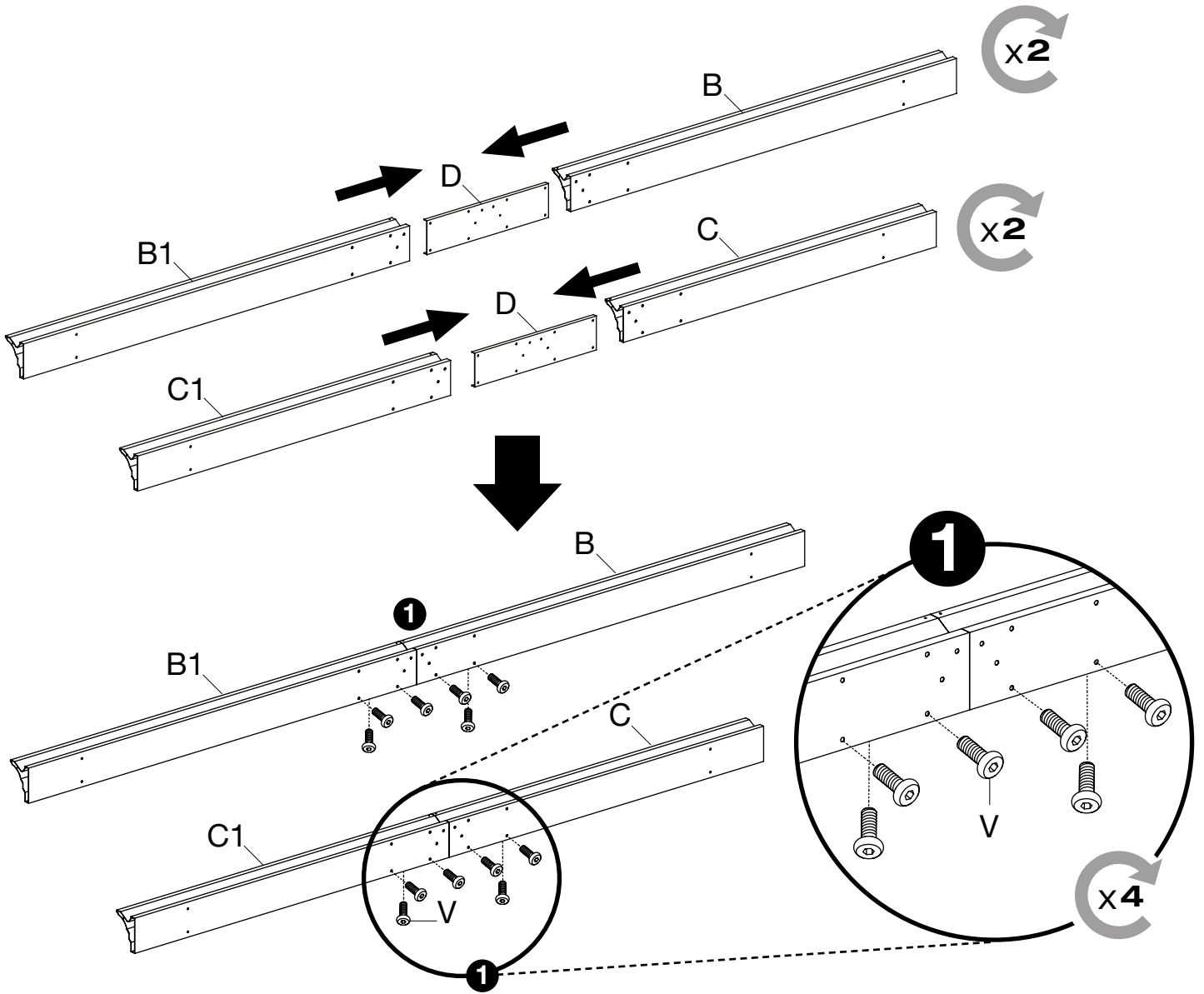
O3 x2

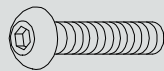
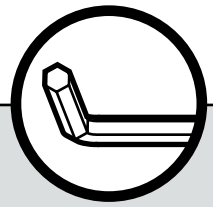
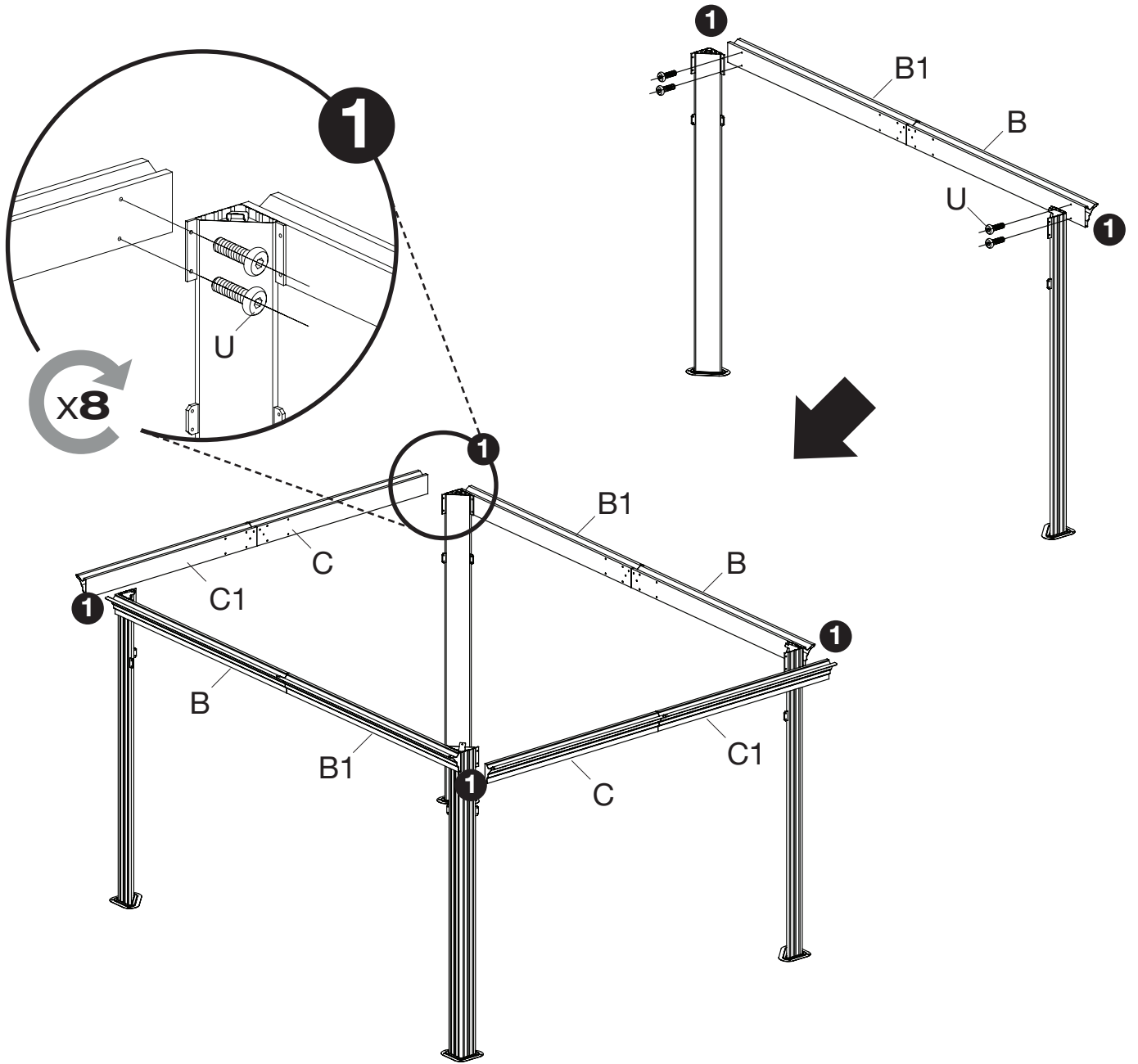


O4 x2

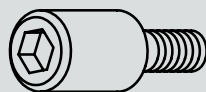
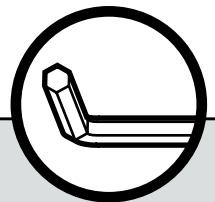
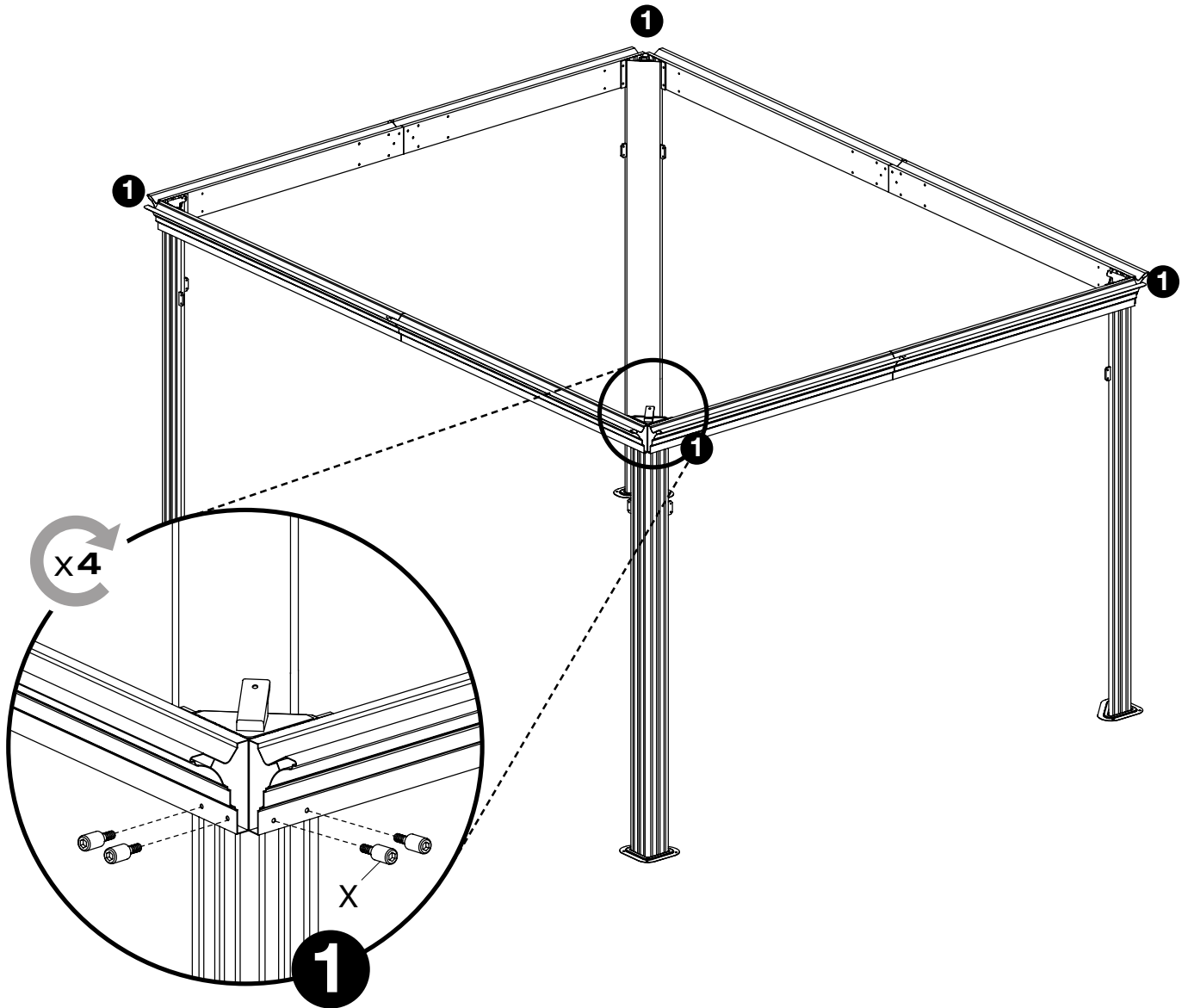




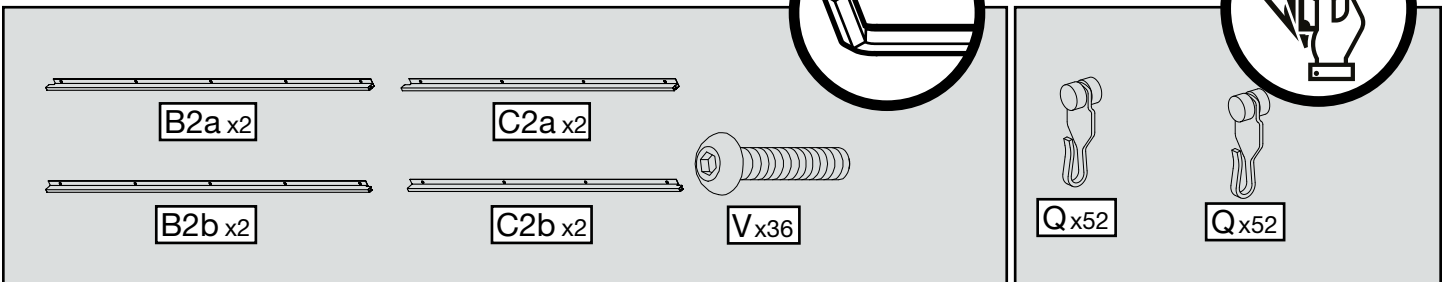
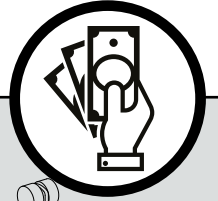
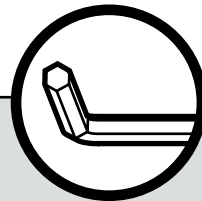
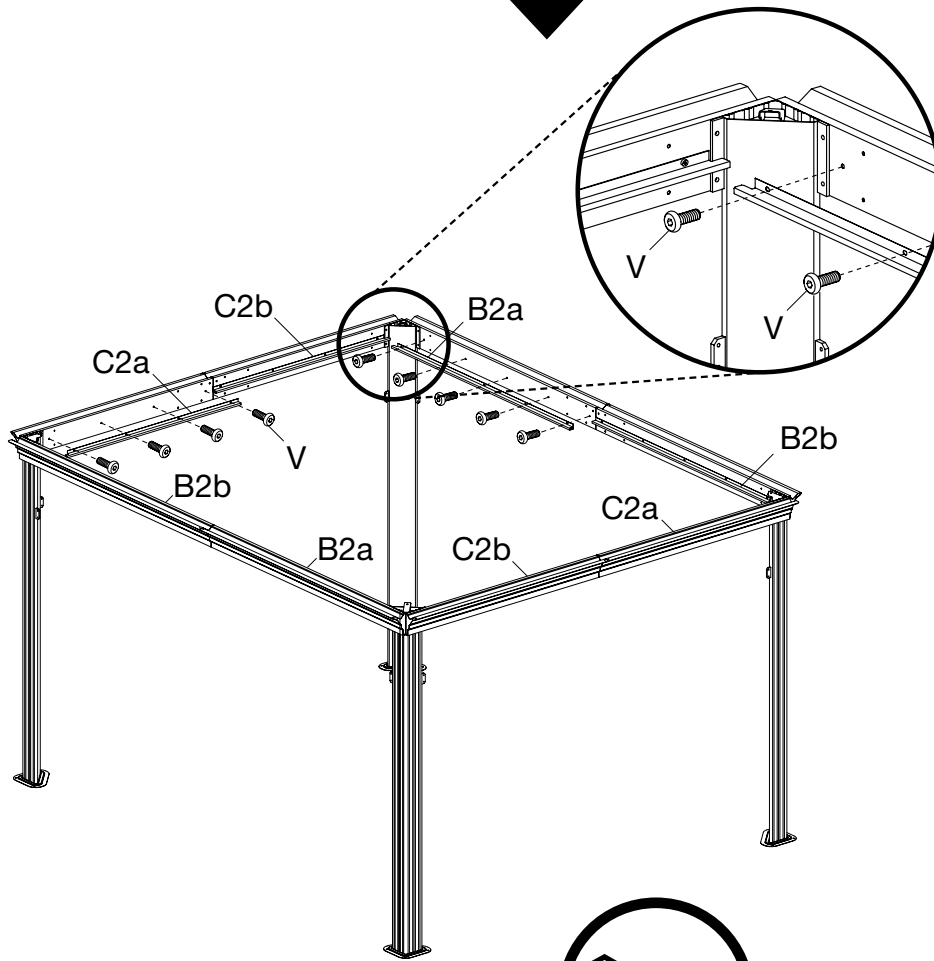
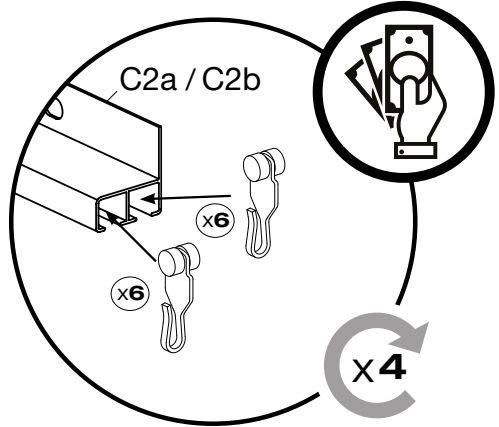
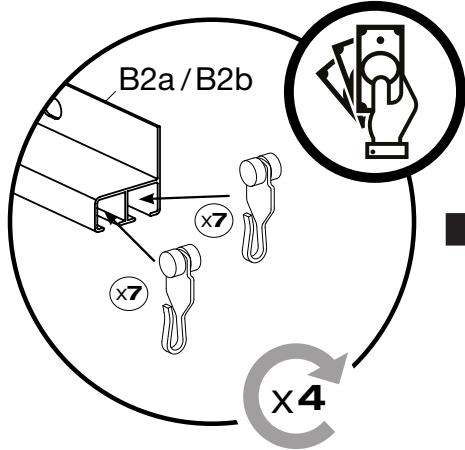
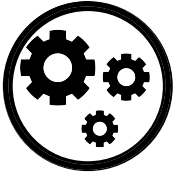


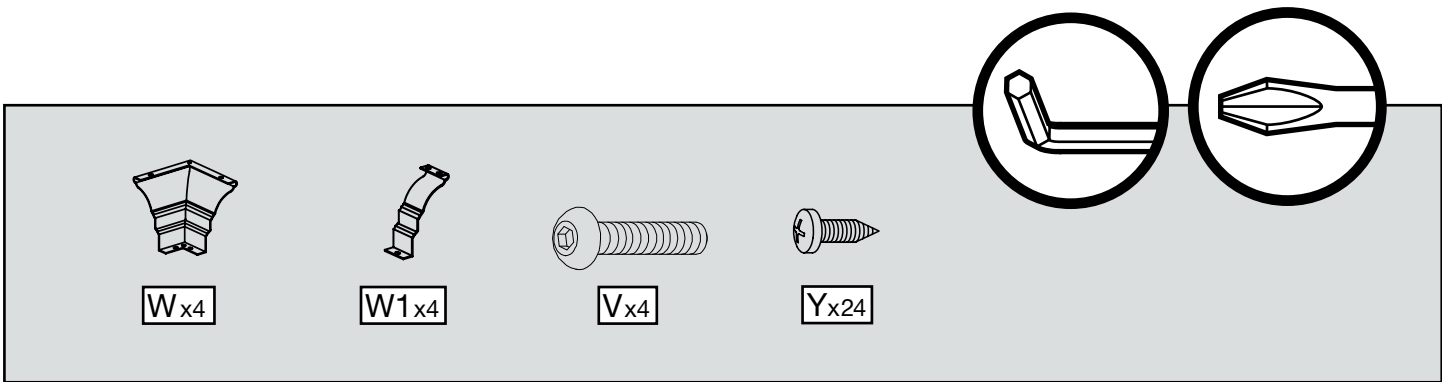
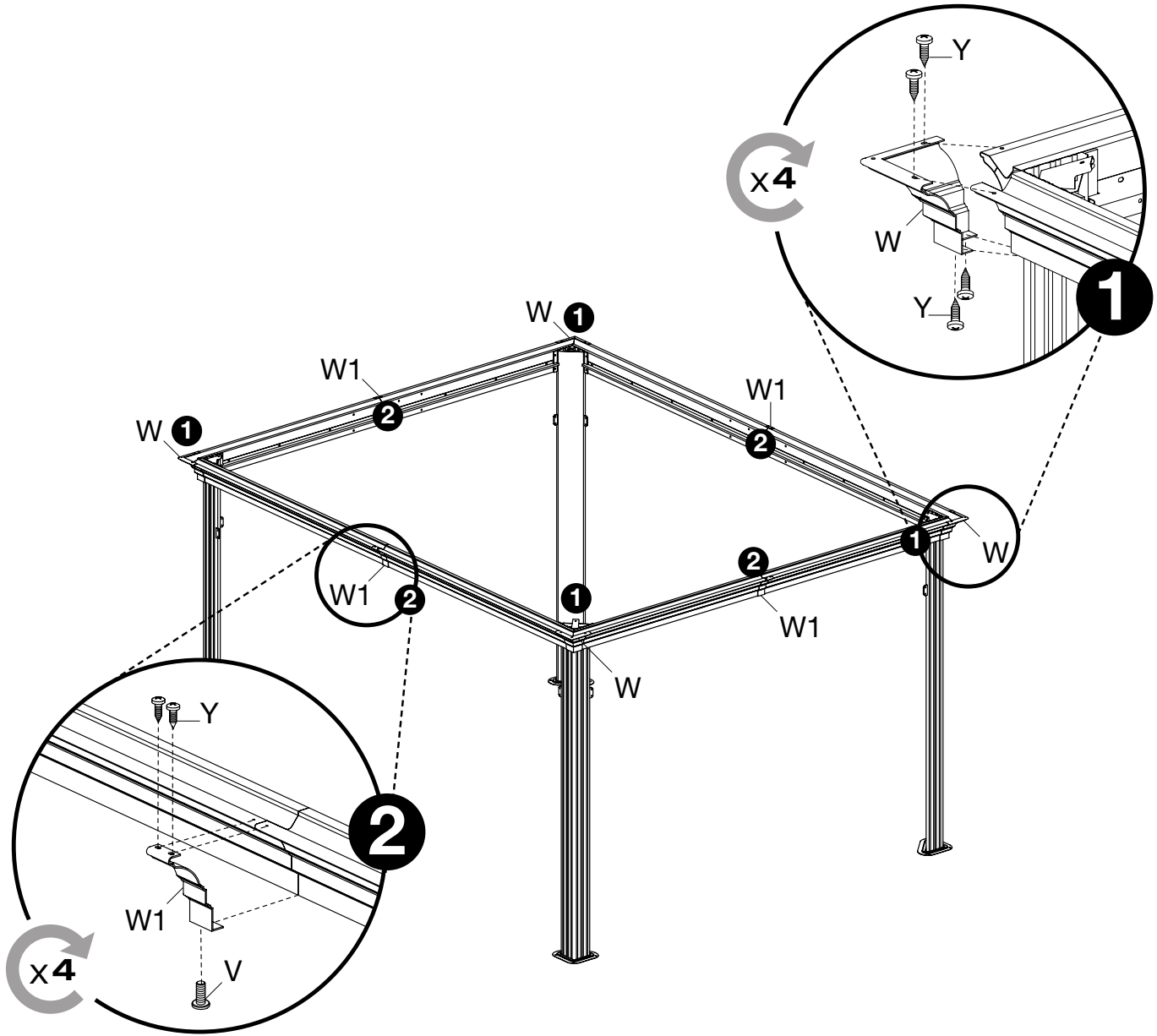


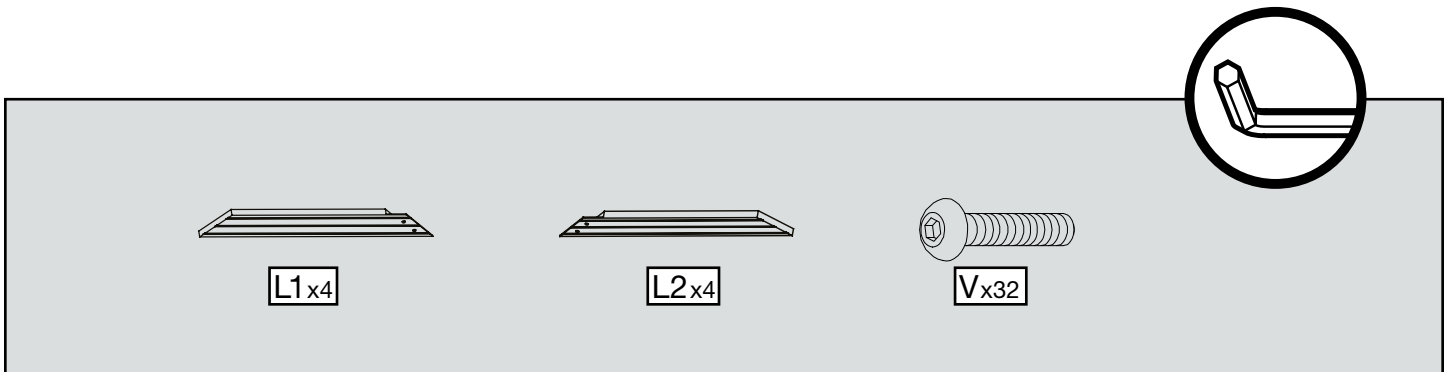
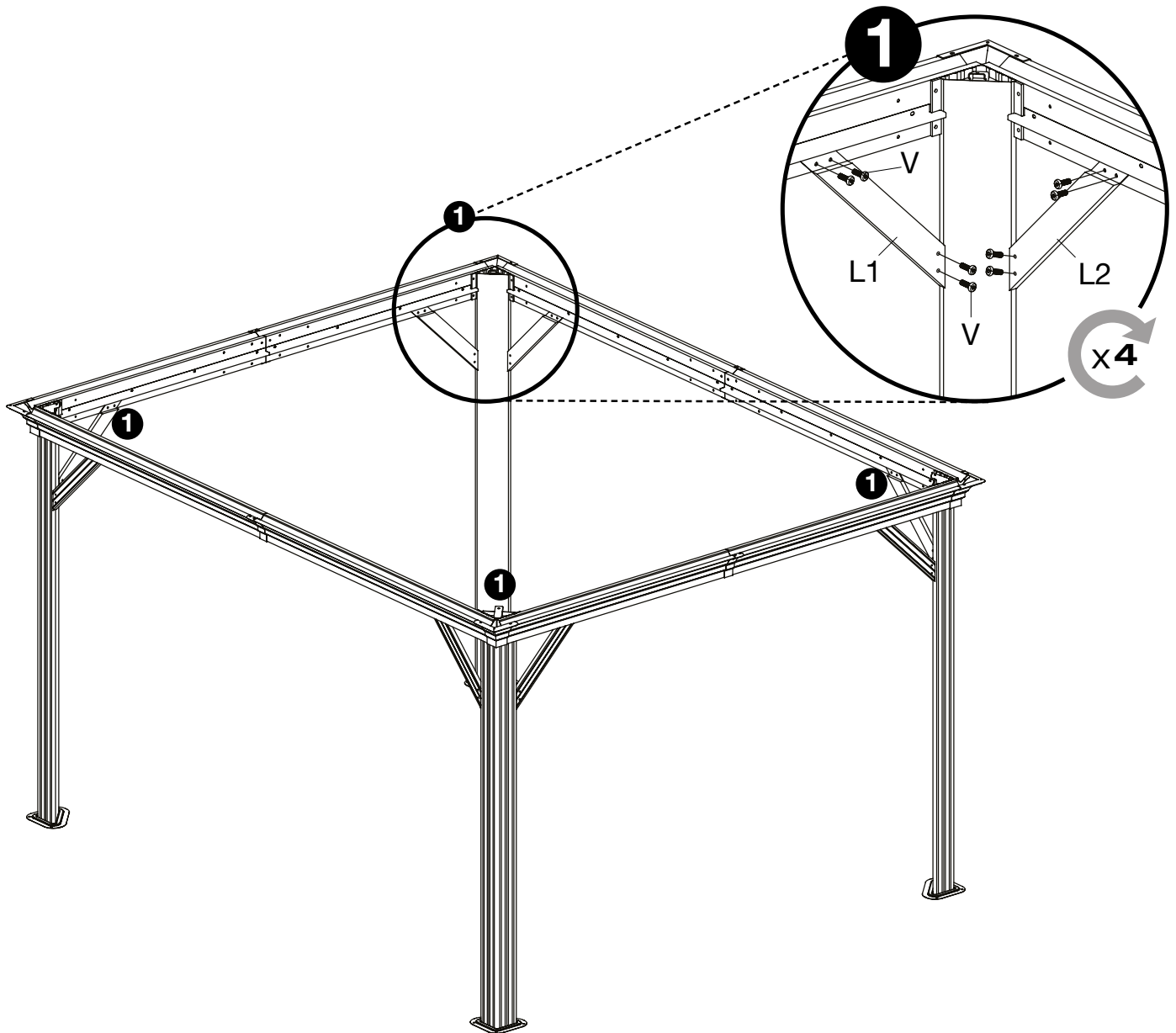
U x16

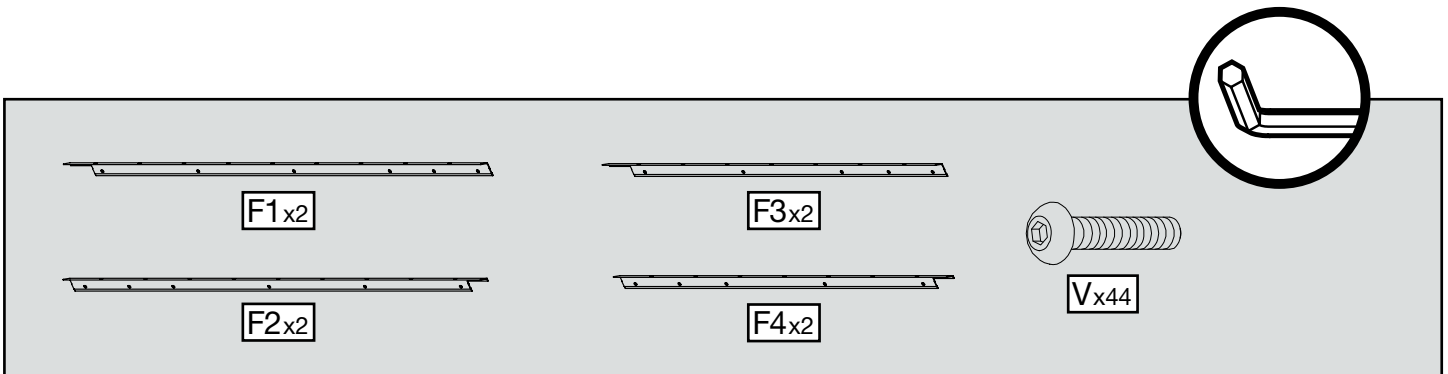
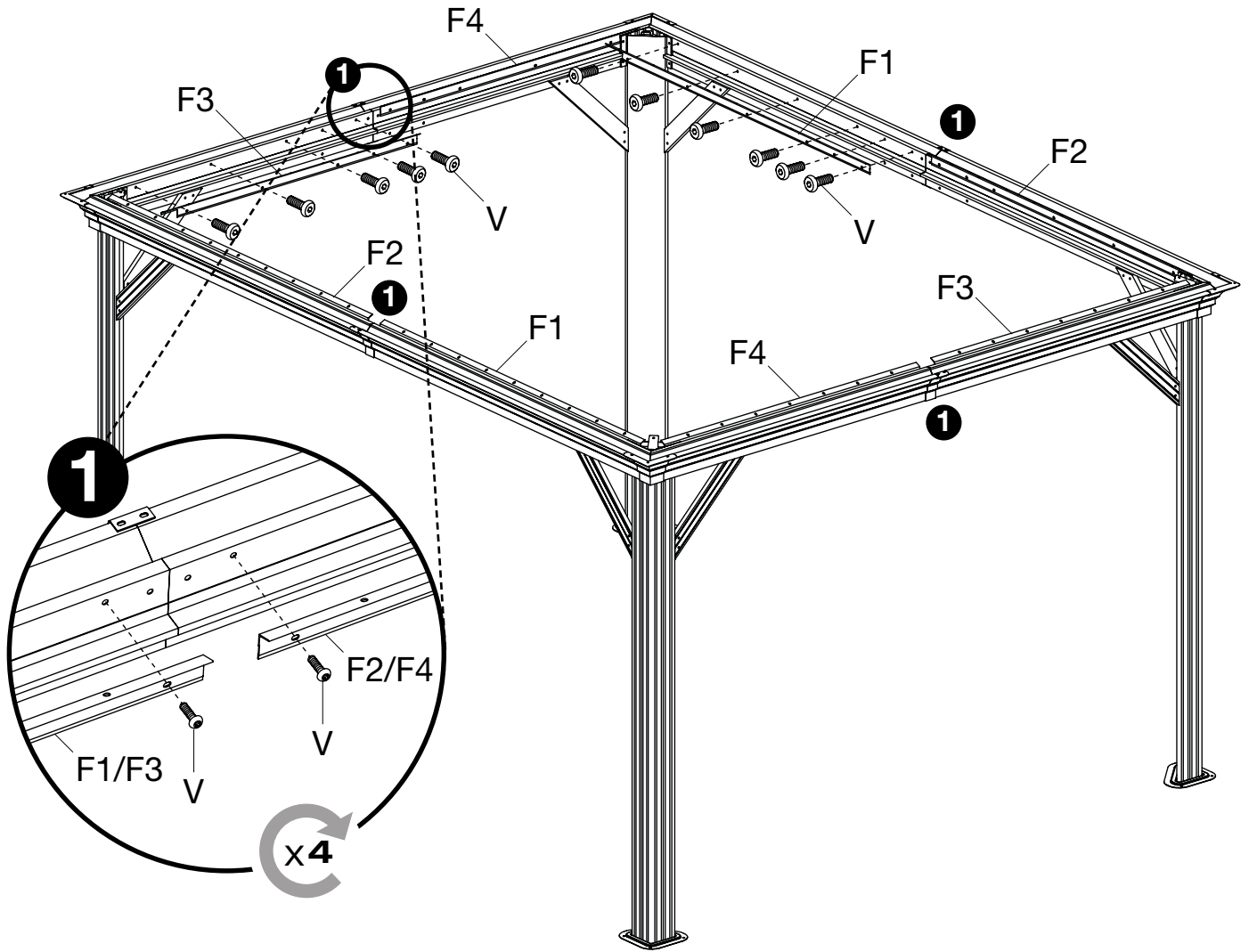


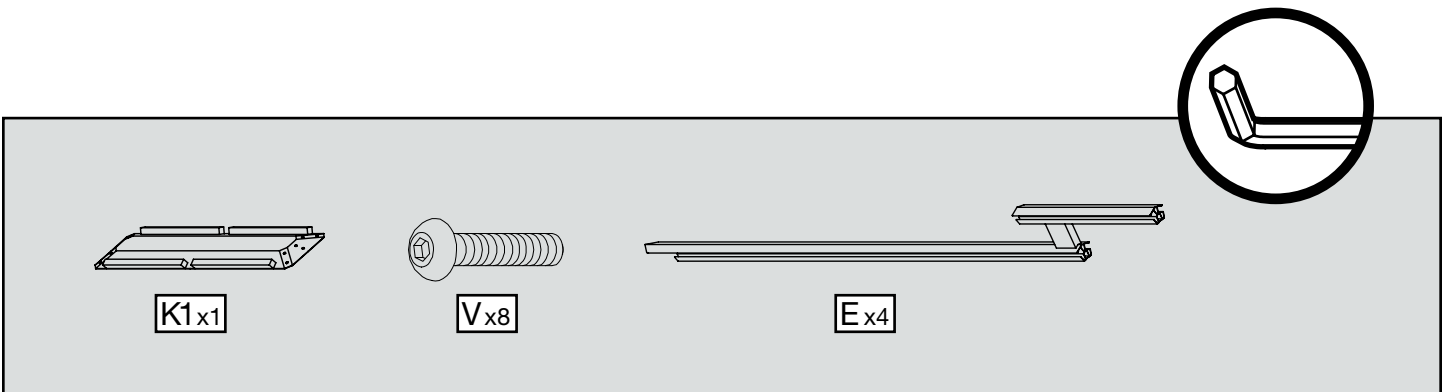
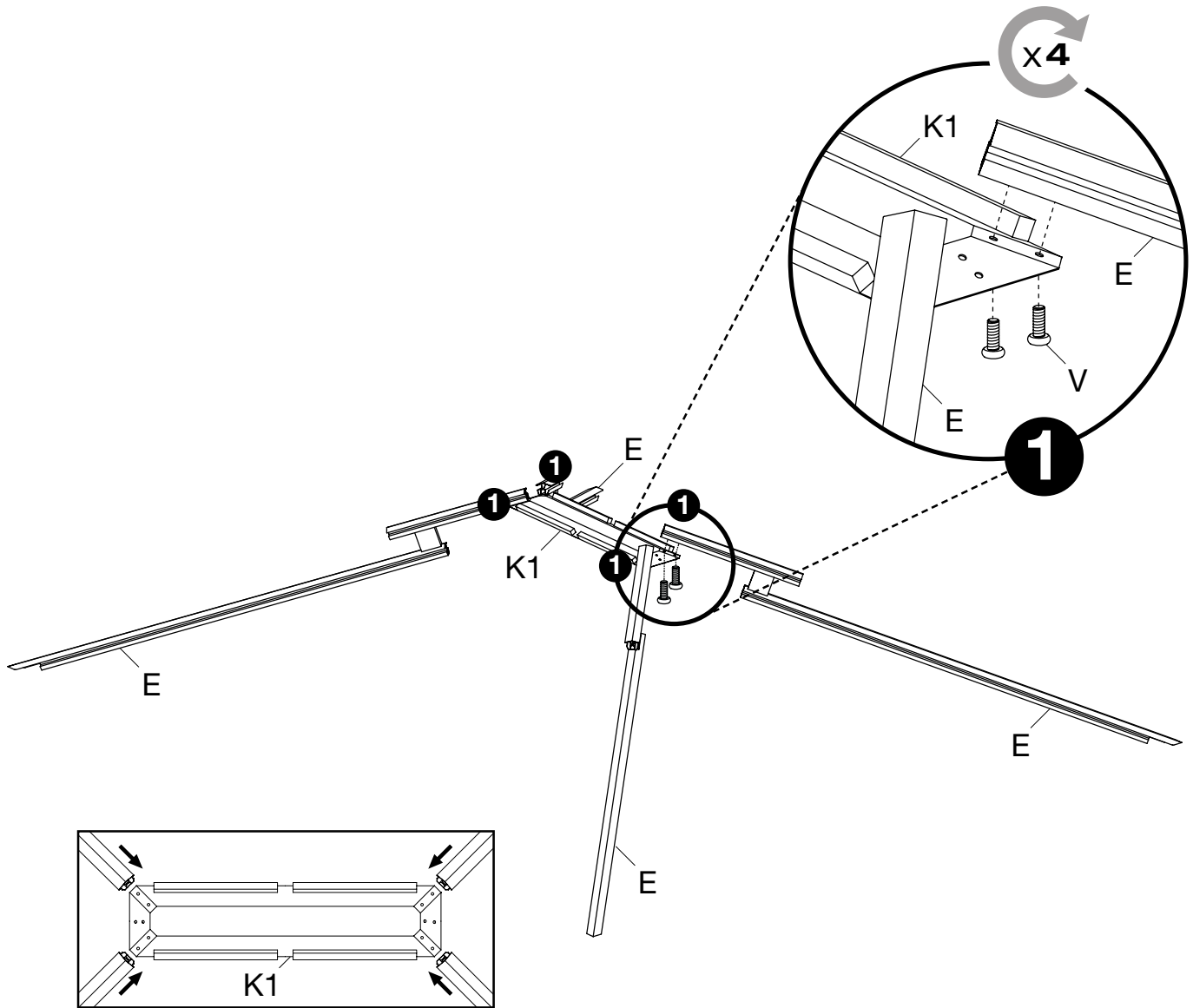
Xx16

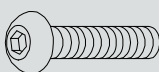
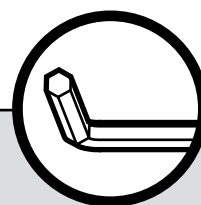
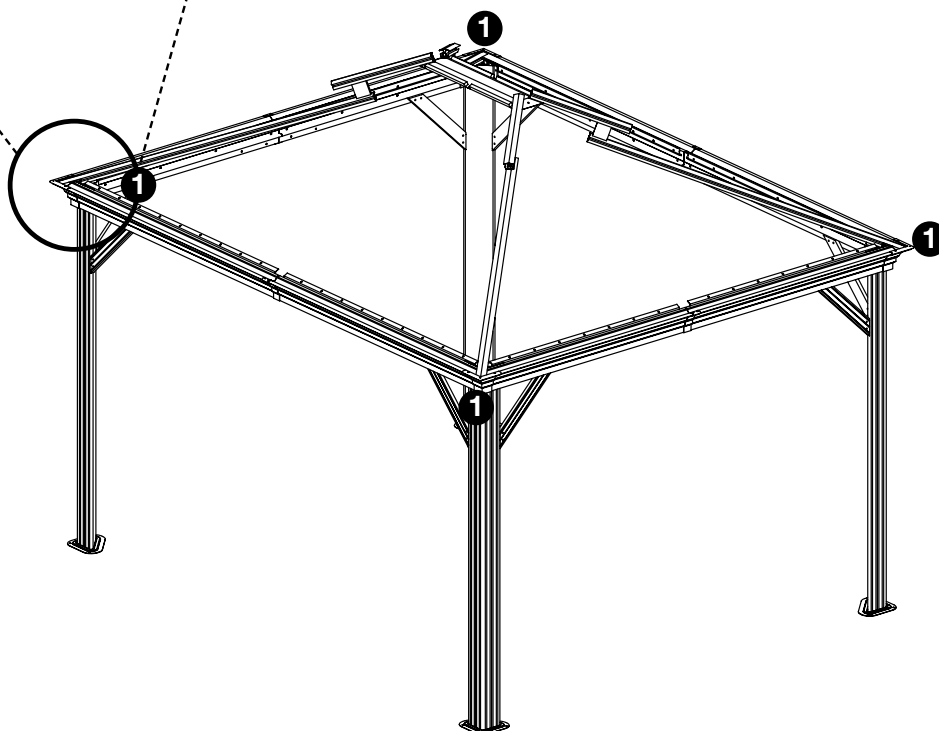
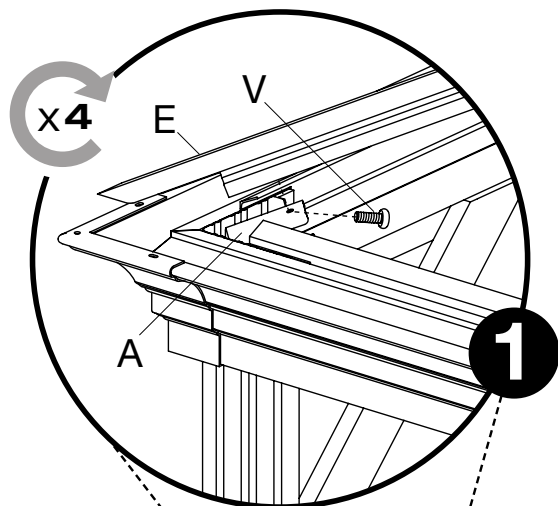




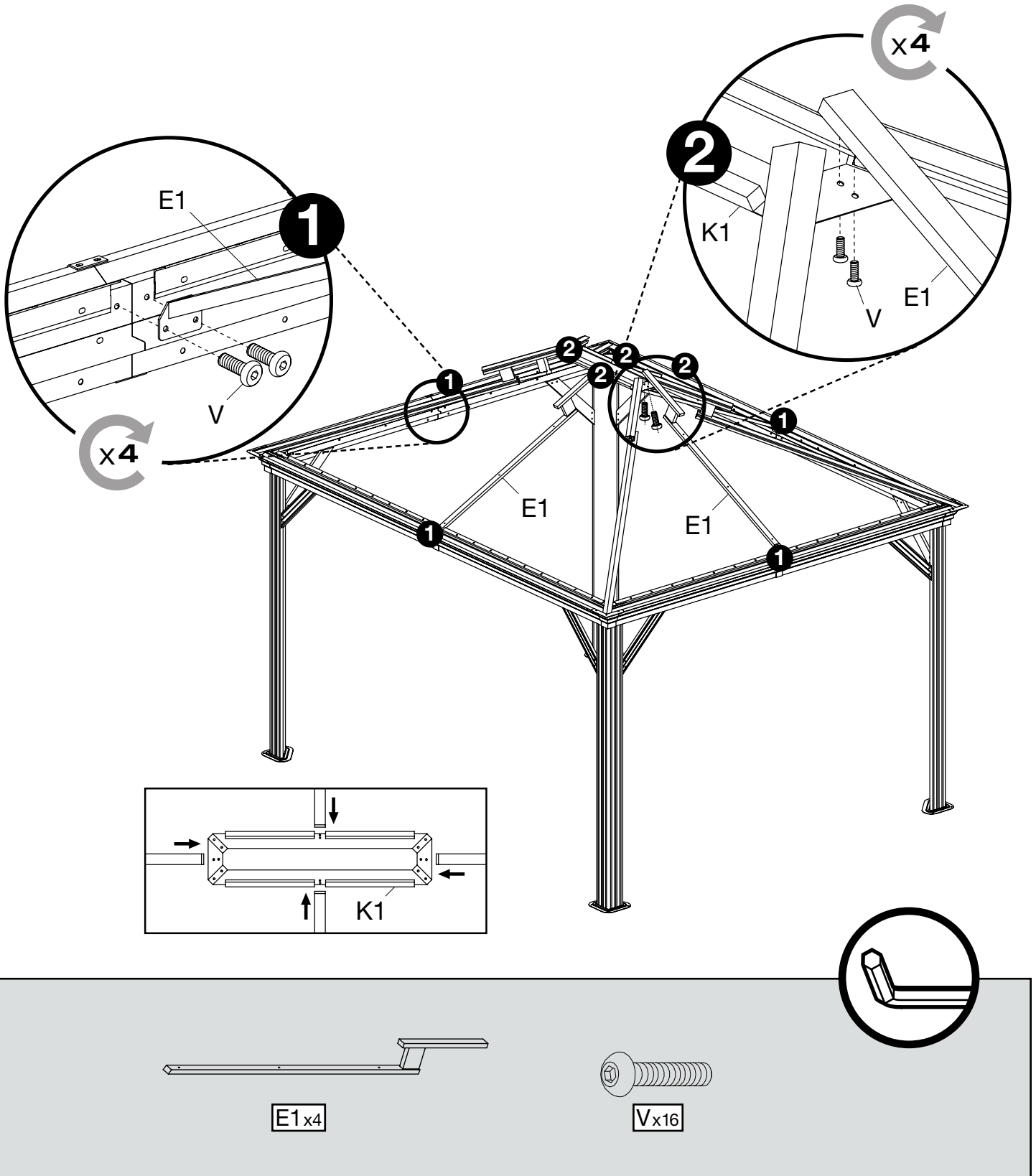


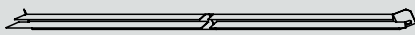
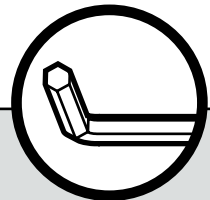
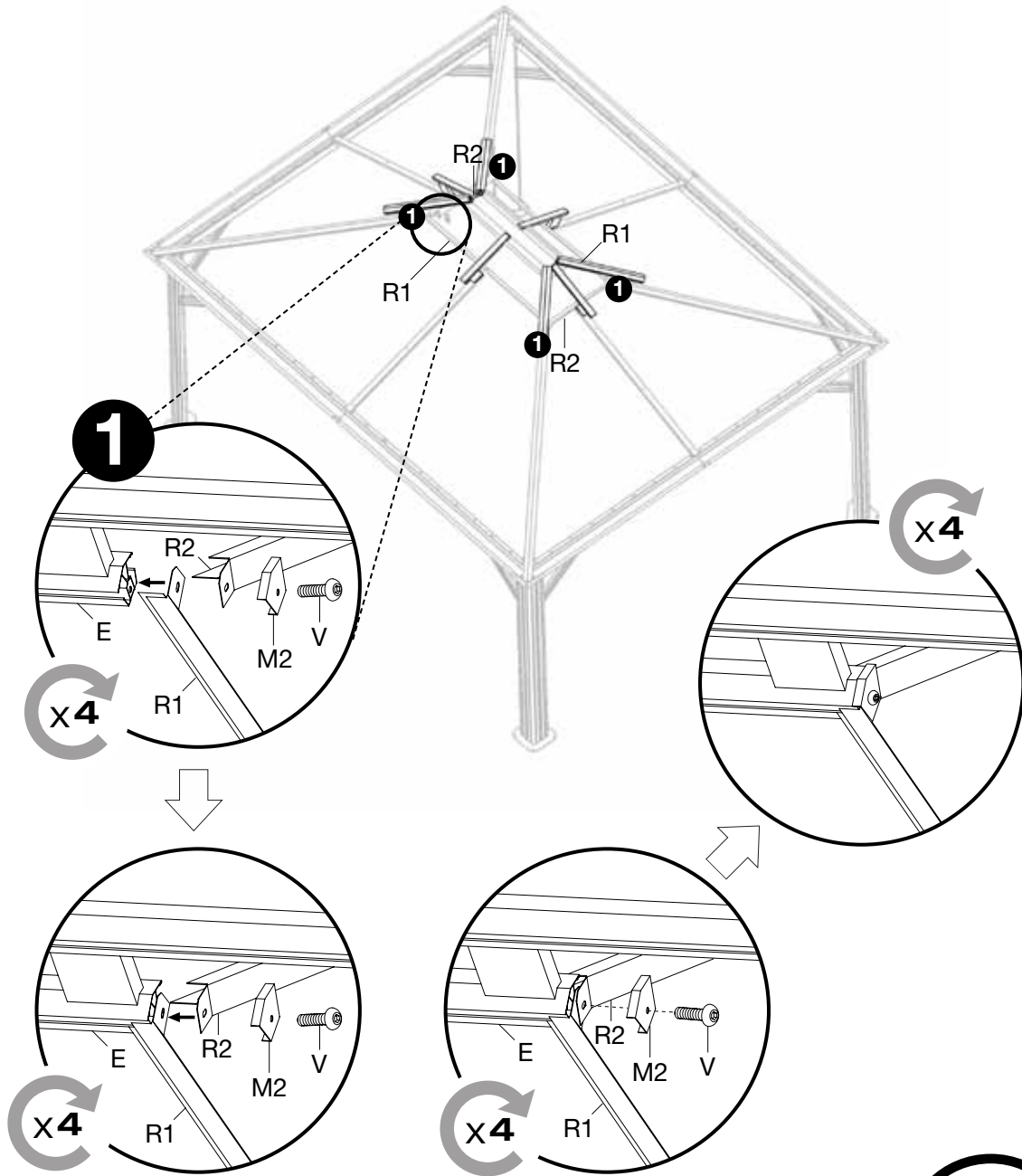




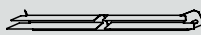


Vx4

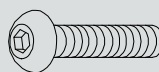




R1 x2



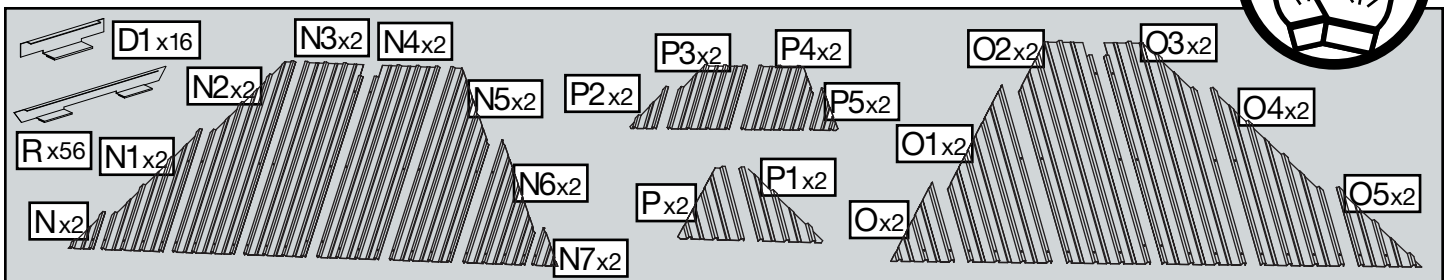
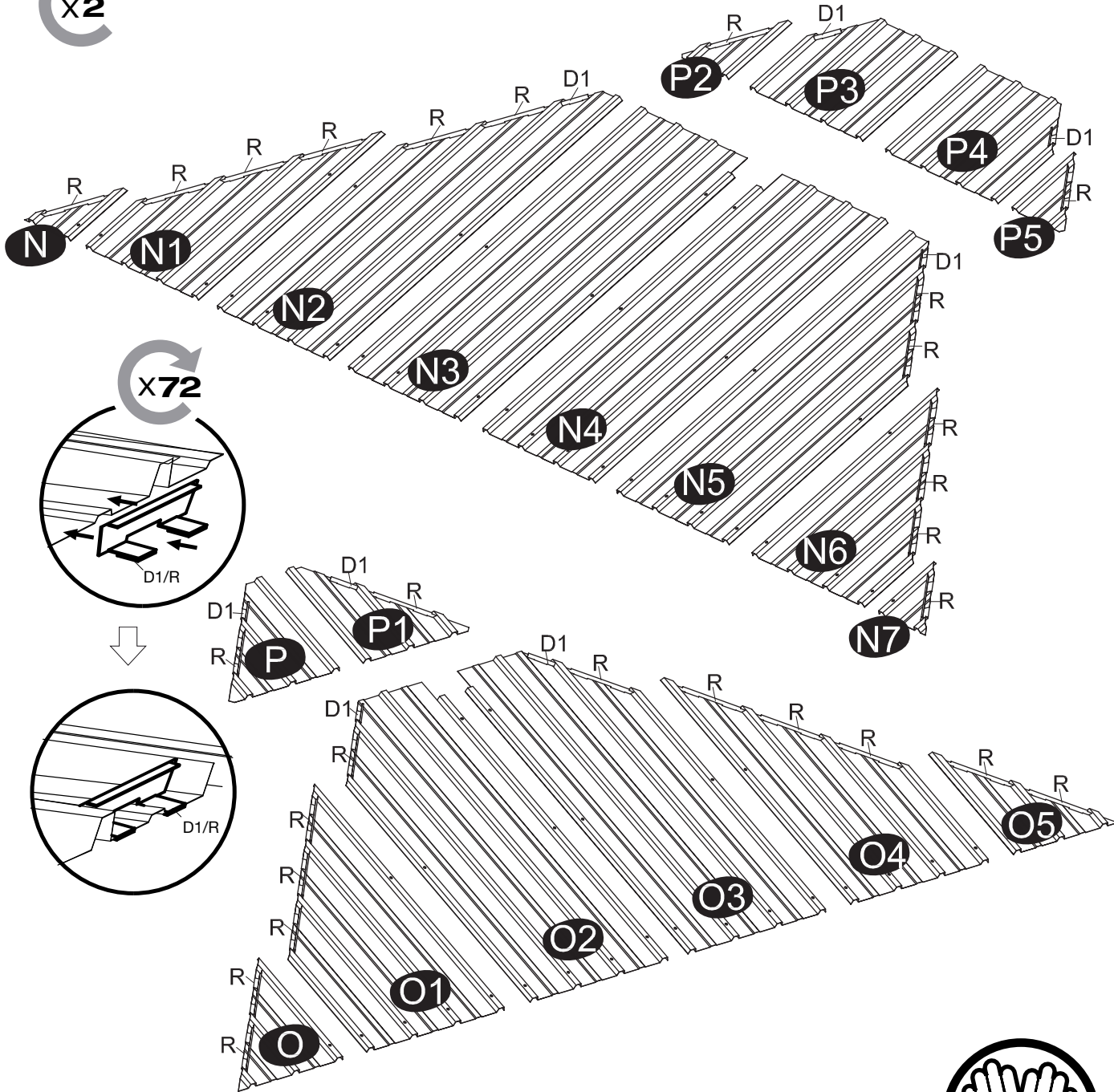
R2 x2

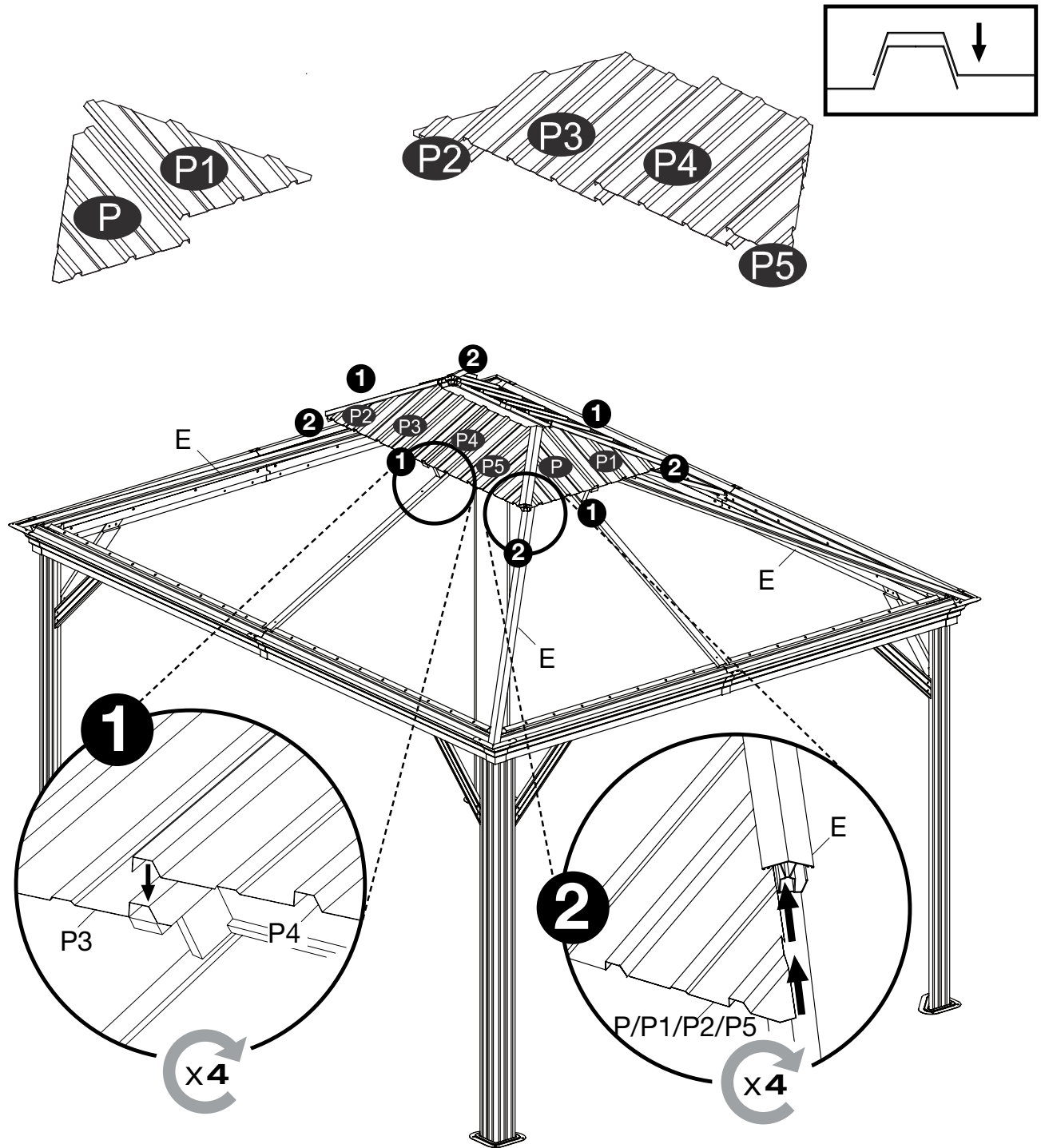


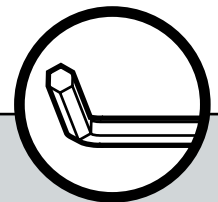
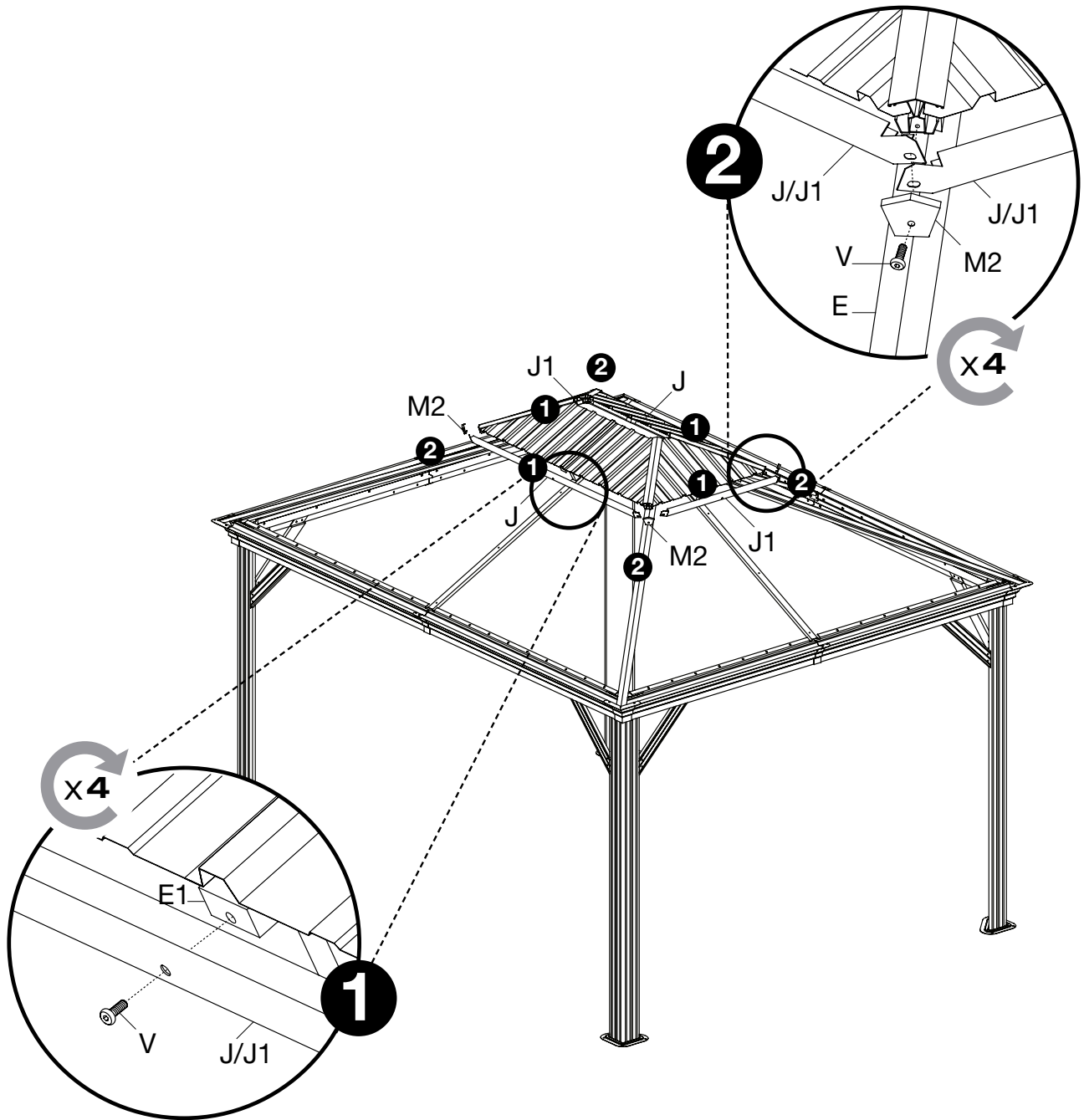
V x4



M2 x4

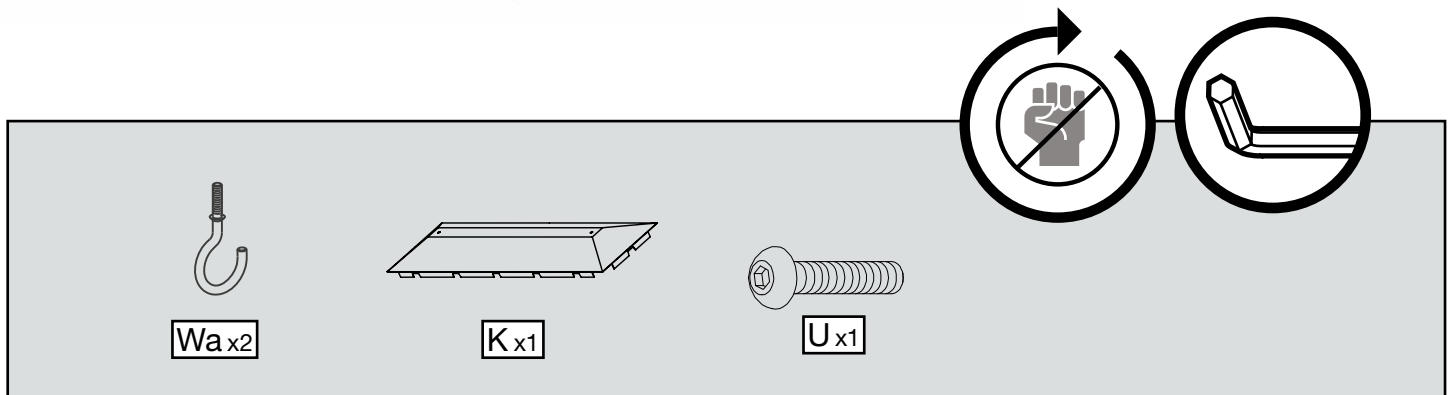
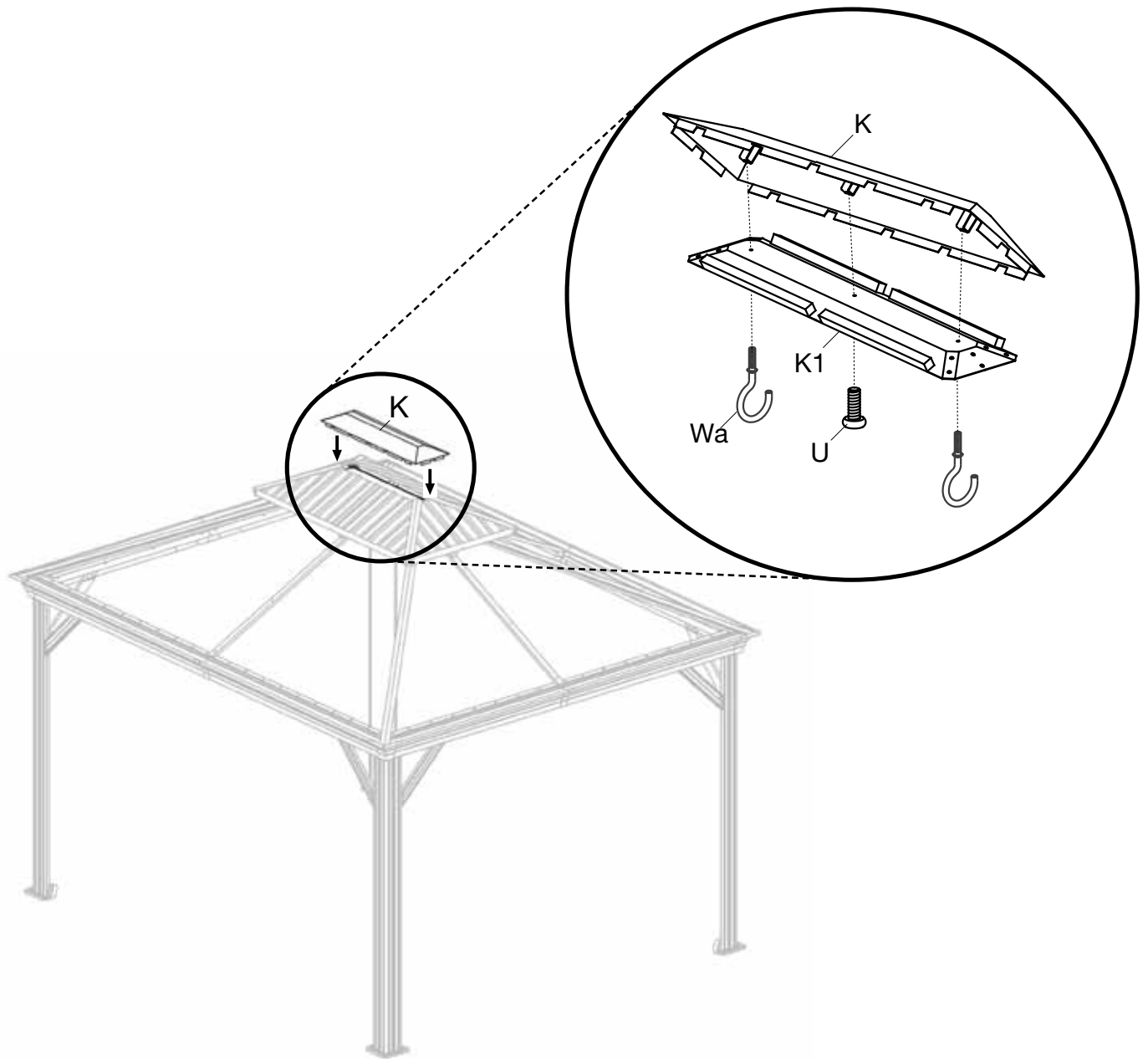


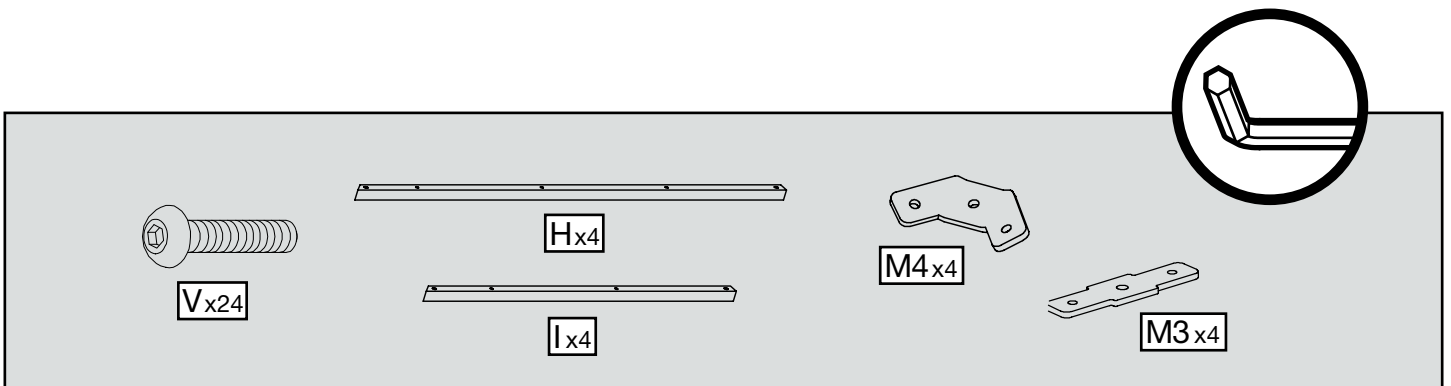
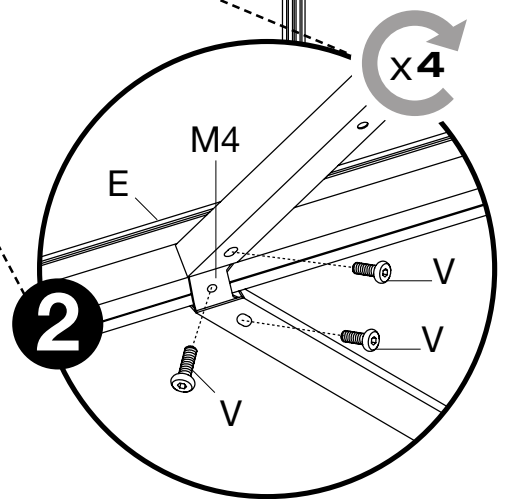
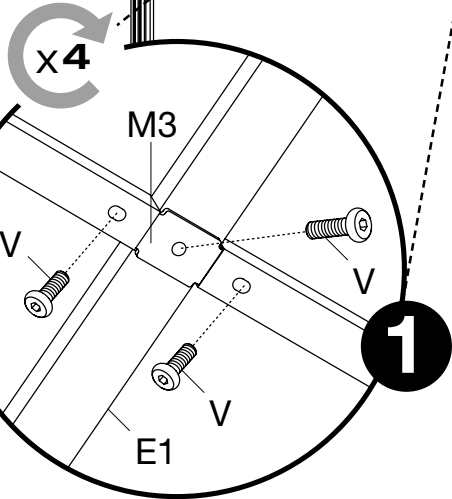
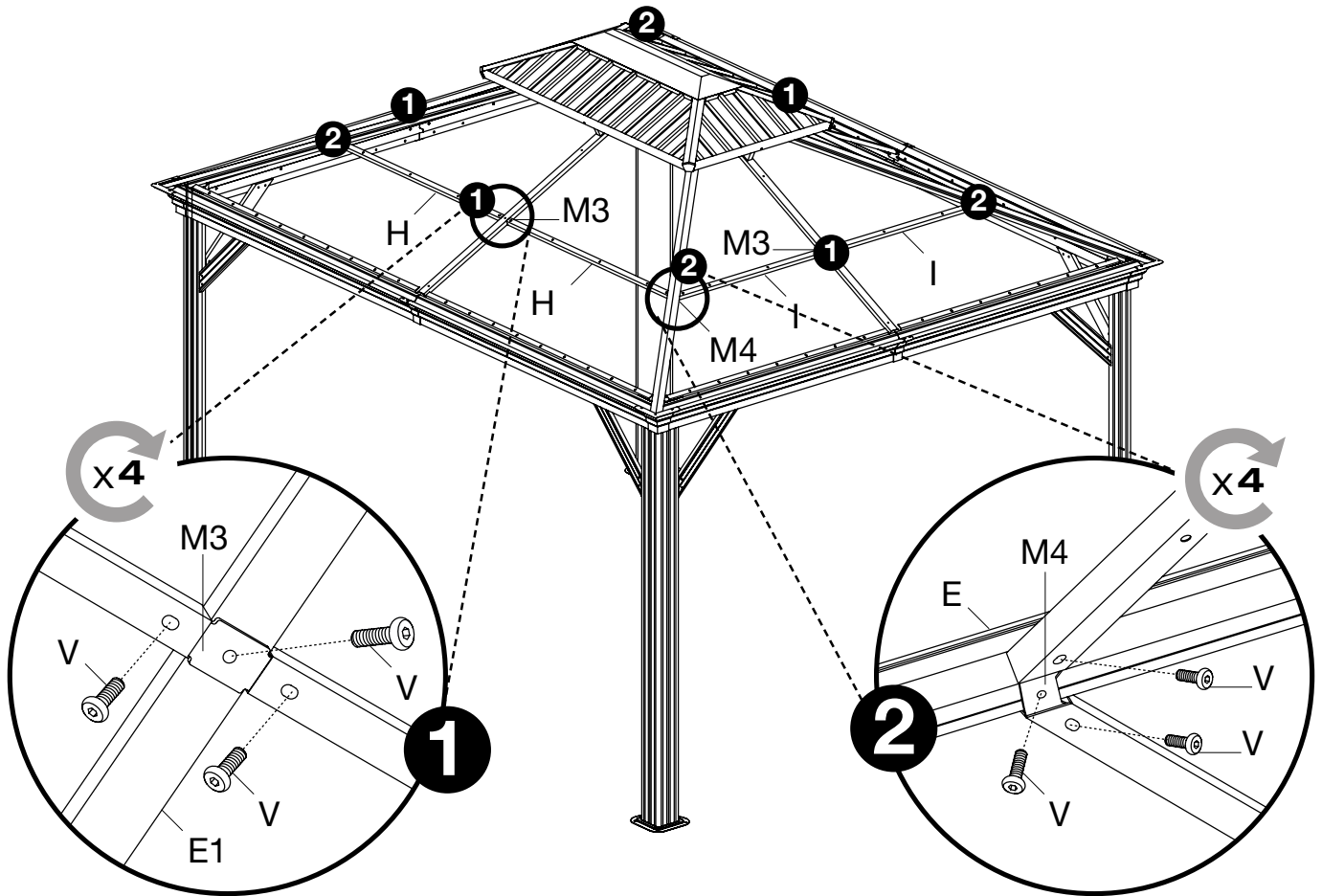


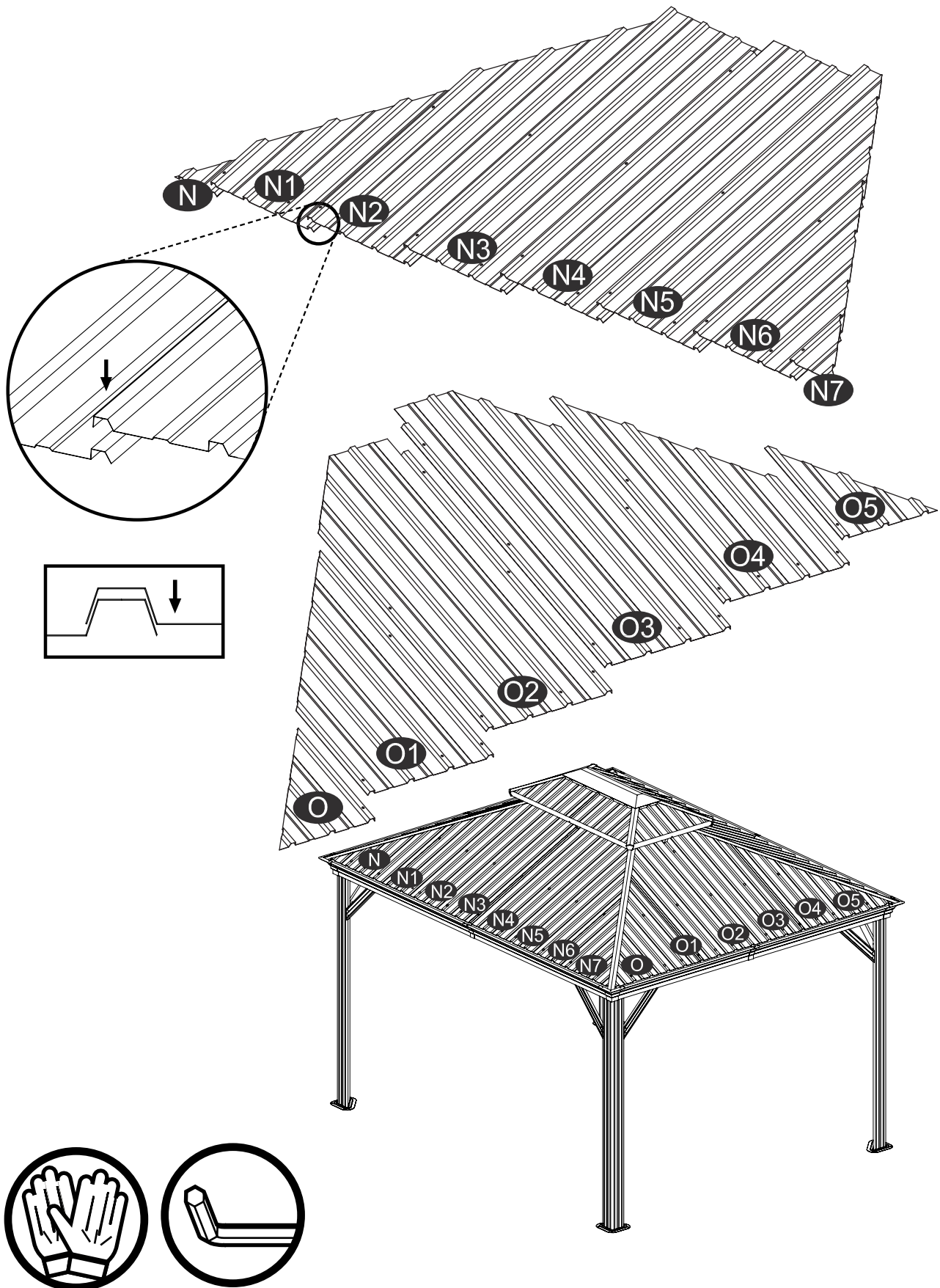


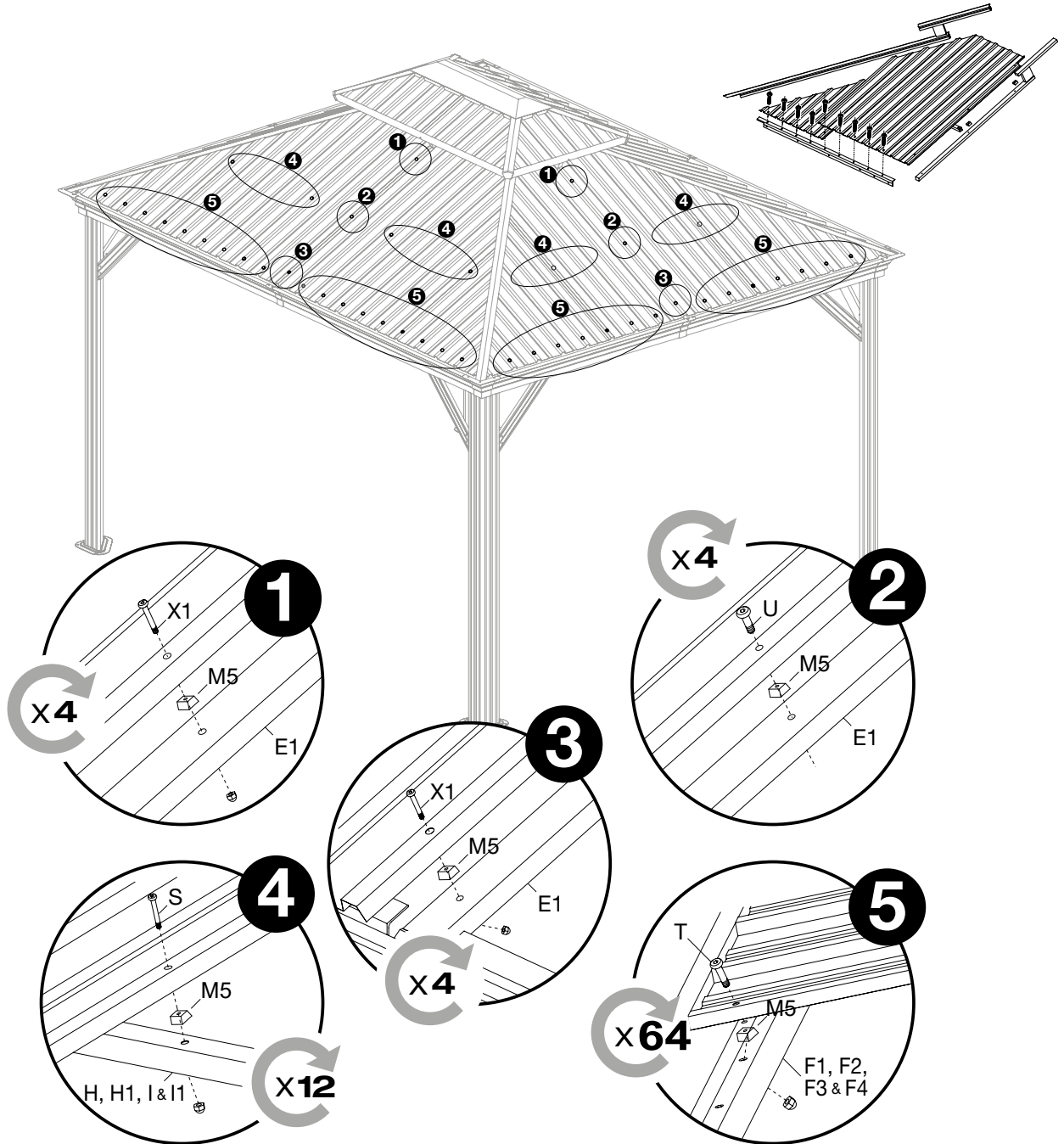
Parts list area showing dimensions and quantities for components:

- Jx2
- J1x2
- M2 x4
- V x8









Parts list and tool icons:

- Tx64**: A screw and a nut.
- Ux4**: A screw.
- M5x88**: A small rectangular block.
- X1x8**: A long screw and a nut.
- Sx12**: A long screw and a nut.
- Hand icon**: A pair of gloves.
- Wrench icon**: An L-shaped hex key.

