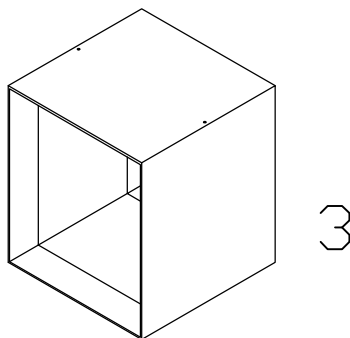
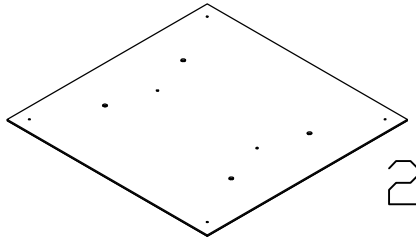
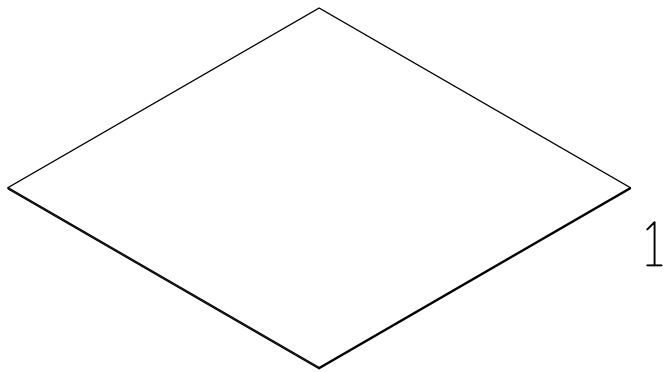
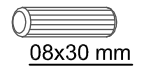


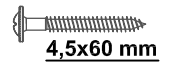
PARTS



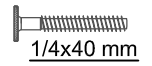
A



B



C



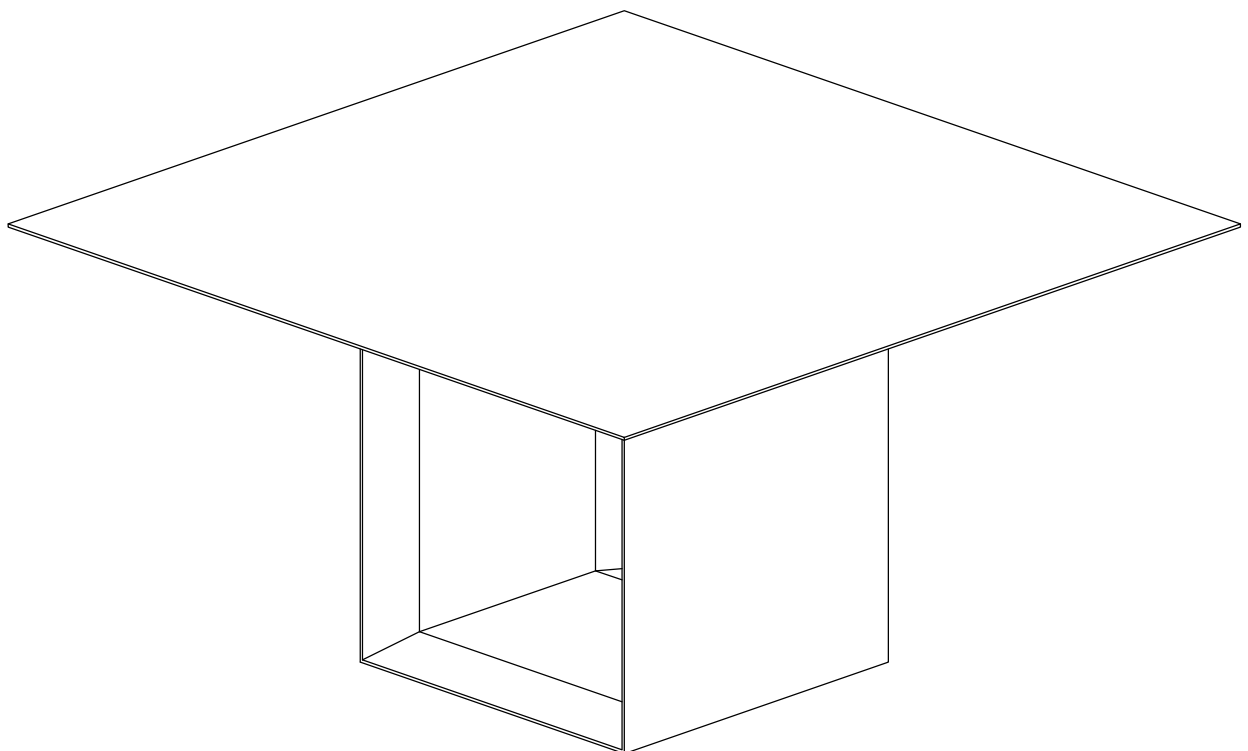
D

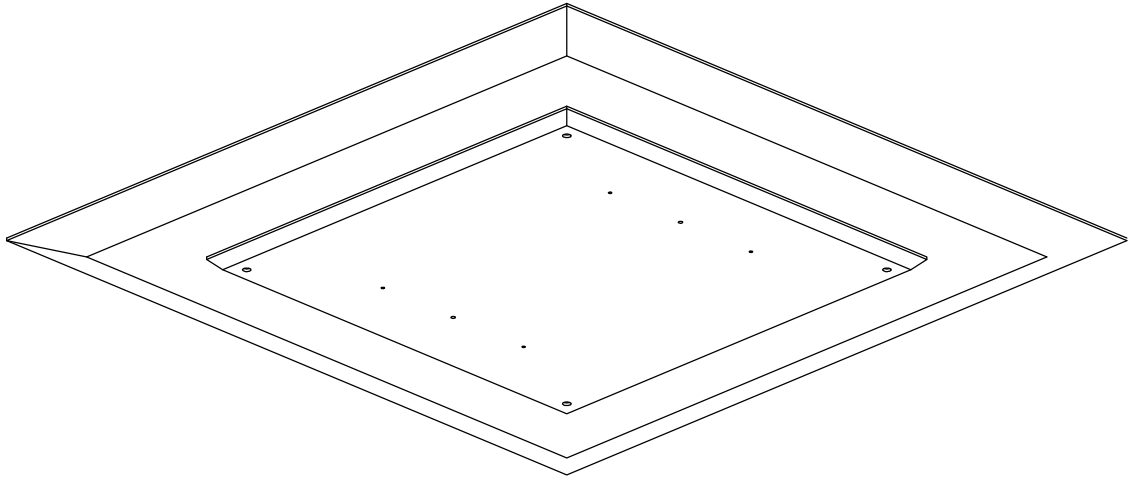


MODLOFT®

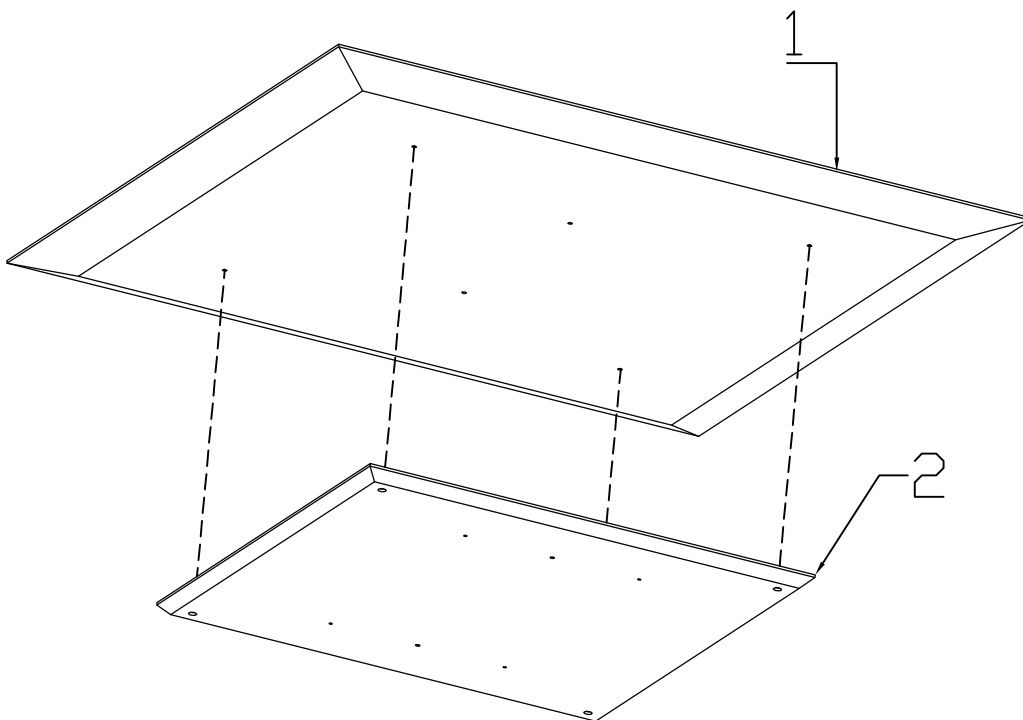
1810 NE 144 ST • NORTH MIAMI, FL • 33181
MODLOFT.COM

SQUARE GREENWICH DINING TABLE

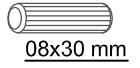




Unscrew the inset from the table top, the screws are needed further in the process.

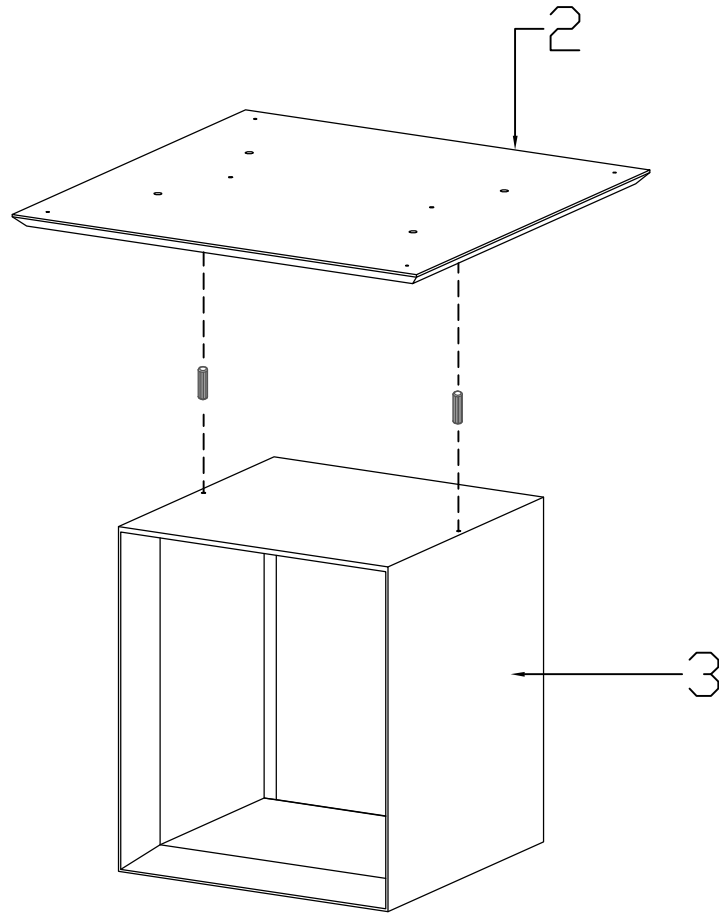


A

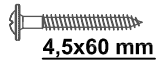


08x30 mm

02

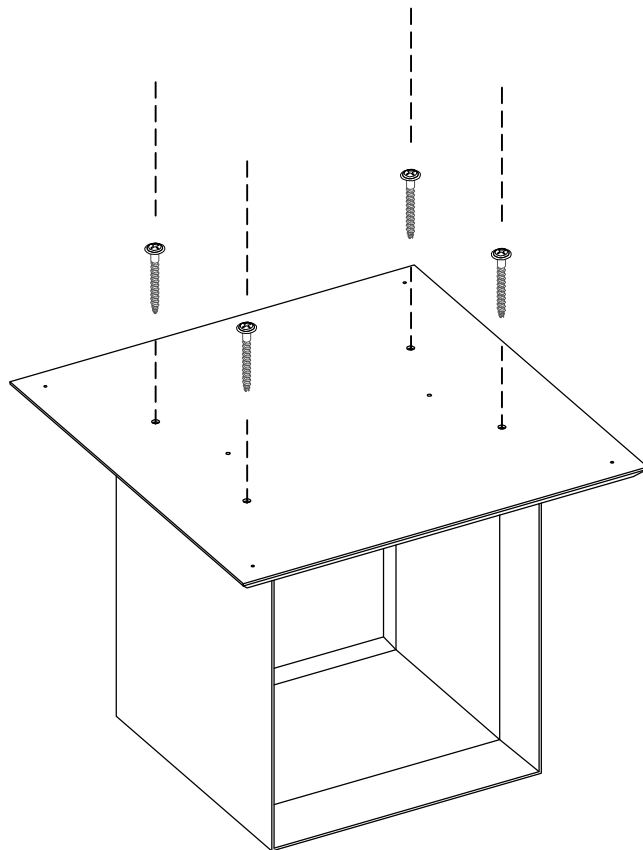


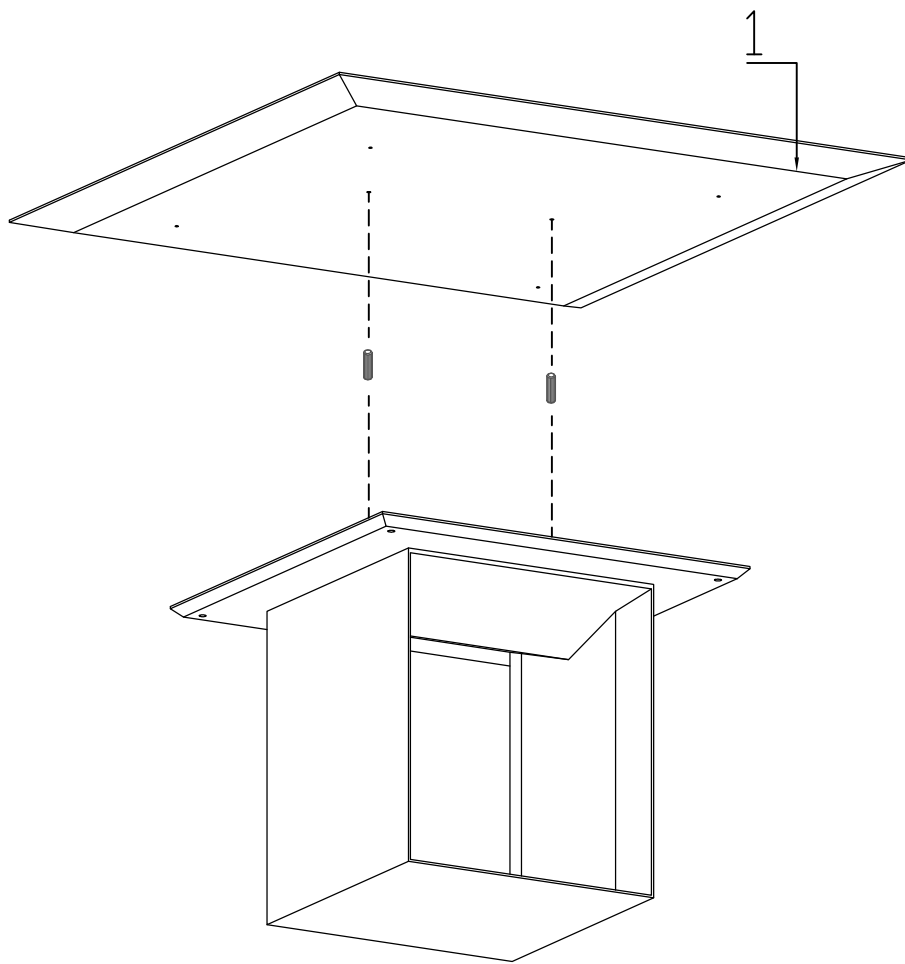
B




4,5x60 mm

04



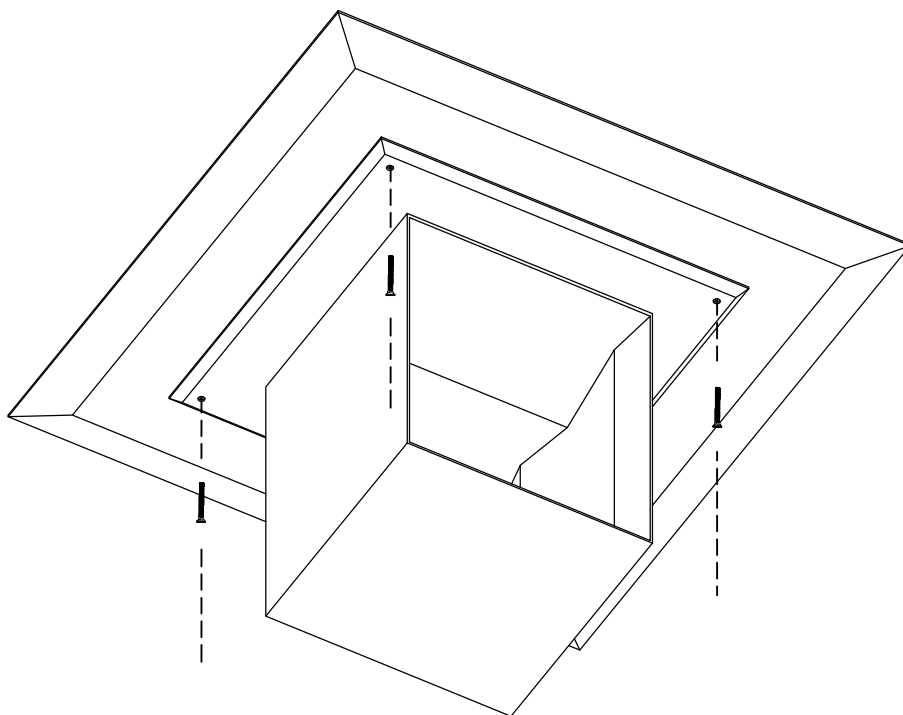


A




08x30 mm

02



C



1/4x40 mm

04