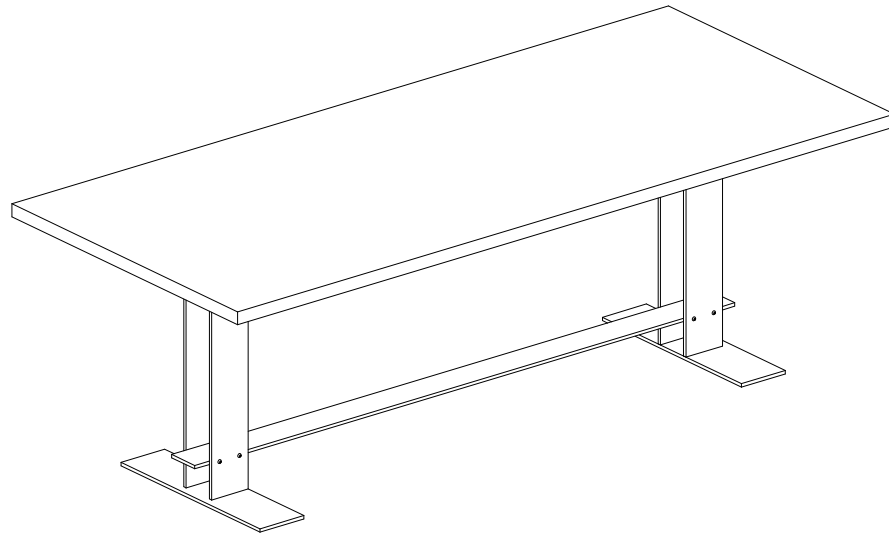


# **ASSEMBLY INSTRUCTIONS.**



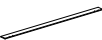
DINING TABLE






THANK YOU FOR YOUR PURCHASE!

# PARTS AND HARDWARE.

## PARTS LIST

NO.	DESCRIPTION	IMAGE	QTY
P1	TOP		1
P2	METAL LEG		2
P2	STRETCHER		1

## HARDWARES LIST

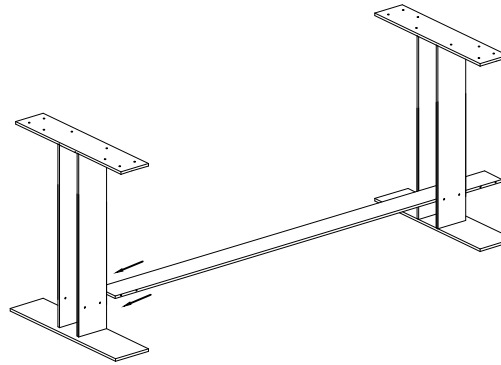
NO.	DESCRIPTION	IMAGE	QTY
H1	ALLEN BOLT		16
H2	ALLEN KEY		1
H3	ALLEN BOLT		8

## NOTES.

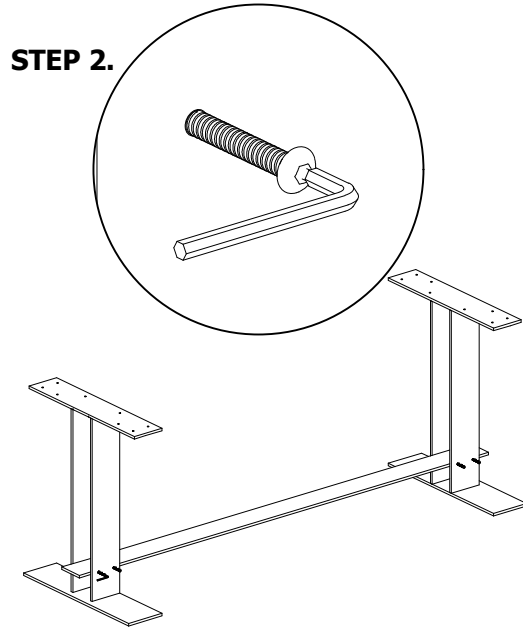
Thank you for purchasing this quality product! Be sure to check all packing material carefully for small part that may have come loose inside the carton during shipping.

**CAUTION:** The item is heavy, assembly should be performed by two people.

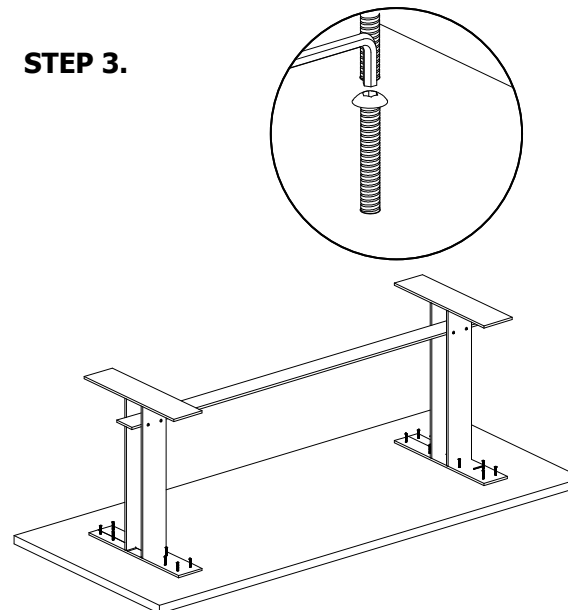
## STEP 1.



## STEP 2.



## STEP 3.



## STEP 4.

