



Parts and Damage Replacement Procedure

1. Please inspect your purchase immediately.
2. This procedure covers product purchased from an authorized Roundhill Reseller and was received in its originally sealed carton.
3. If you find a part missing or damaged, you have a 30-day window in which to order a replacement part from the date on your purchase receipt.
4. You have 3 ways to do this. You will need a copy of your purchase receipt.
 - a. By Fax: Fax the parts order form below and along with your receipt to 614-878-7918
 - b. By Email: Email the order form and along with your receipt to: parts@roundhillfurniture.com
 - c. By Mail: Fill out the parts order form below and along with a copy of your receipt send it to Roundhill furniture parts department 3640 Zane Trace Drive, Columbus OH 43228
5. Once this order is sent in, you will be notified if the part(s) you are requesting can or cannot be shipped within 7-10 business days.

**A COPY OF YOUR PURCHASE RECEIPT OR INVOICE MUST BE ATTACHED TO THIS ORDER FORM.
NO ORDERS WILL BE PROCESSED WITHOUT PROOF OF PURCHASE.**

NAME: _____
 ADDRESS: _____ (No Post Office Boxes)
 CITY: _____ STATE: _____ ZIP: _____
 PHONE: _____ FAX: _____
 EMAIL: _____

REASON FOR REPLACEMENT/PLEASE CHECK APPROPRIATE BOX.

- Damaged /scratched, cracked, broken, crushed, etc.
- Mechanical malfunction/ drawer glides, swivel mechanisms, lid stays, etc.
- Missing pieces
- Unfinished surface
- Wrong color
- Other

IF MORE THAN ONE MODEL NUMBER IS LISTED ABOVE, PLEASE SPECIFY THE EXACT MODEL NUMBER OF YOUR ITEM IN THE SPACE PROVIDED BELOW.

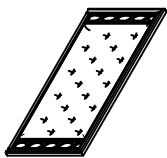
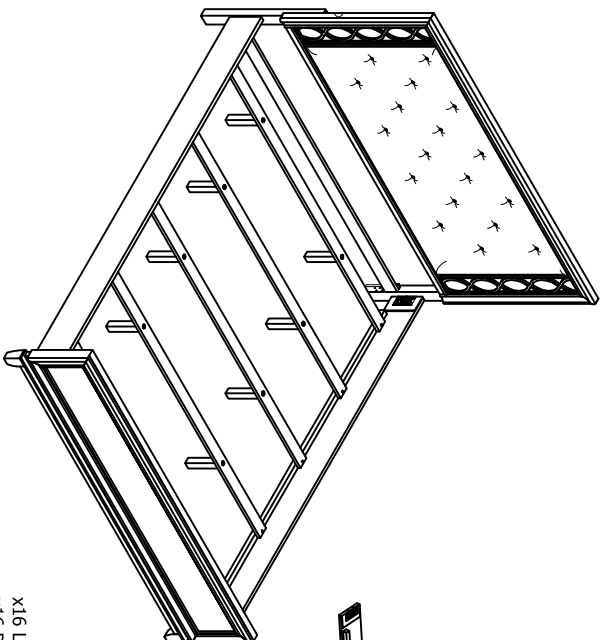
Model Number	Part Letter Code	Quantity



PARTS LIST / LISTE DES PIÈCES / LISTA DE PIEZAS

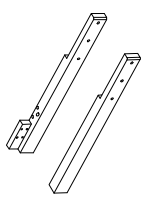
ITEM / NO D'ARTICLE / ARTICULO : S808-270/271/400

DESCRIPTION / DESCRIPTION: KING BED / TRÈS GRAND LIT / CAMA TAMAÑO KING



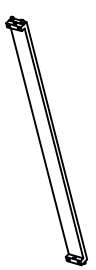
A

x1 Headboard panel
x1 Tête de lit
x1 Panel de la cabecera



B

x1 Headboard Legs (Left & Right) *
x1 Pattes de la tête de lit (gauche et droite)
x1 Patas de cabecera (izquierda y derecha)



C

x1 Safety Rail *
x1 Garde-corps
x1 Baranda de seguridad



D

x1 Footboard Panel
x1 Pied de lit
x1 Panel de pie de cama



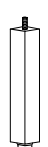
E

x2 Side Rail
x2 Traverse
x2 Travesaño lateral



F

x5 Slats *
x5 Bancs de lit
x5 Listones



G

x10 Center leg *
x10 Pattes centrales
x10 Patas centrales



1

x8 Allen bolt Ø5/16"x45mm *
x8 Vis à tête creuse hexagonale Ø5/16"x45mm
x8 Perno Allen Ø5/16"x45mm



2

x16 Lock washer Ø5/16" *
x16 Rondelle de blocage Ø5/16"
x16 Arandela de Seguridad Ø5/16"



3

x8 Flat Washer Ø5/16"x19x1.5mm *
x8 Rondelle plate Ø5/16"x19x1.5mm
x8 Arandela plana Ø5/16"x19x1.5mm



4

x8 Flat Washer Ø5/16"x16x1.5mm *
x8 Rondelle plate Ø5/16"x16x1.5mm
x8 Arandela plana Ø5/16"x16x1.5mm



5

x1 Allen Key 4mm *
x1 Clé hexagonale 4mm
x1 Llave Allen 4mm



6

x8 Hanger bolt Ø5/16x 88mm *
x8 Boulon-vis Ø5/16x 88mm
x8 Perno de suspensión Ø5/16x 88mm



7

x8 Nut Ø5/16"x13x8mm *
x8 Écrou Ø5/16"x13x8mm
x8 Tuerca Ø5/16"x13x8mm



8

x1 Wrench key 13mm *
x1 Clé 13mm*88mm
x1 Llave inglesa 13mm*88mm



9

x10 Wood Screw #8x35mm *
x10 Vis à bois #8x35mm
x10 Tornillo para madera #8x35mm

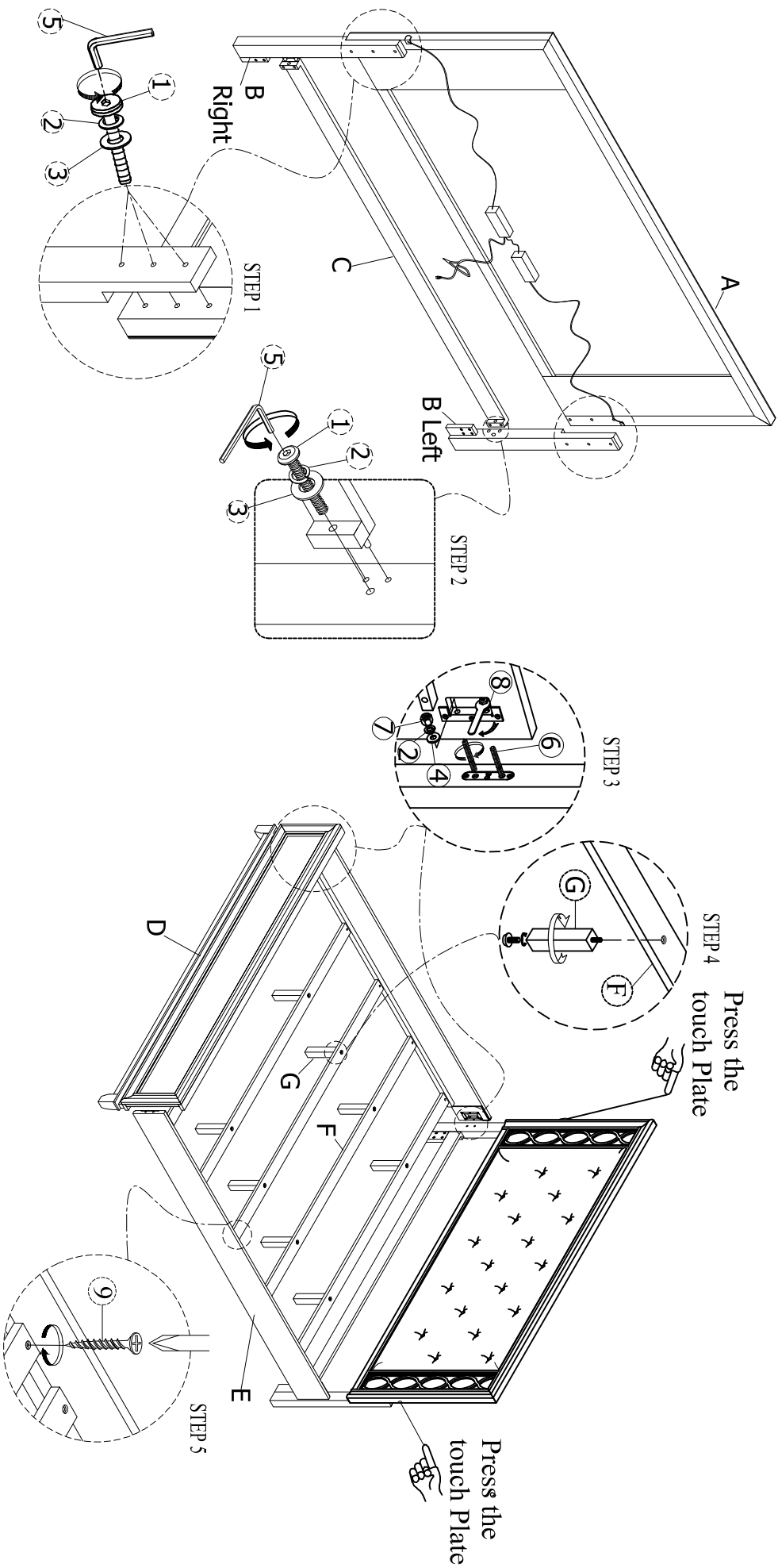
* Replaceable Part



ASSEMBLY INTRUCTIONS / NOTICE DE MONTAGE / INSTRUCCIONES DE MONTAJE

ITEM / NO D'ARTICLE / ARTICULO : S808-270/271/400

DESCRIPTION / DESCRIPTION: KING BED / TRÈS GRAND LIT / CAMA TAMAÑO KING

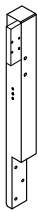
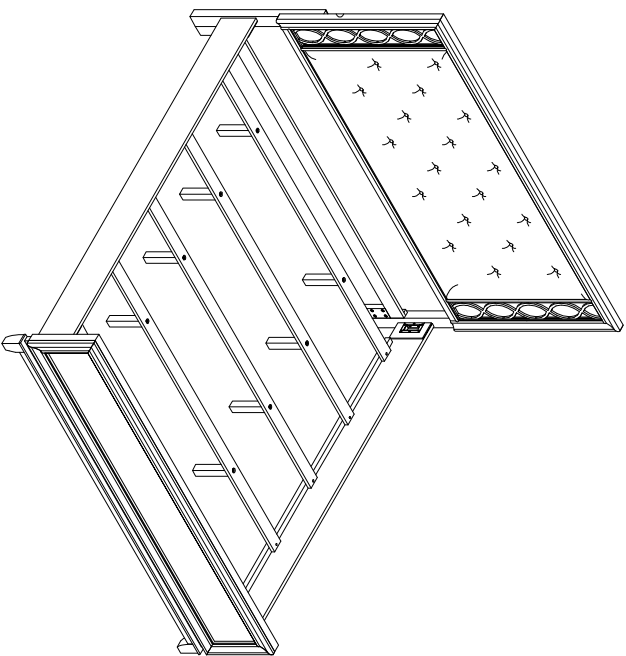




REPLACEABLE PART / PARTIE REMPLAÇABLE / PARTE REEMPLAZABLE

ITEM / NO D'ARTICLE / ARTICULO : S808-270/271/400

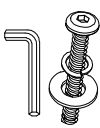
DESCRIPTION / DESCRIPTION: KING BED / TRÈS GRAND LIT / CAMA TAMAÑO KING



x1 RS808-250-LEGL - Left Leg *
Patte de gauche
Pata izquierda



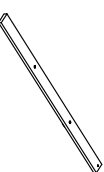
x1 RS808-250 - LEGR -Right Leg *
Patte de droite
Pata derecha



x1 RS808-250 HWKIT-Hardware kit list *
Liste des pièces de quincaillerie
Lista del kit de materiales



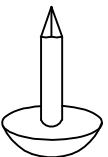
x1 RS808-270- RAIL- Safety Rai *
Garde-corps
Baranda de seguridad



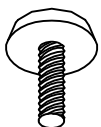
x5 RS808-271- SLAT-Slat *
Lattes
Listones



x10 RS808-251- SULEG -Center leg*
Pattes centrales
Patas centrales



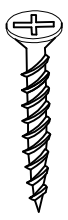
x4 RC-WH-NAIL - White plastic nail
Clou en plastique
Clavo de plástico



x10 RC-FG-BLACK- Black leveler
Patin réglable
Nivelador ajustable



x1 RS808-250-LIGHT-Light
Luminaire
Lámpara



x10 RS808-251- SCREW-Screw *
Vis à bois
Tornillo para madera

* Replaceable Part