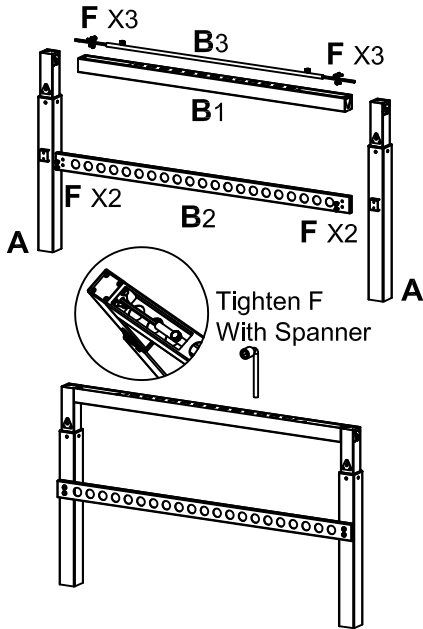


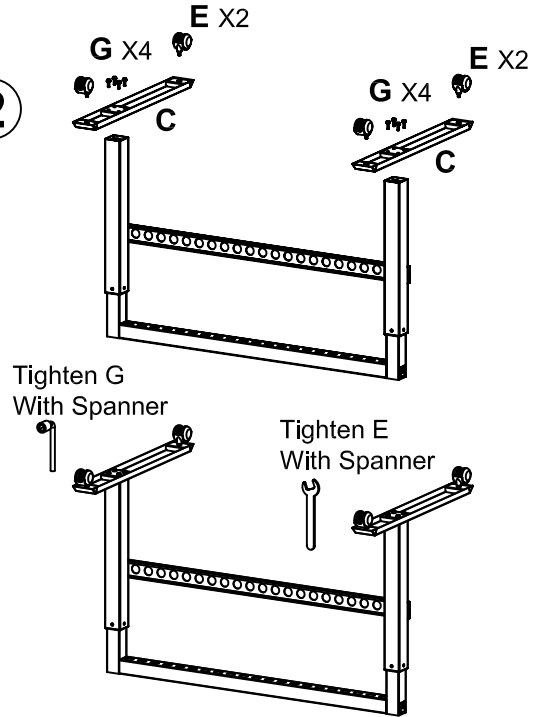
Assembly Instructions

Parts List						Tools				
A X2	B1 X1	B2 X1	B3 X1	C X2	D1 X1	D2 X1	E X4	F X22	G X8	H X1

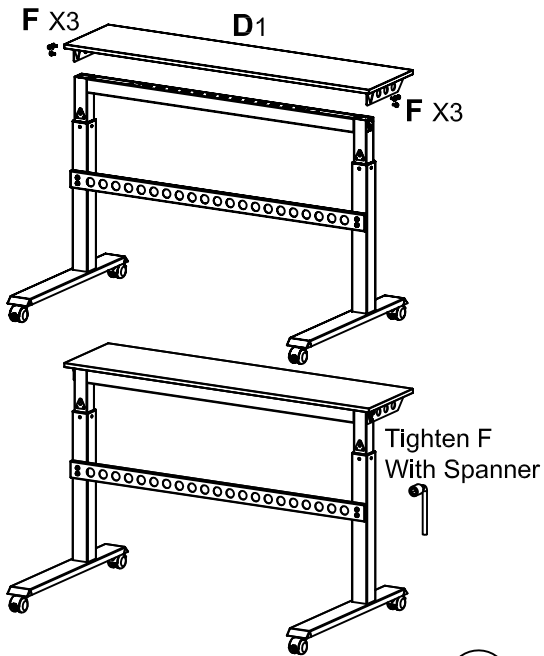
1



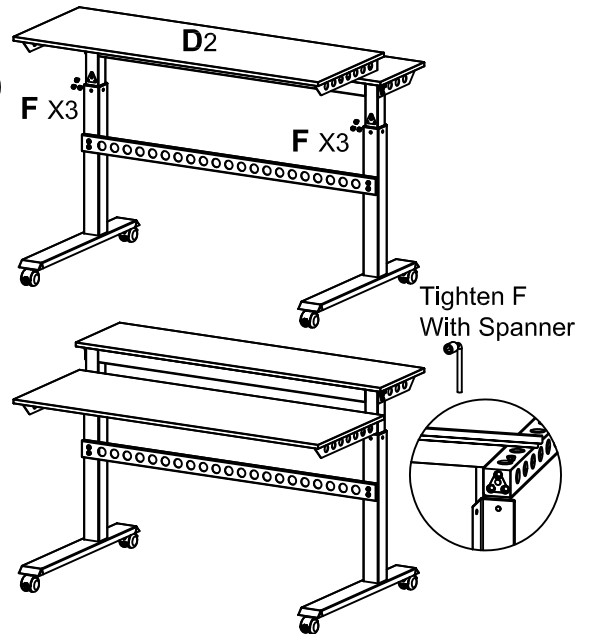
2



3



4



5

