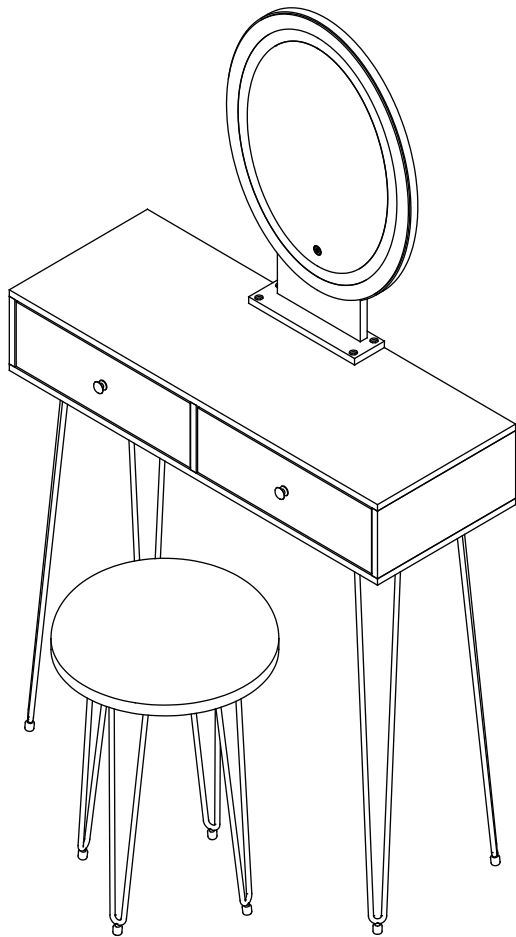
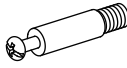

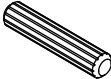
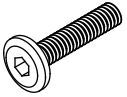
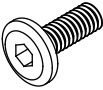
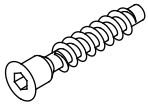
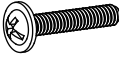
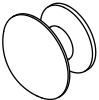
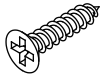
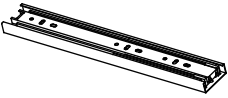
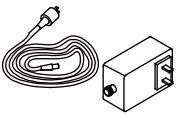



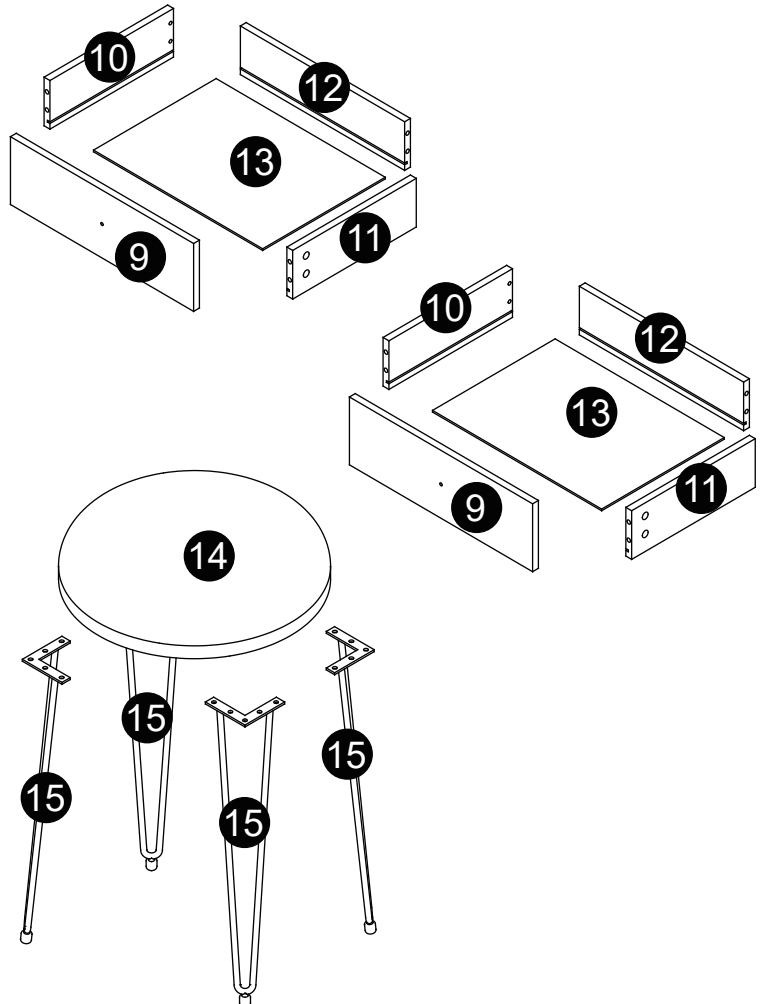
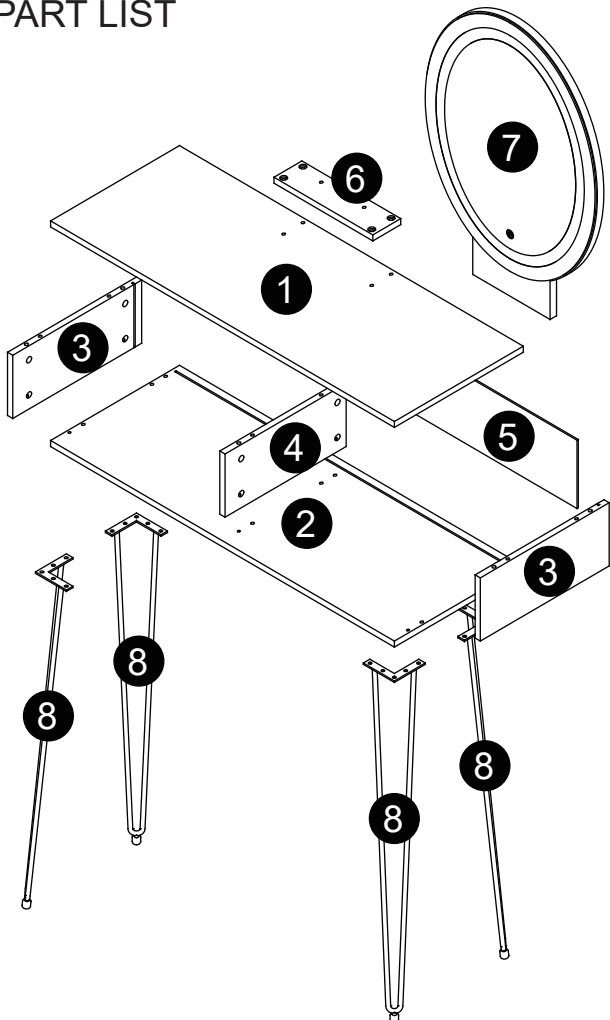
Assembly Instructions



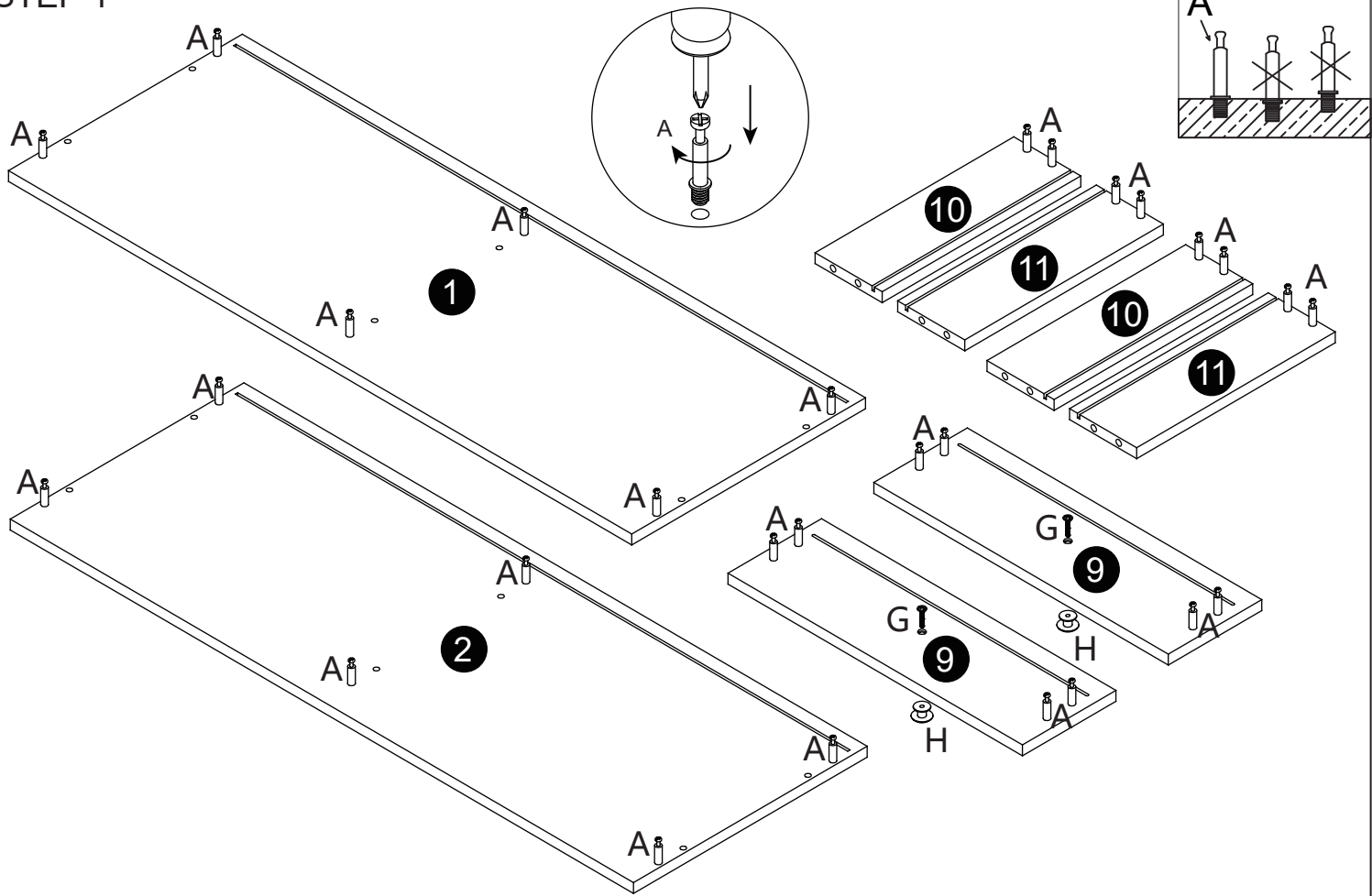
HARDWARE LIST

Ax28 	Bx28 
Cx12 	Dx4 
Ex40 	Fx2 
Gx2 	Hx2 
Ix16 	Jx4 
Kx1 	Lx1 

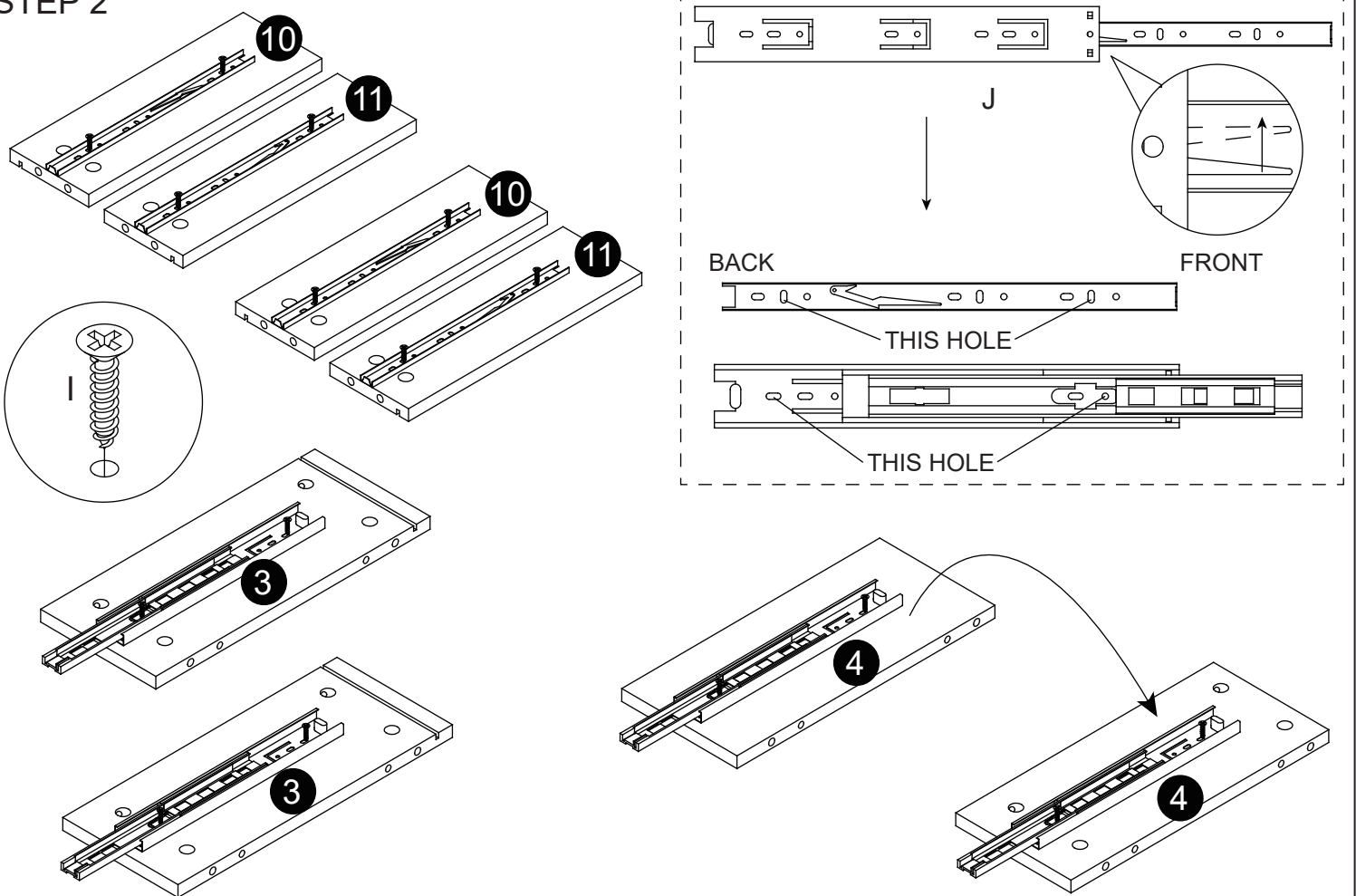
PART LIST



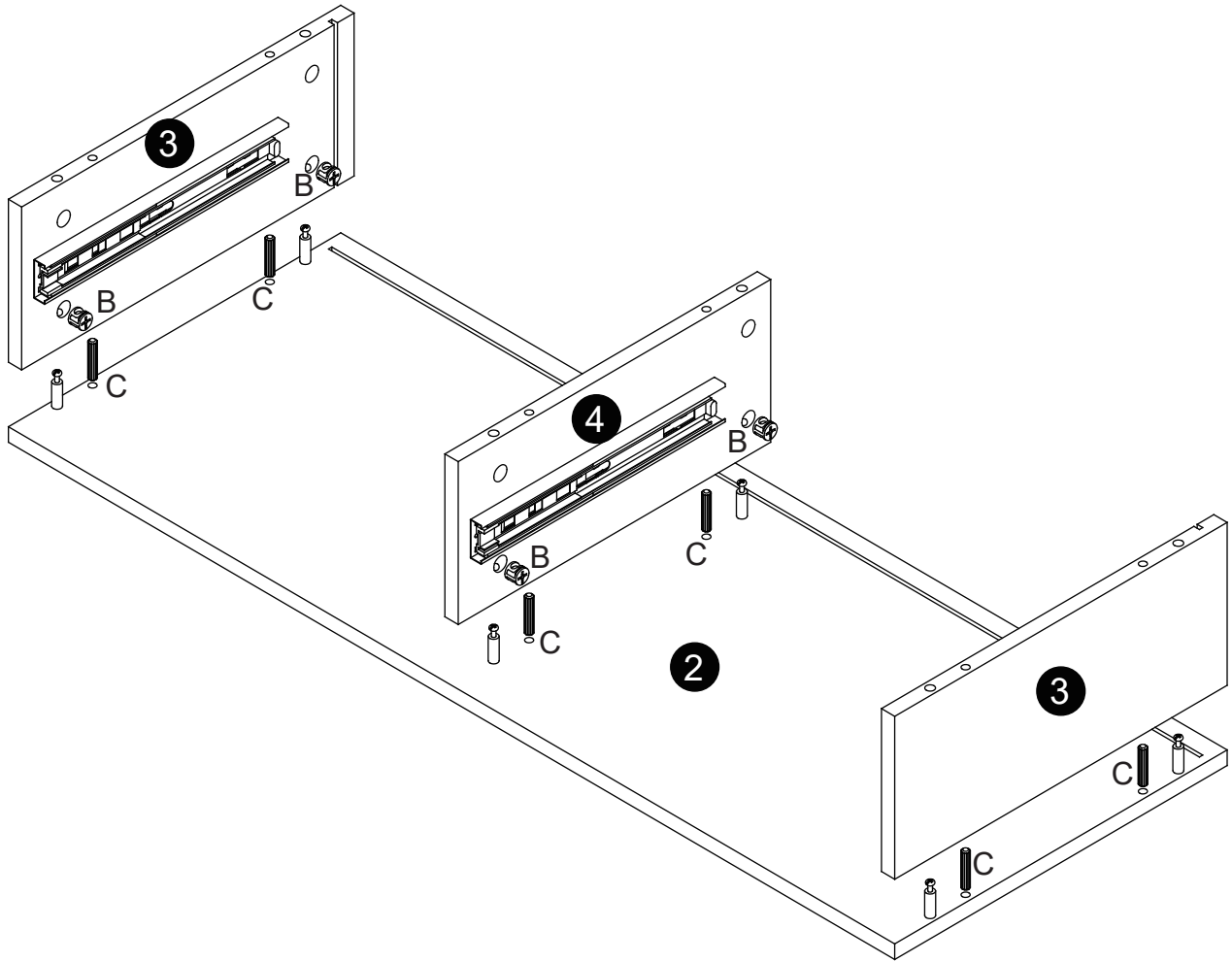
STEP 1



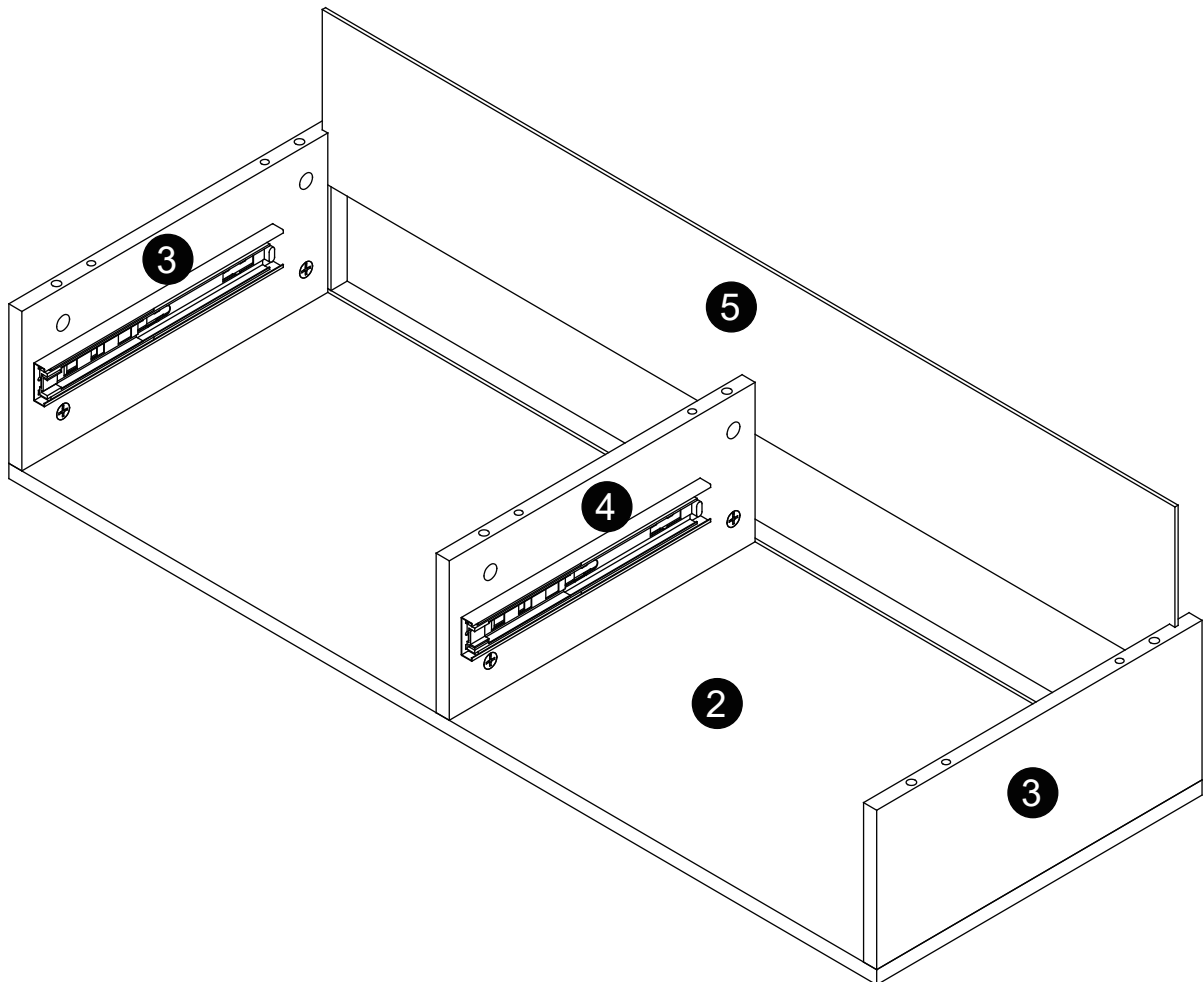
STEP 2



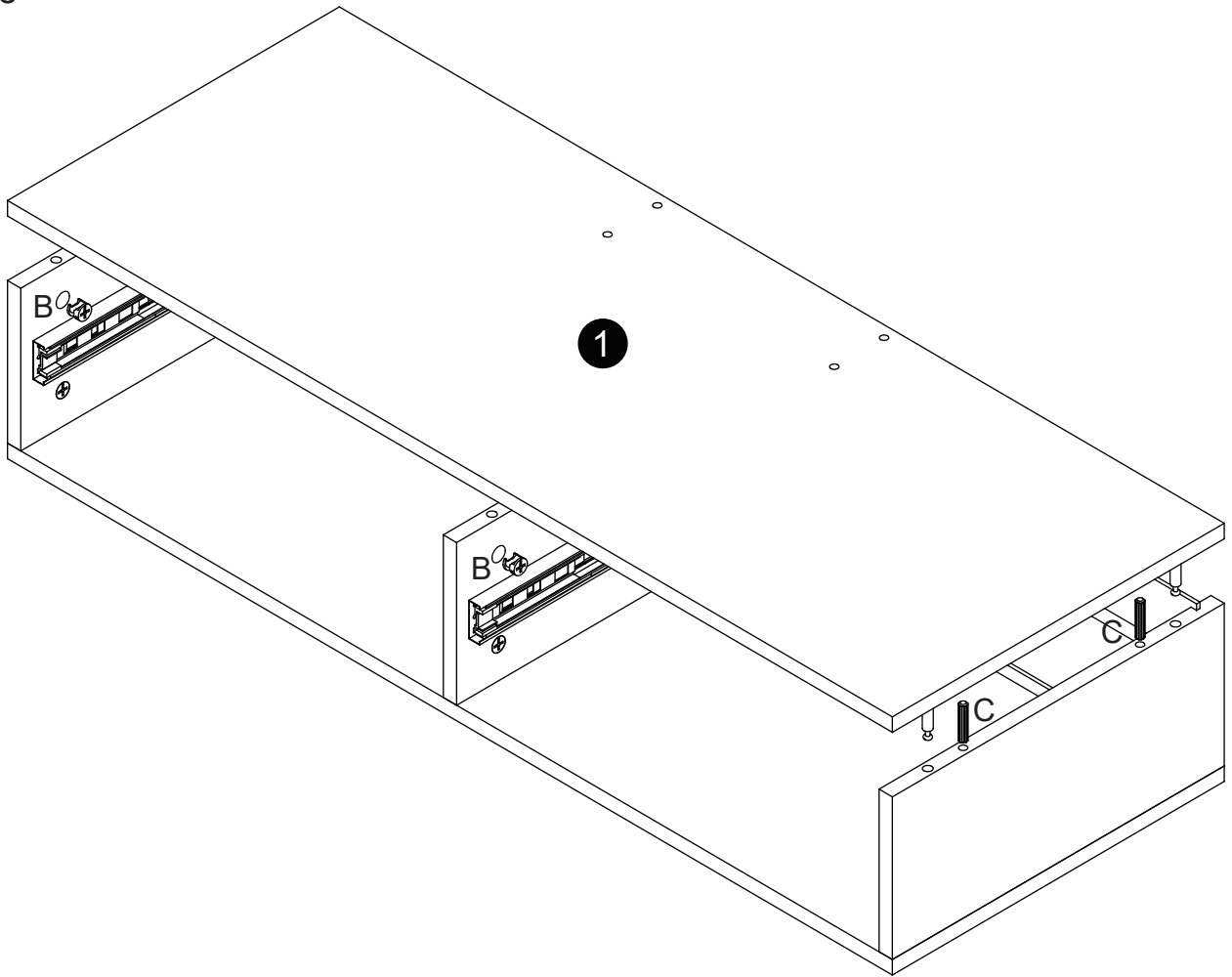
STEP 3



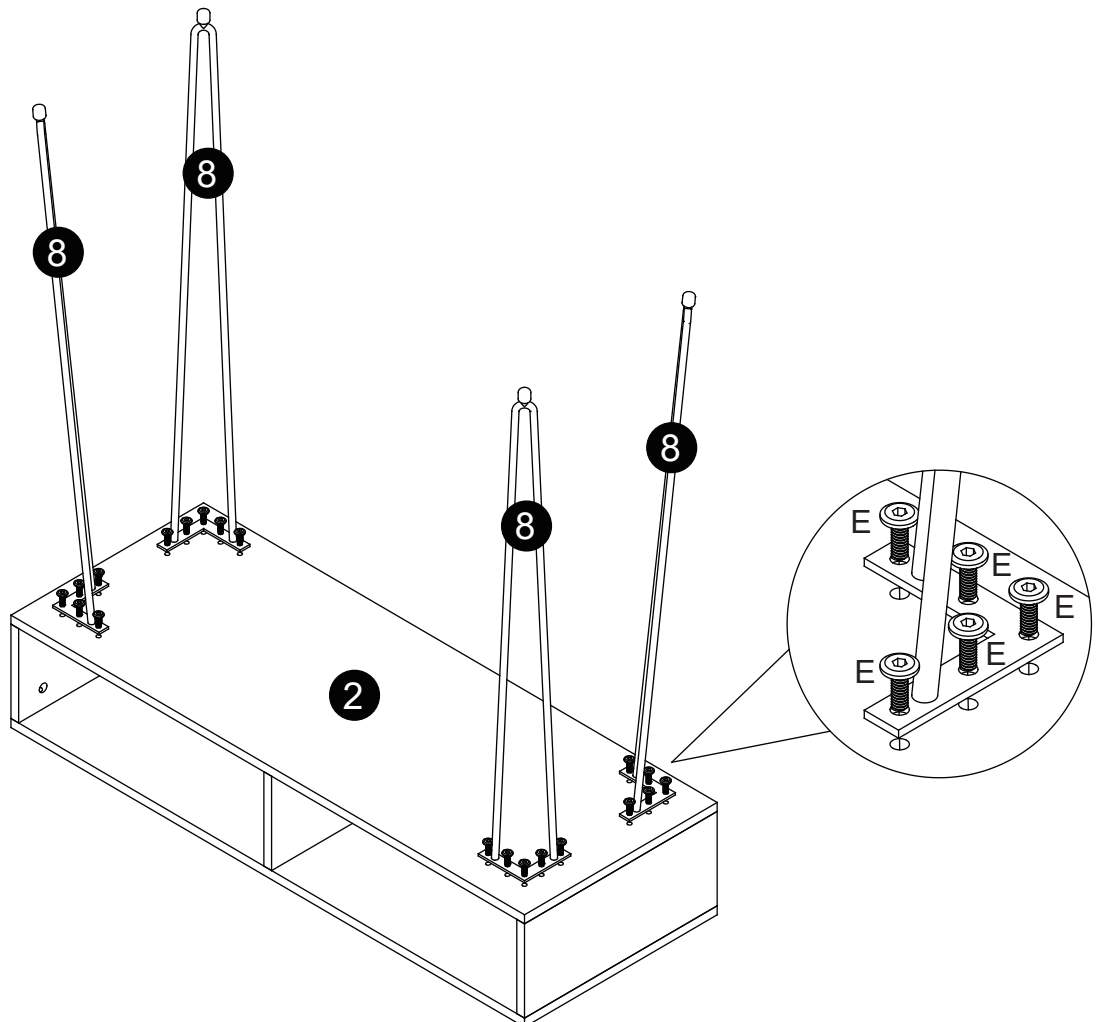
STEP 4



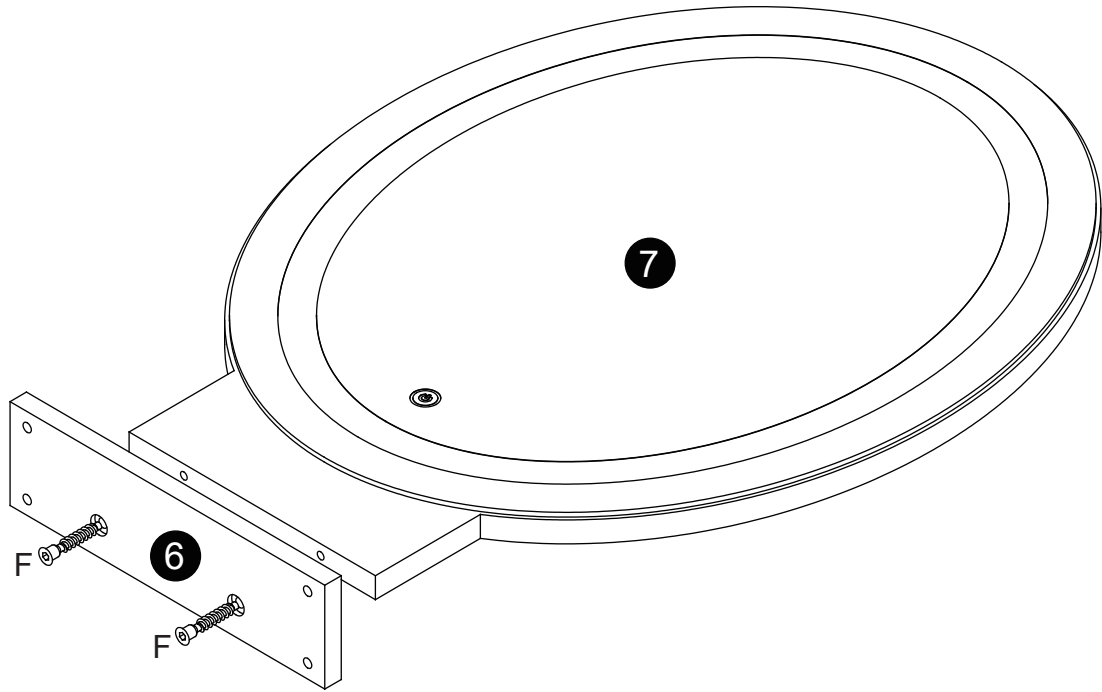
STEP 5



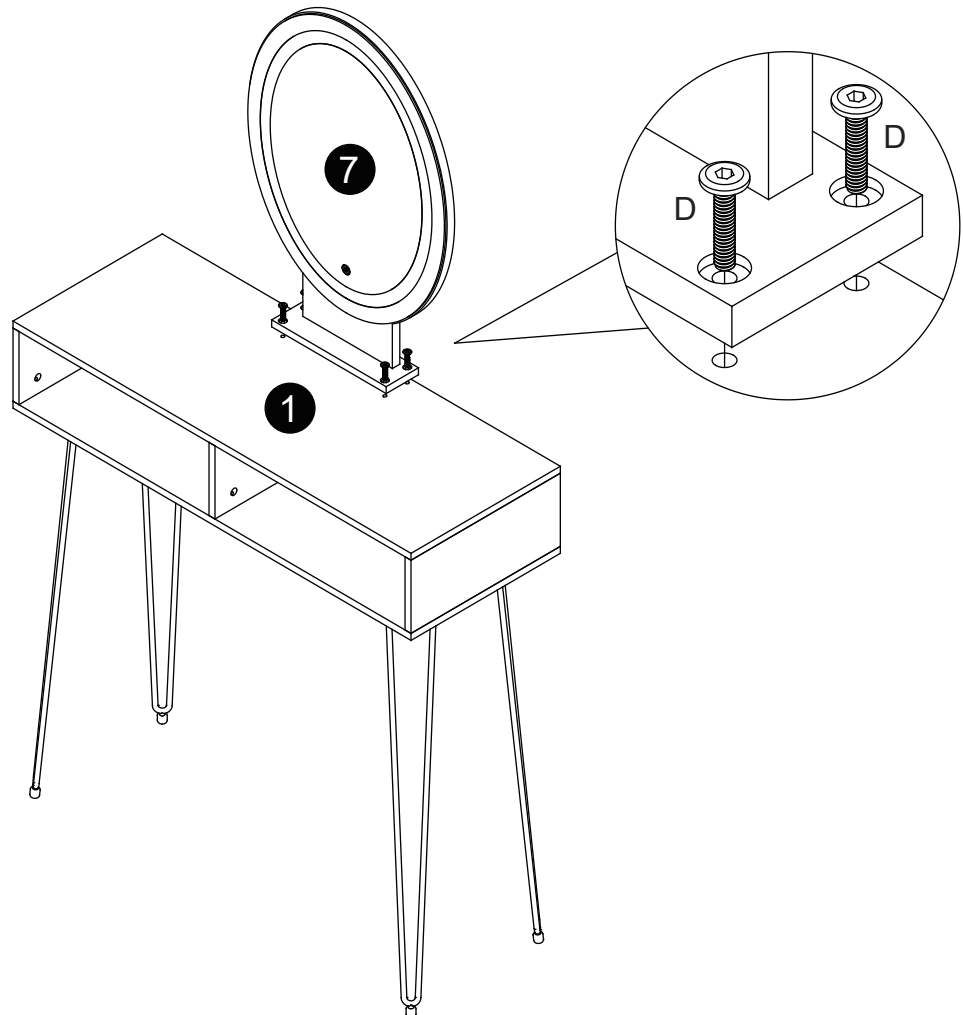
STEP 6



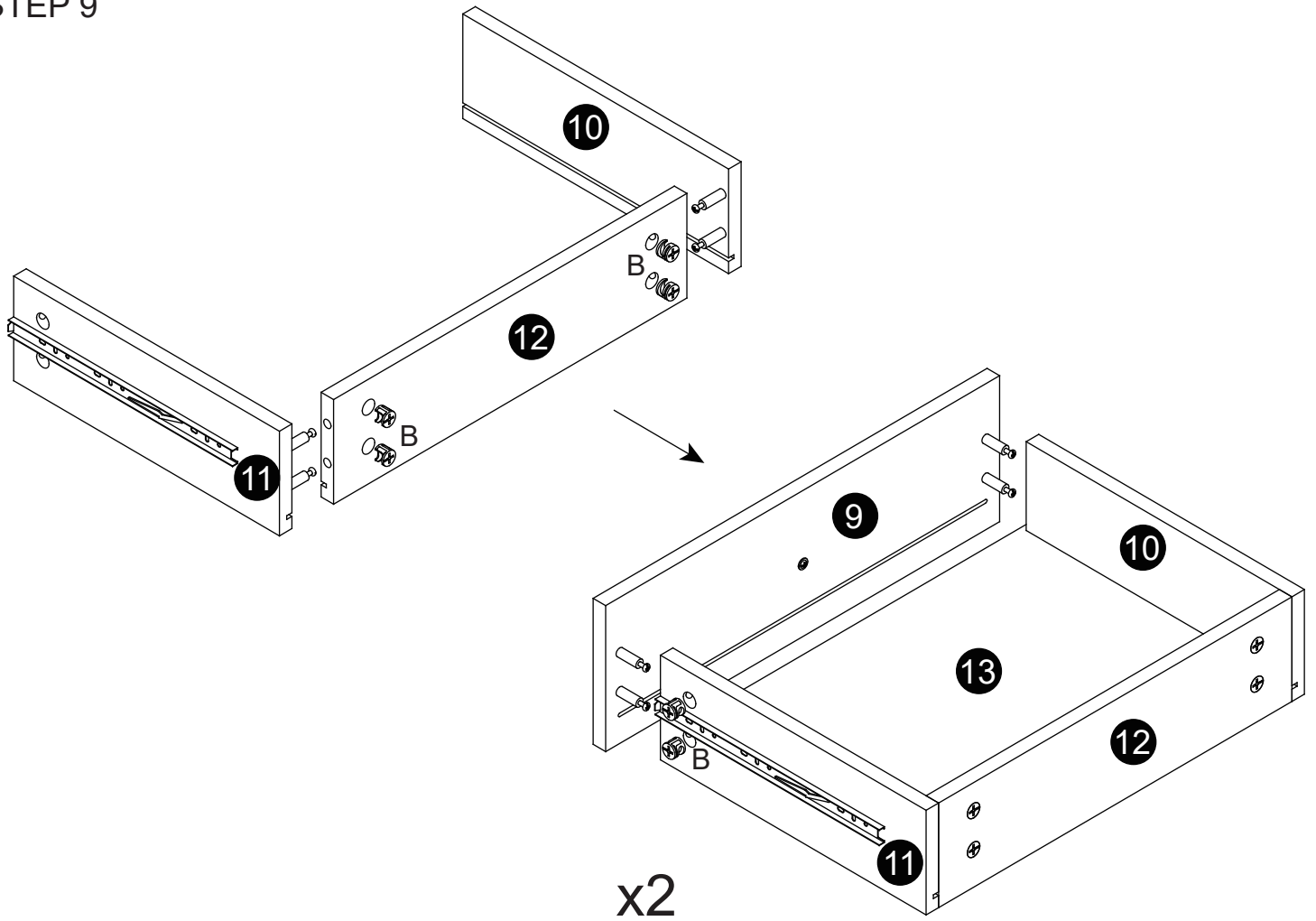
STEP 7



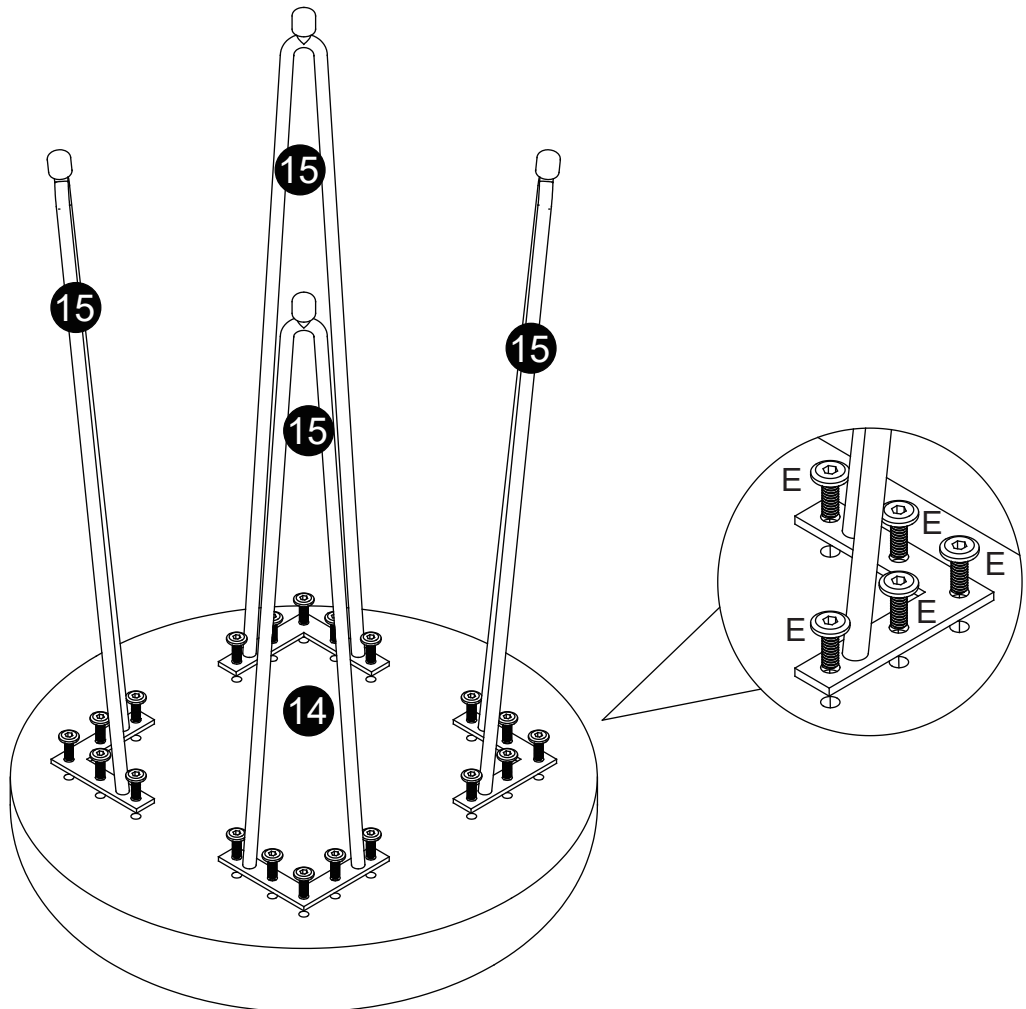
STEP 8



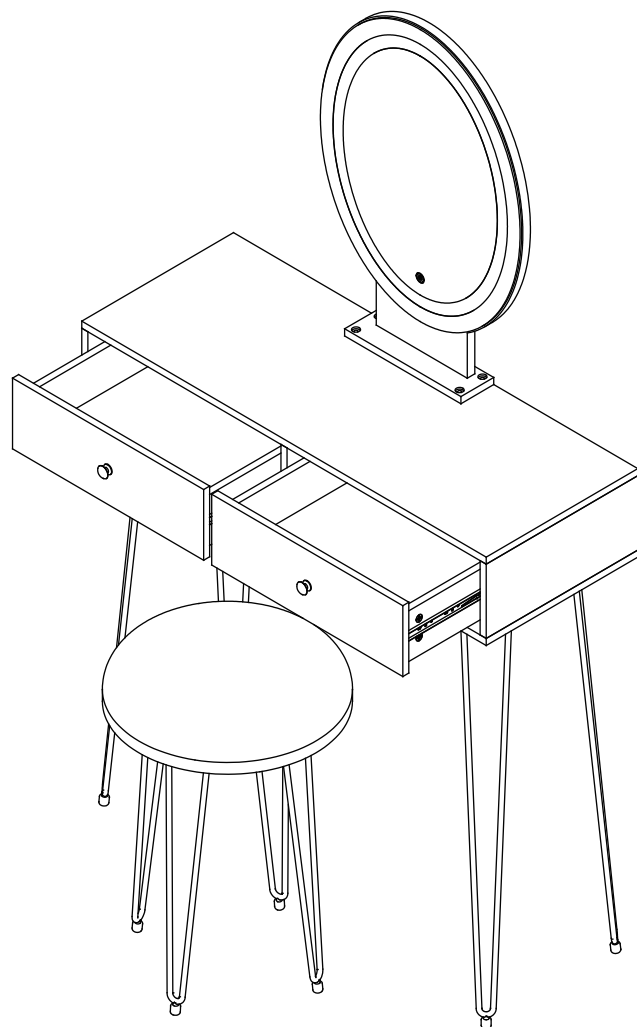
STEP 9



STEP 10



STEP 11



STEP 12

