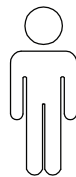
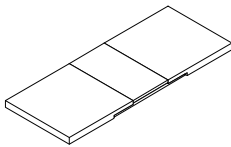
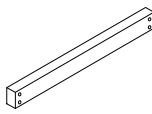
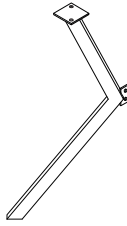
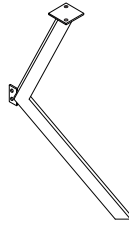

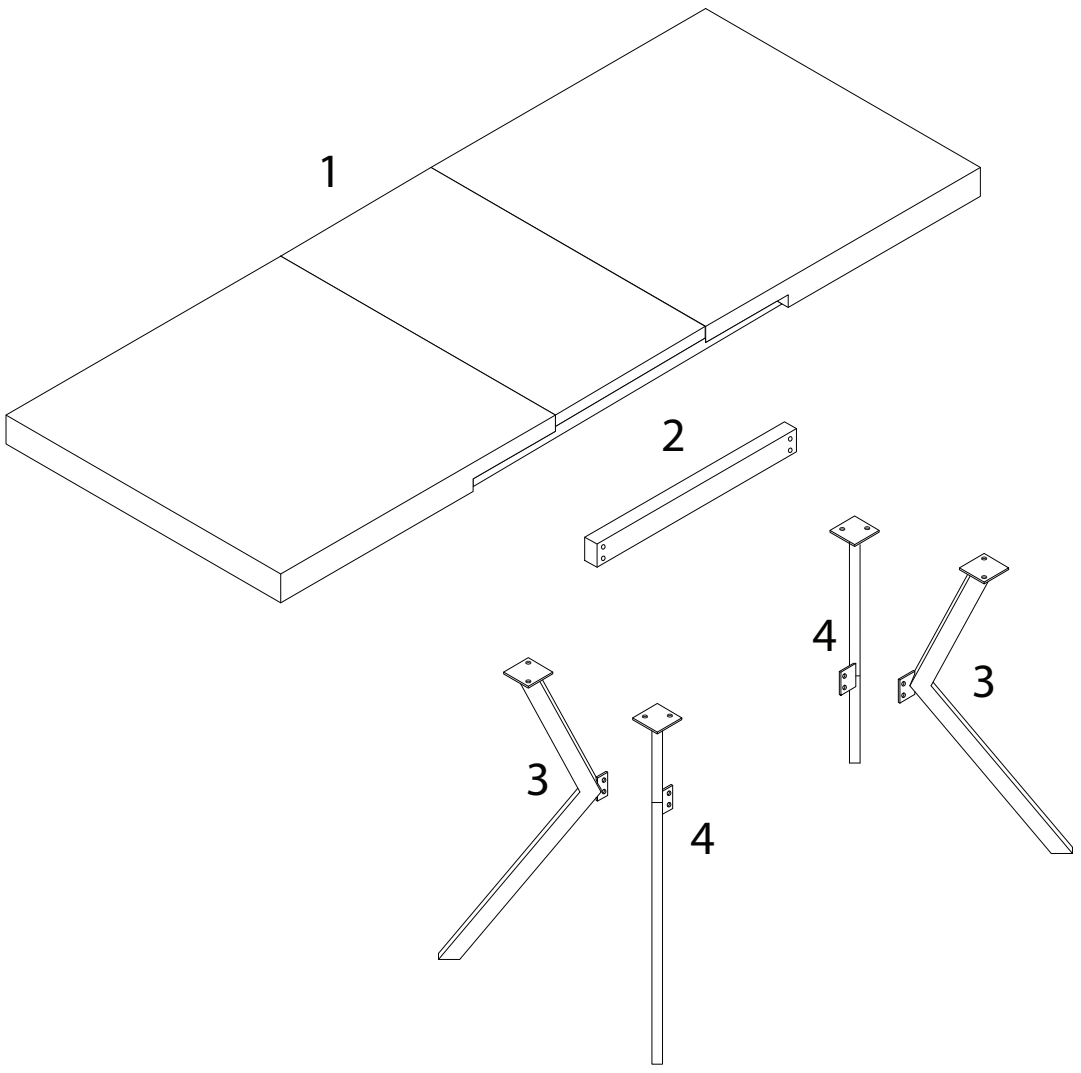
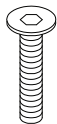
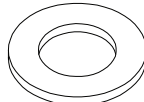

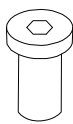
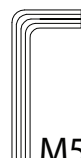
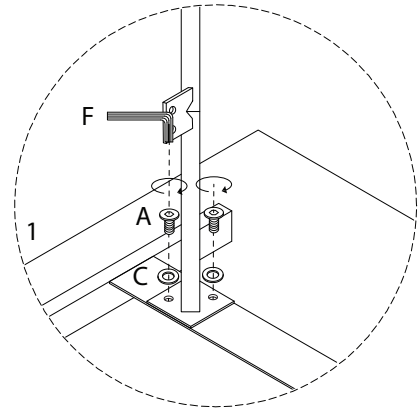
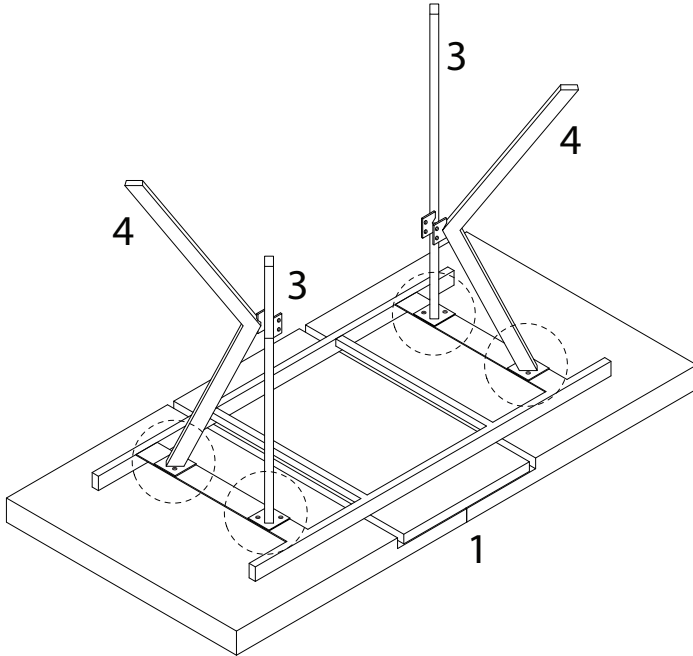
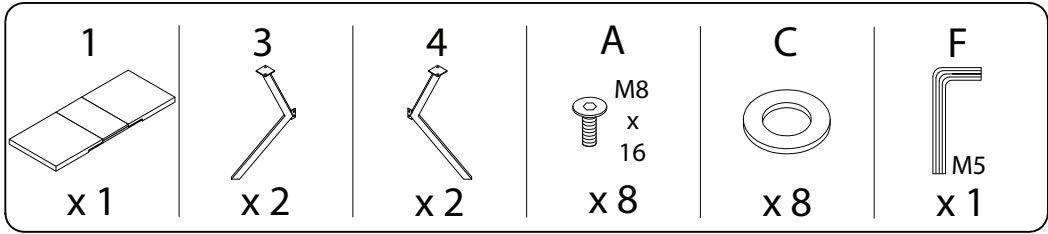
	<p>20'</p>
		
		<p>2</p>

<b>1</b>  <b>x 1</b>	<b>2</b>  <b>x 1</b>	<b>3</b>  <b>x 2</b>	<b>4</b>  <b>x 2</b>	<b>A</b>  <b>M8 x 16</b> <b>x 8</b>
---	---	---	--	---

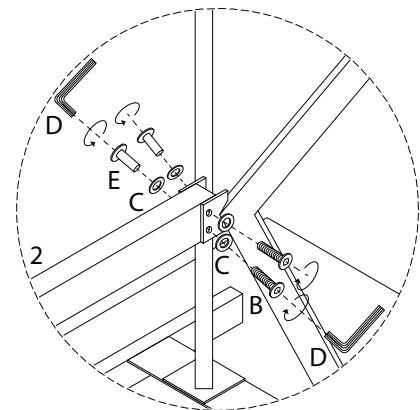
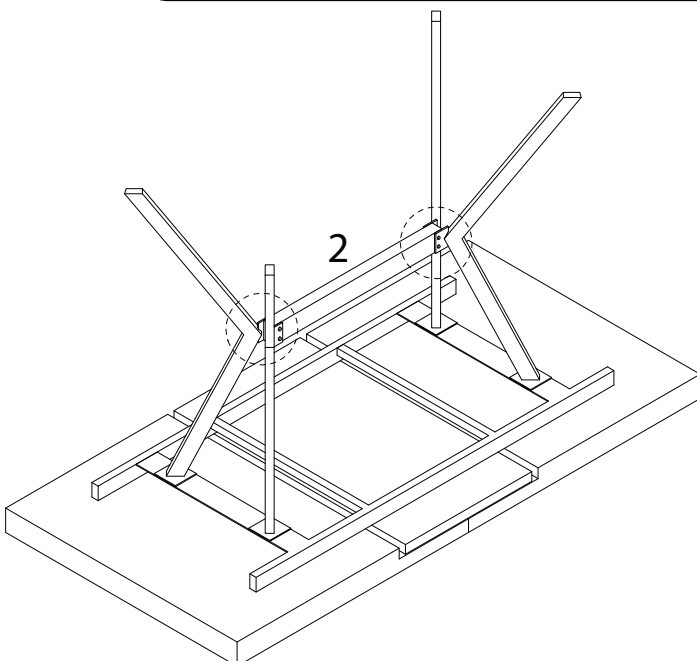
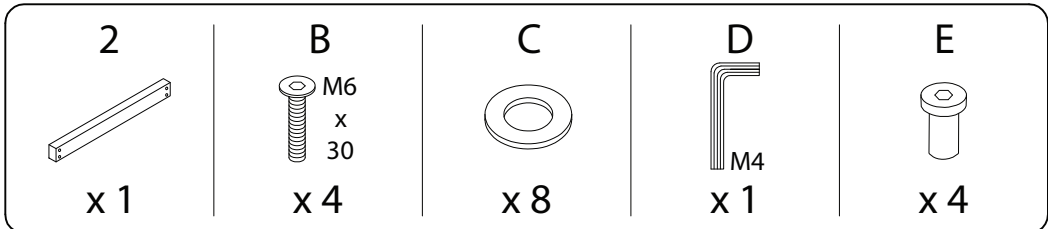


<b>B</b>  <b>M6 x 30</b> <b>x 4</b>	<b>C</b>  <b>x 16</b>	<b>D</b>  <b>M4</b> <b>x 1</b>	<b>E</b>  <b>x 4</b>	<b>F</b>  <b>M5</b> <b>x 1</b>
---	--	--	---	--

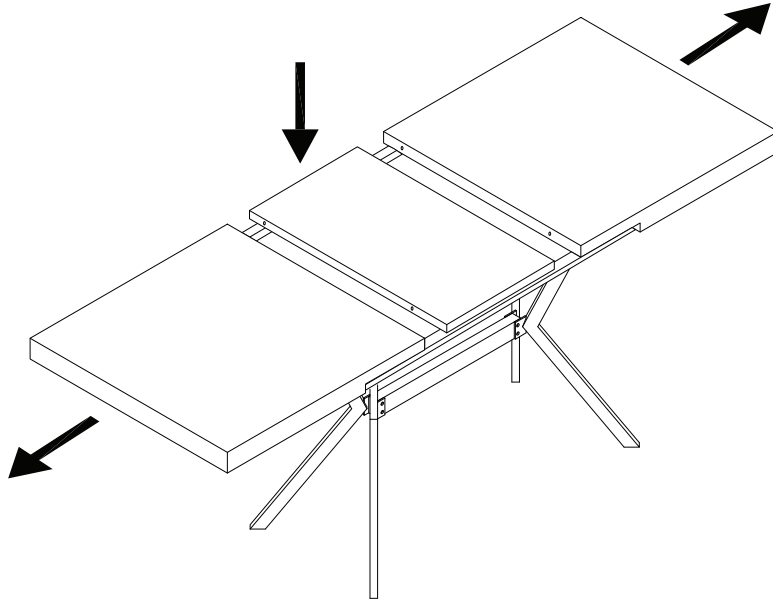
1



2



!



!

