

User Manual

Solar Street Light with Galvanized Steel Pole and 20 x20 Base

For FAQs and More information,
please contact us.

Use and Maintenance

- For first-time use, please press the power button to test if the light is working properly. If the light does not turn on, please contact us.
- For first-time use, it is recommended to place the device in direct sunlight for at least 6 hours, or charge it for 3 to 4 hours using the included plug.
- When charging via the DC port, please only use the compatible 5V 2A plug and do not charge for more than 6 hours to avoid damaging the light fixture.
- The light needs to be installed in an unobstructed location, ensuring at least 6 hours of sunlight daily. It cannot be installed under obstructions such as building walls, trees, utility poles, or under glass, as this will reduce charging efficiency.
- Regularly clean dust and debris from the photovoltaic charging panel surface.
- Please check regularly to ensure the light fixture is securely installed to prevent it from falling off.

Troubleshooting

Common Issue	Possible Cause	Solution
Light only works a few hours at night	Battery not fully charged	<ul style="list-style-type: none">• Move the lamp to a sunnier spot.• Charge in direct sunlight for 2 full days, keep the light OFF at night; then press AUTO the next night.
	Timer mode enabled	<ul style="list-style-type: none">• Press AUTO button.
Remote control not working	Battery dead or reversed	<ul style="list-style-type: none">• Replace or reinstall the battery.
	Too far or wrong angle	<ul style="list-style-type: none">• Move closer and aim directly at the receiver.• Install the lamp head at a higher position.
Lamp head do not fit 3" pole/post	Mounting nut placed incorrectly	<ul style="list-style-type: none">• Insert the nut into the correct position and tighten the screws.
Light is not working at night	Always	<ul style="list-style-type: none">• Press the power button on the light. If the problem persists, please contact us.
	Recently	<ul style="list-style-type: none">• Press the ON button on the remote control. If the problem persists, please contact us.
Other issues	/	<ul style="list-style-type: none">• Contact us anytime — we are happy to help.

READ AND FOLLOW ALL SAFETY INSTRUCTIONS

IMPORTANT SAFETY INSTRUCTIONS

When using products, basic precautions should always be practiced, including the following:

- This lamp head can be used outdoors but cannot be immersed in water.
- When not using the DC port for charging, please cover it with the protective cover.
- Please charge the device using the DC port in a safe environment, such as indoors.
During rainy days, it is not allowed to charge the lamp head using the DC port outdoors.
- Avoid installing this product near major heat sources or other dangerous sources.
- Please fill the base with water or sand when using the light fixture. An empty base increases the risk of the fixture tipping over.
- In low-temperature environments, the base should not be filled too full with water, as the water freezing can easily cause the base to burst. Adding a suitable amount of sand can increase the weight of the base.
- Please use the included screws to secure the light fixture in place to prevent it from falling.
- The lamp head uses a non-replaceable light source and battery. When the light source and battery reach the end of their life cycle, the lamp head should be replaced.
- Do not allow children to assemble and install this product.

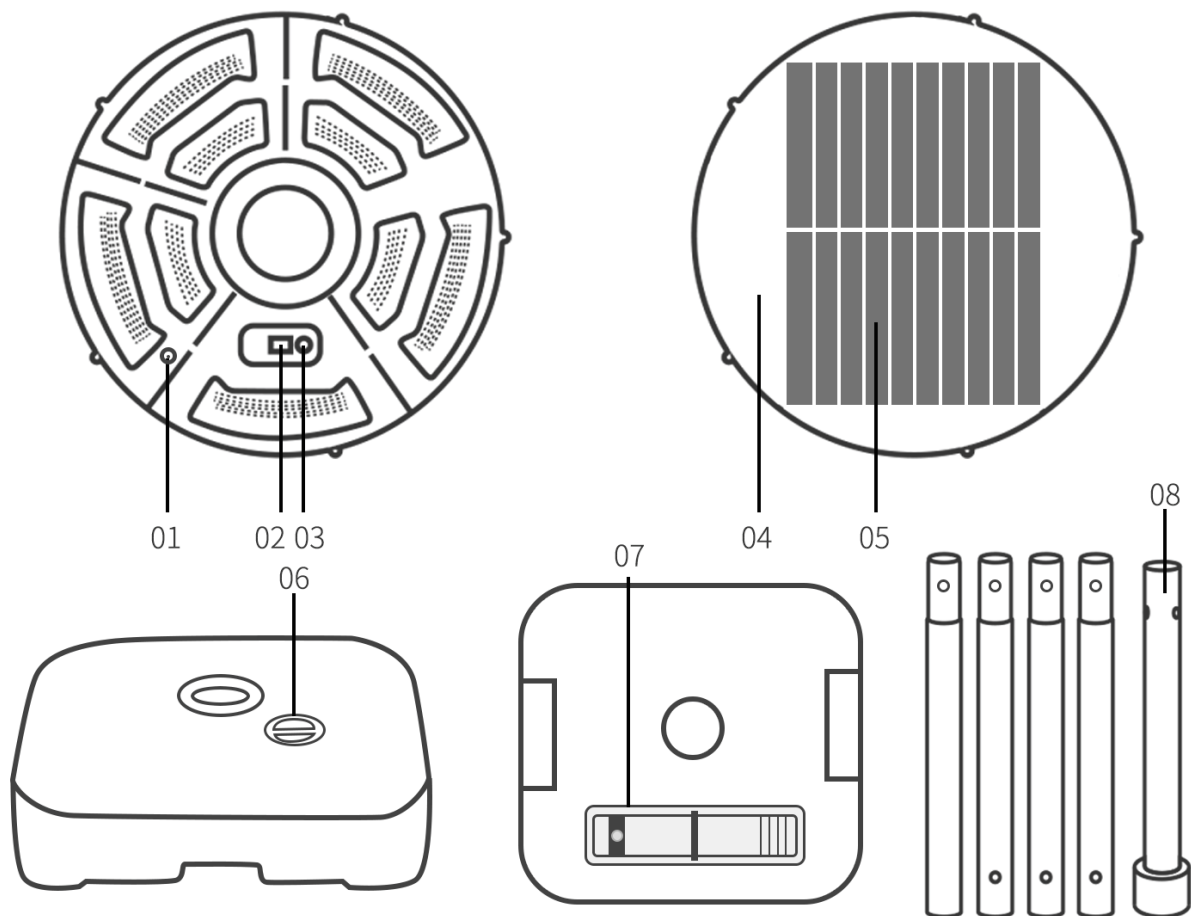
Specifications

Item Dimensions	20"L x 20"W x 89"H
Power Source	Solar and DC Powered
Number of LEDs	750
Fixture Type	Removable

What You Get

Item	Quantity
Lamp Post Head	1
Lamp Pole	5
Base	1
Remote Control	1
Plug	1
Accessory Kit	1

At a Glance



01 DC Charging Port

03 Power Button

05 Monocrystalline Solar Panel

07 Accessory Storage Hole

02 Instruction Reception Window

04 Tempered Glass Protective Layer

06 Filler Hole

08 Galvanized Steel Pole

Installation Guide

1

i This installation step may require several attempts.

Align the connector with the arrow icon, press and rotate to fix it

After placing the nut in the corresponding position, gently tighten it with the screw

2

3

Connect the five poles together and fix them with screws

After assembly, the pole is inserted into the base fixing pole and then fixed with screws

4

i The positions of these two holes must be aligned.

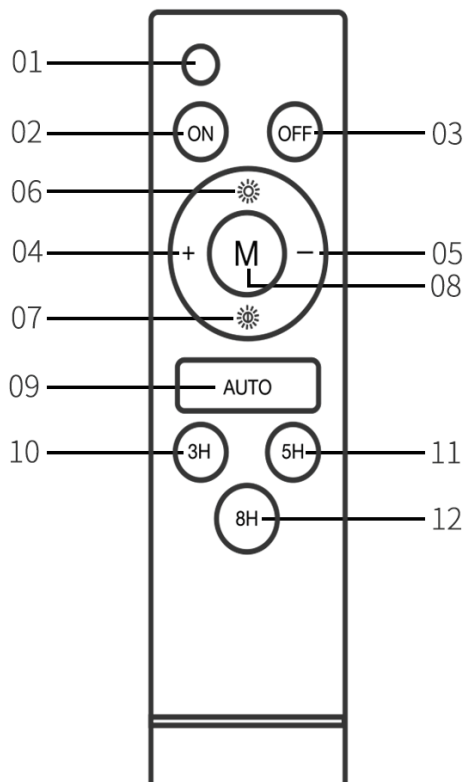
Add water or sand to the base, and insert the fixing pole into the base. Then, rotate it clockwise to fix it

5

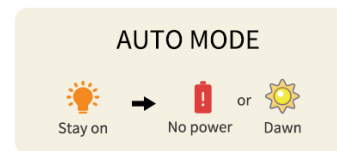
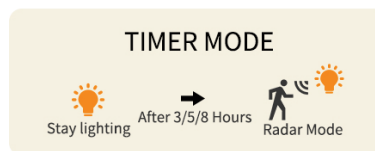
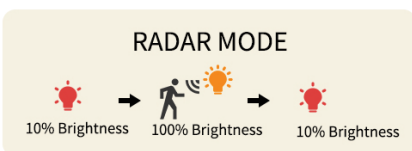
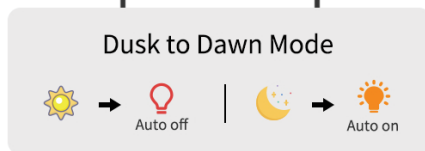
6

Place the lamp post head on the lamp pole and tighten the screw

Remote Control





- 01** No Meaning
- 02** Light On Button
Turns on the light and keeps it on
- 03** Light Off Button
Turns off the light and keeps it off
- 04** Brightness Increase Button
- 05** Brightness Reduction Button
- 06** Maximum Brightness Button
Switch the light to maximum brightness
- 07** Half Brightness Button
Switch the light to half brightness
- 08** Radar Sensor Button
Switch the light to radar sensor mode
- 09** AUTO Button
Switch to auto mode: The light stays on until the battery is depleted or dawn
- 10** 3-Hour Timer Button
The light will automatically turn off after 3 hours
- 11** 5-Hour Timer Button
The light will automatically turn off after 5 hours
- 12** 8-Hour Timer Button
The light will automatically turn off after 8 hours



- All remote control commands require the light to be powered on. For first-time use, please ensure you have pressed the power button on the light.
- The lamp is set to auto mode and dusk-to-dawn mode by default. You can switch between different lighting modes as needed.
- The dusk-to-dawn mode is enabled by default and cannot be disabled unless you click the off button.
- Auto mode, radar mode, and timer mode cannot be used simultaneously. When you switch to one of these modes, the other two modes will be automatically canceled.
- A single flash of the light indicates successful remote control operation.
- When using the remote control, please point it at the instruction reception window on the light, and do not exceed 26 feet.
- When using the remote control, the angle between the remote control and the ground must be greater than 15°.
- CAUTION - Clicking the "off" button will cancel the Dusk to Dawn mode and keep it off. To use it normally, you must click the "on" button.

Customer Service

-  Warranty: 1 Year Limited Warranty
-  Support: Lifetime Technical Support