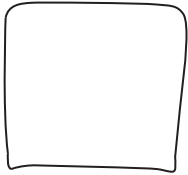


USE AND MAINTENANCE

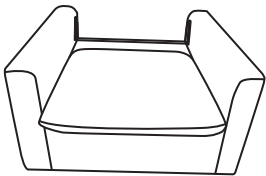
- Use on level surfaces only
- Because this product needs assembly, it is prone to working itself loose from time to time depending on the use. Please take the time to check that all connections are still tight and working properly for safety.
- Only clean using a damp cloth and mild detergent, do not use bleach or abrasive cleaners.

Fleece Minimalist Accent Chair

PART LIST



1 - Backrest x1



2 - Chair Base x1



3 - Legs x4

HARDWARE



A - Bolt x12



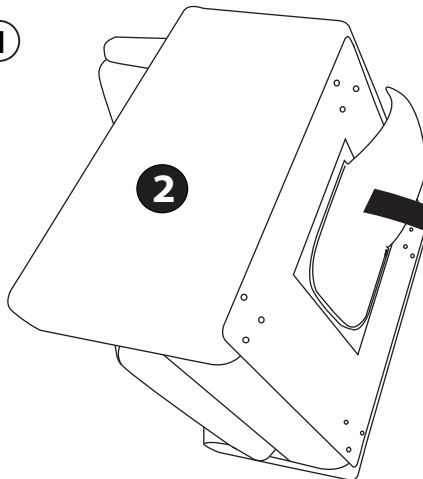
B - Allen Wrench x1



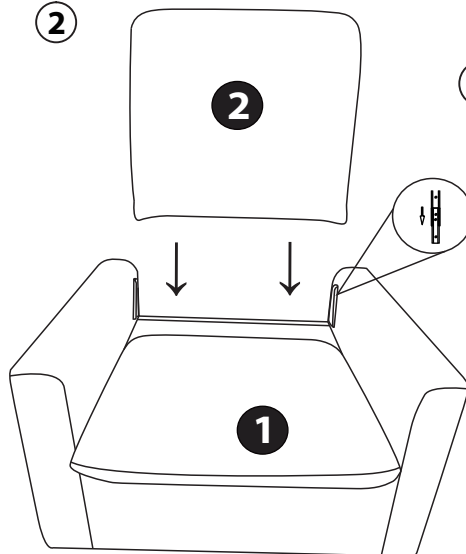
C - Spacer x4

Assembly Instructions

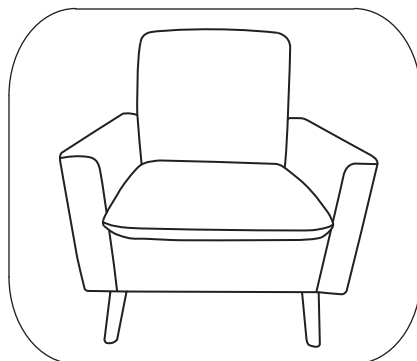
①



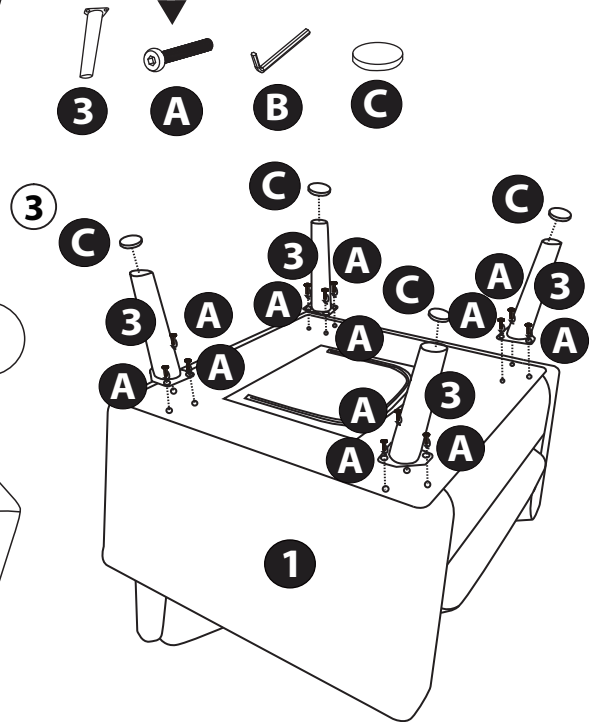
②



Install 2 into 1 with the buckles.



Turn 2 upside down, and take 3(x4), A(x12), B(x1), C(x4) out.



Install C(x4) into 3(x4) into 1 with A(x12).

Congratulations! Setup of your new Fleece Minimalist Accent Chair is Complete! Keep these instructions for future reference.