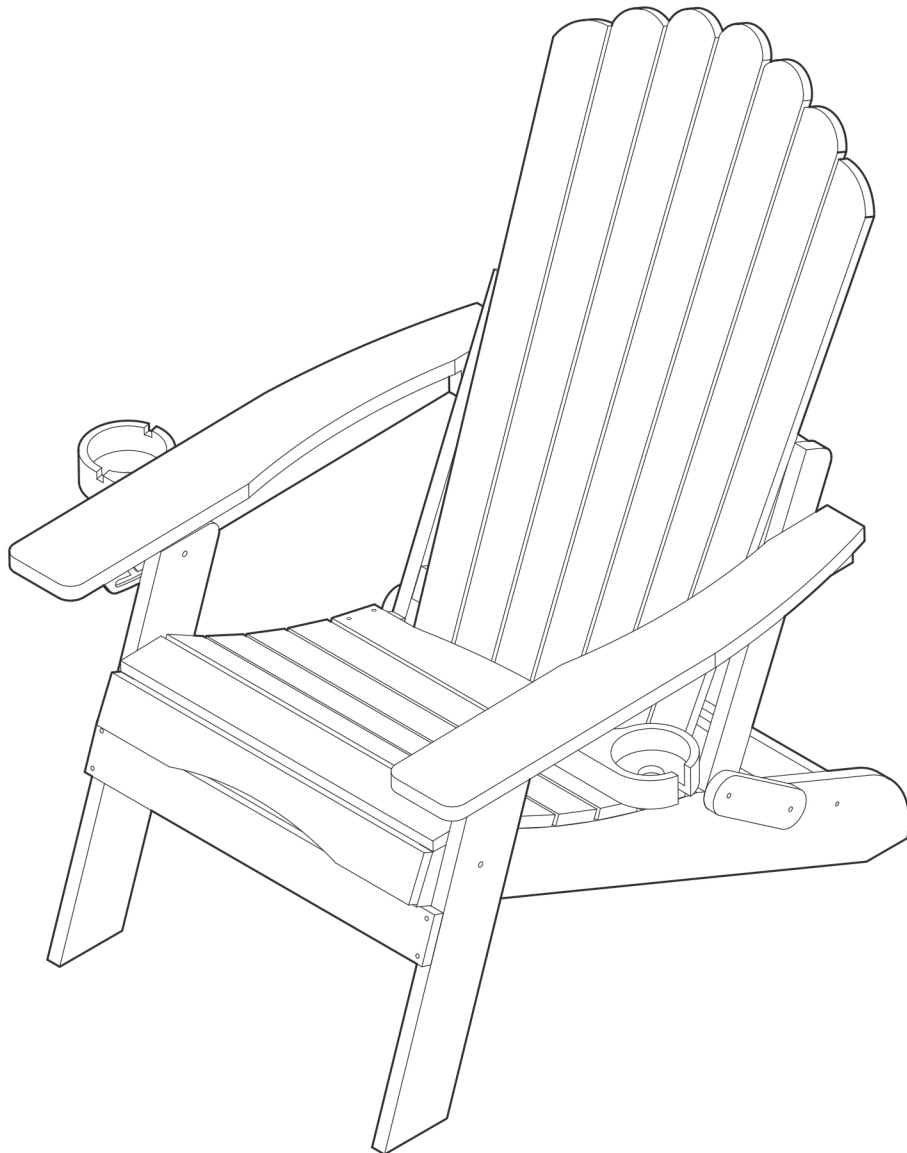


- PLEASE BE PATIENT THAT THE OTHER ITEMS ARE ON THE WAY IF YOU BUY MORE THAN ONE PRODUCT.

User's Manual

NOTE : *Please read instructions before assembly.*

If incorrect assembled, could reasonably result in the creation of a hazard!!!



Product Description	Adirondack Chair
----------------------------	-------------------------

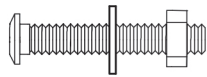
For Outdoor

1 X 8



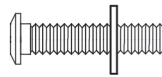
4*35 Screw

2 X 4



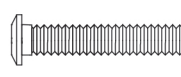
M6*45 Bolt

3 X 2



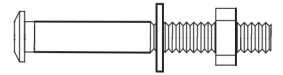
M6*40 Bolt

4 X 6



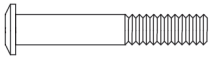
M6*45 Bolt

5 X 2



M6*80 Bolt

6 X 2

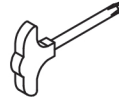


M6*50 Bolt

7 X 2



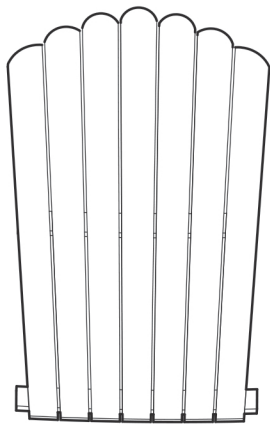
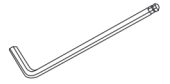
8 X 1



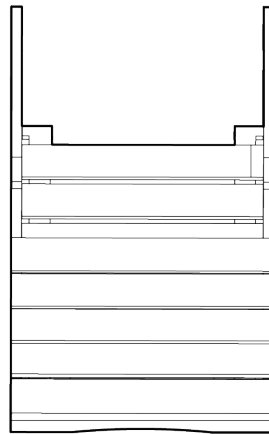
9 X 1



10 X 1



A Backrest X 1



B Seat and Footrest X 1



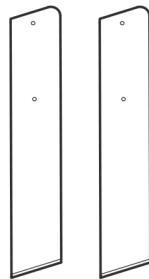
C Left Armrest X 1



D Right Armrest X 1



E Movable Connector X 2



F Front Leg X 2



G Front Panel X 1



H Seat Panel X 1



I Left Cup Holder X 1



J Right cup Holder X 1



K Back Leg Connector X 1



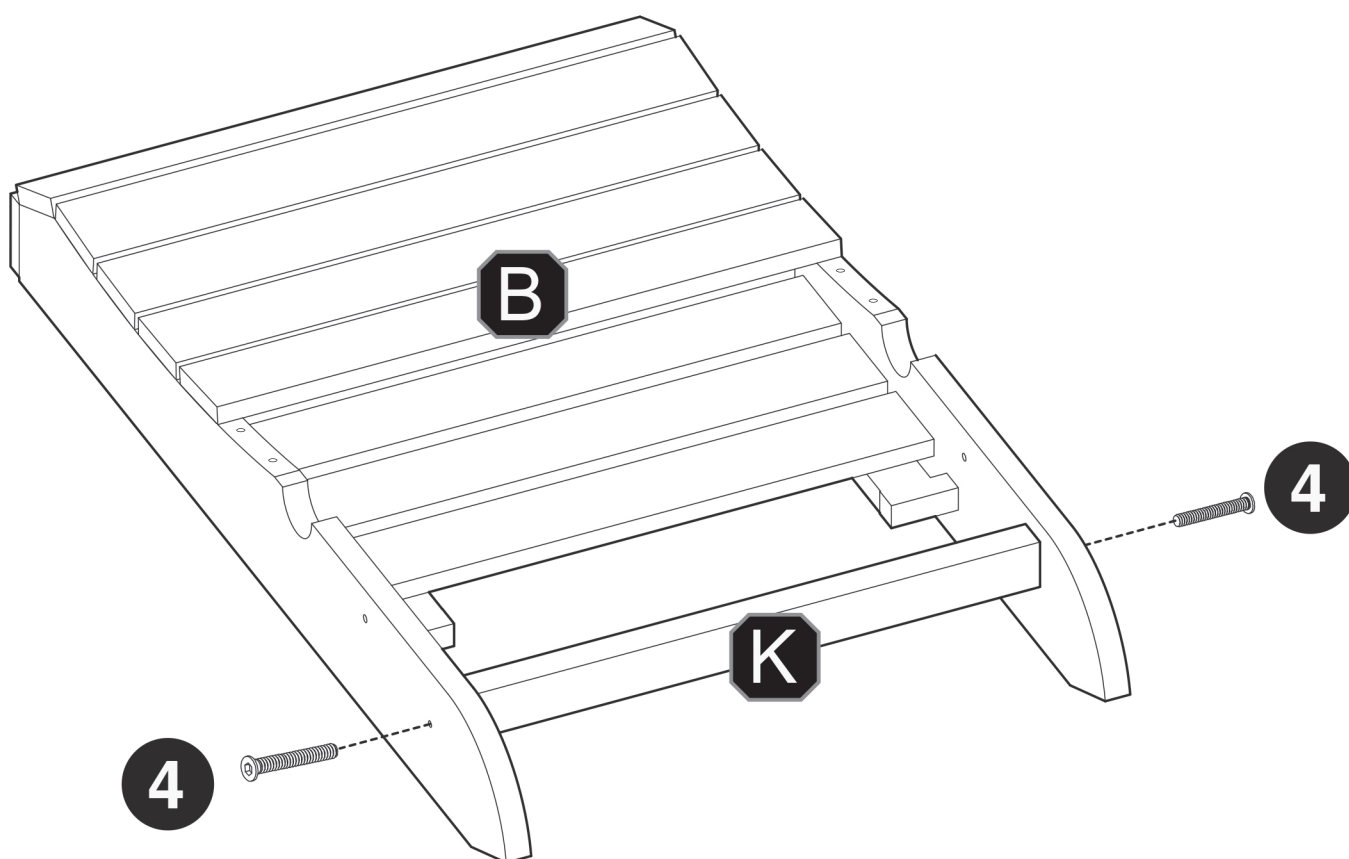
L Backrest Support X 2

NOTE: ⚠

1. If it seems parts aren't fitting together you likely have something wrong and you should reread the instructions to ensure you are aligning the proper components.

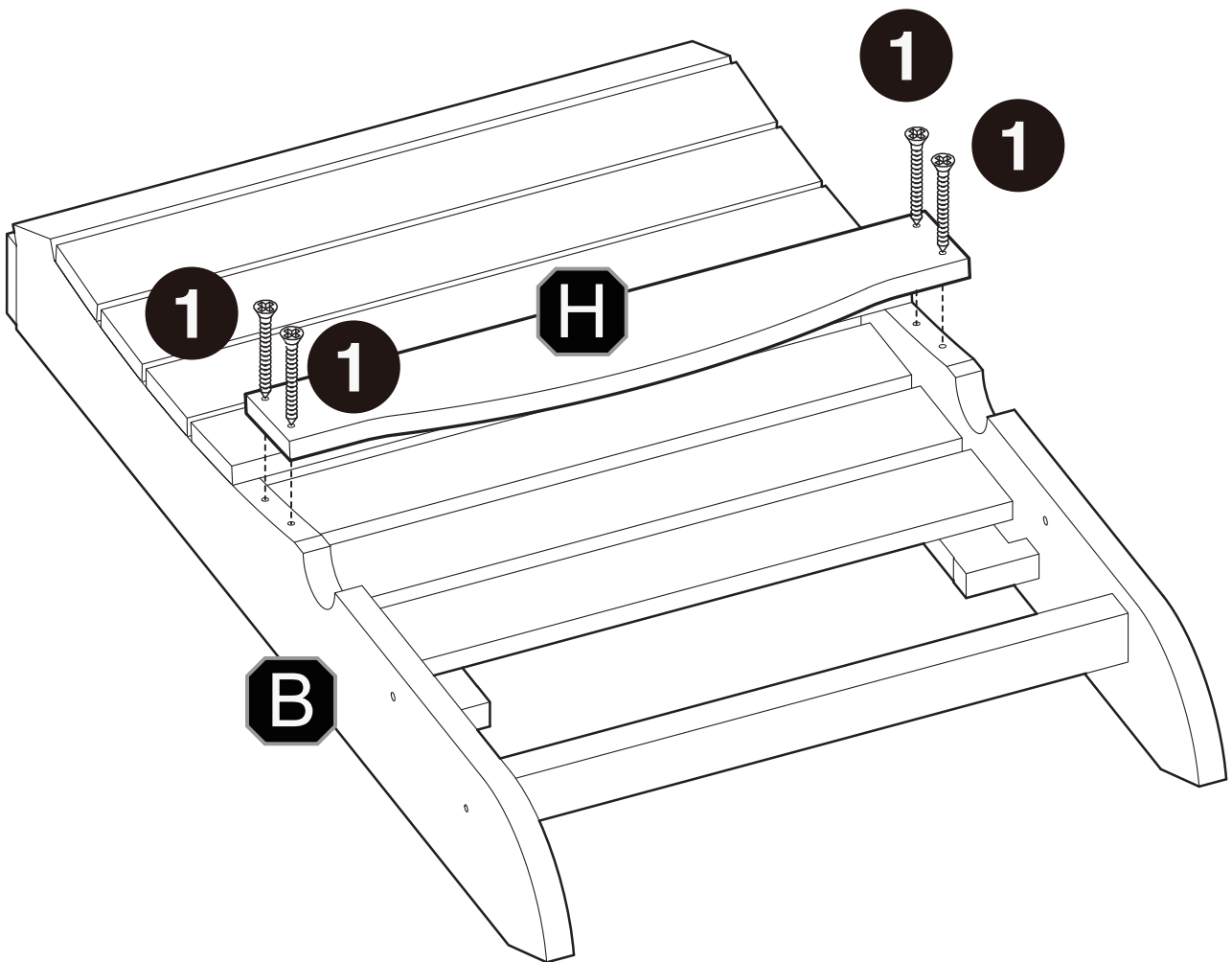
2. When assembling the product, do not tighten the screws all the way at the first, tighten them to 70% , and then once all the screws are assembled, tighten them to 100%.

Step 1



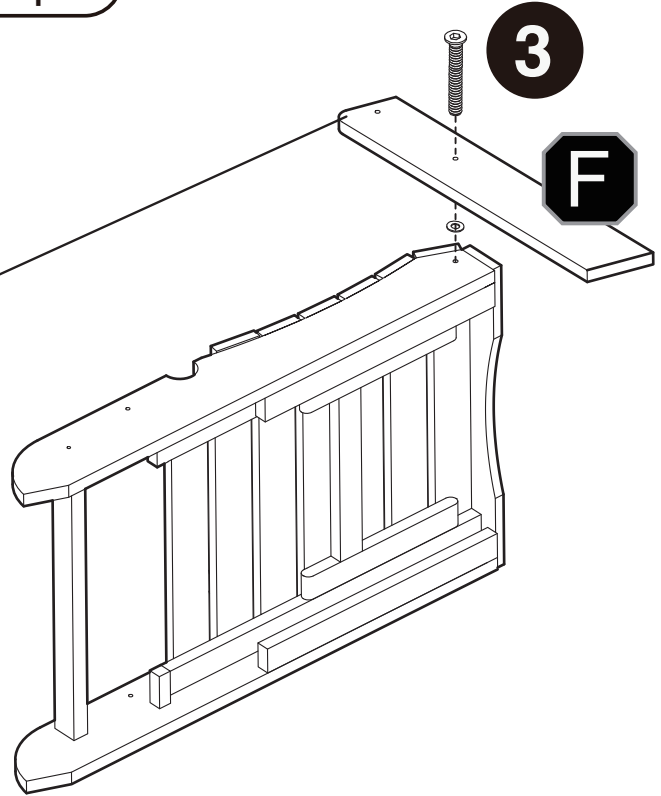
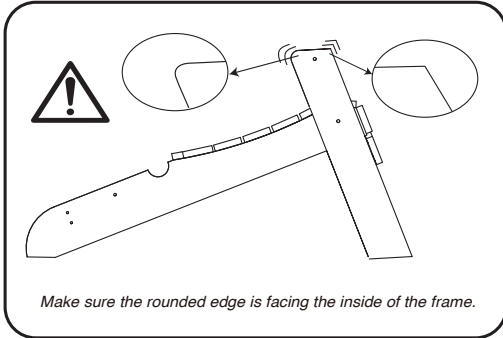
Use 2 screws **4** to connect Backleg Connector **K** to Seat and Footrest **B**

Step 2



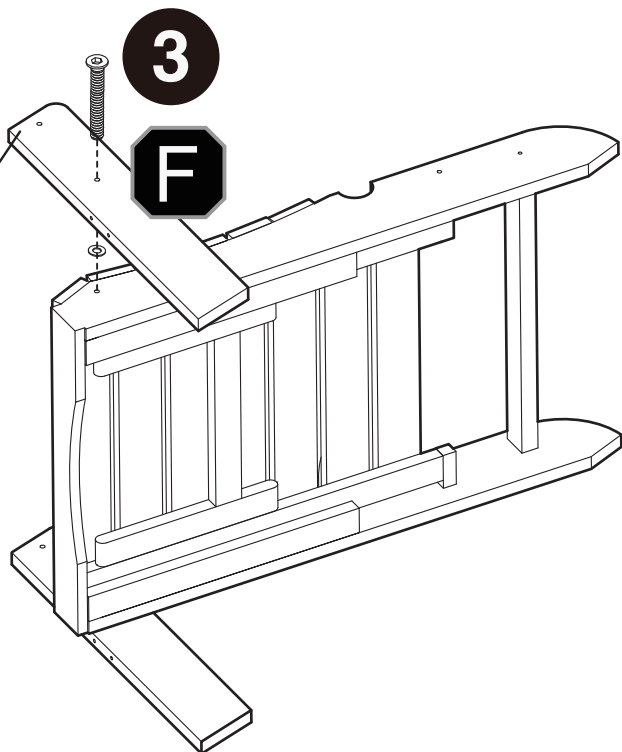
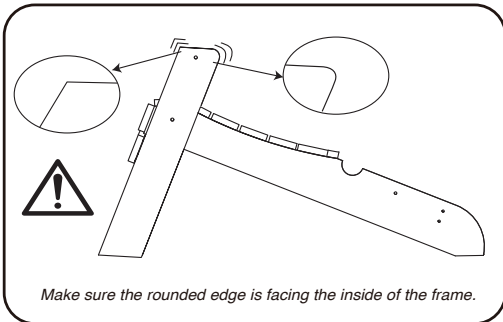
Use 4 screws **1** to connect Seat Panel **H** to the previously assembled frame.

Step 3



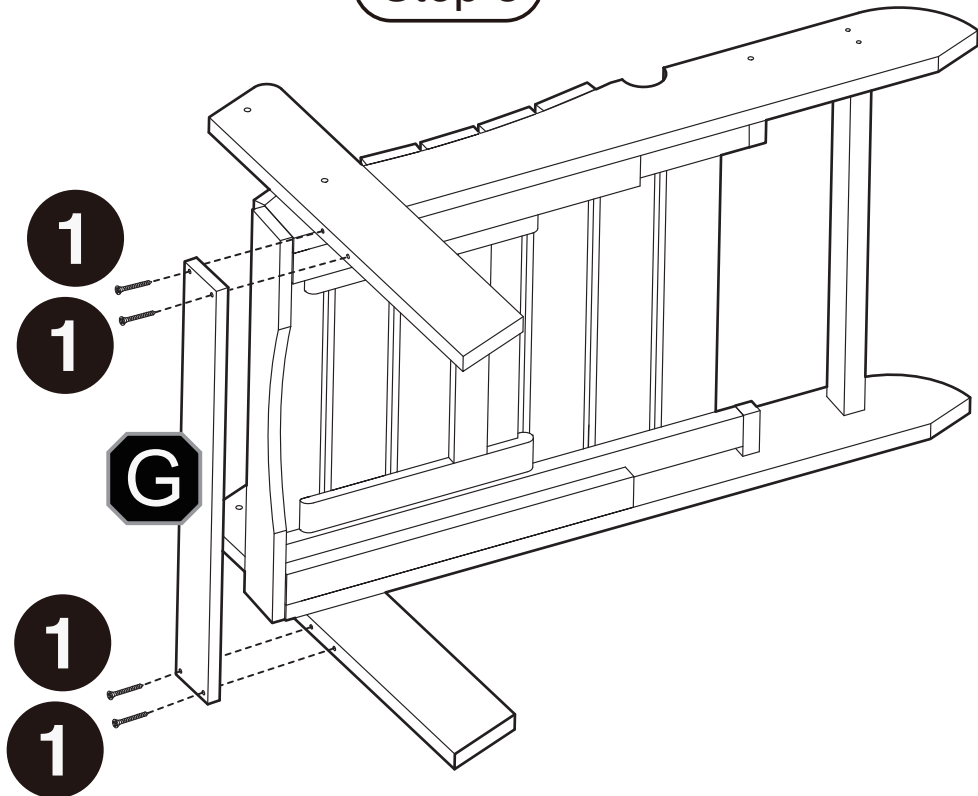
Use 1 screw **3** to connect Front Leg **F** to to the previously assembled frame.

Step 4



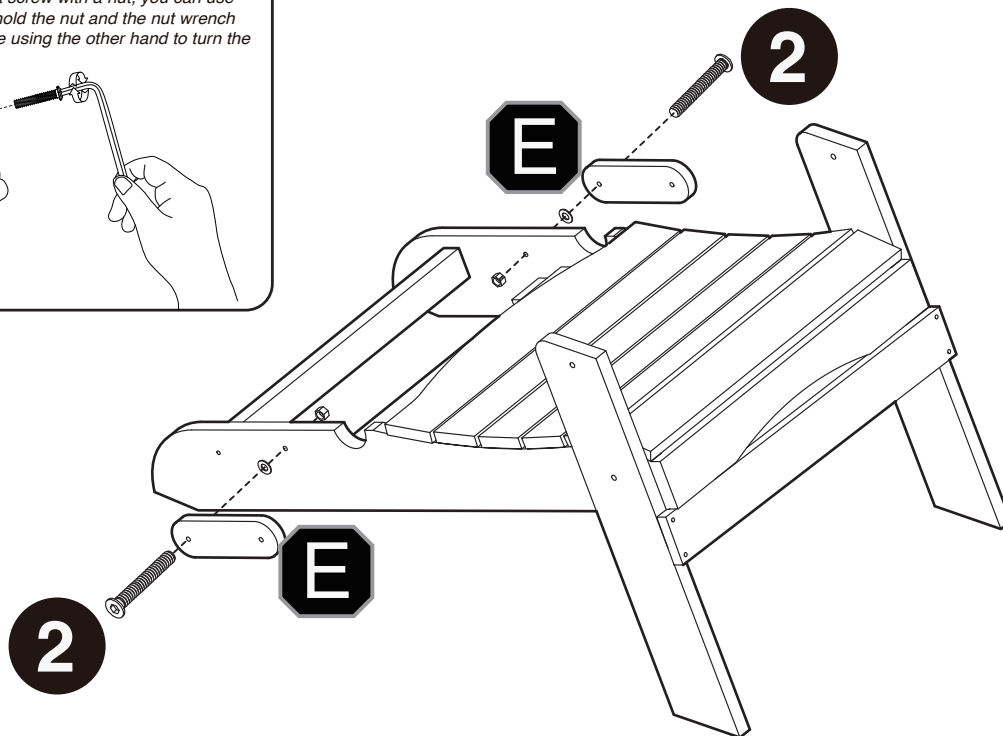
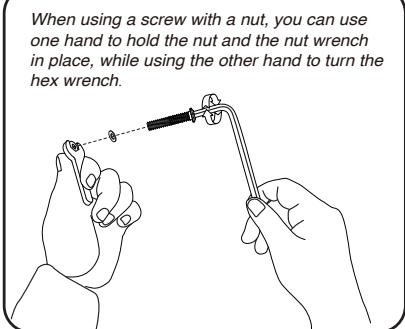
Repeat step 3 on the other side.

Step 5



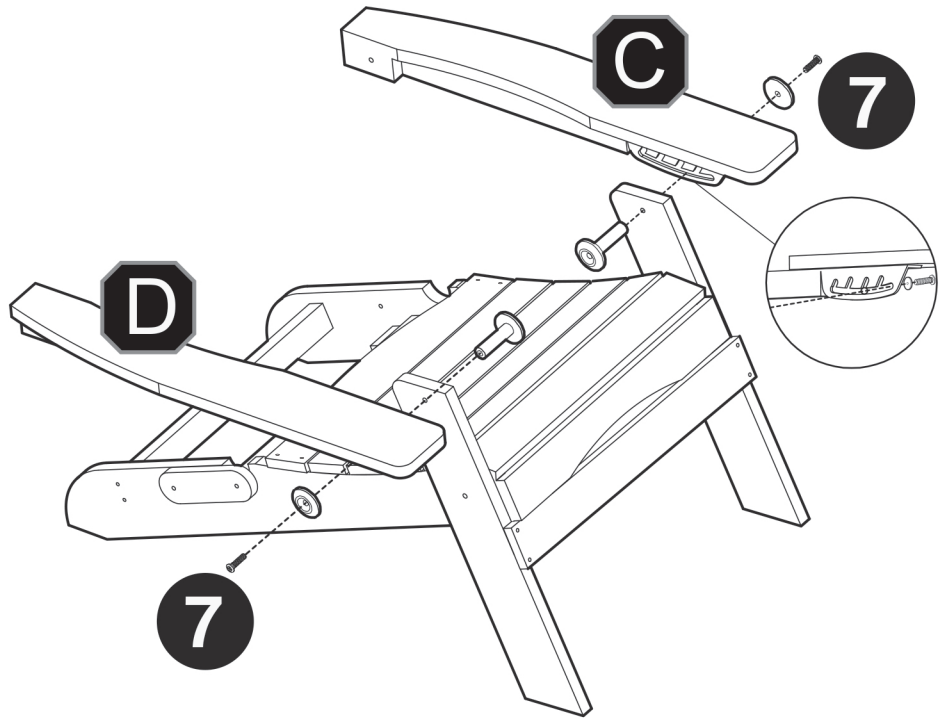
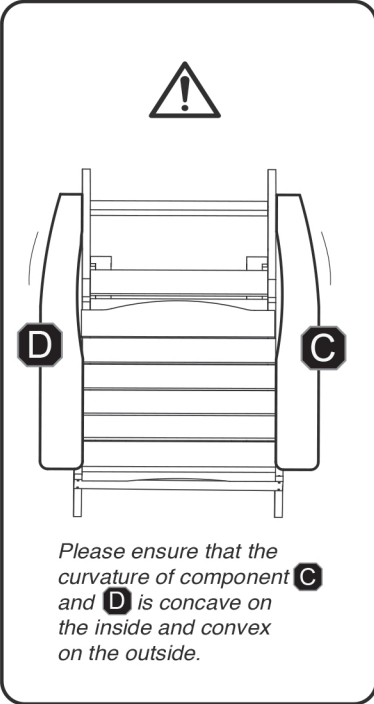
Use 4 screws **1** to connect Front Panel **G** to the previously assembled frame.

Step 6



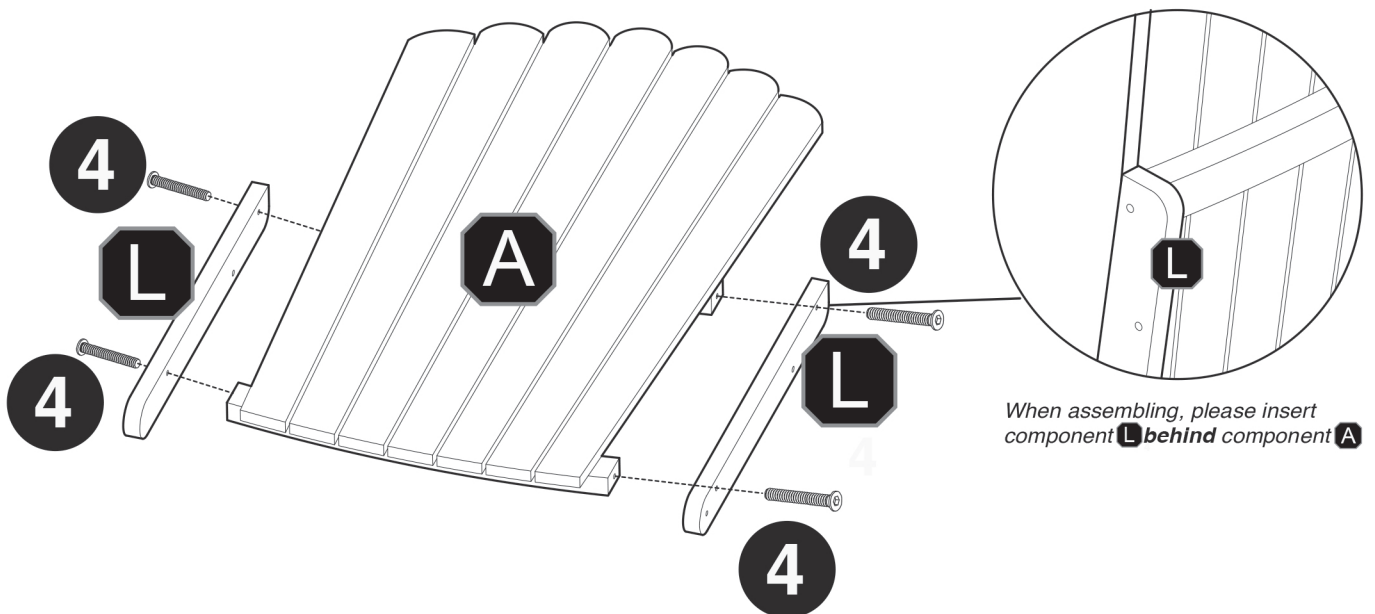
Use 2 screws **2** to connect Movable Connector **E** to the previously assembled frame.

Step 7



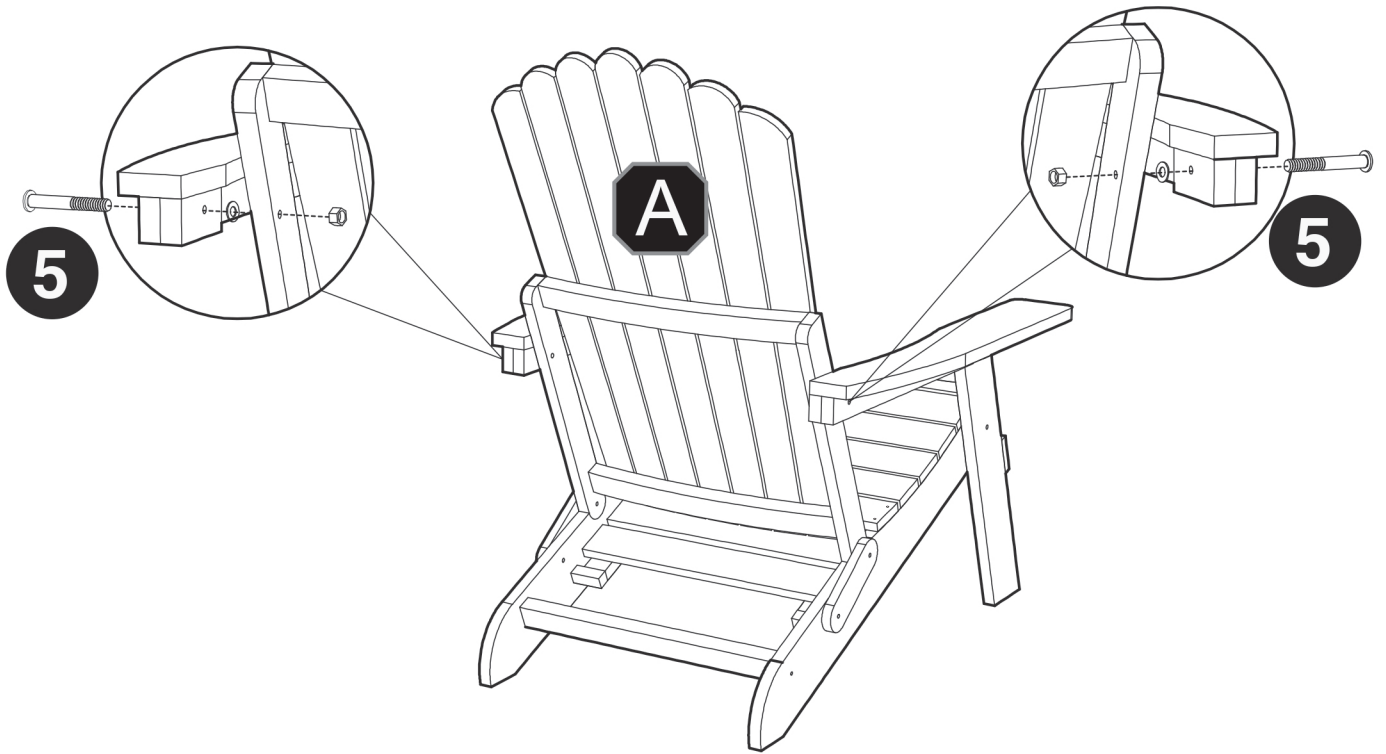
Use 2 screws **7** to connect Left Armrest **C** and Right Armrest **D** to the previously assembled frame.

Step 8



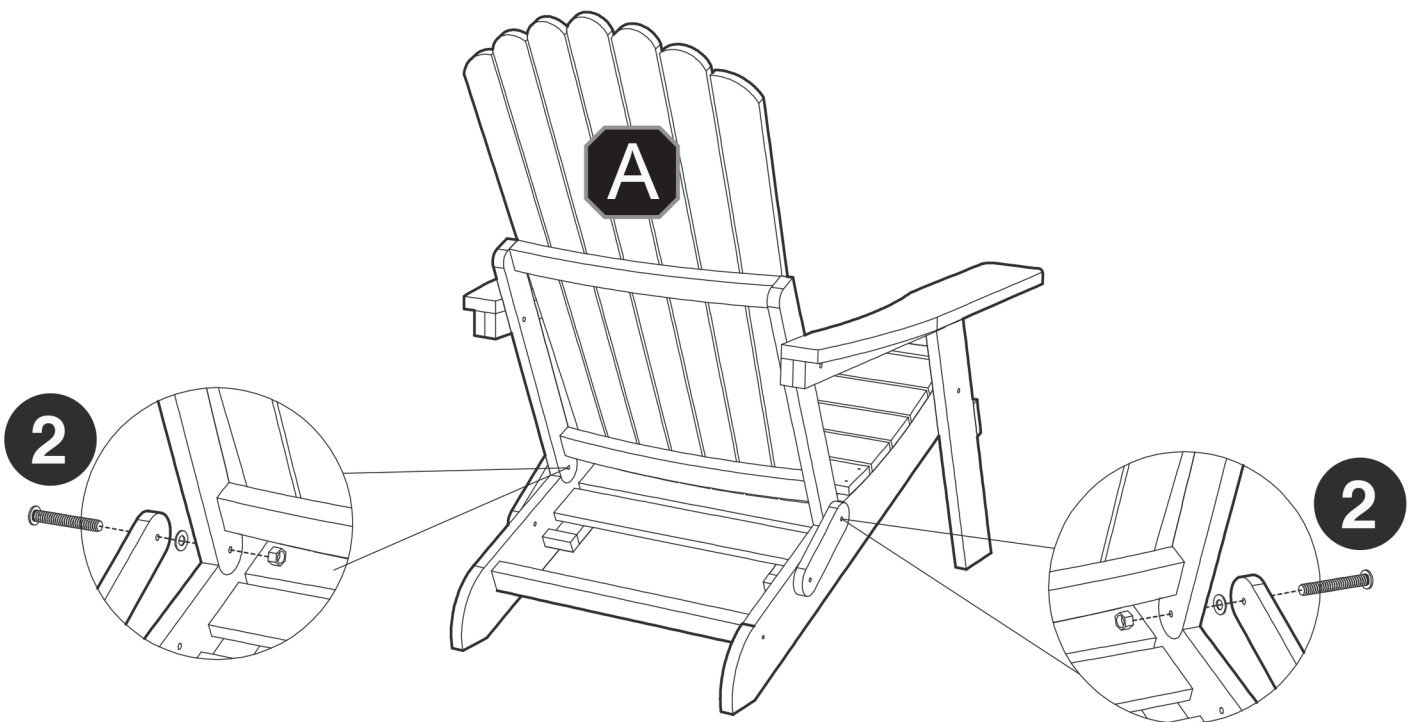
Use 4 screws **4** to connect Backrest Support **L** to Backrest **A**

Step 9



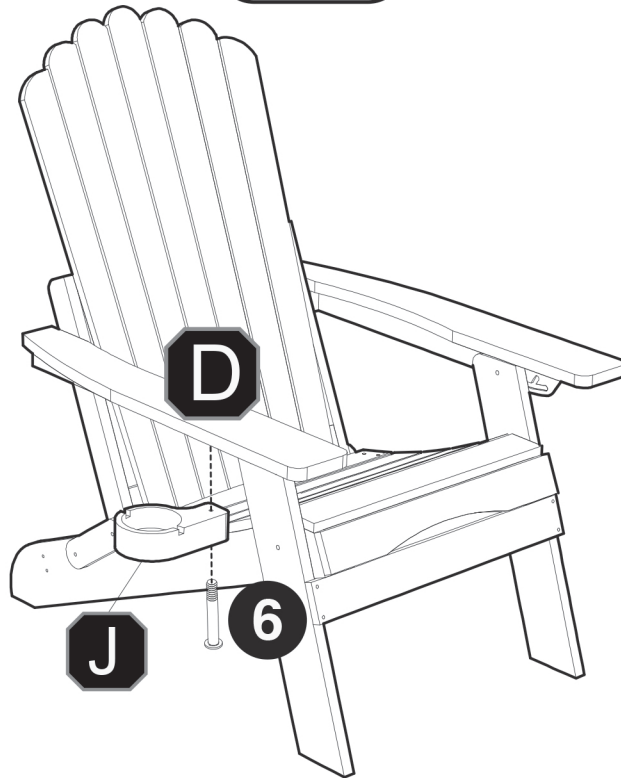
Use 2 screws **5** to connect Backrest **A** to the previously assembled frame.

Step 10



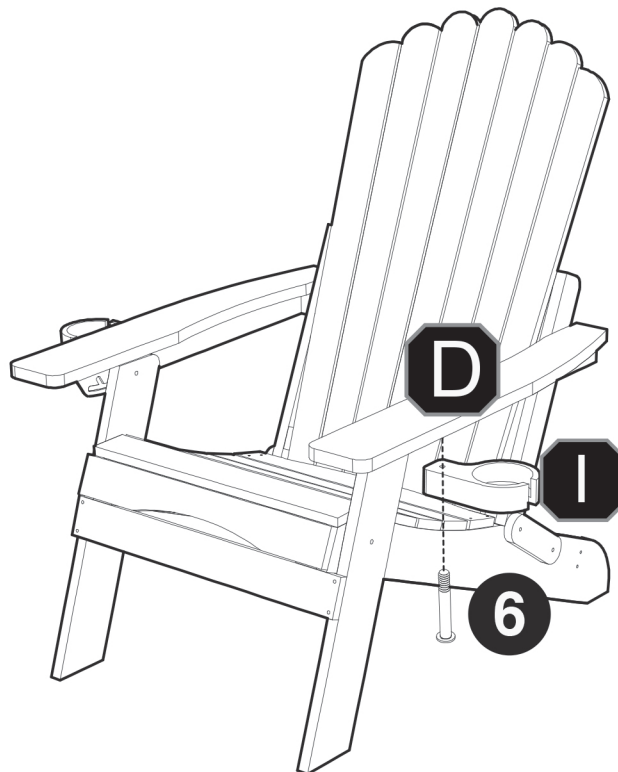
Use 2 screws **2** to connect Backrest **A** to the previously assembled frame.

Step 11



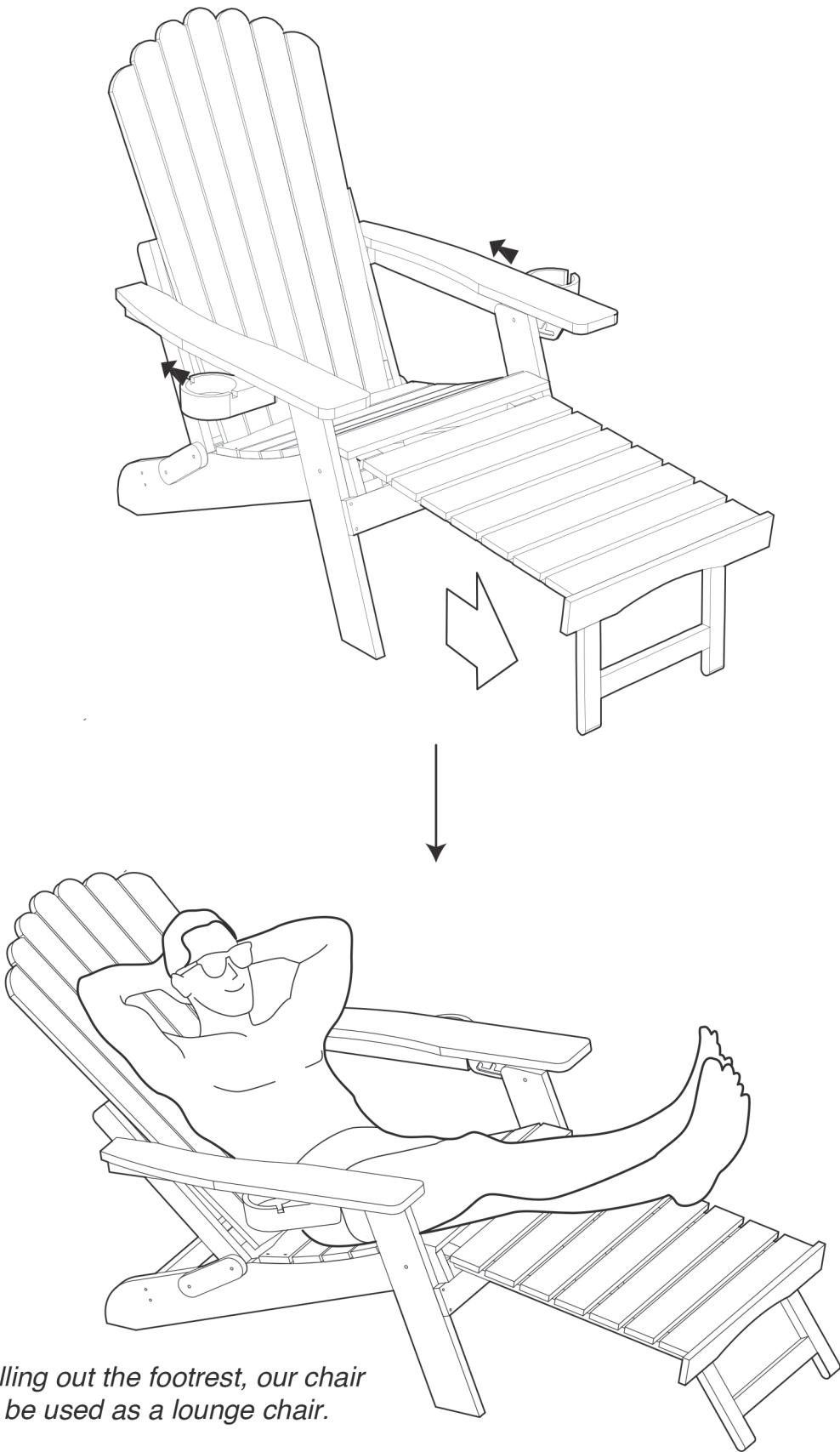
Use 1 screw **6** to connect Right Cup Holder **J** to the previously assembled frame.

Step 12



Use 1 screw **6** to connect Left Cup Holder **I** to the previously assembled frame.

Step 13



After pulling out the footrest, our chair can also be used as a lounge chair.

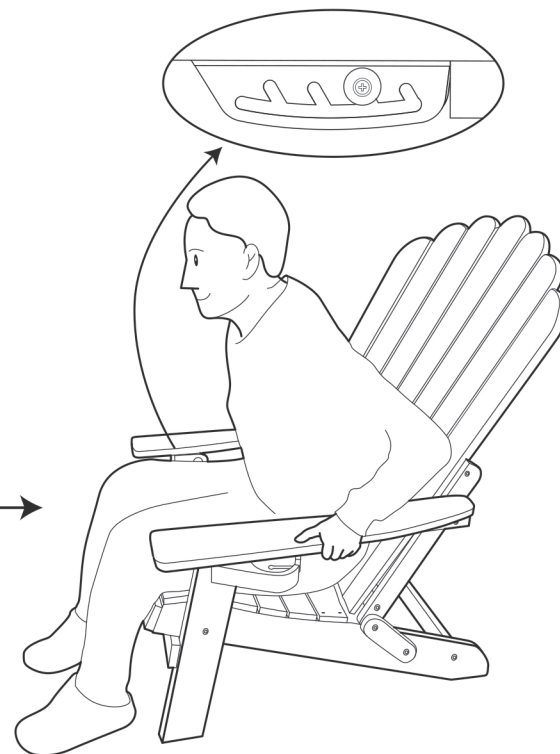
Tighten all the screws to 100%, push out the footrest, and retract the cup holder.

Step 14

- There are a total of five adjustable angle settings.
- When adjusting the seat angle, both hands should operate simultaneously.



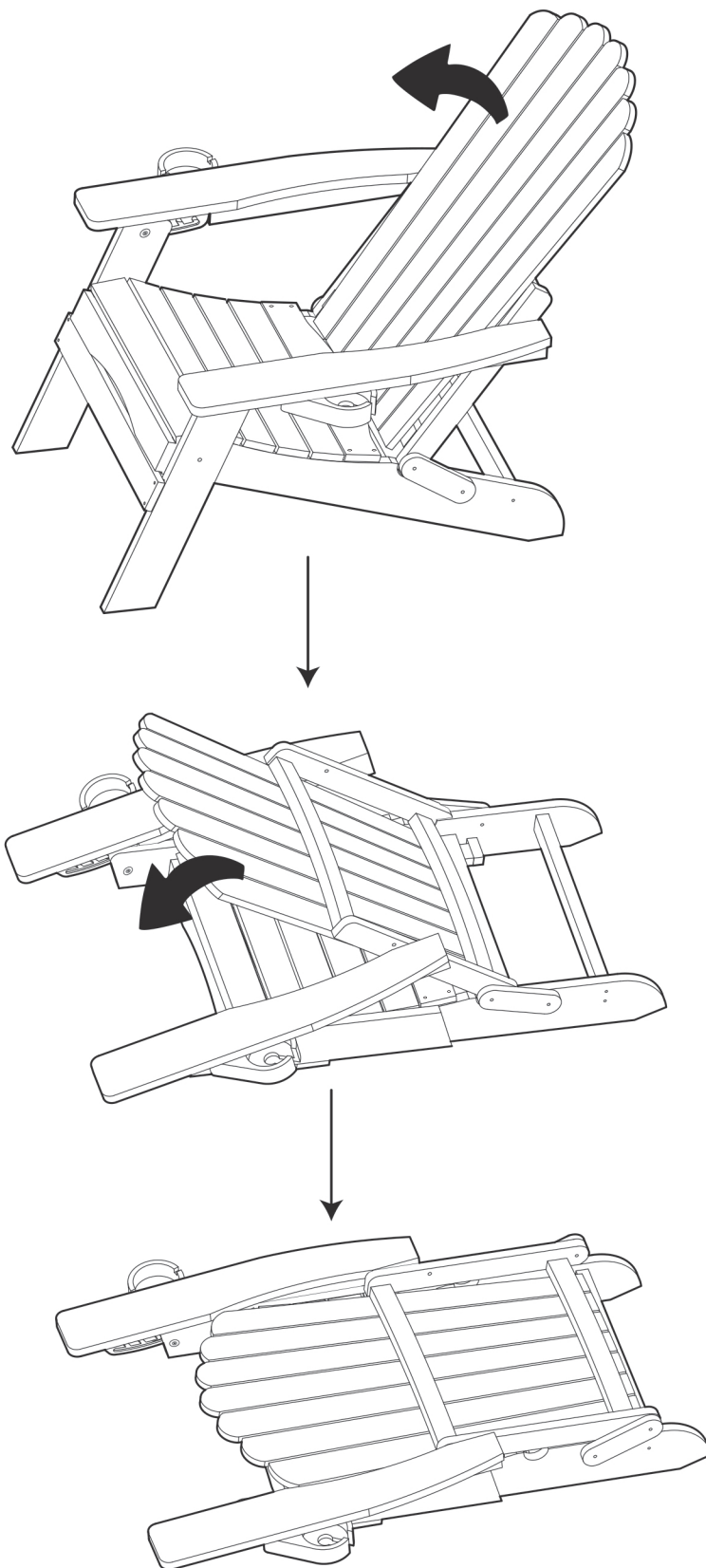
- When adjusting from a sitting position to a lying position, you can apply force with both hands on the front of the armrests.



- When adjusting from a lying position to a sitting position, you can apply force with both hands in the middle of the armrests.

Adjust the seat angle.

Step 15



Fold the chair twice to collapse it.

Product Declaration

Product:	Adirondack Chair
Main material:	HDPE
Product No:	Please refer to the label or the Assembly and User Instruction. The product code refers to the type, length and color of the product. As an example : “A”· Backrest, “B”· Seat and Footrest, “C”· Left Armrest, “D”· Right Armrest etc.
Technical character and size:	Please refer to the User’s Manual.
Assembly and spare parts:	Please refer to the User’s Manual.
Maintenance:	Please refer to the User’s Manual.
Production date:	Please refer to the label on the outer package.

Since our establishment in 2016, WINGYZ has been dedicated to creating high-quality and authentic outdoor and indoor furnishings. Our skilled craftsmen use traditional techniques to transform the natural beauty into unique, functional pieces that add warmth and character to any home.



Low Maintenance

Our weather-resistant patio furniture cleans easily with soap and water, and you never need to paint, stain, or waterproof it, saving you time and money.



Color-Stay Technology

UV inhibitors and stabilizers protect from environmental degradation and, along with light stable pigments, run throughout the lumber so you can enjoy rich color for years to come.



Weatherproof

Our all-weather patio furniture is built to handle the harshest conditions from hot sun and salt spray, to heavy winds and even blizzards.



Sustainability Minded

Our infinitely recyclable lumber is made from reusable plastics with a zero-waste mindset right here in the USA—to leave behind the lightest footprint possible.

★ MAINTENANCE INSTRUCTIONS:

*Please read before beginning assembly! To avoid damaging furniture perform the assembly of your WINGYZ furniture on a clean soft surface like a blanket, carpet, or the flattened cardboard box the furniture was shipped in. Components should not be unnecessarily forced together! Use a Cordless Screw Gun if you have one and know how to use it. Set the clutch setting at medium torque. We do not recommend using an electric drill with a cord and without a clutch to install bolts in inserts as you can easily overtighten and damage the product. All bolts come standard with a thread coating to reduce bolts loosening after assembly while still allowing removal and reuse of the bolt.

Manufacturer: ShenZhen Seven Colours Electric Appliance Co., Ltd

Address: CN, 518000, guangdong, shenzhen, Longhua District, Longhua Street, Song He Community, Hui Shi Street, Lane 1, No.2,6/, 6A