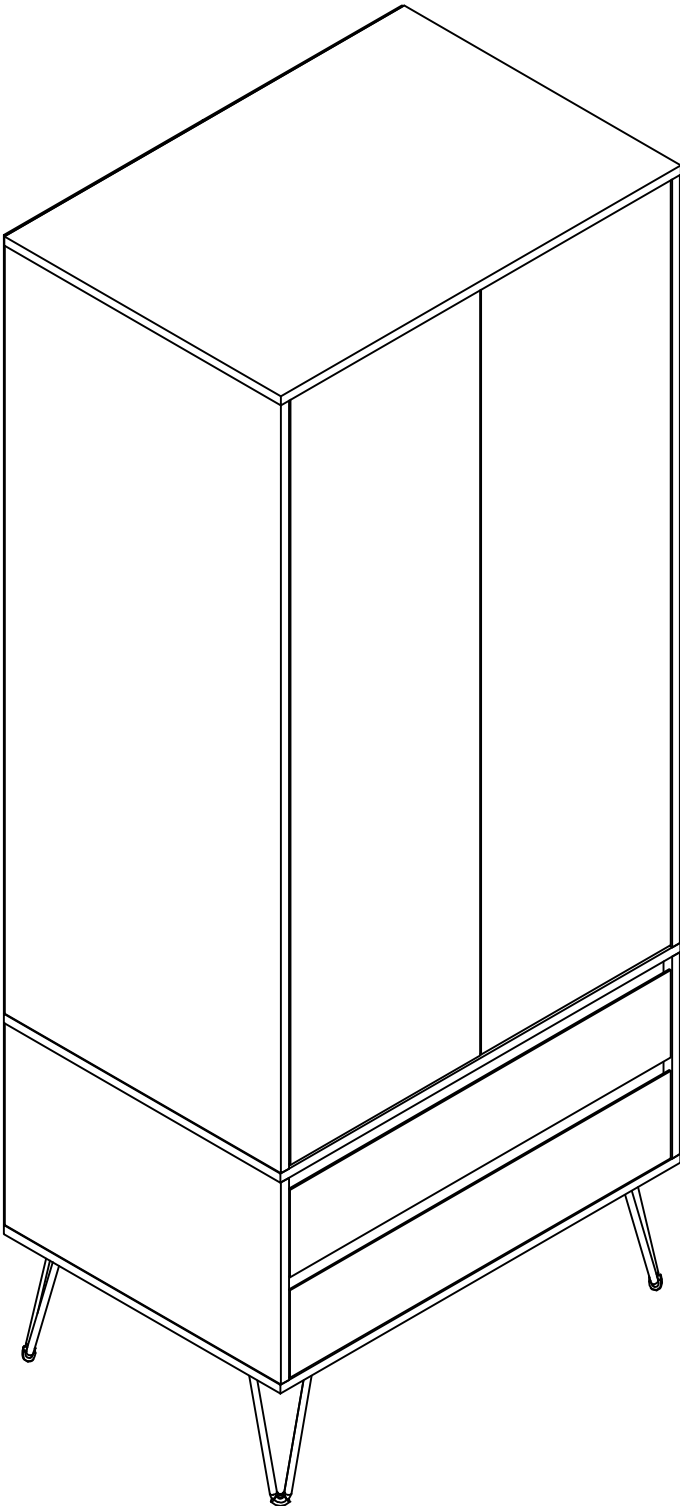


**ASSEMBLY
INSTRUCTION**

**2 DOOR 2 DRAWER WARDROBE
2 PERSON ASSEMBLY**

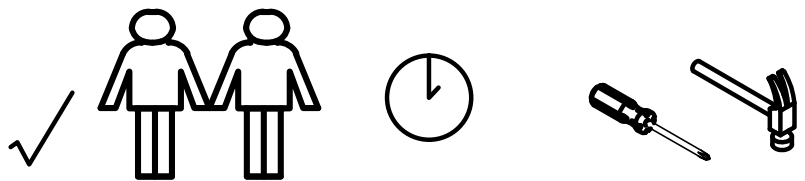
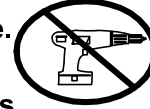
**Please check all fittings & panels are
in the box prior to assembly**



Safety and Care Advice

IMPORTANT - Please Read This Instruction Carefully Before Assembly.

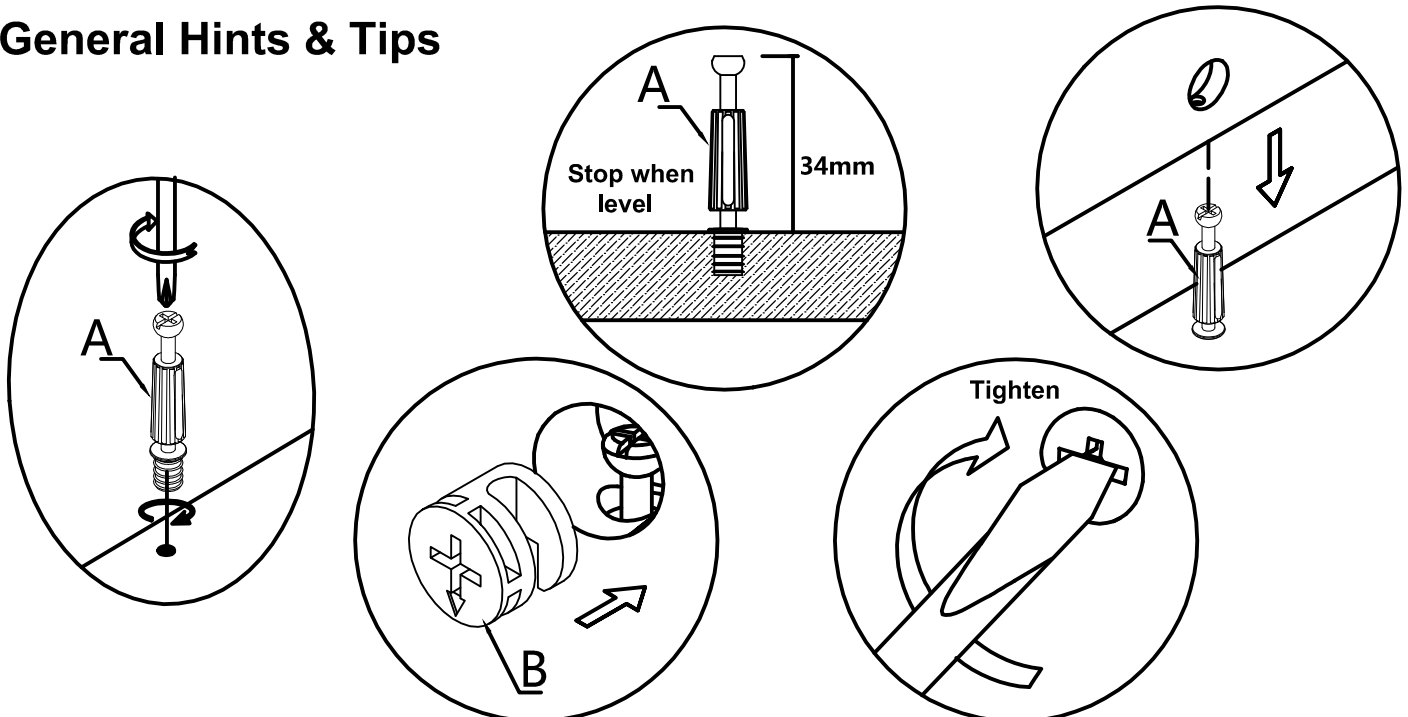
- Check you have all the components and tools listed on page 3.
- Remove all settings from the plastic bags and separate them into their groups.
- Keep children and animals away from the work area, small parts could choke if swallowed.
- Make sure you have enough space to layout the parts before assembly.
- Do not stand or put weight on the product, this could cause damage.
- Assemble the item as close to it's intended position (in the same room) as possible.
- Assemble on a soft level surface to avoid damaging the unit.
- Parts of the assembly will be easier with 2 people.
- Do not use power drill/drivers for assembly, or the unit may be damaged.
- Dispose of all packaging carefully and responsibly.



CARE and MAINTENANCE

- Only clean using a damp cloth and mild detergent, do not use bleach or abrasive cleaners.
- From time to time check that there are no loose screws on this unit.
- This product should not be discarded with household waste. Take to your local authority waste disposal center.

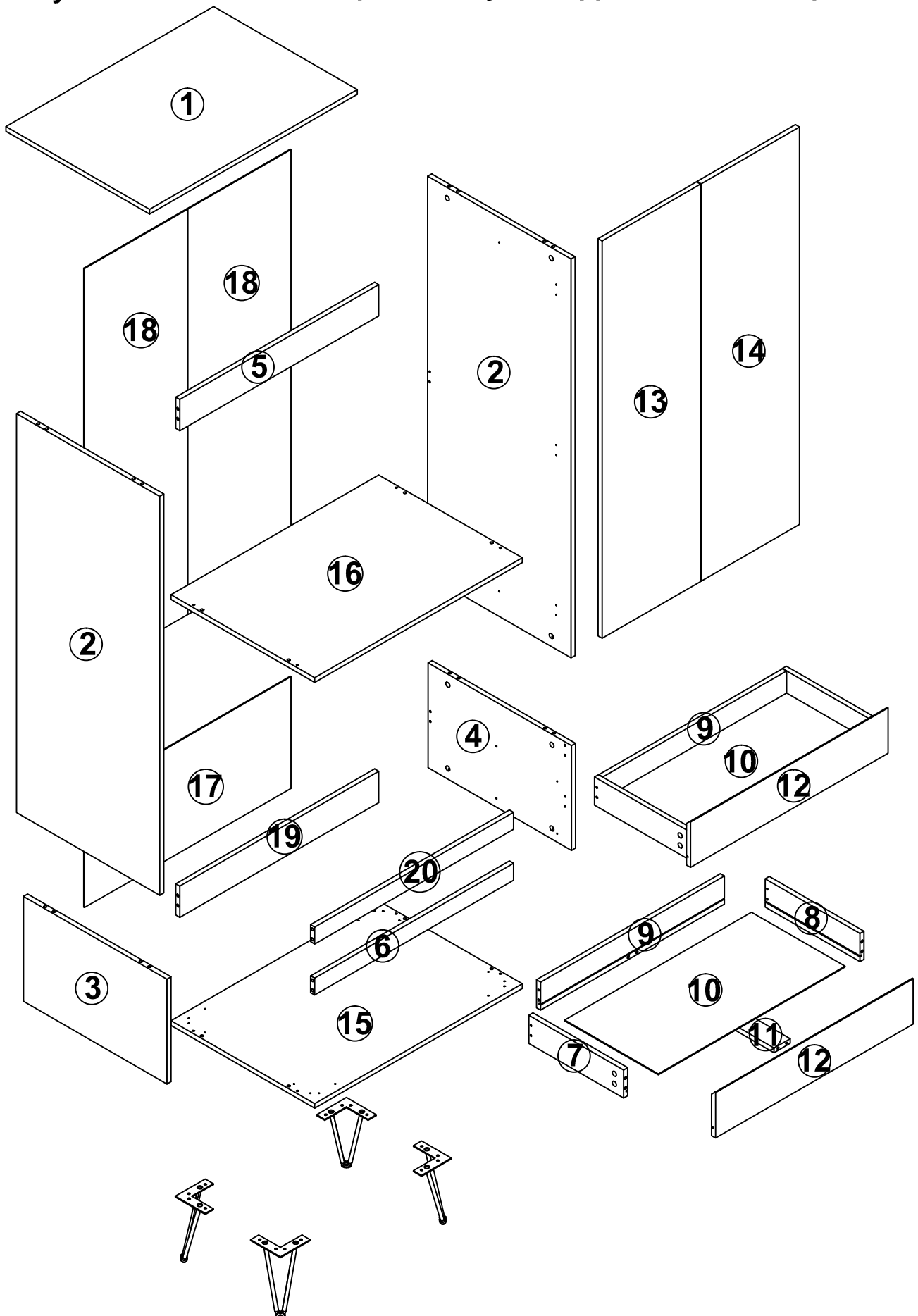
General Hints & Tips



Components and Tools

IMPORTANT - Please Check If You Have All The Components and Tools.

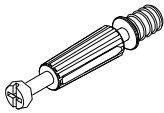

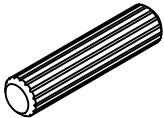

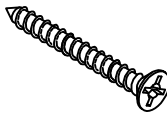

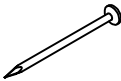
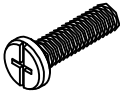
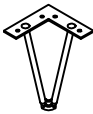
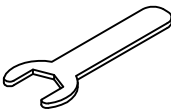


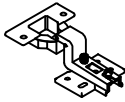
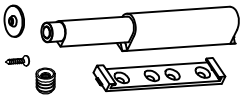
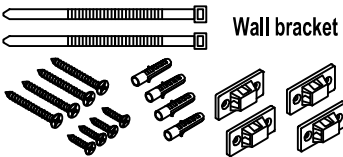
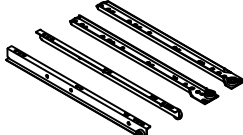
Note: The quantities below are the correct amount to complete the assembly. In some cases more pieces may be supplied than are required.



Components and Tools

IMPORTANT - Please Check If You Have All The Components and Tools.

Note: The quantities below are the correct amount to complete the assembly. In some cases more pieces may be supplied than are required.

<p>A=44</p>  <p>Peg M6*34mm</p>	<p>B=44</p>  <p>Lock M15*12mm</p>	<p>C=24</p>  <p>Dowel M6*30mm</p>	<p>D=60</p>  <p>Screw M3.5*14mm</p>	<p>E=8</p>  <p>Screw M4*38</p>	<p>F=16</p>  <p>Screw Cap</p>
<p>G=34</p>  <p>Pin</p>	<p>H=16</p>  <p>Screw</p>	<p>I=4</p>  <p>Plastic Feet 150H</p>	<p>J=1</p>  <p>Wrench</p>	<p>K=2</p>  <p>Clothes Holder</p>	<p>L=1</p>  <p>Clothes Bar 778mm</p>
<p>M=6</p>  <p>Full Overly Door Hinge</p>	<p>N=2</p>  <p>push-to-open mechanism</p>	<p>P=1</p>  <p>Wall bracket</p>	<p>CR CL DR DL=2</p>  <p>Drawer Runner 16"</p>		

1OF3 ②x2, ⑩x2, ⑰, ⑱x2,

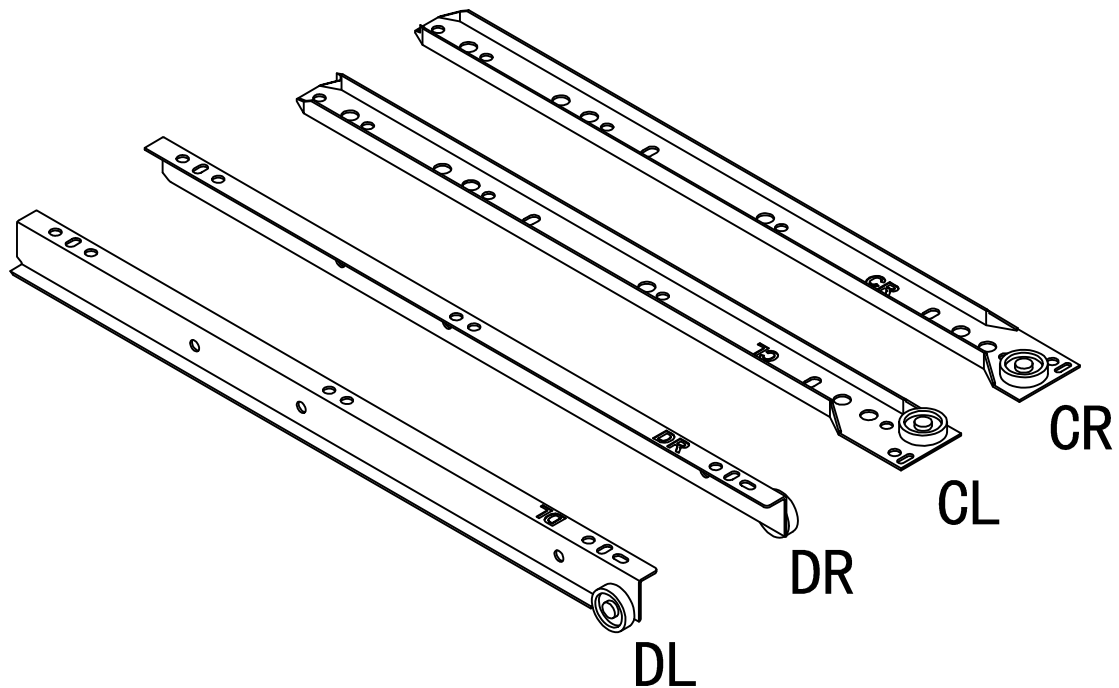
2OF3 ③, ④, ⑦x2, ⑧x2, ⑪x2, ⑬, ⑭,

3OF3 ①, ⑤, ⑥, ⑨x2, ⑫x2, ⑮, ⑯, ⑲, ⑳, FITTING KIT.

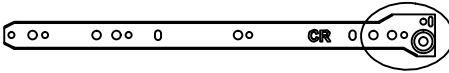
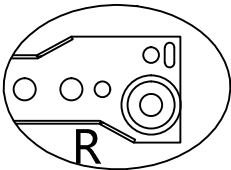
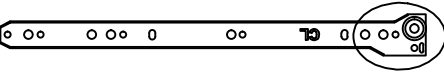
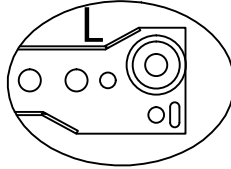

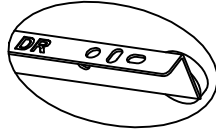
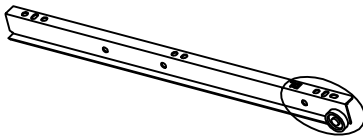
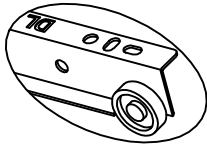
Drawer Runner Instruction

IMPORTANT - Please Read It Carefully.

NOTE: 1 PAIR DRAWER RUNNER INCLUDES 4 PIECES.

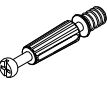

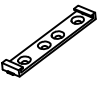


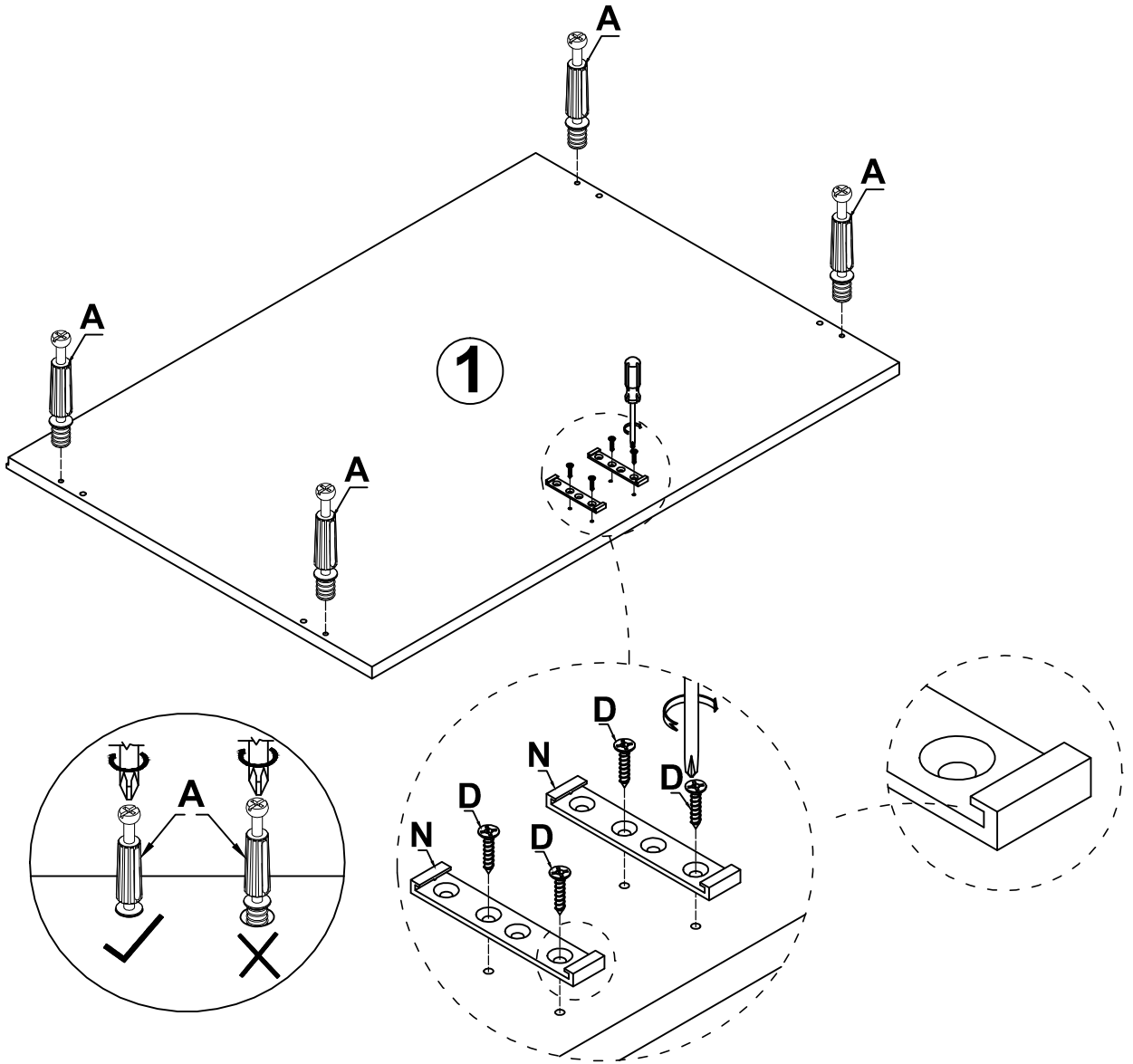
Fittings (not to scale)

NO.	DESCRIPTION	QTY		
CR	Outer Drawer Runner - Right	2PCS		
CL	Outer Drawer Runner - Left	2PCS		
DR	Inner Drawer Runner - Right	2PCS		
DL	Inner Drawer Runner - Left	2PCS		

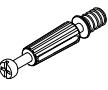
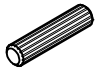
Assembly Instruction

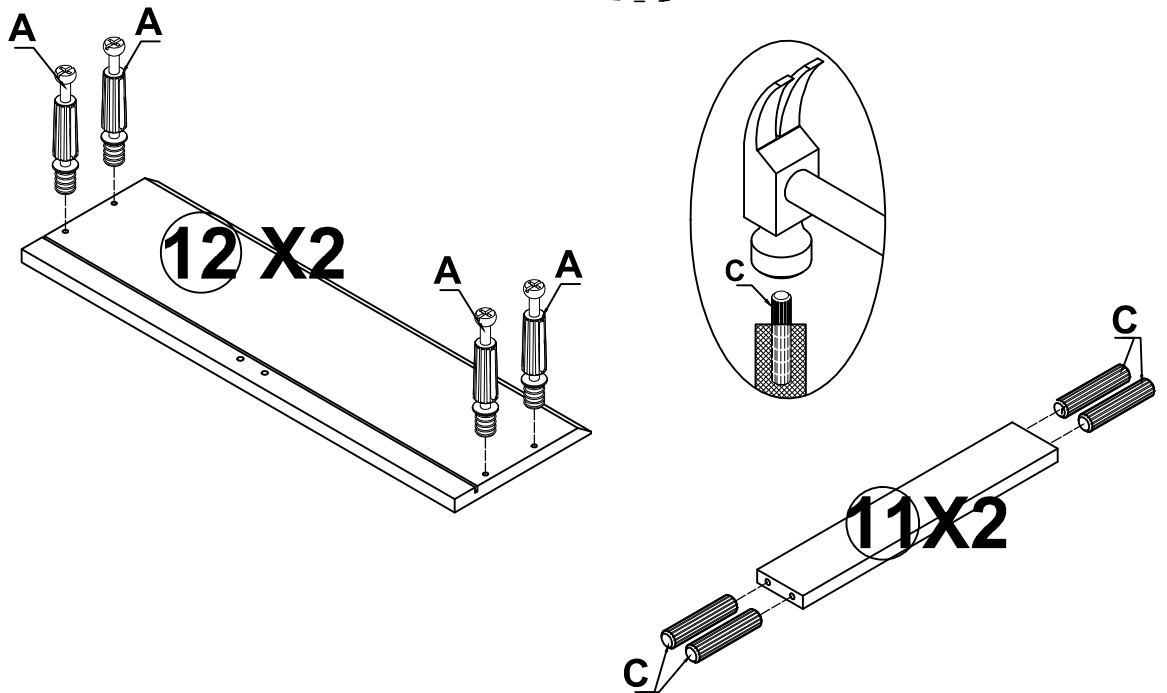
Step 1

A=4	D=4
	
Peg	Screw M3.5*14mm
N=2	
	
push-to-open mechanism	



Step 2

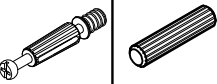
A=8	O=8
	
Peg	Dowel



Assembly Instruction

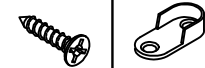
Step 3

A=4 C=8

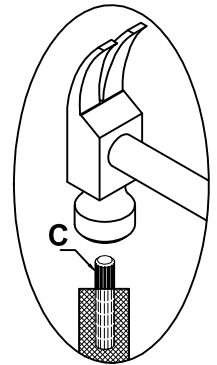
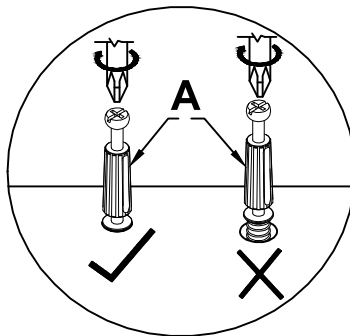
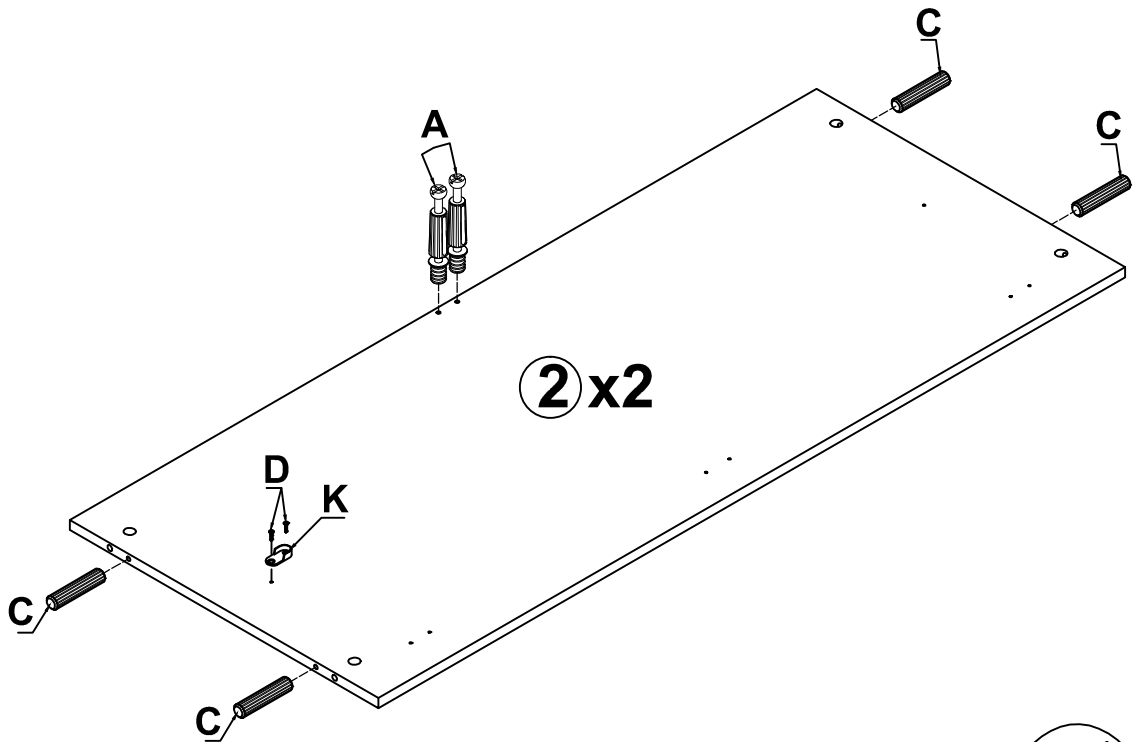


Peg Dowel

D=4 K=2

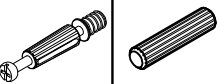


Screw M3.5*14mm Clothes Holder



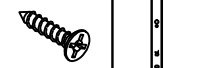
Step 4

A=12 C=8



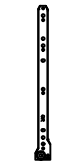
Peg Dowel

D=4 CL=1

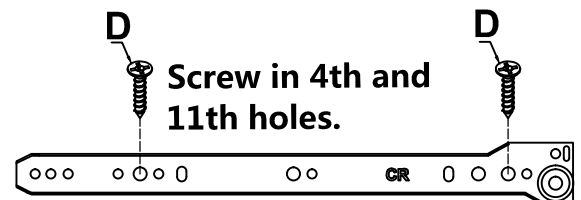
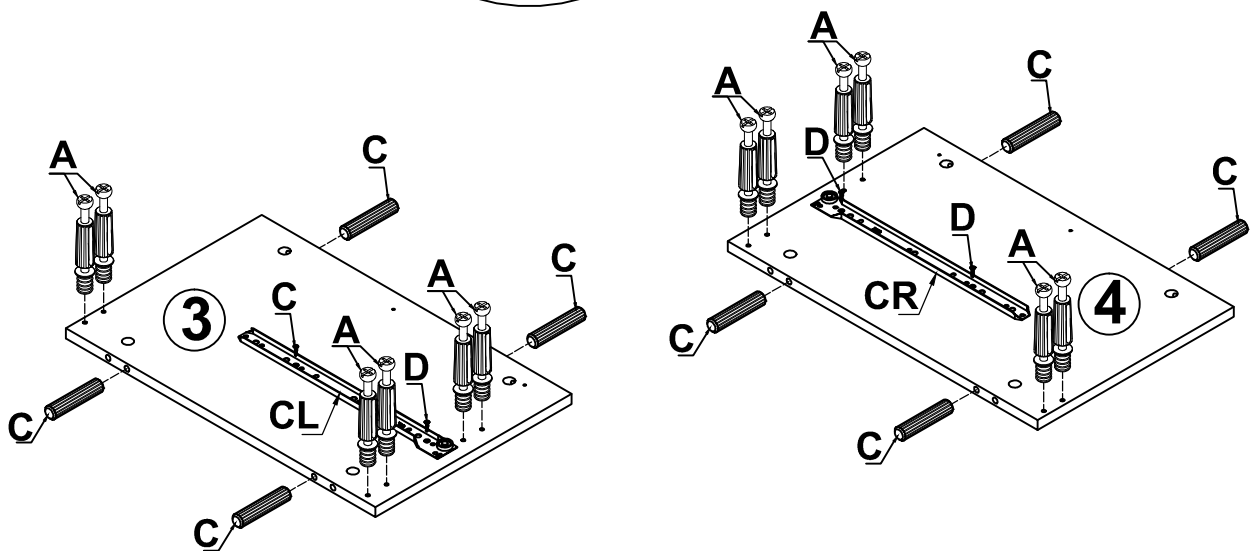


Screw M3.5*14mm Drawer Runner

CR=1


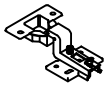





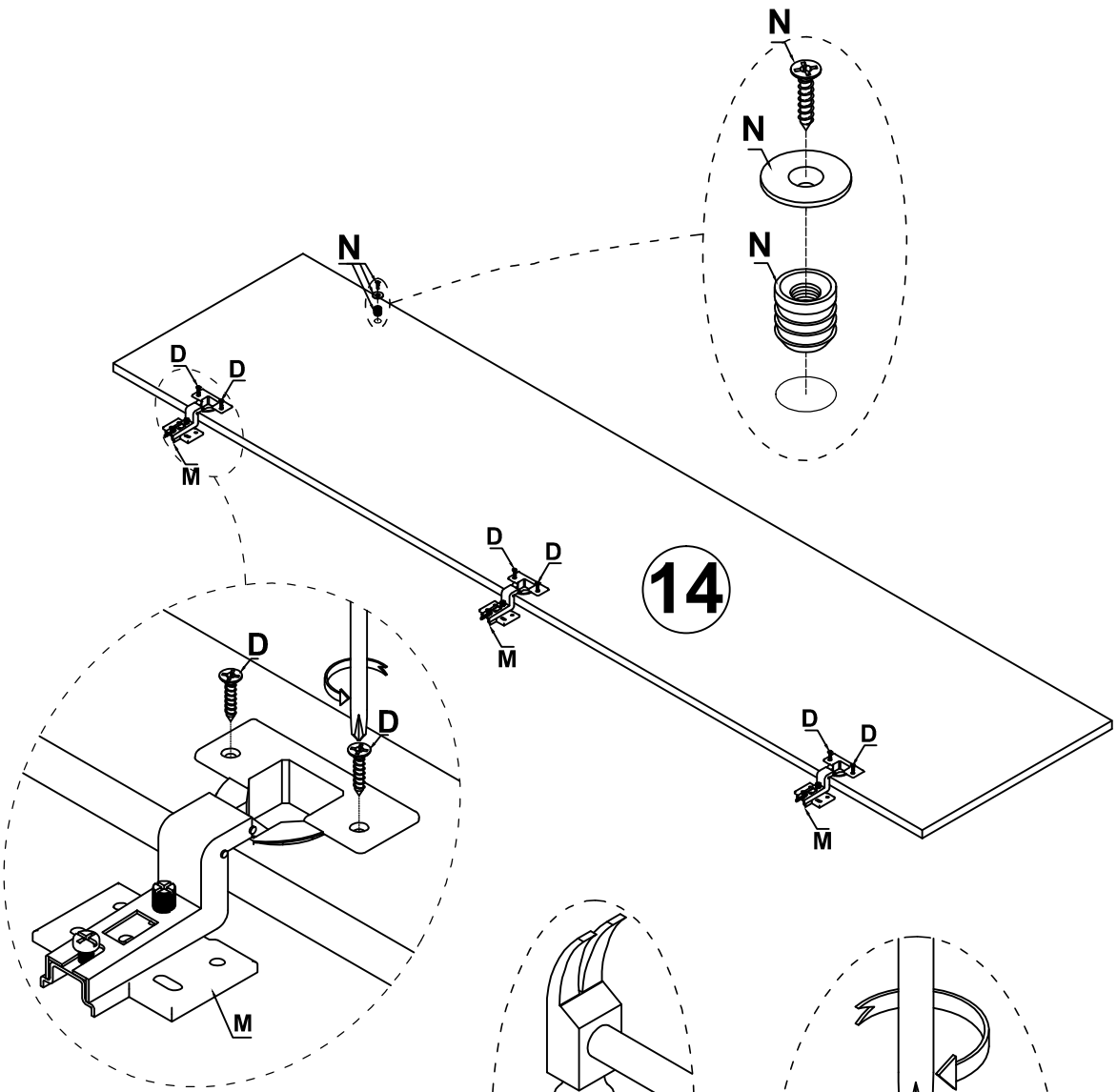
Drawer Runner




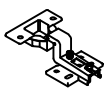



Assembly Instruction

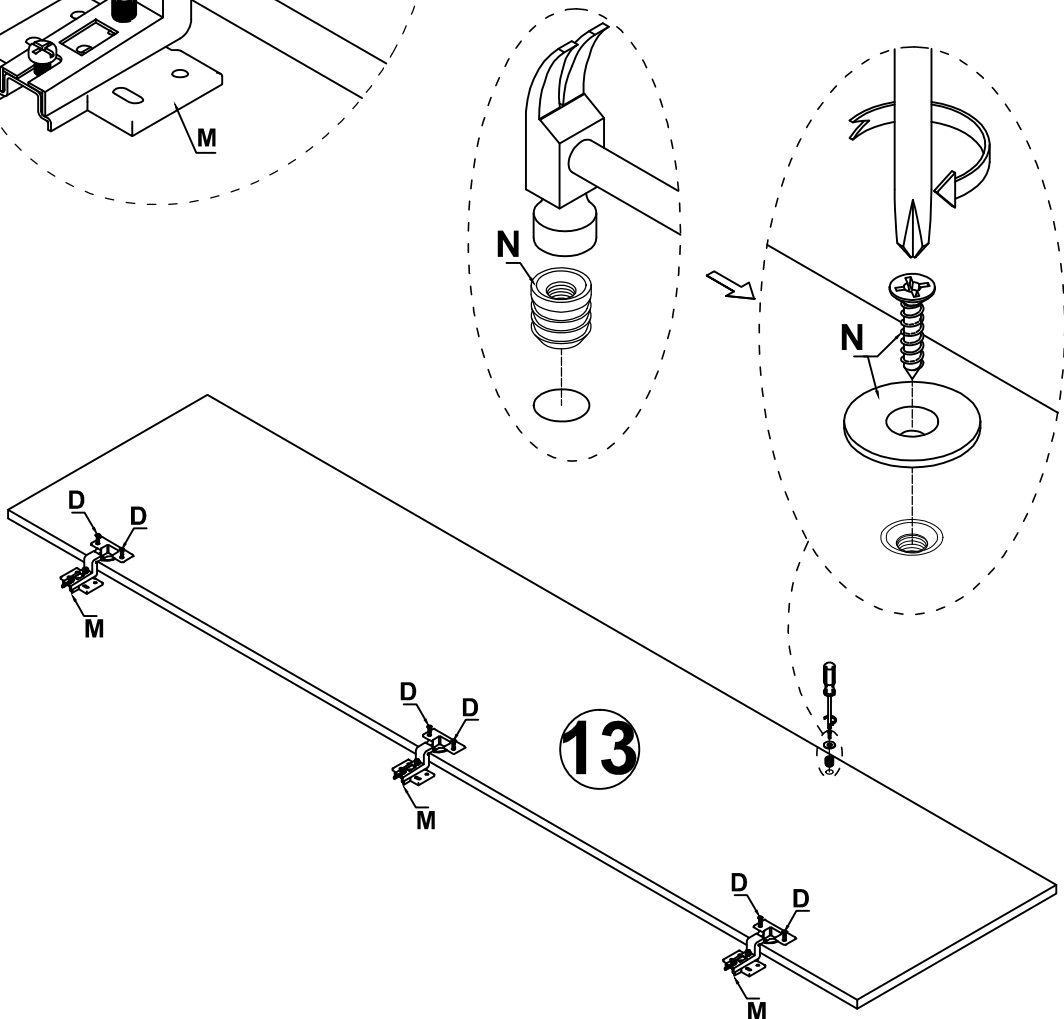
Step 5

D=6	M=3
	
Screw M3.5*14mm	Full Overly Door Hinge
N=1	
  	
push-to-open mechanism	



Step 6

D=6	M=3
	
Screw M3.5*14mm	Full Overly Door Hinge
N=1	
  	
push-to-open mechanism	



Assembly Instruction

Step 7

F=16 H=16



Screw Cap

Screw

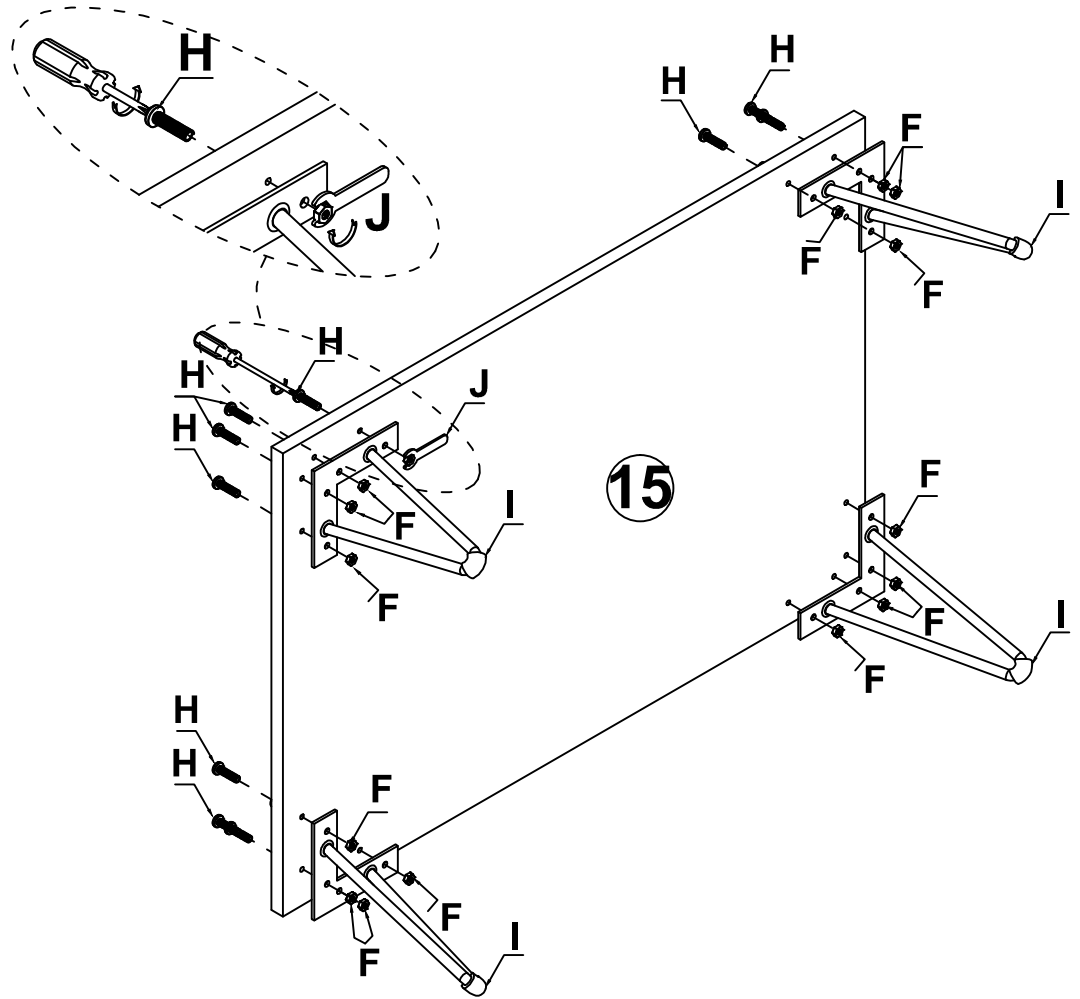
I=4

J=1



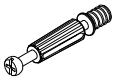
Plastic Feet

Wrench

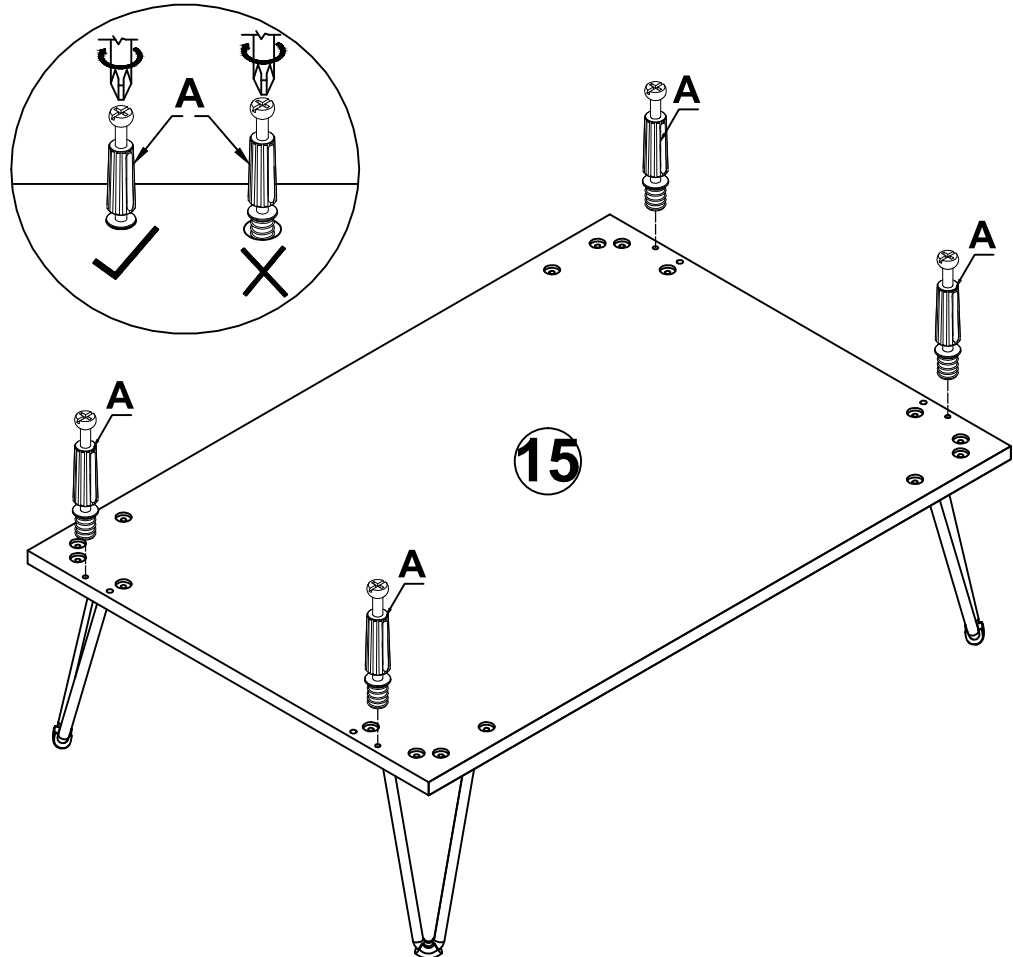


Step 8

A=4



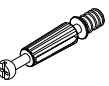
Peg



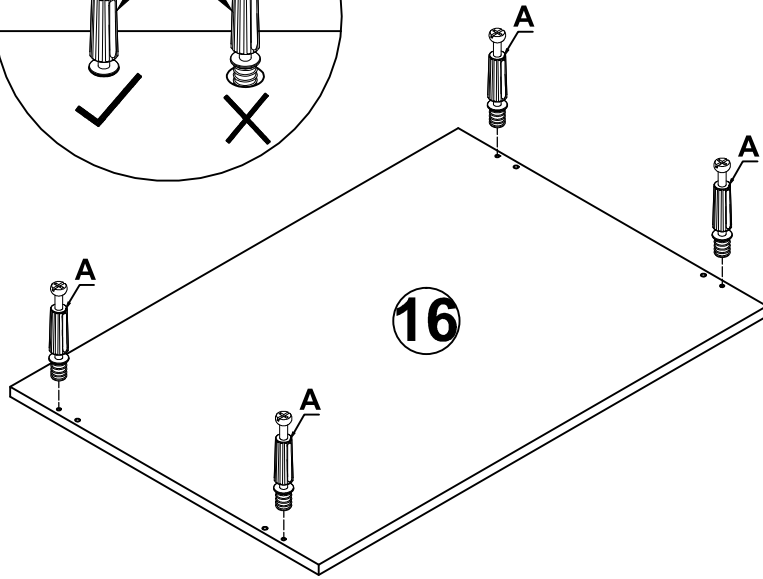
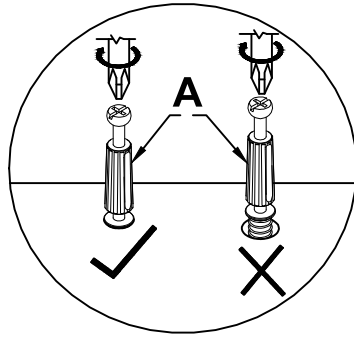
Assembly Instruction

Step 9

A=4



Peg

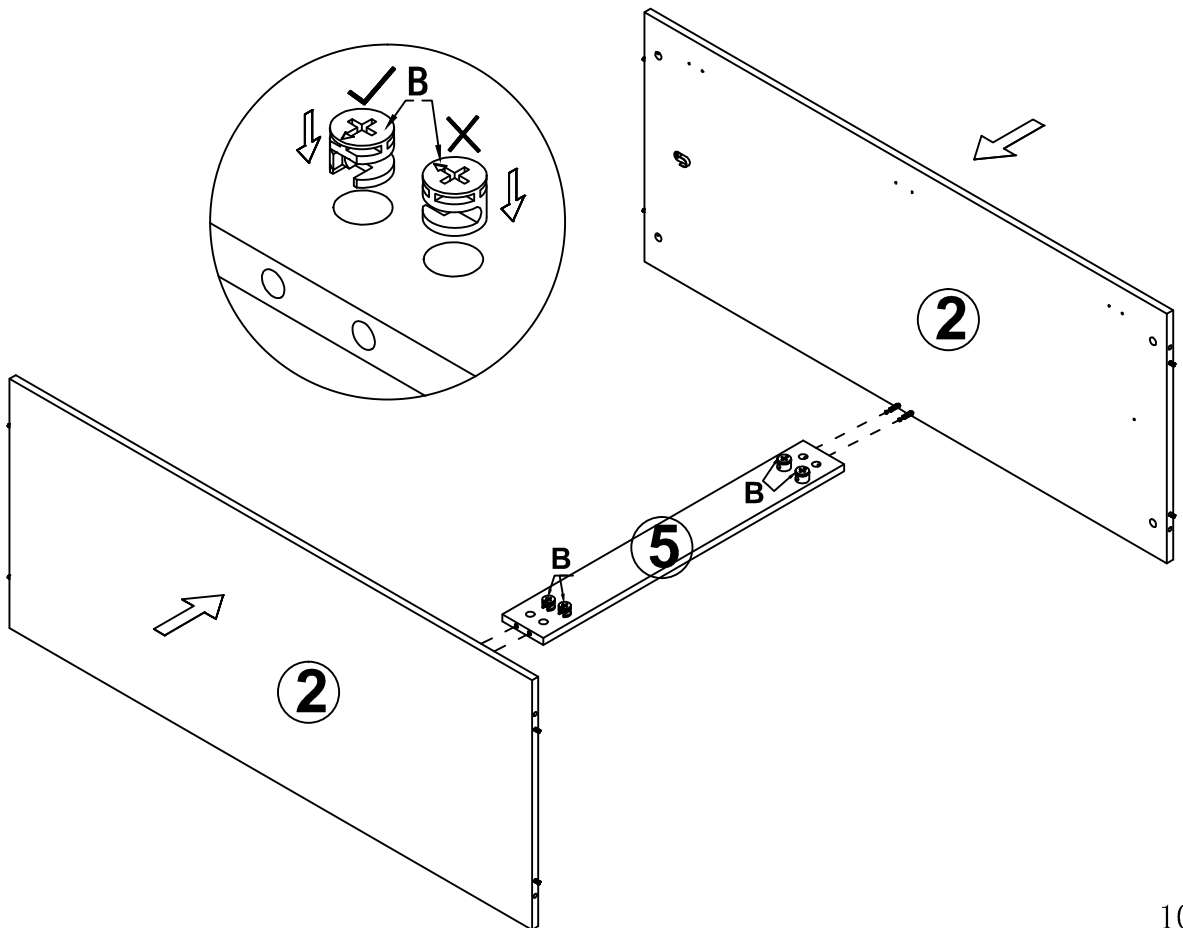
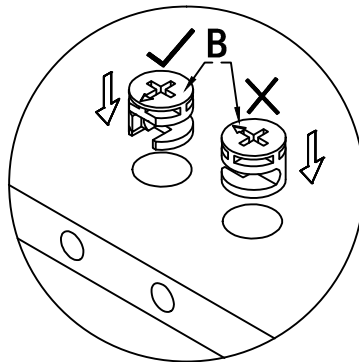


Step 10

B=4



Lock



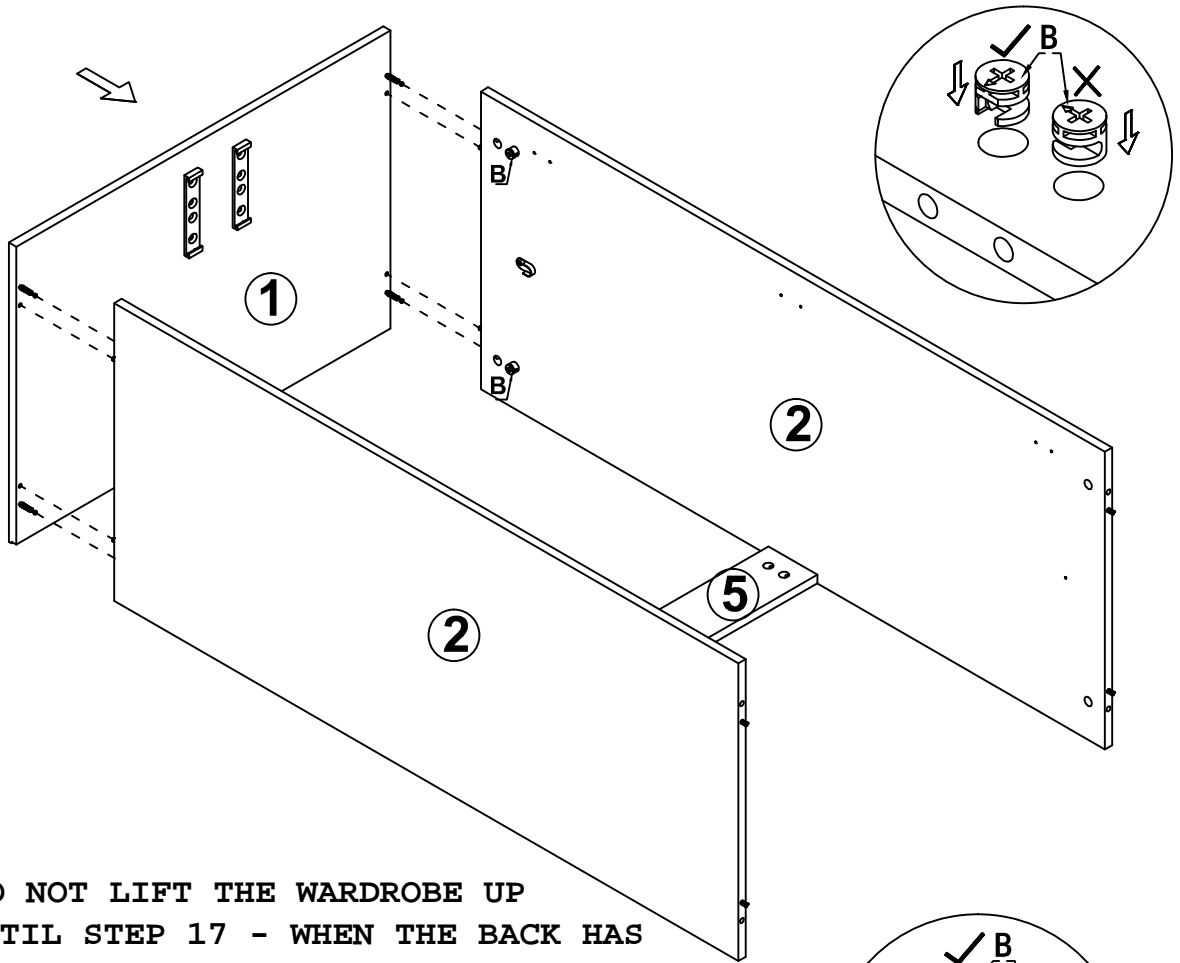
Assembly Instruction

Step 11

B=4



Lock

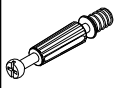


DO NOT LIFT THE WARDROBE UP
UNTIL STEP 17 - WHEN THE BACK HAS
BEEN FITTED

Step 12

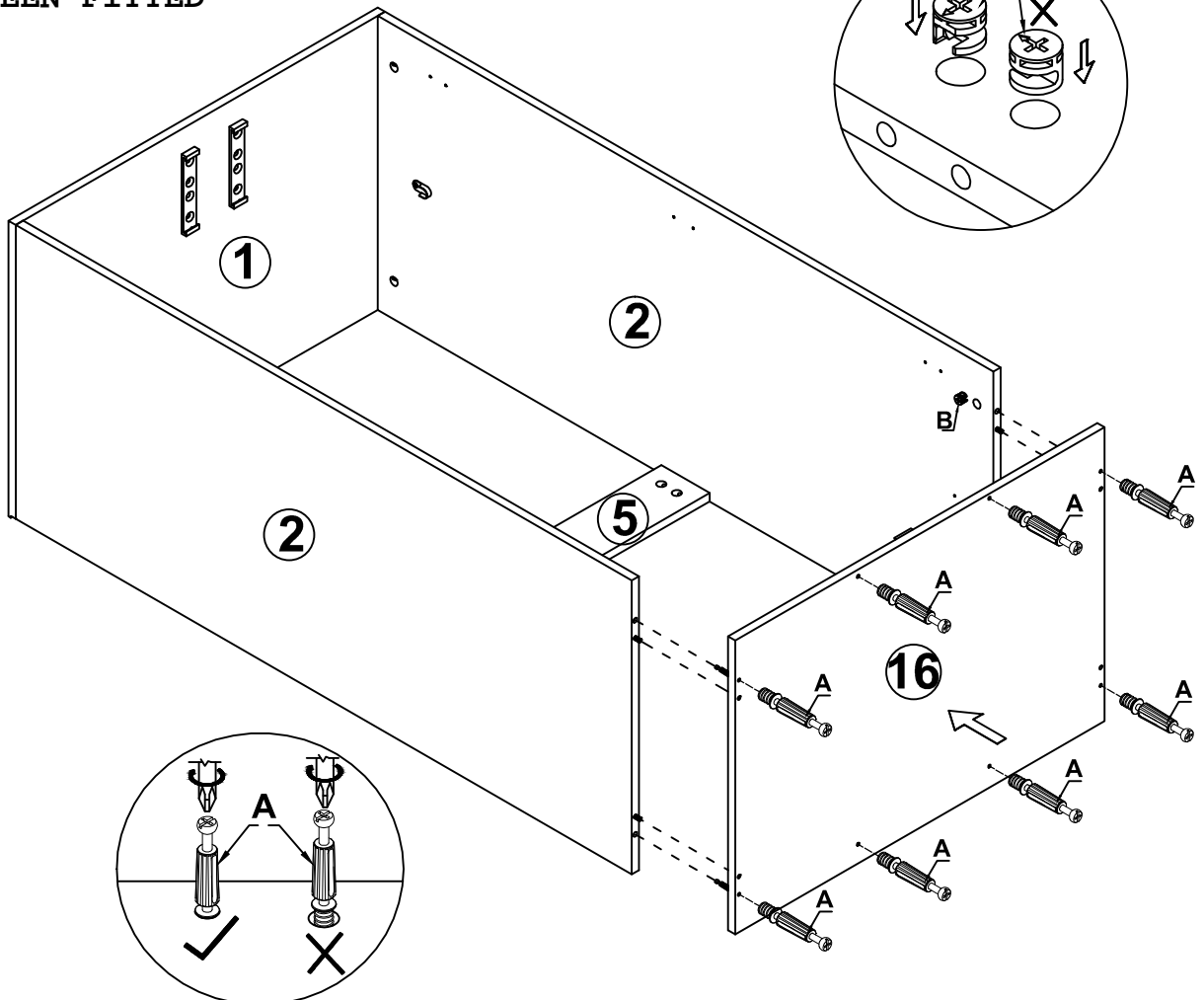
B=4

A=8



Lock

Peg



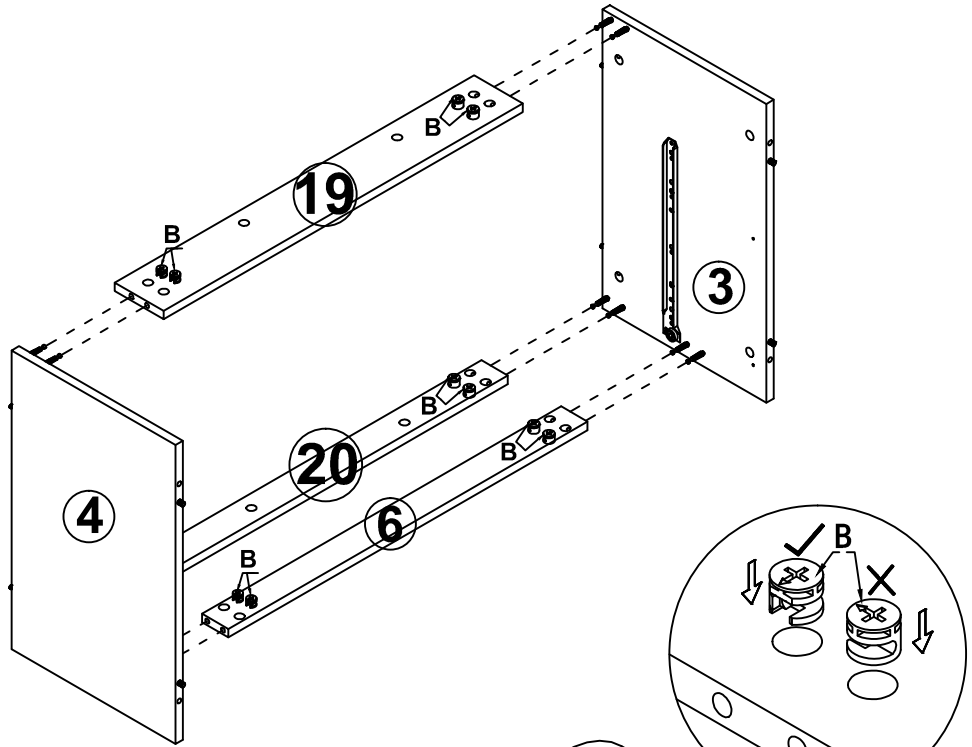
Assembly Instruction

Step 13

B=12



Lock



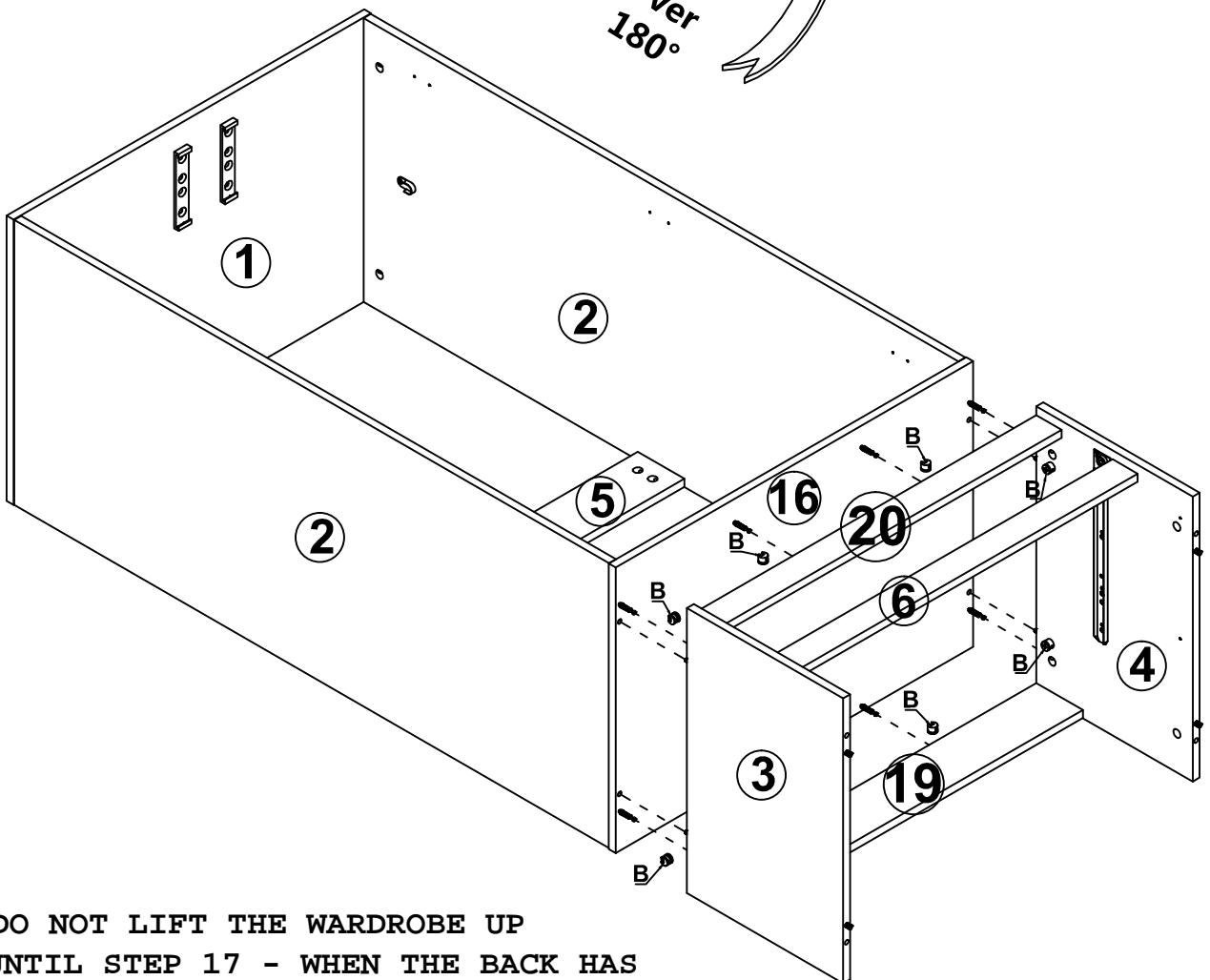
Turn Over
180°

Step 14

B=8



Lock



DO NOT LIFT THE WARDROBE UP
UNTIL STEP 17 - WHEN THE BACK HAS
BEEN FITTED

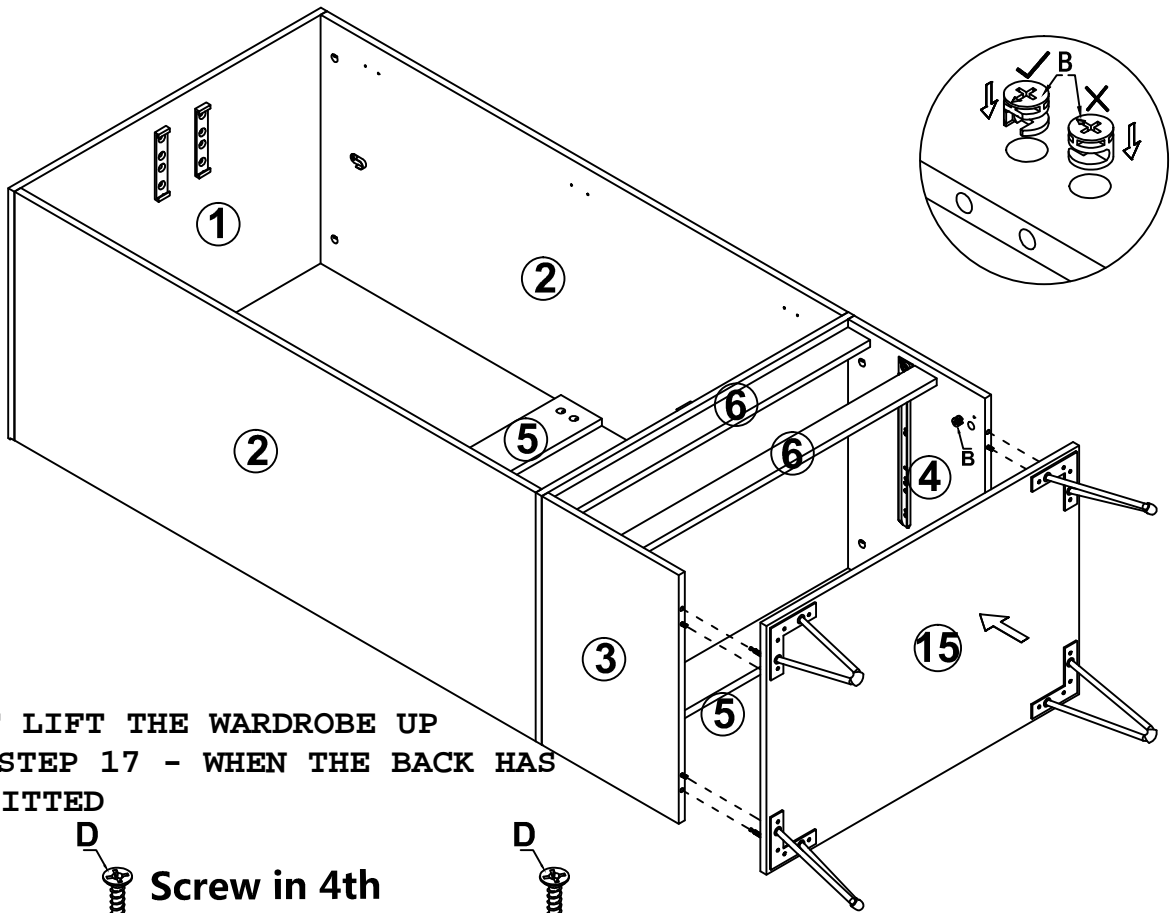
Assembly Instruction

Step 15

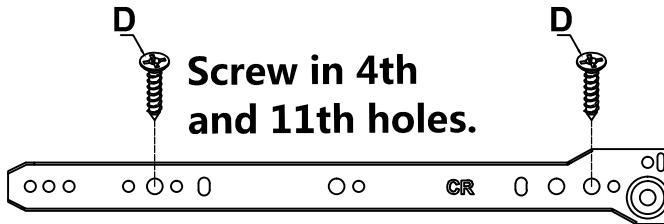
B=4



Lock



DO NOT LIFT THE WARDROBE UP UNTIL STEP 17 - WHEN THE BACK HAS BEEN FITTED



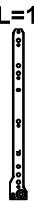
Step 16

D=4

CL=1



Screw
M3.5*14mm

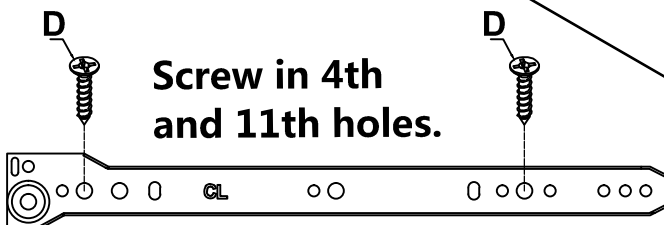
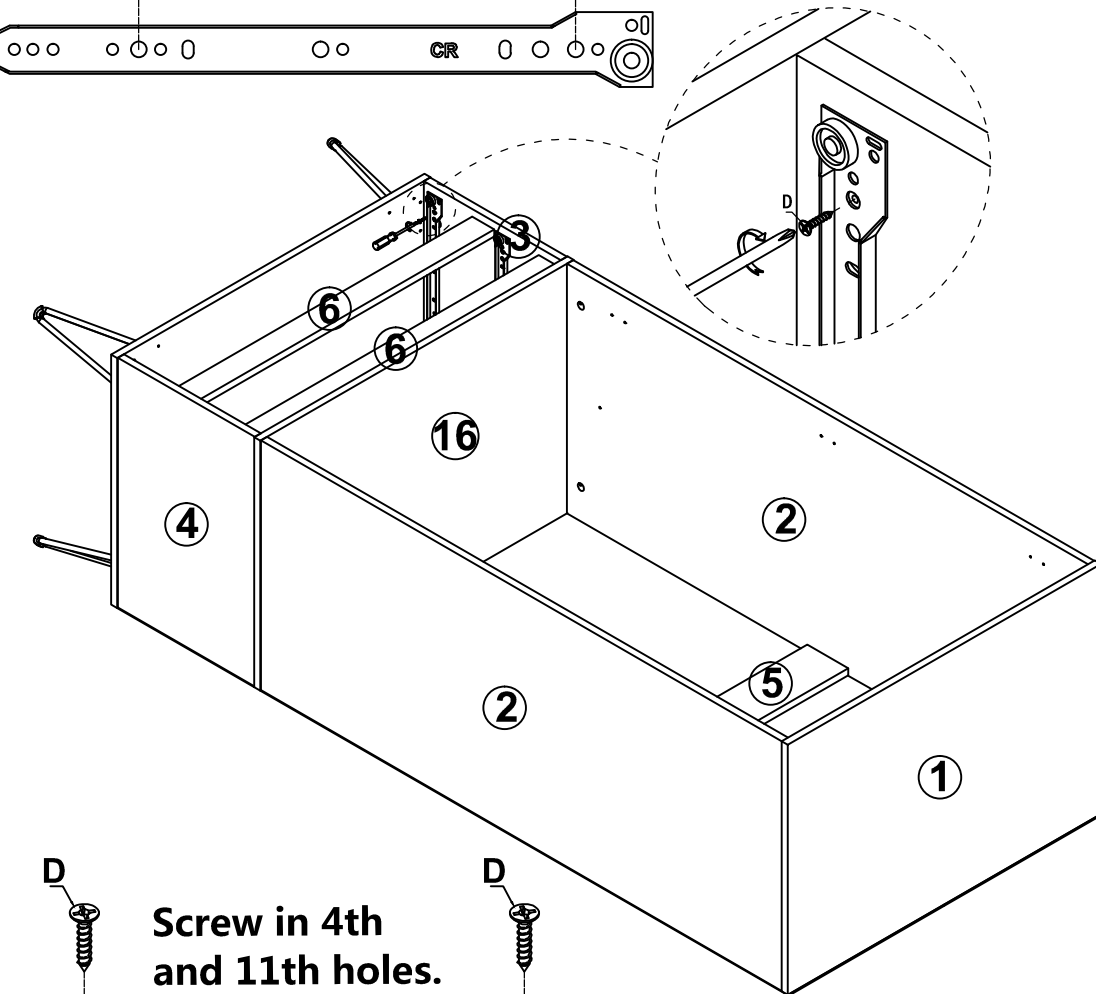


Drawer
Runner

CR=1



Drawer
Runner



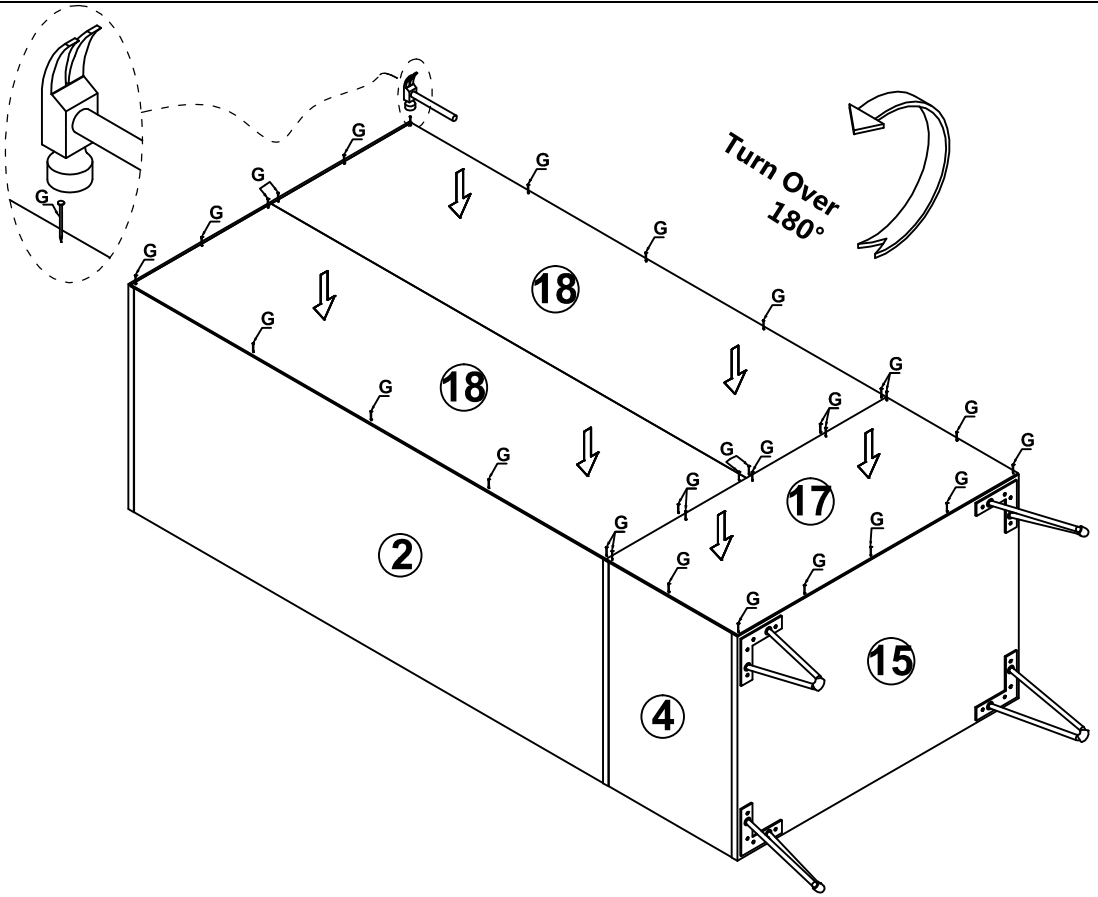
Assembly Instruction

Step 17

G=34



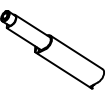
Lock



Step 18

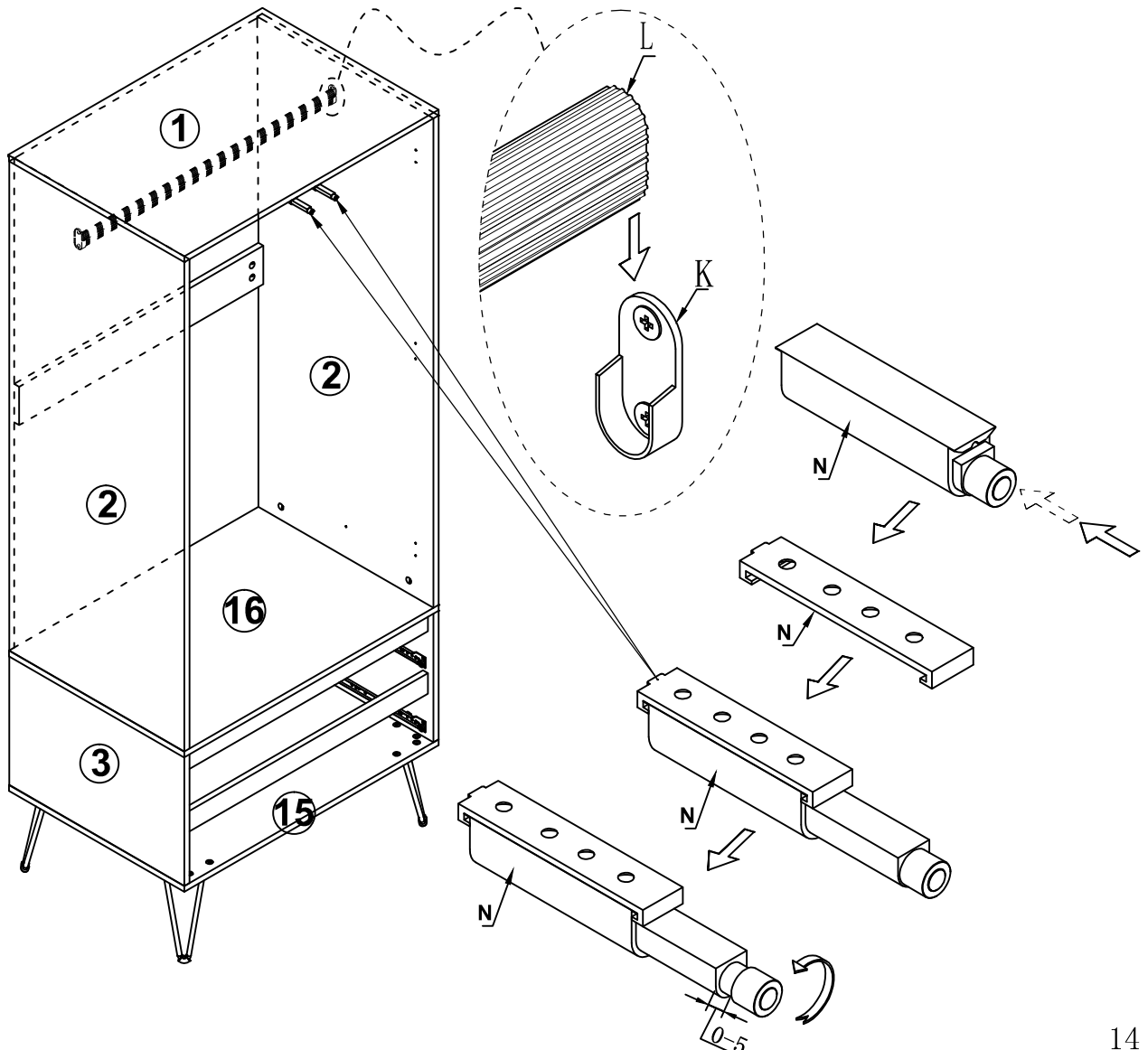
L=1

N=2



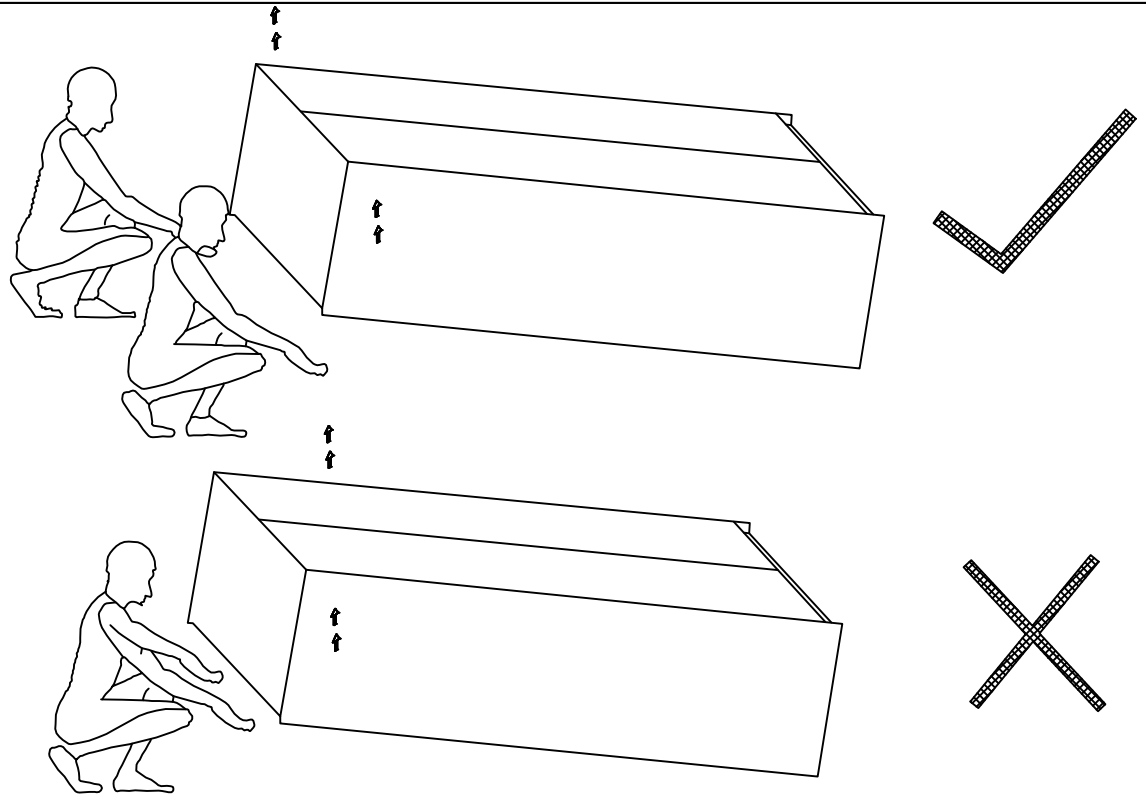
Clothes Bar

push-to-open mechanism



Assembly Instruction

Step 19

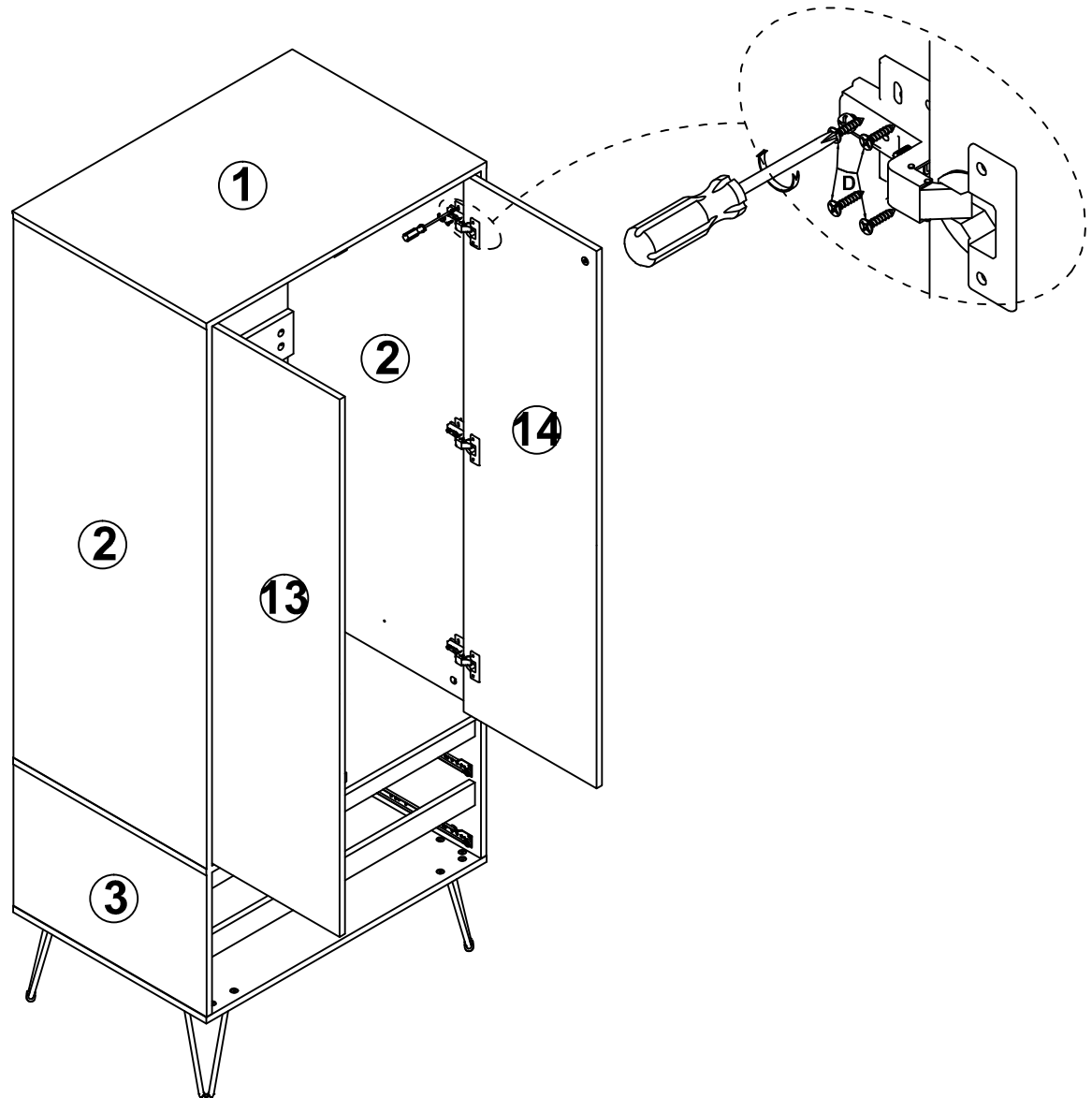


Step 20

D=24

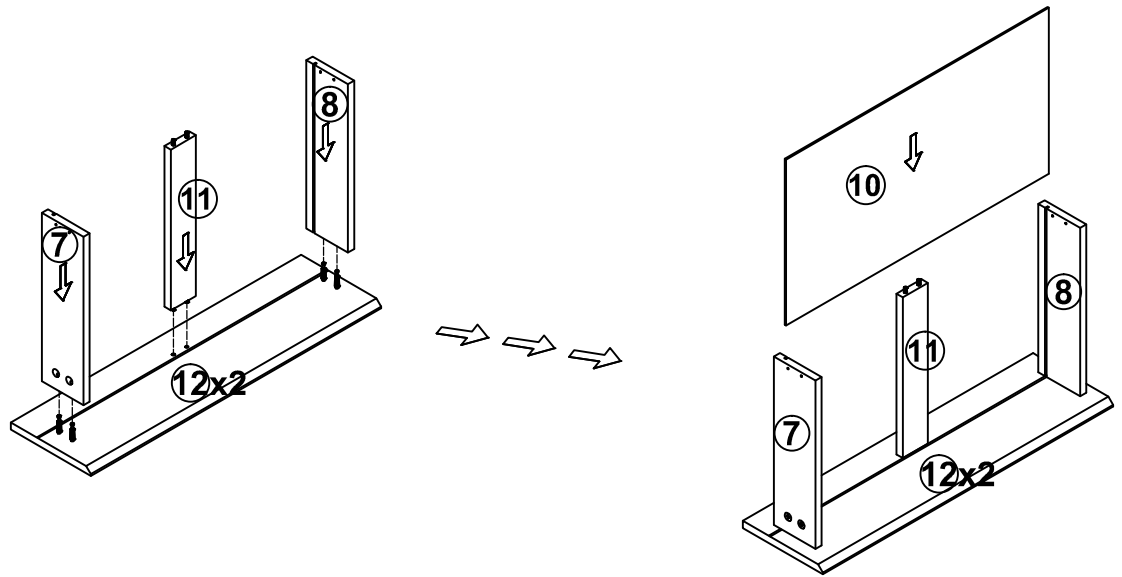


Screw
M3.5*14mm



Assembly Instruction

Step 21



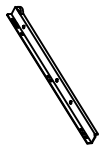
※Assembly Details

Please slide drawer bottom then fix the cam lock

Step 22

DR=2

DL=2



Drawer Runner

Drawer Runner

D=8

E=8



Screw M3.5*14mm

Screw M4*38

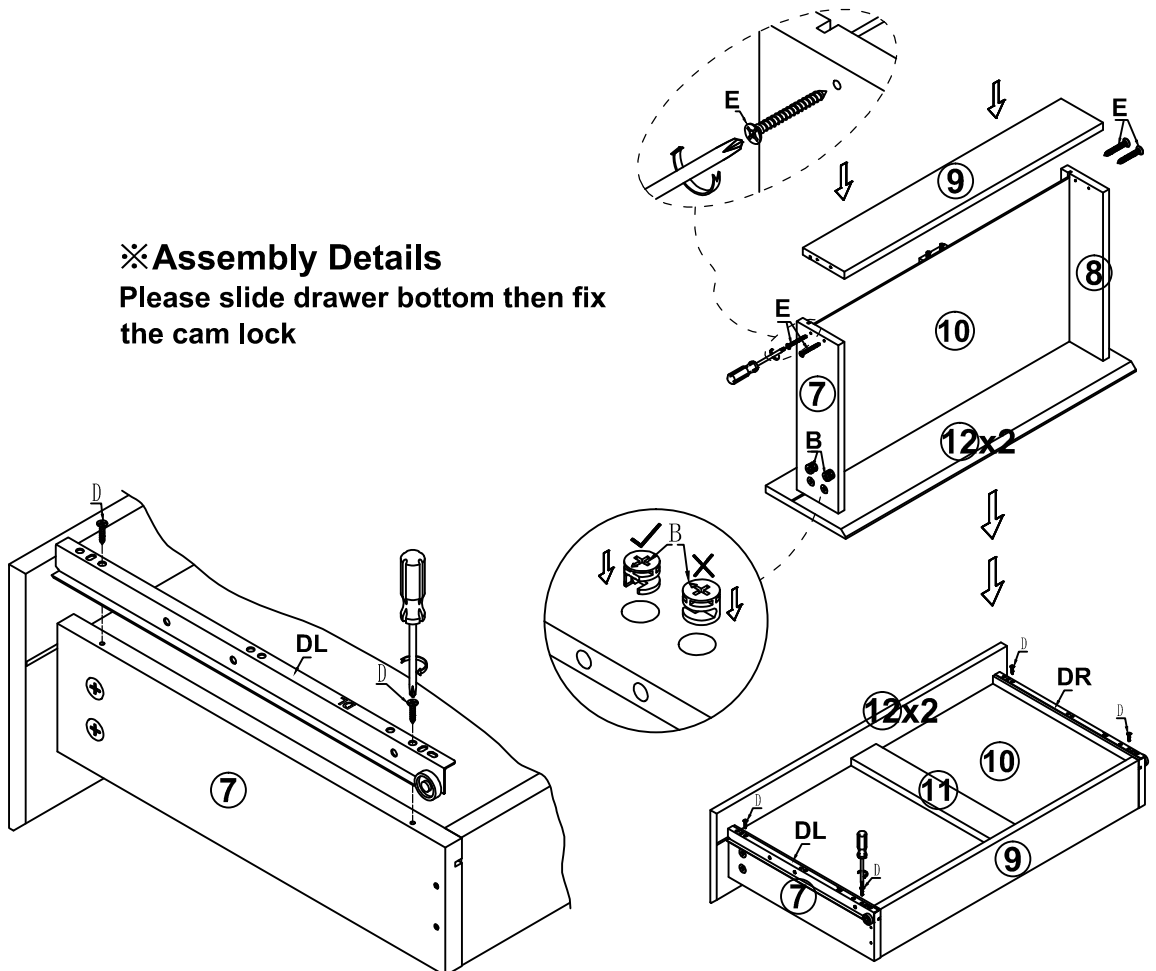
B=8



Lock

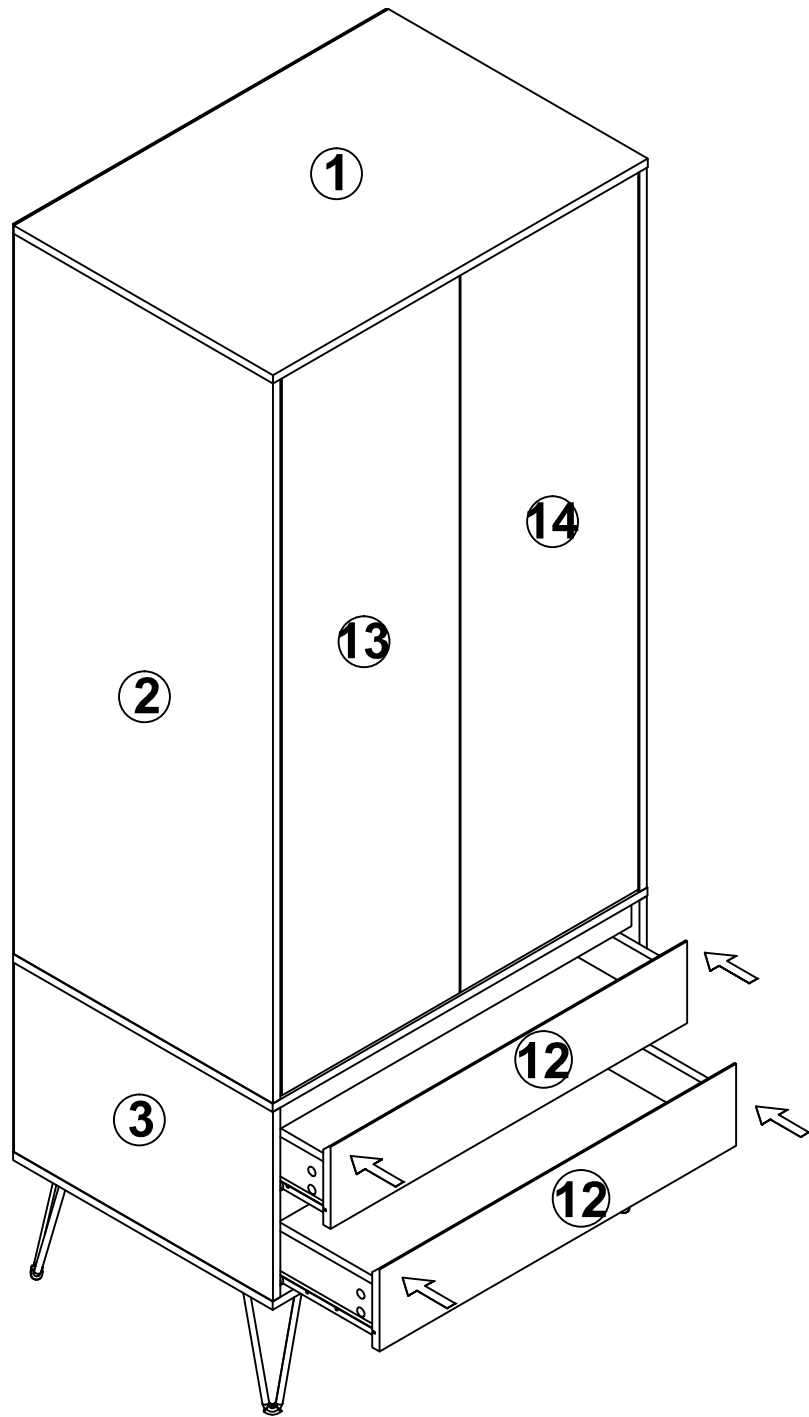
※Assembly Details

Please slide drawer bottom then fix the cam lock



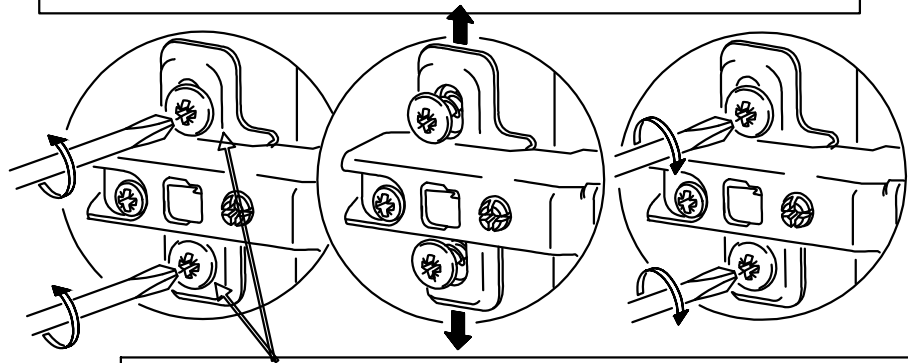
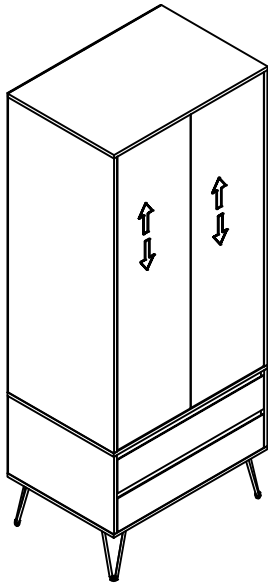
Assembly Instruction

Step 23

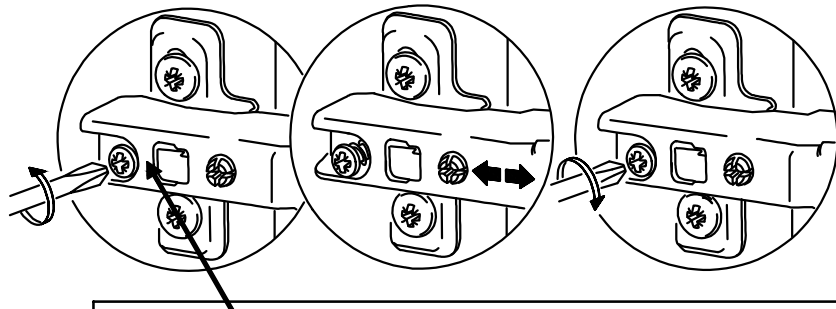
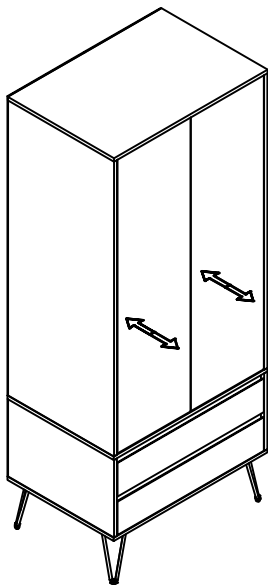




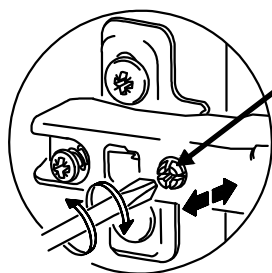
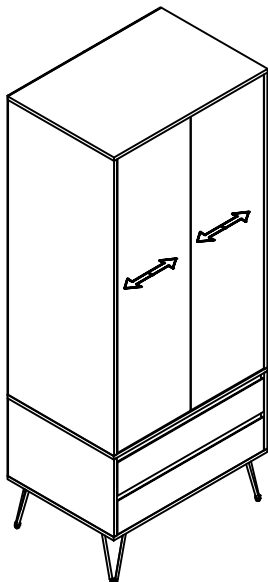
Customer Attention:
To Align Doors & Control Gap In Between Doors.
 Product doors may need adjusting during & after assembly or once wardrobe contains clothing.
 This can be done by adjusting appropriate screws.
 See below illustration.



Vertical Door Adjustment:
 Loosening both screws on all hinges and lift the door to desired height. This allows an even space at the top and bottom between door and wardrobe frame.



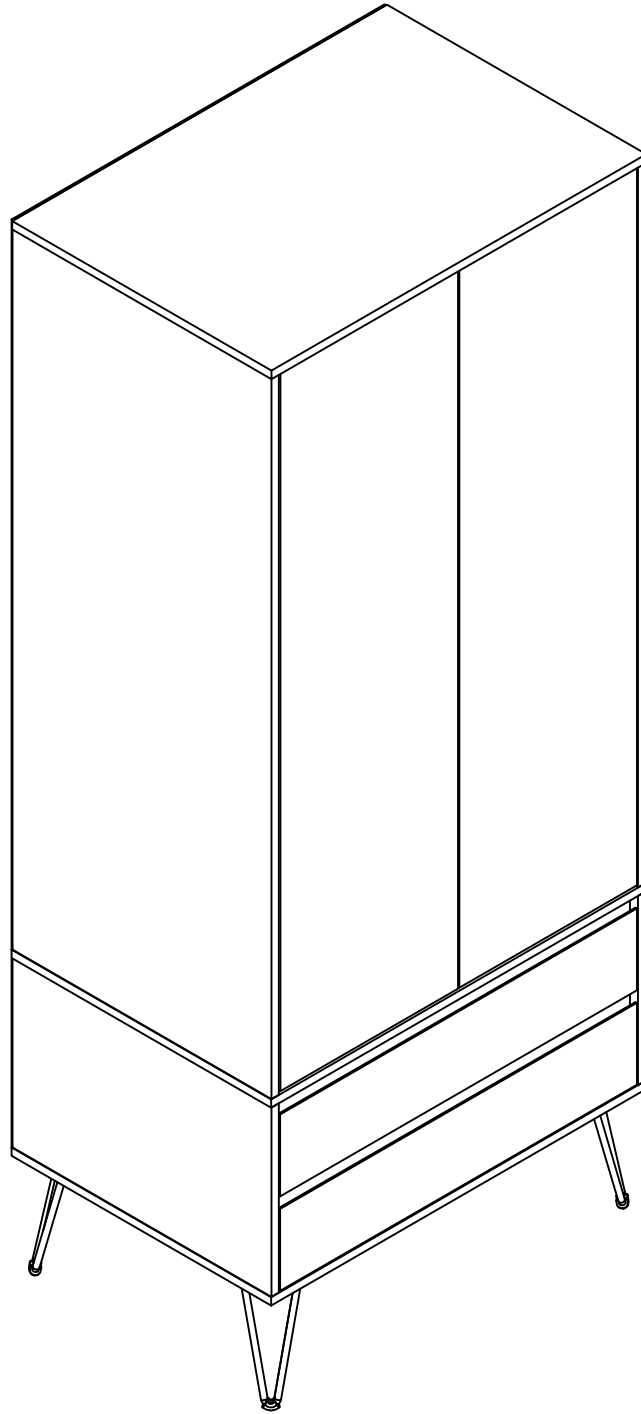
Lateral Door Adjustment:
 If door is hinge bound, (rubbing on frame as you close or open door) loosening screw shown and move the door in appropriate direction. (In or out)



Horizontal Door Adjustment:
 Rotate Screw clock wise or anti clockwise. This will produce an even gap between doors and frame.

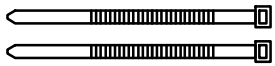
Assembly Instruction

Step 25



OK

P=1



Wall bracket

