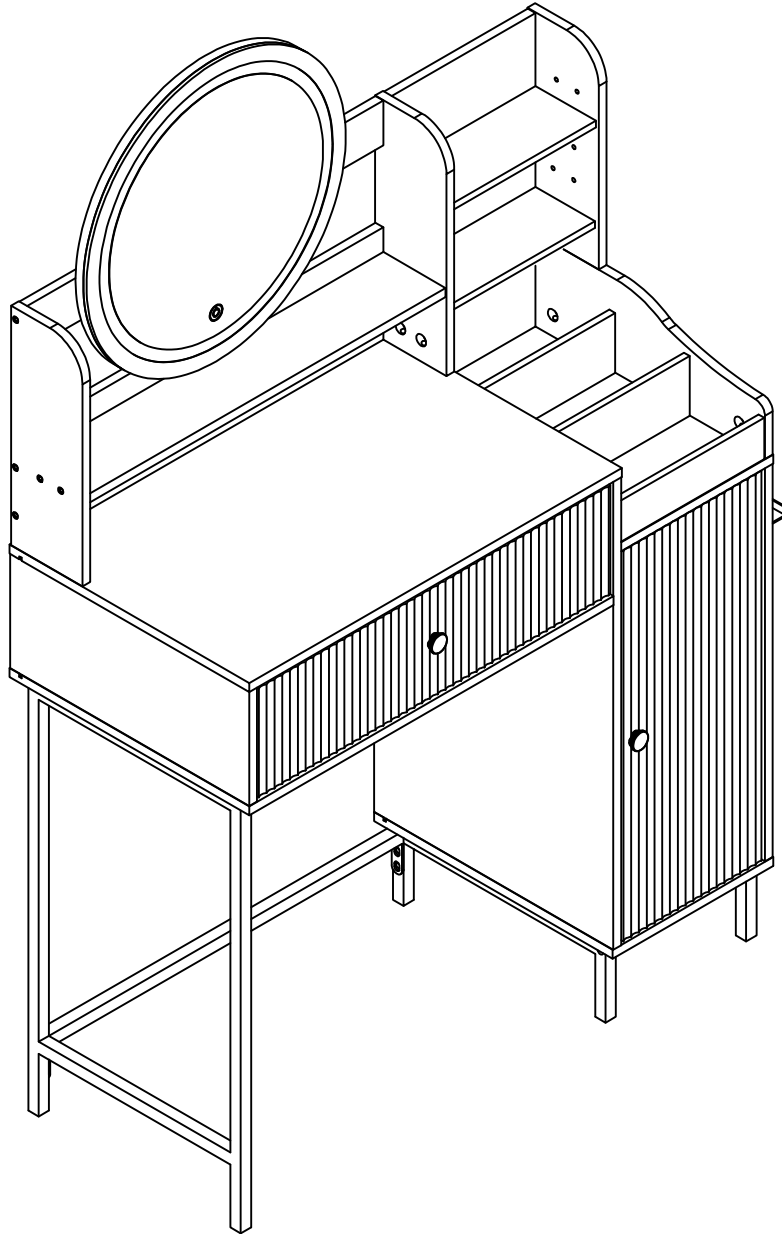


Installation Instruction



Assembling

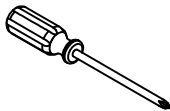
Estimated time for assembly



45 : 00

What you need

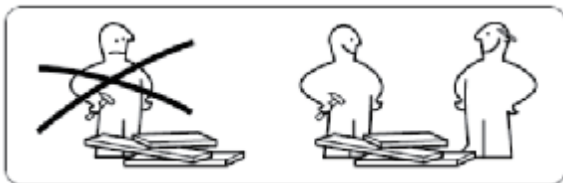
- Use the packaging carton as a working surface to prevent product damage during assembly
- Phillips head screwdriver



Weight Limitation



100 | **35**
lbs table top lbs per



What' included

| Code | Description | Qty |
|------|------------------------|-----|
| A | Cam Bolt M6X35MM | 29 |
| B | Cam Lock 15X9MM | 29 |
| C | Wooden Dowel M6X30MM | 29 |
| D | Screw M4X40MM | 31 |
| E | Screw M3.5X14MM | 2 |
| F | Metal shake handhandle | 2 |
| G | Nylon Strap | 2 |
| H | Screw M3.0X12MM | 33 |
| I | Screw M6X35MM | 4 |
| J | The back button | 12 |
| K | Anchor | 2 |
| L | Extension cord | 1 |
| M | Screw M6X25MM | 8 |
| N | Ron absorption | 2 |
| O | Shelf Holder | 12 |
| P | Metal handle | 2 |
| Q | Wrench M4X55MM | 1 |
| R | Cam Bolt M4X18MM | 2 |
| S | The bolt | 2 |
| T | Screw M6X12MM | 4 |

Assembling

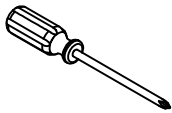
Estimated time for assembly



45 : 00

What you need

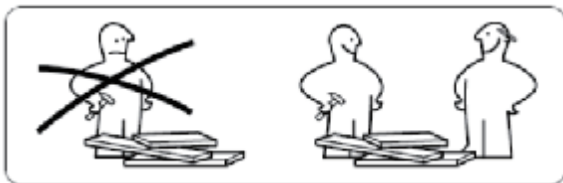
- Use the packaging carton as a working surface to prevent product damage during assembly
- Phillips head screwdriver



Weight Limitation



100 | **35**
lbs table top lbs per

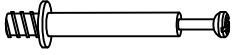


What' included

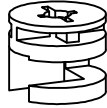
| Code Description | Qty |
|--------------------------------|-----|
| U Screw M6X20MM | 3 |
| CL Left mother extended orbit | 1 |
| CR Right mother extended orbit | 1 |
| DL Left public extension track | 1 |
| DR Right public extends track | 1 |

The Hardwares

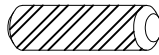
(A)



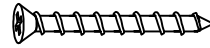
(B)



(C)



(D)



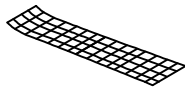
(E)



(F)



(G)



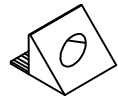
(H)



(I)



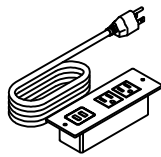
(J)



(K)



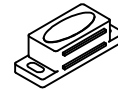
(L)



(M)



(N)



(O)



(P)



(Q)



(R)



(S)



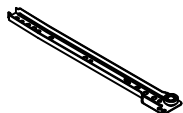
(T)



(U)



(CL)



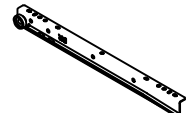
(CR)



(DL)



(DR)



IMPORTANT:

1. Do not tighten bolts / screws completely until all bolts / screws are lined up and inserted into holes.
2. Do not over tighten screws and bolts to avoid stripping
3. Please use hand tools to assemble this product. Do not use power tools.

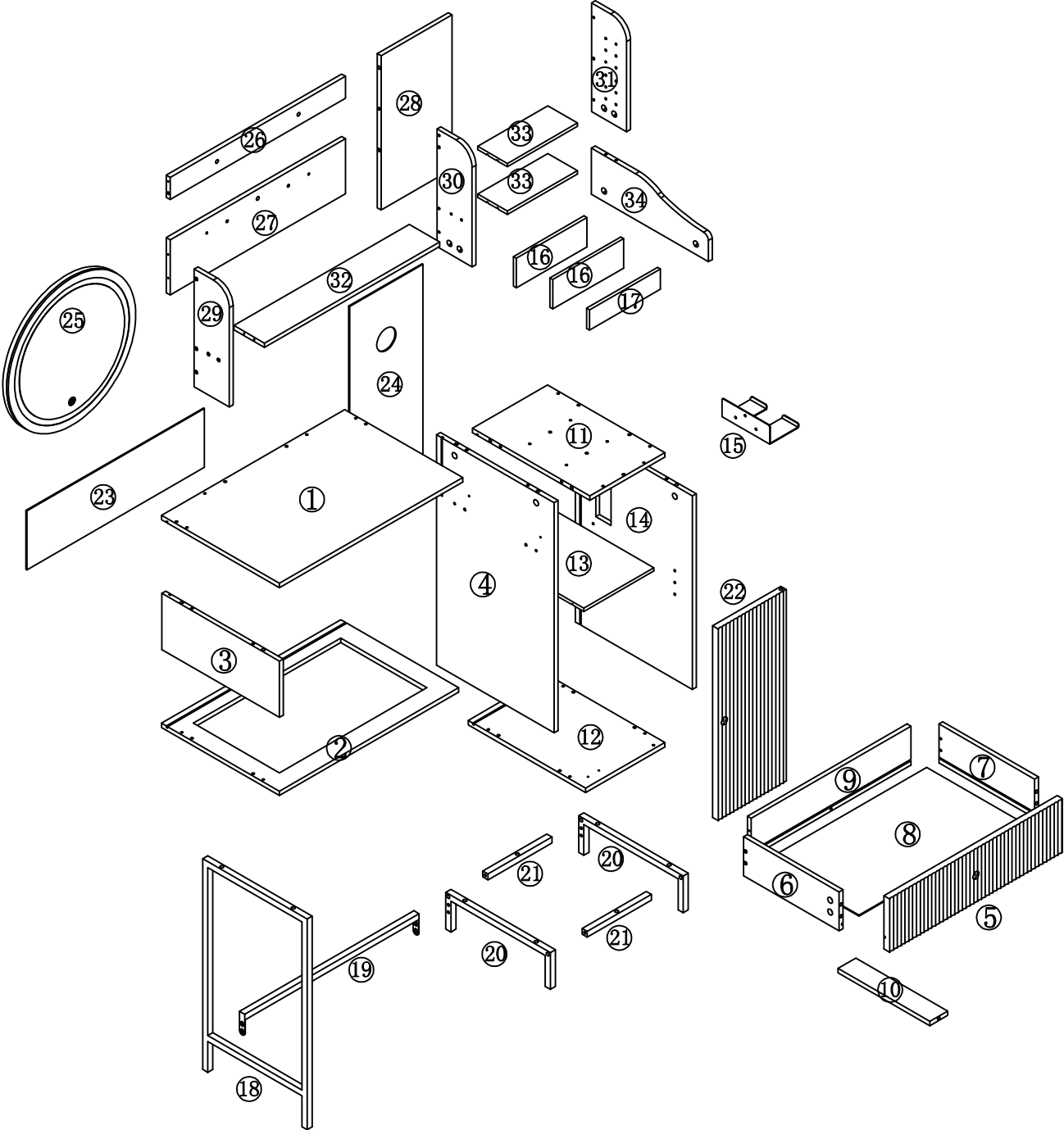
Included Accessories

| Code | Description | Qty |
|------|-------------------------|-----|
| 1 | Large panel | 1 |
| 2 | Large bottom plate | 1 |
| 3 | Left Side Panel | 1 |
| 4 | Neutral plate | 1 |
| 5 | Drawer panel | 1 |
| 6 | Drawer left panel | 1 |
| 7 | Drawer right side panel | 1 |
| 8 | The drawer bottom | 1 |
| 9 | After the drawer board | 1 |
| 10 | Reinforcing strip | 1 |
| 11 | Small panel | 1 |
| 12 | Soleplate | 1 |
| 13 | Large active layer | 1 |
| 14 | Right Side Panel | 1 |
| 15 | Hair dryer holder | 1 |
| 16 | Large baffle board | 2 |
| 17 | Flap | 1 |
| 18 | Left side frame | 1 |

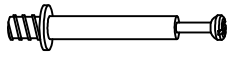

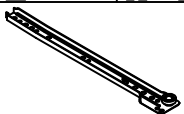
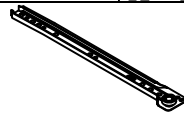
Included Accessories

| Code | Description | Qty |
|------|---------------------------|-----|
| 19 | Reinforcing rod | 1 |
| 20 | Right side frame | 2 |
| 21 | Cross bar | 2 |
| 22 | Door leaf | 1 |
| 23 | Lower left backplane | 1 |
| 24 | Lower right backplane | 1 |
| 25 | Dressing mirror | 1 |
| 26 | Narrow back brace | 1 |
| 27 | Wide back brace | 1 |
| 28 | Supradextral backplane | 1 |
| 29 | Superior left side plate | 1 |
| 30 | Upper middle side plate | 1 |
| 31 | Superior right side plate | 1 |
| 32 | Left deck | 1 |
| 33 | Movable laminate | 2 |
| 34 | Right center plate | 1 |

The Accessories

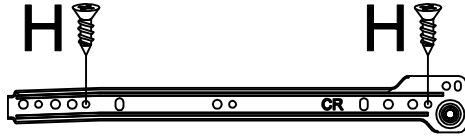


Step 1

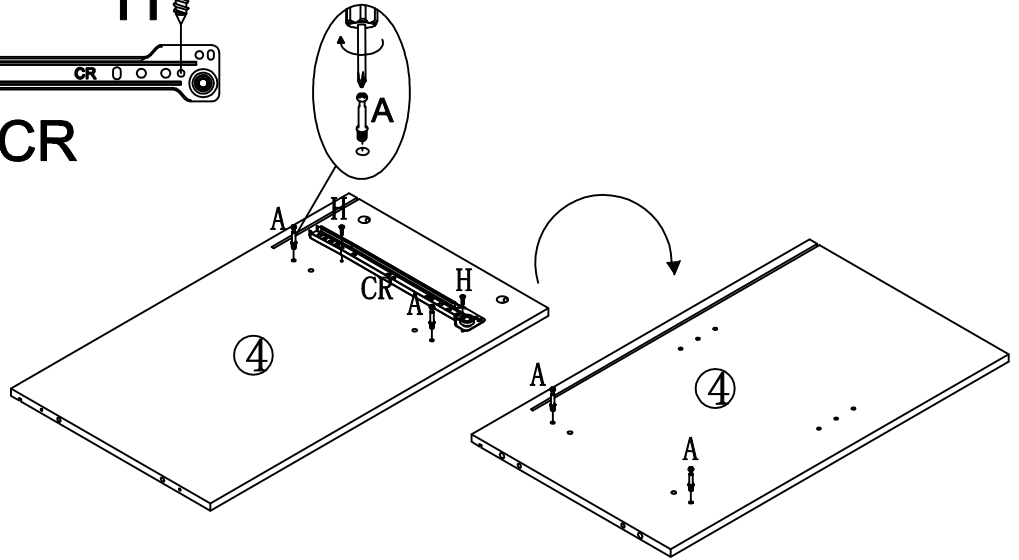
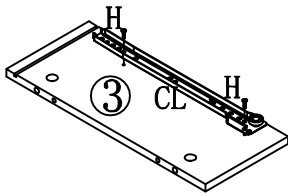
| | | | |
|--|-----|---|-----|
| A | x 4 | H | x 4 |
|  | |  | |
| CL | x 1 | CR | x 1 |
|  | |  | |



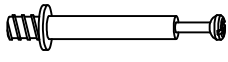


CL

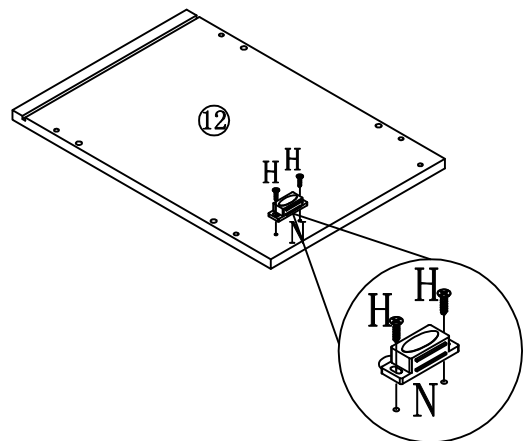
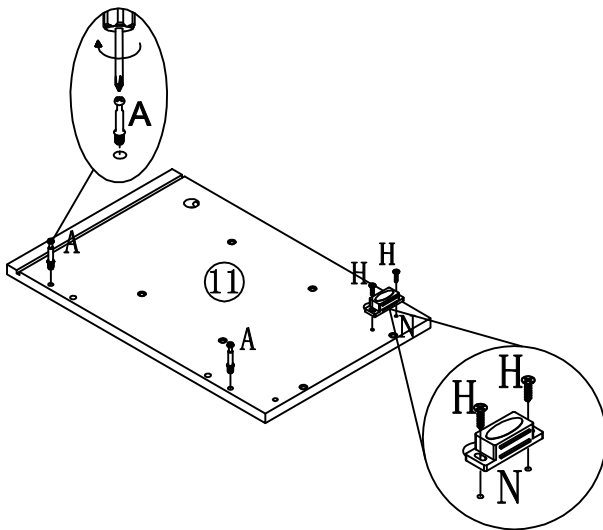


CR

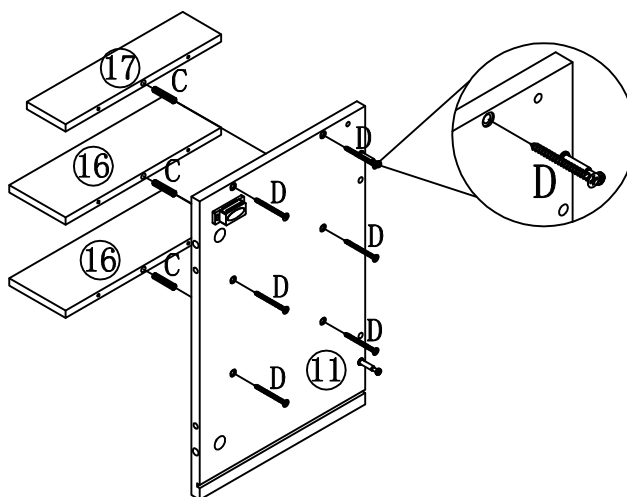
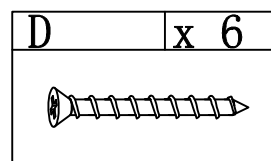
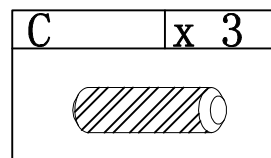


Step 2

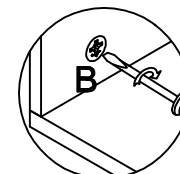
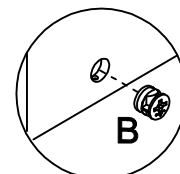
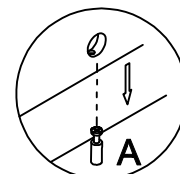
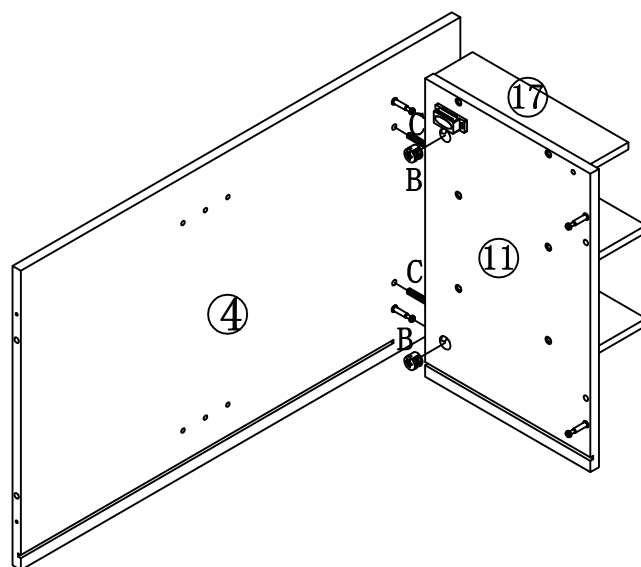
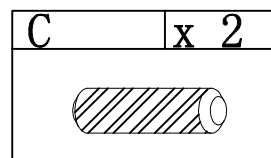
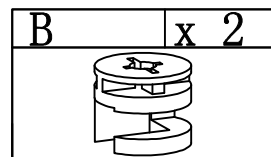
| | | | | | |
|---|-----|---|-----|---|-----|
| A | x 2 | H | x 4 | N | x 2 |
|  | |  | |  | |



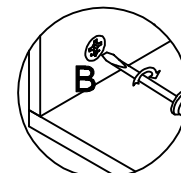
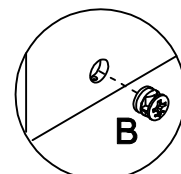
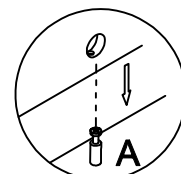
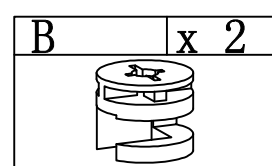
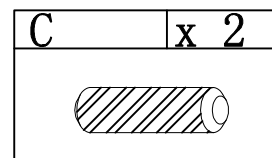
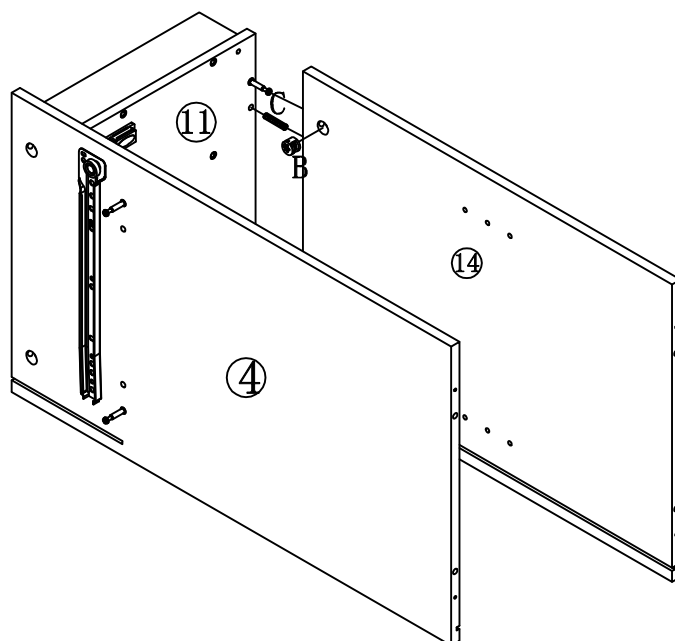
Step 3



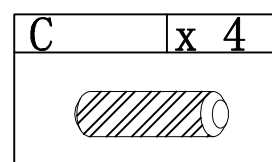
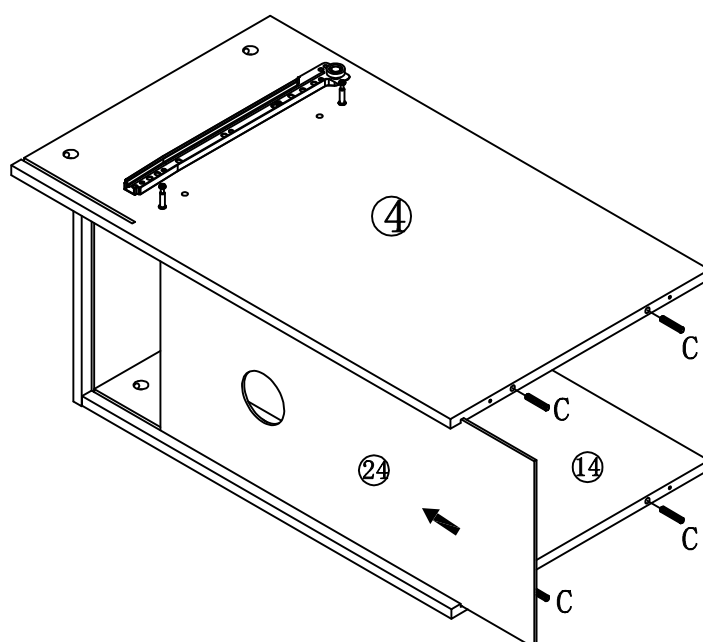
Step 4



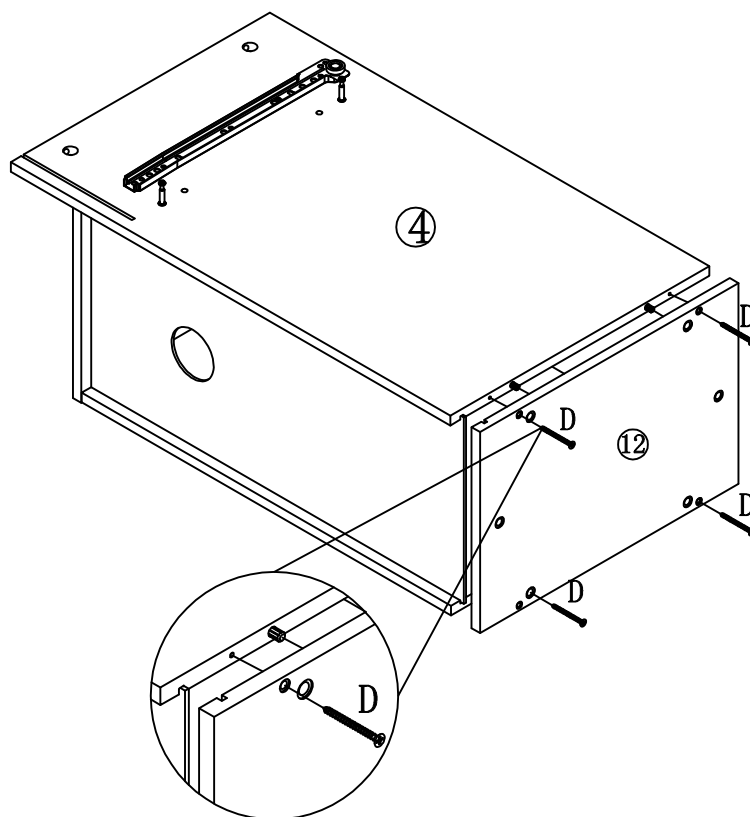
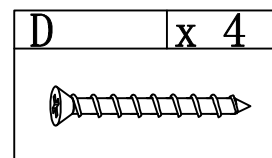
Step 5



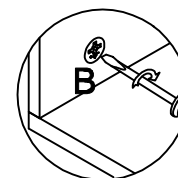
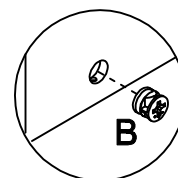
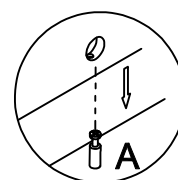
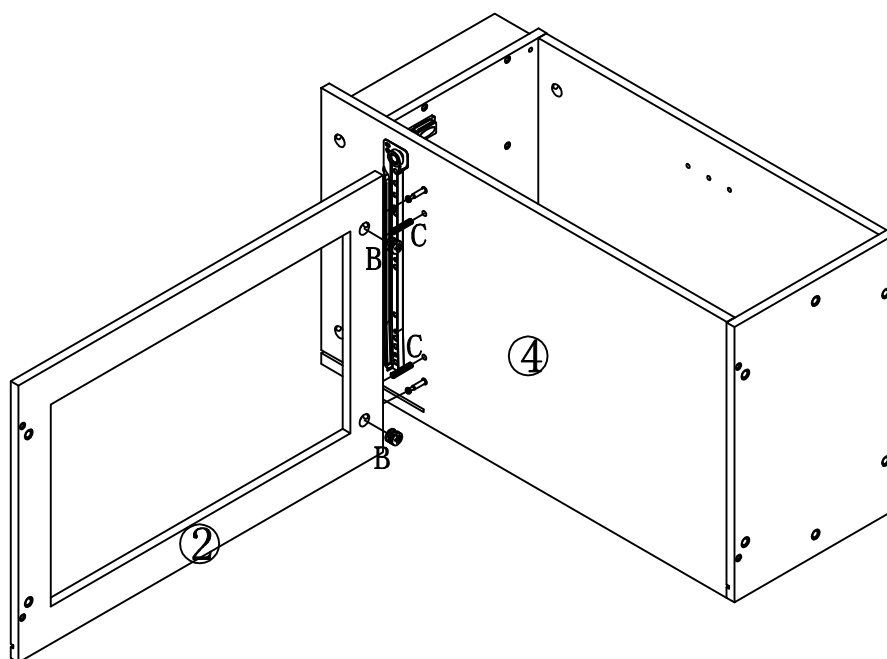
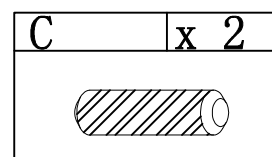
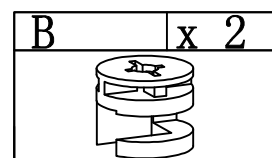
Step 6



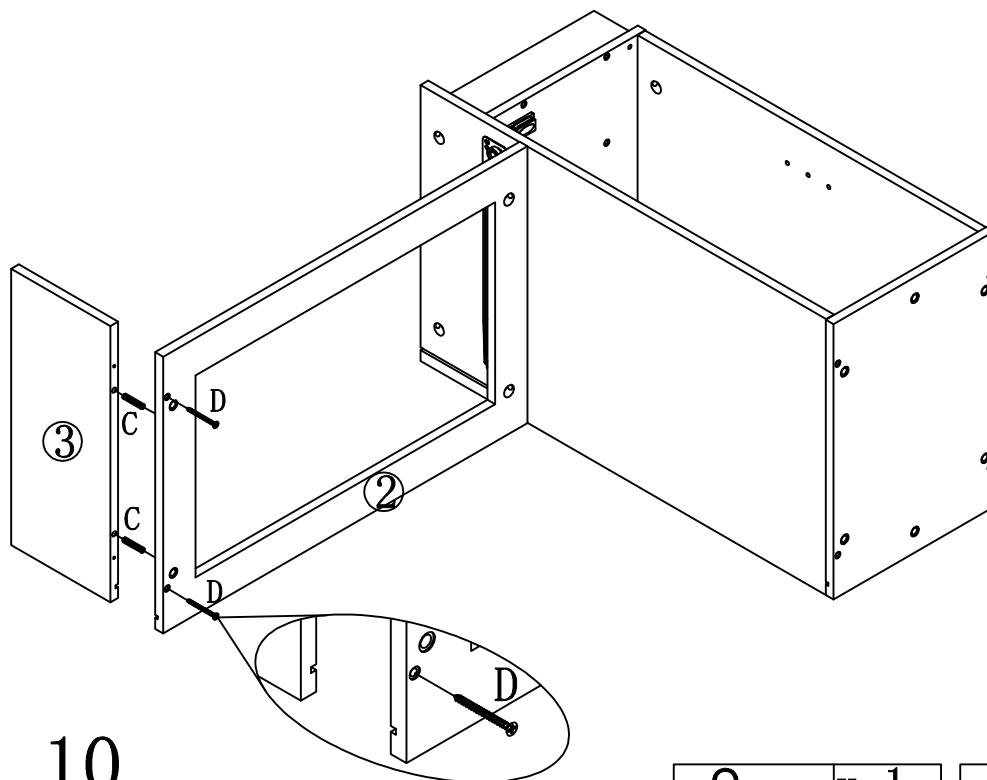
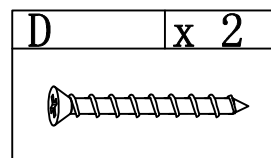
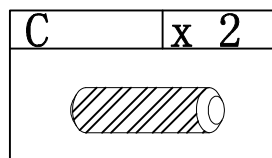
Step 7



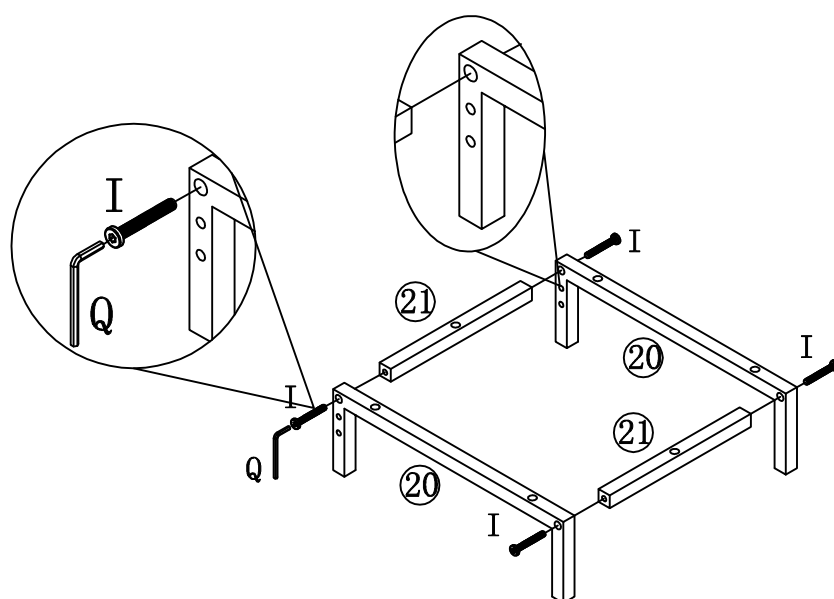
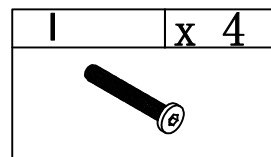
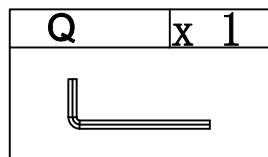
Step 8



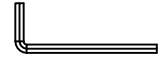

Step 9

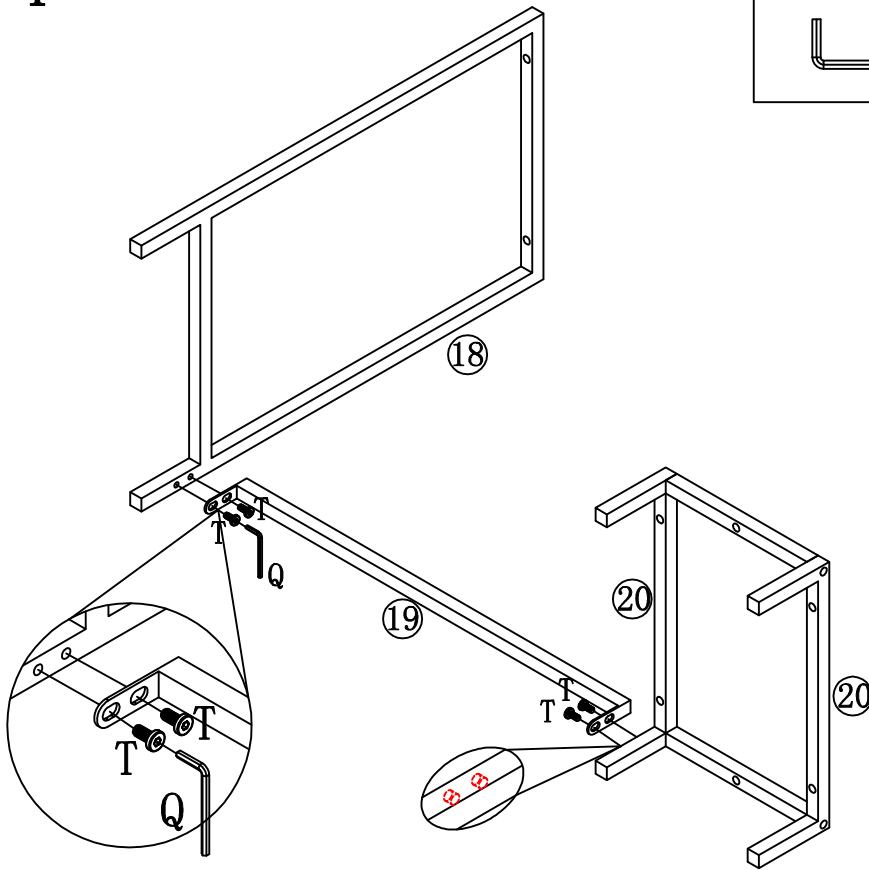


Step 10





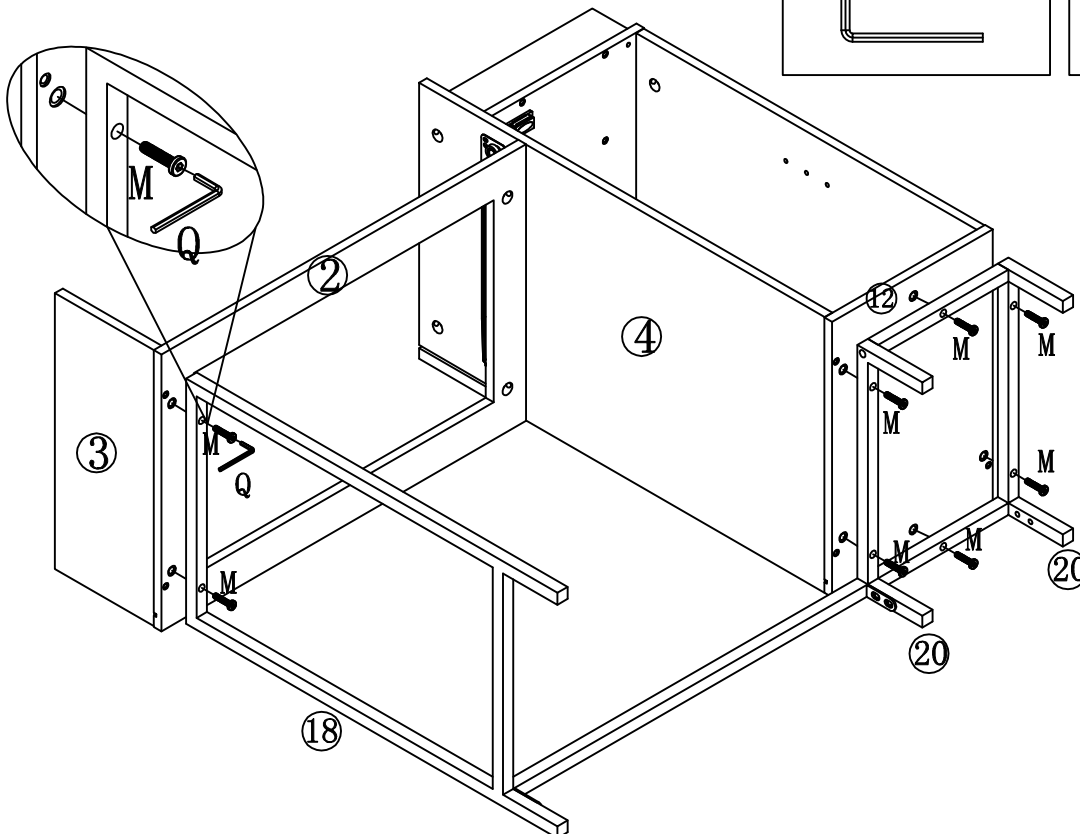
Step 11

| | | | |
|--|-----|---|-----|
| Q | x 1 | T | x 4 |
|  | |  | |

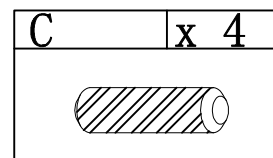
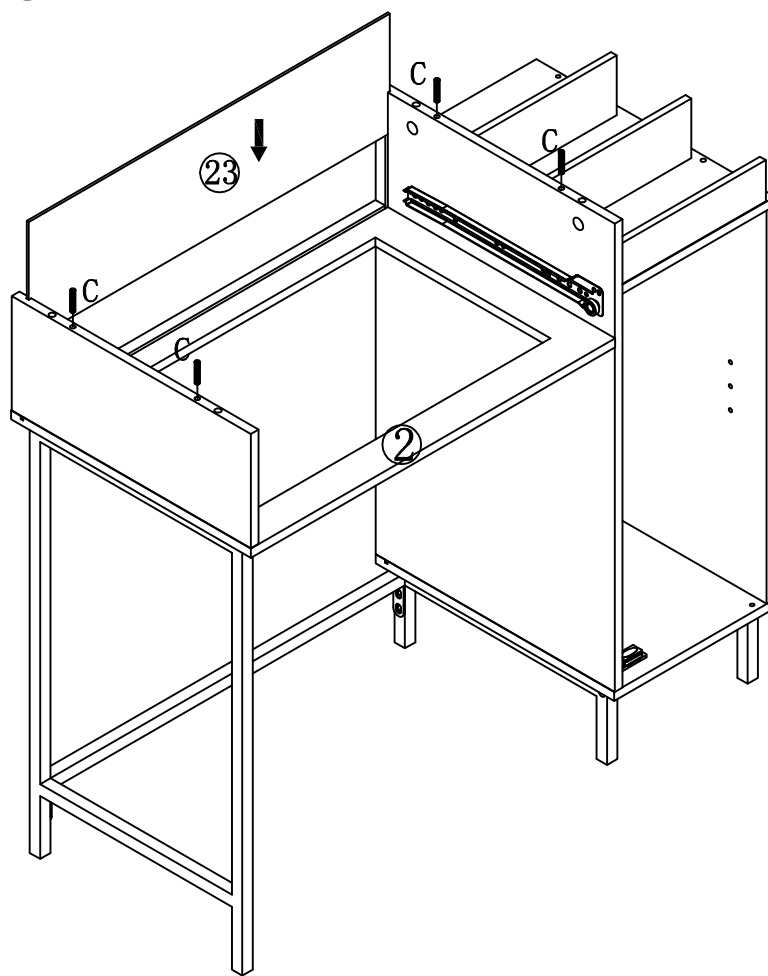


Step 12

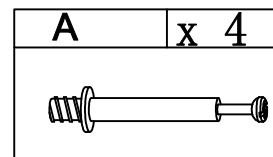
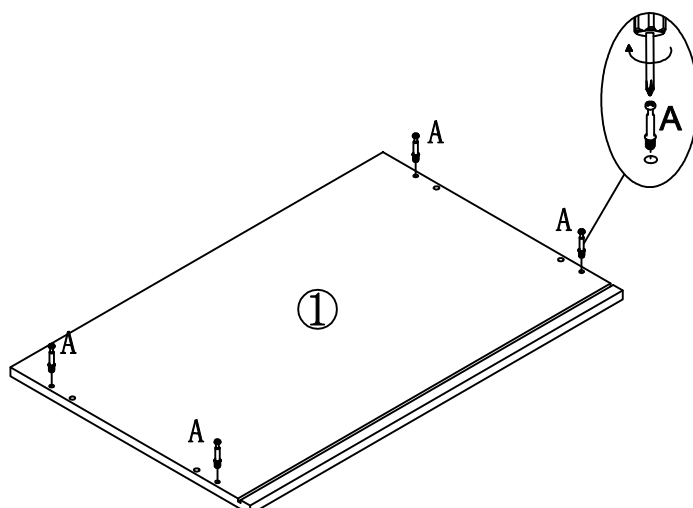
| | | | |
|--|-----|---|-----|
| Q | x 1 | M | x 8 |
|  | |  | |



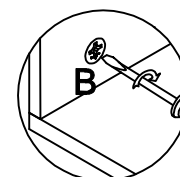
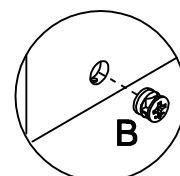
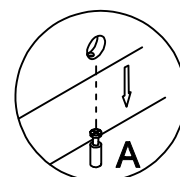
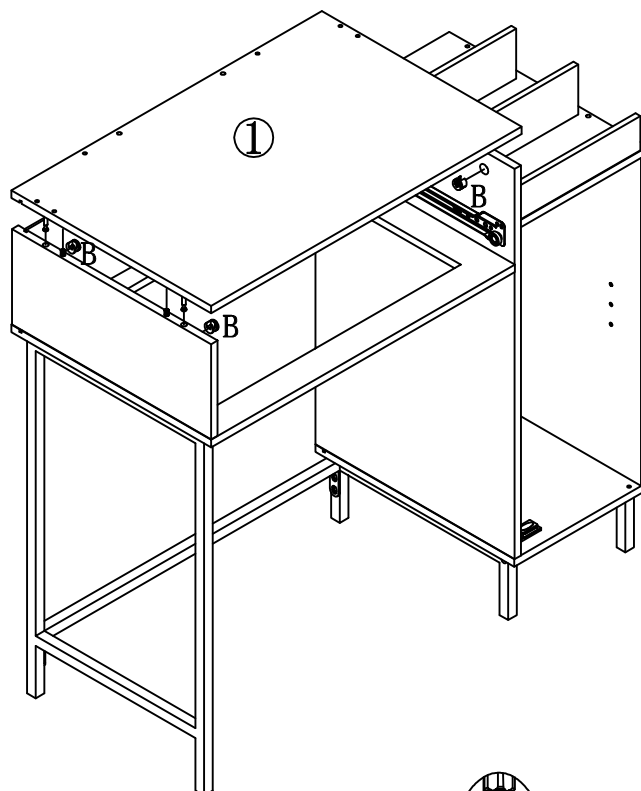
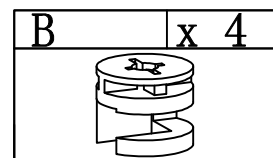
Step 13



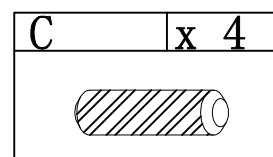
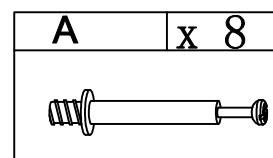
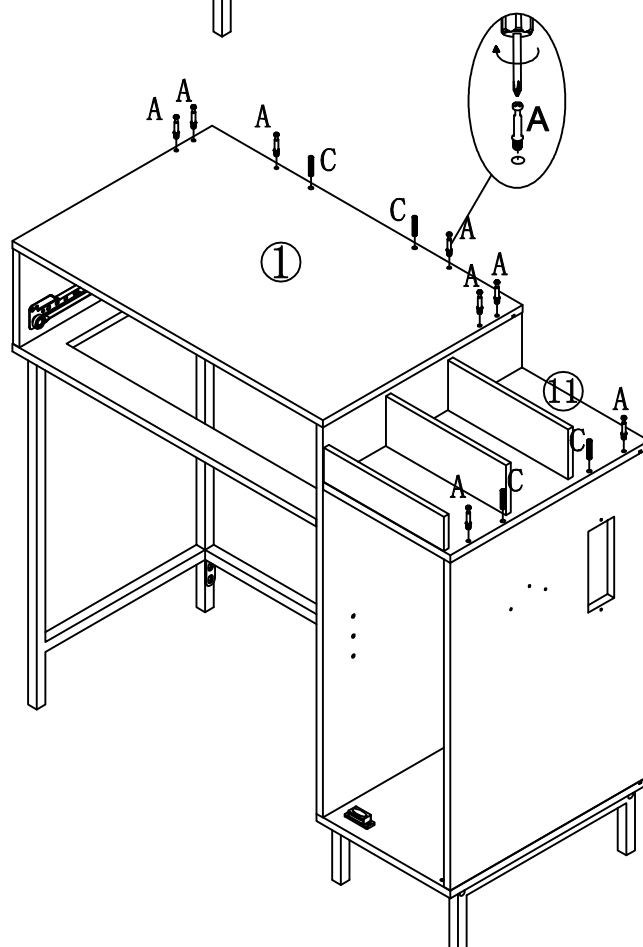
Step 14



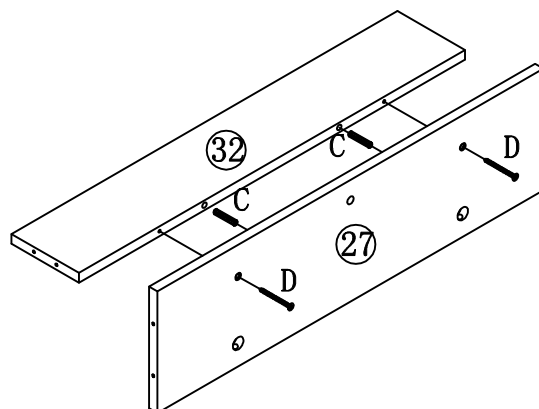
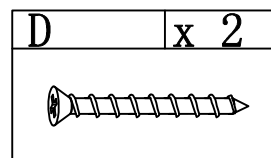
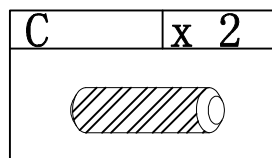
Step 15



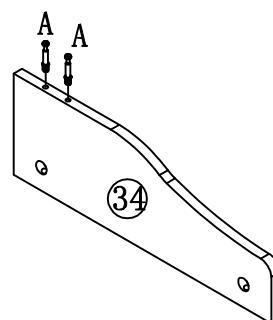
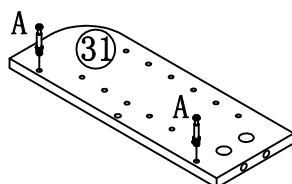
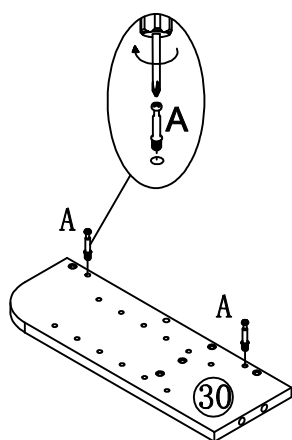
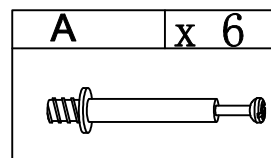
Step 16



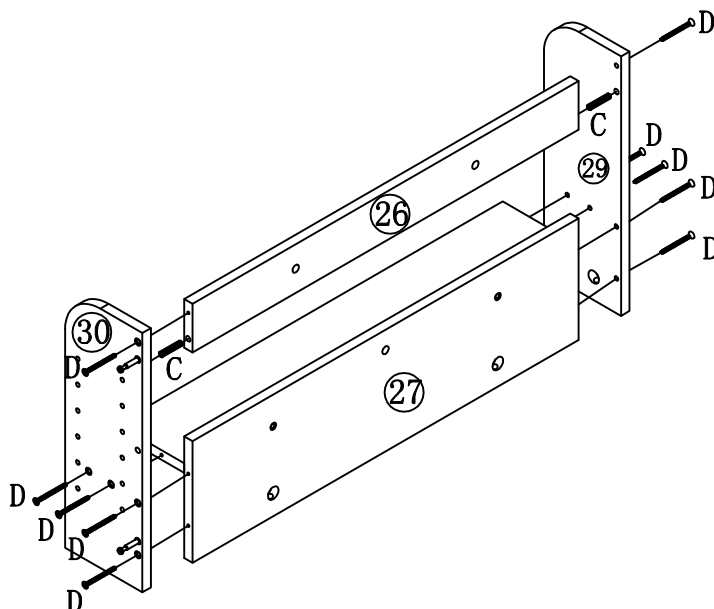
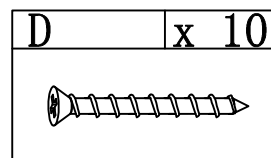
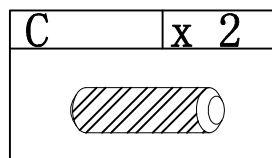
Step 17



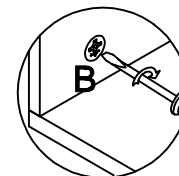
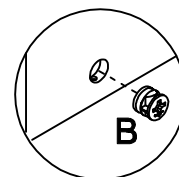
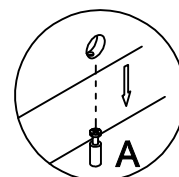
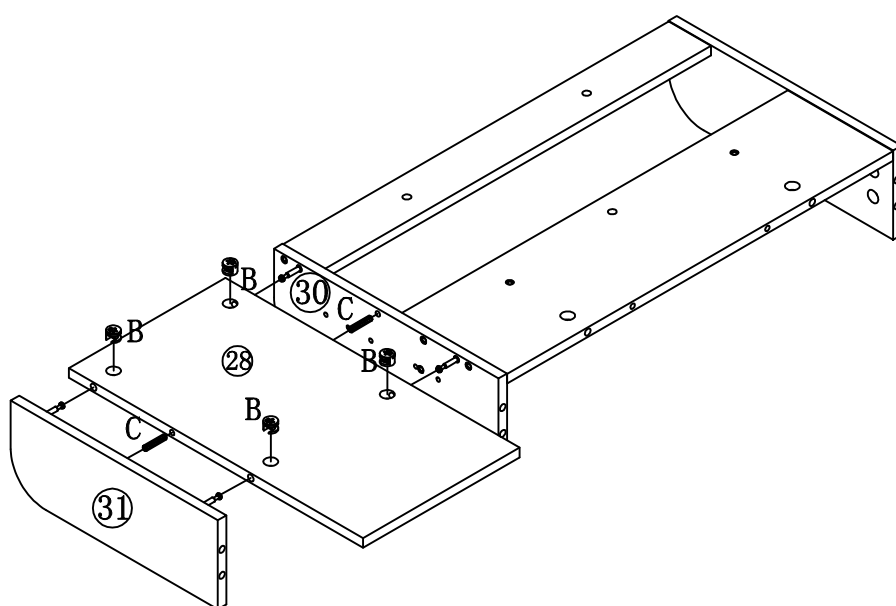
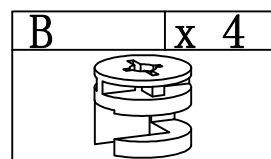
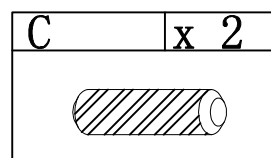
Step 18



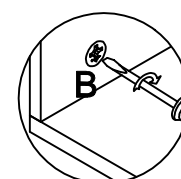
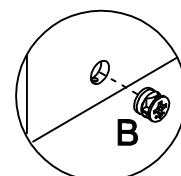
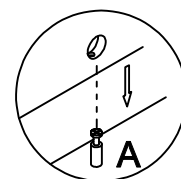
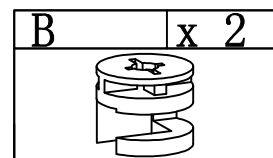
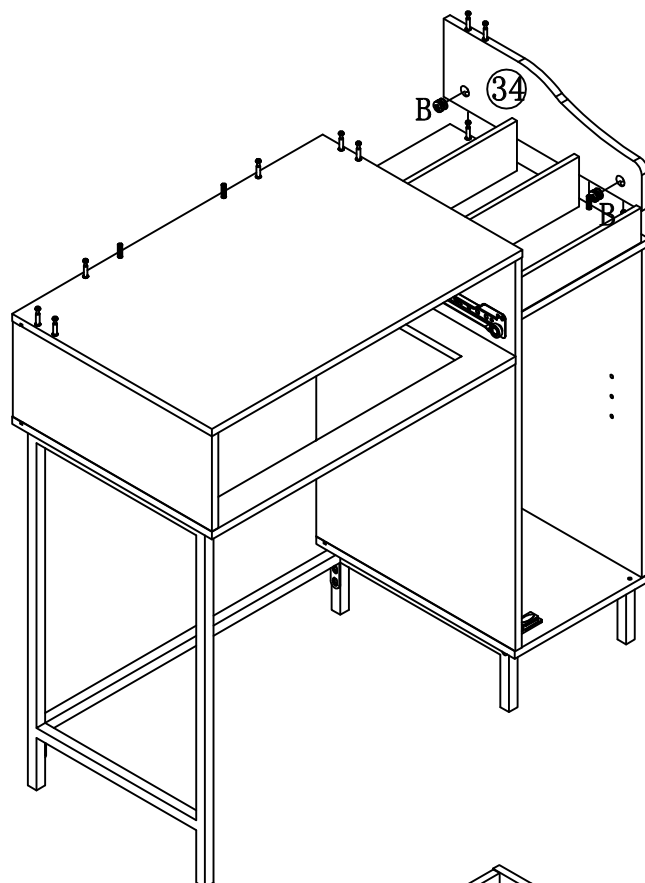
Step 19



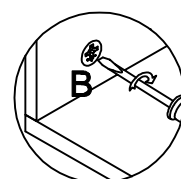
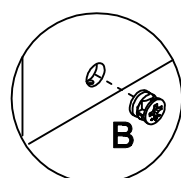
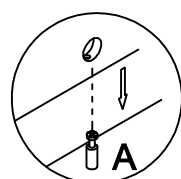
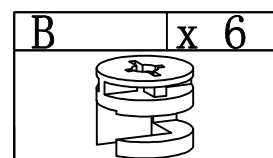
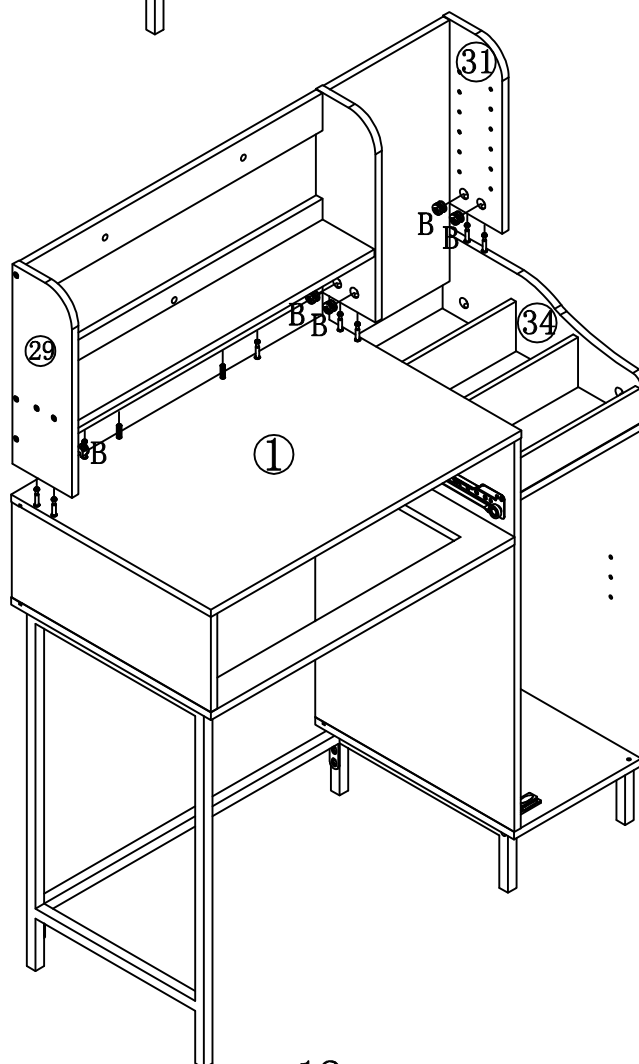
Step 20



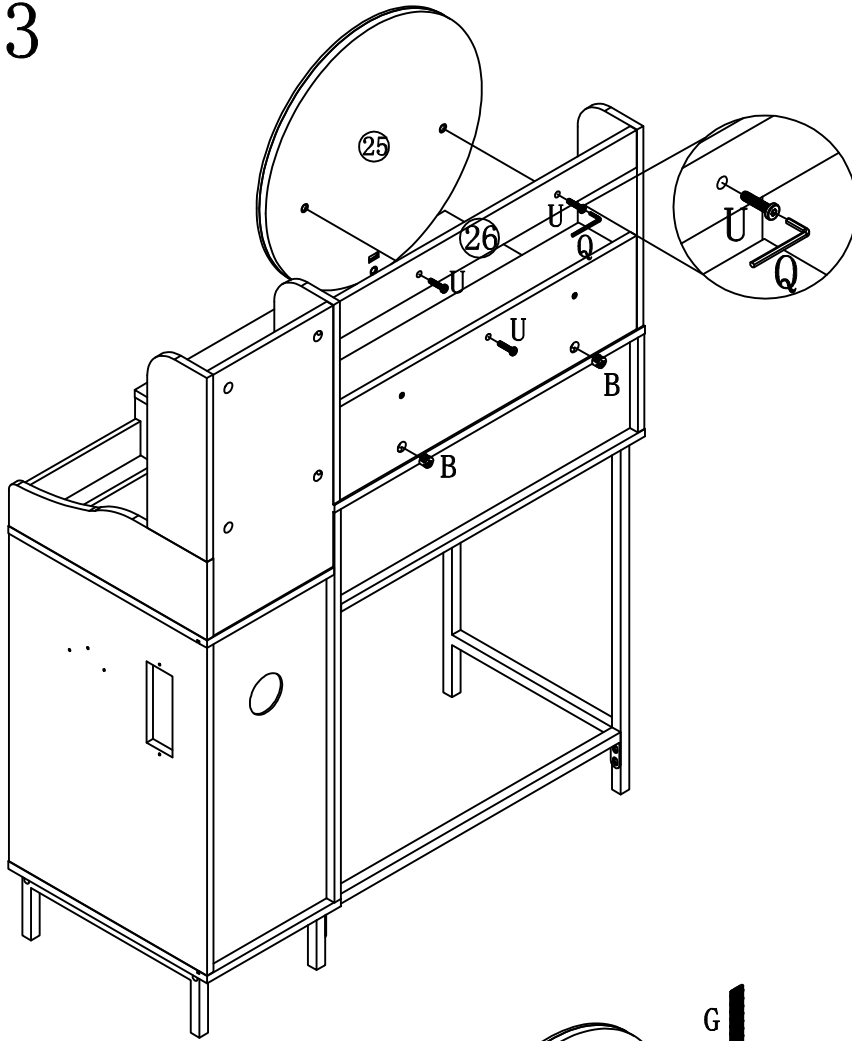
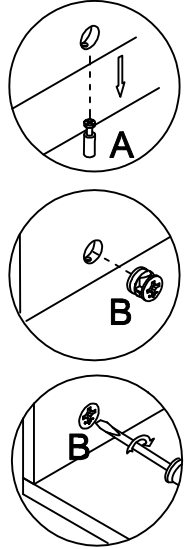
Step 21



Step 22

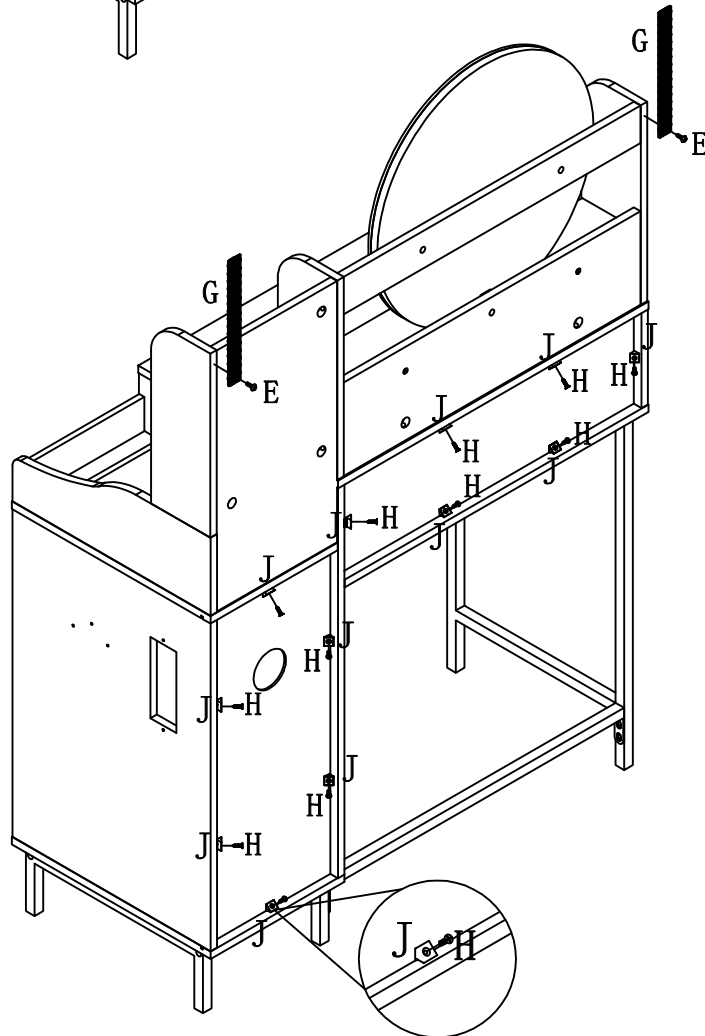


Step 23



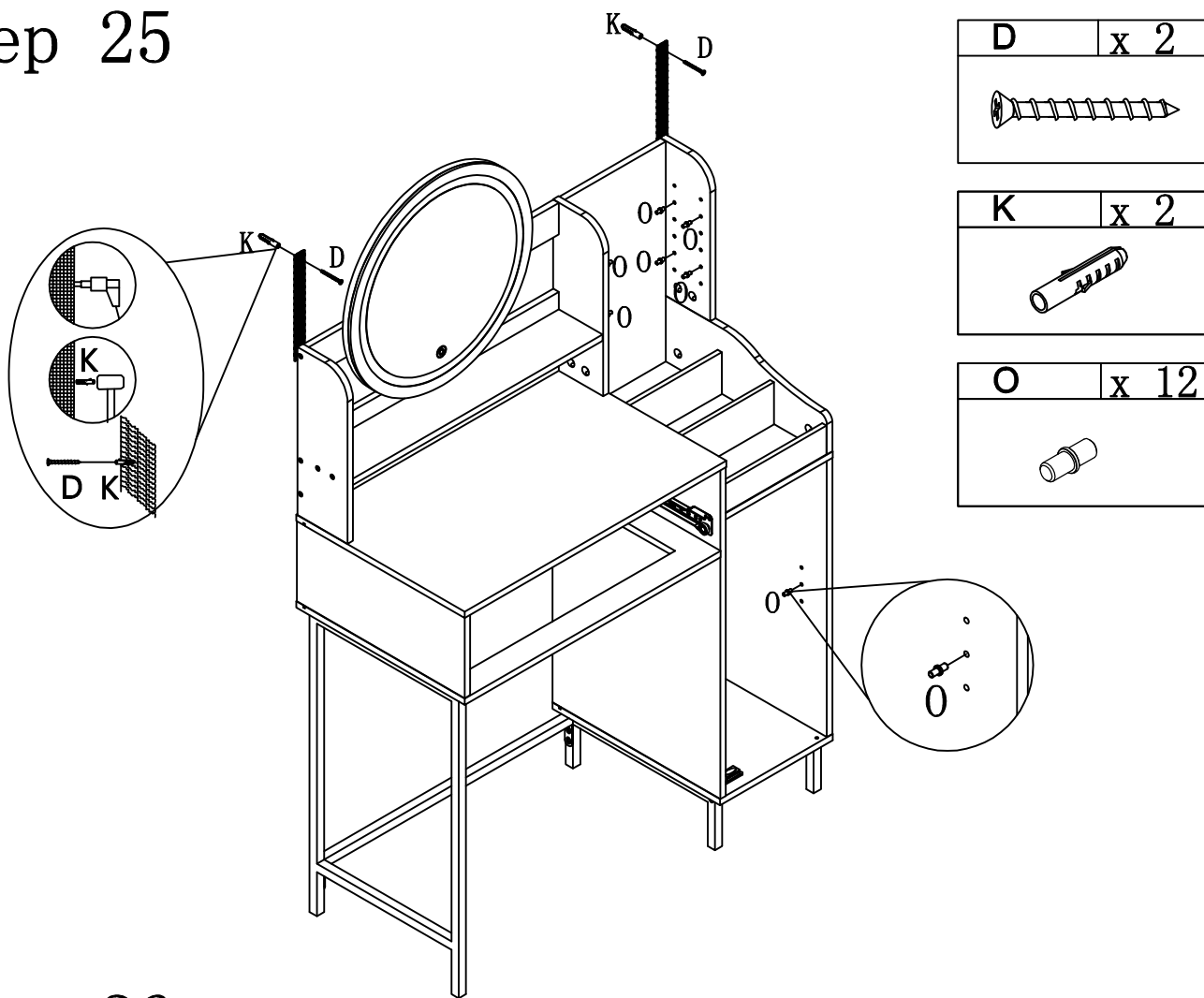
| | |
|---|-----|
| B | x 2 |
| | |
| Q | x 1 |
| | |
| U | x 3 |
| | |

Step 24

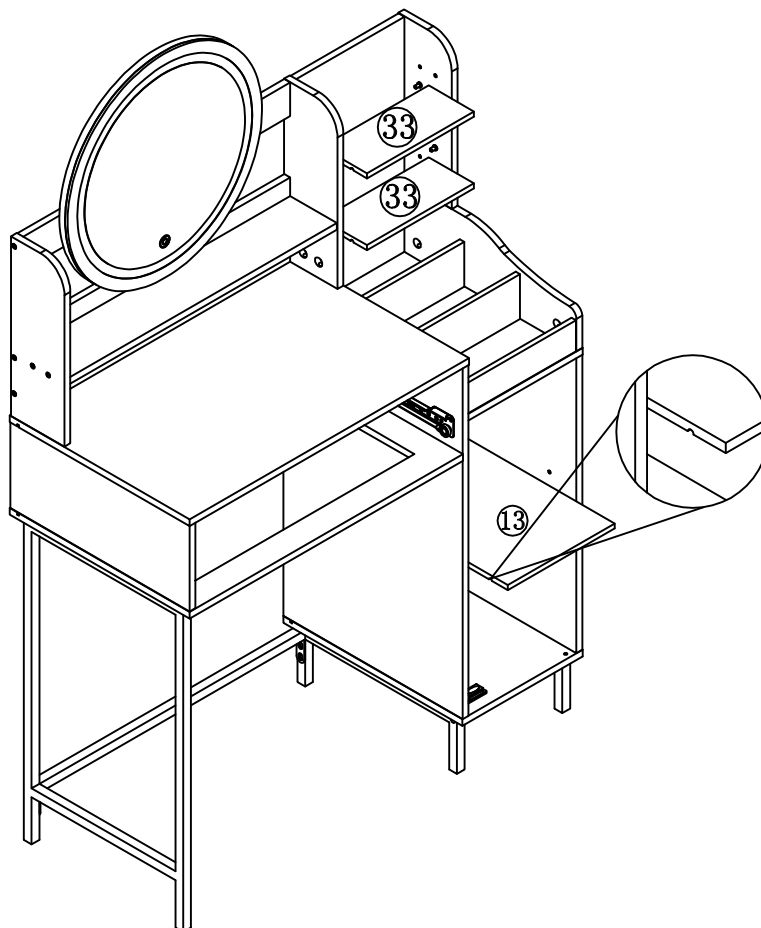


| | |
|---|------|
| E | x 2 |
| | |
| G | x 2 |
| | |
| H | x 12 |
| | |
| J | x 12 |
| | |

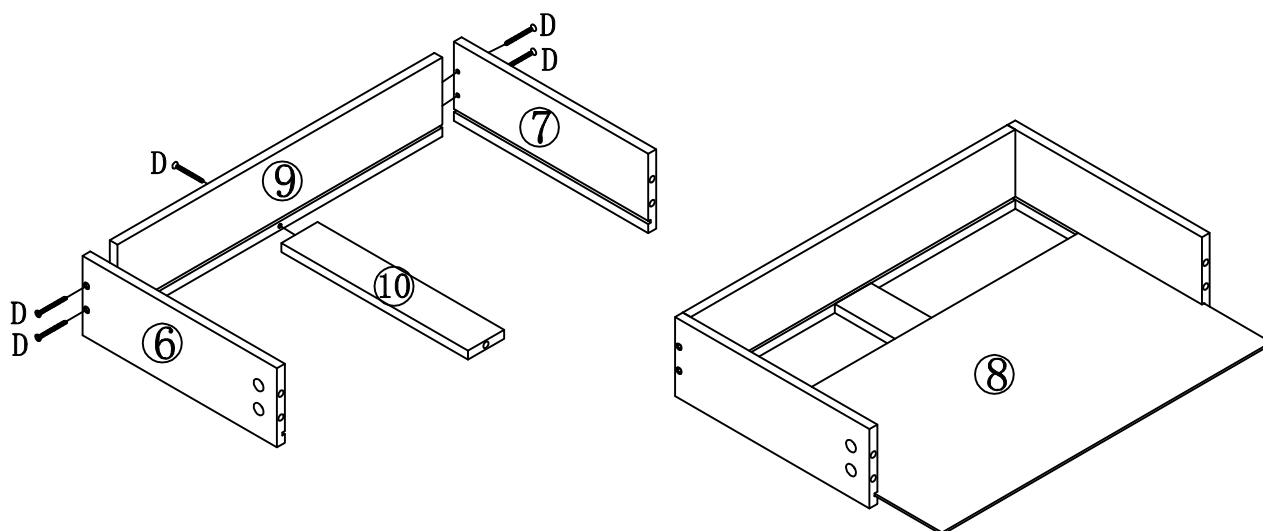
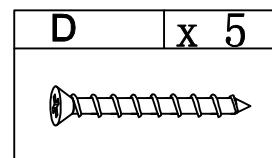
Step 25



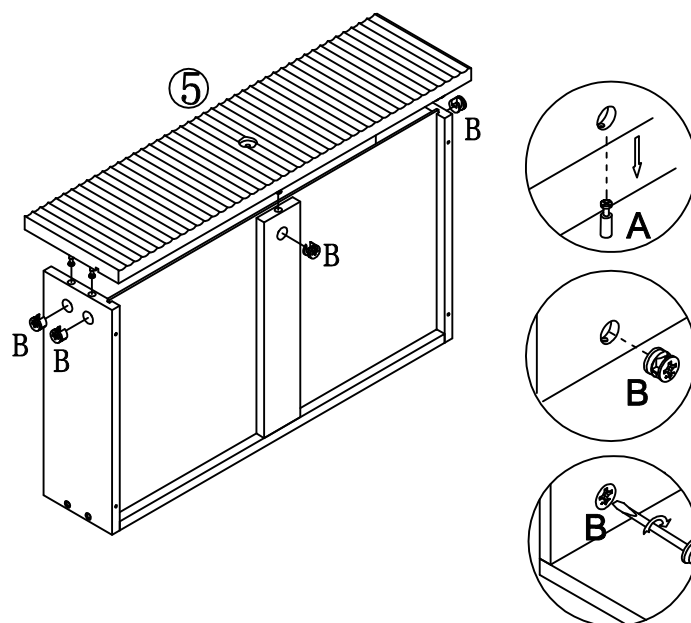
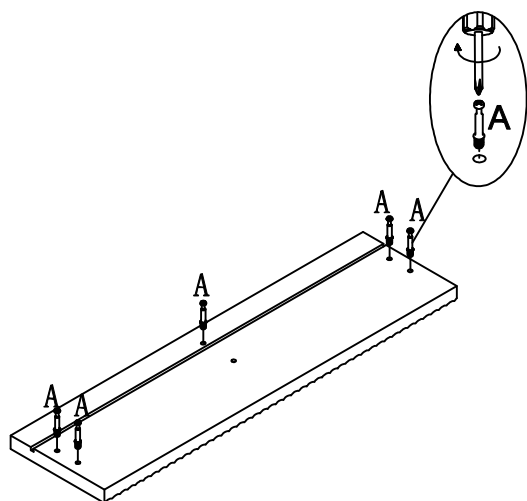
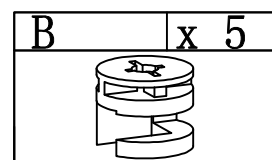
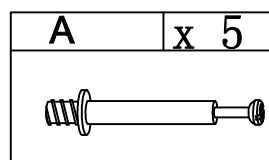
Step 26



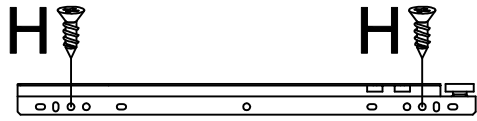
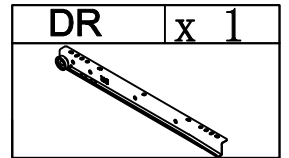
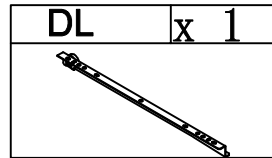
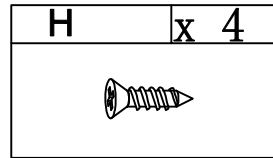
Step 27



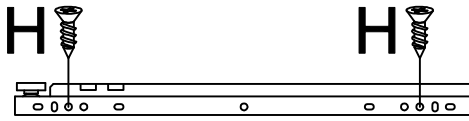
Step 28



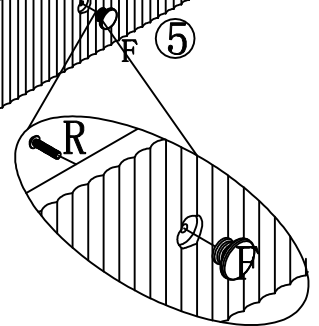
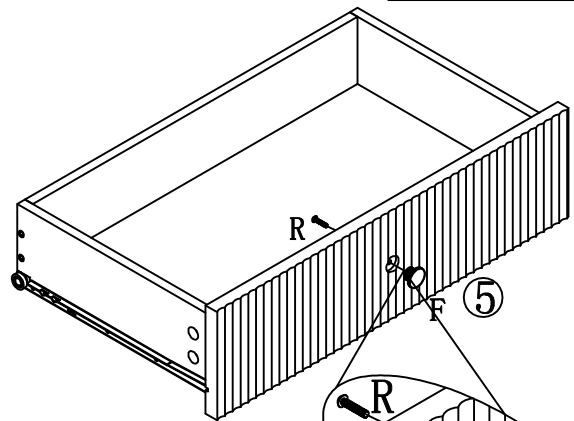
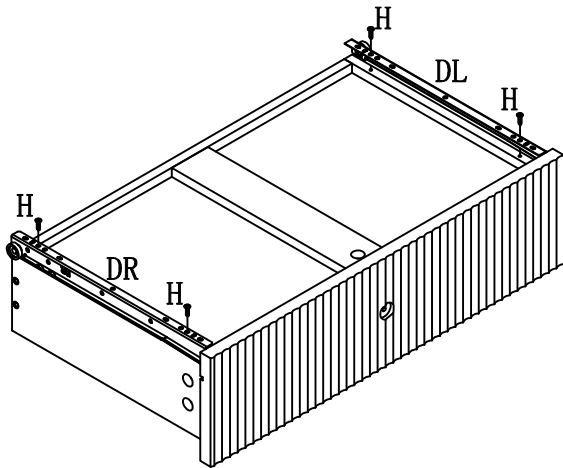
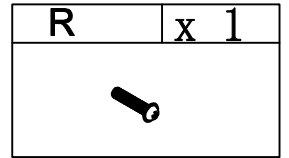
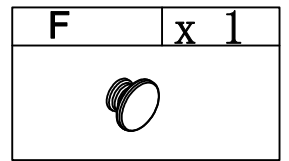
Step 29



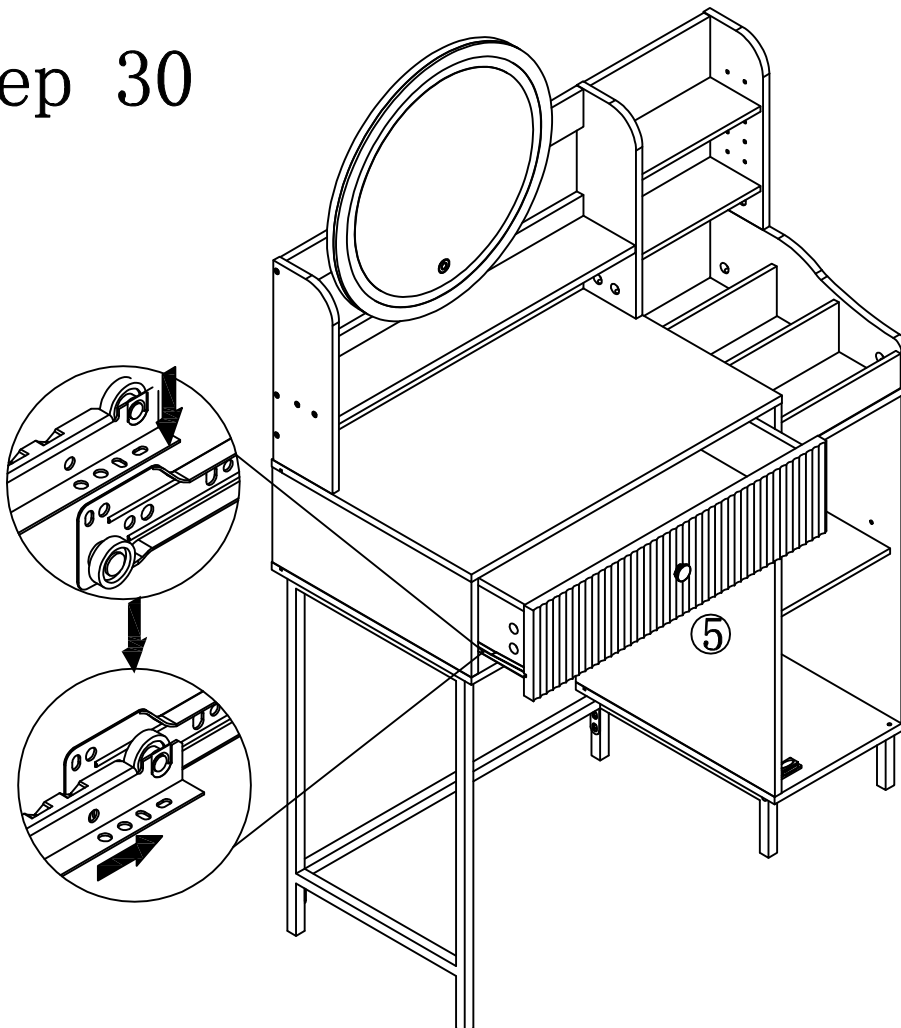
DL



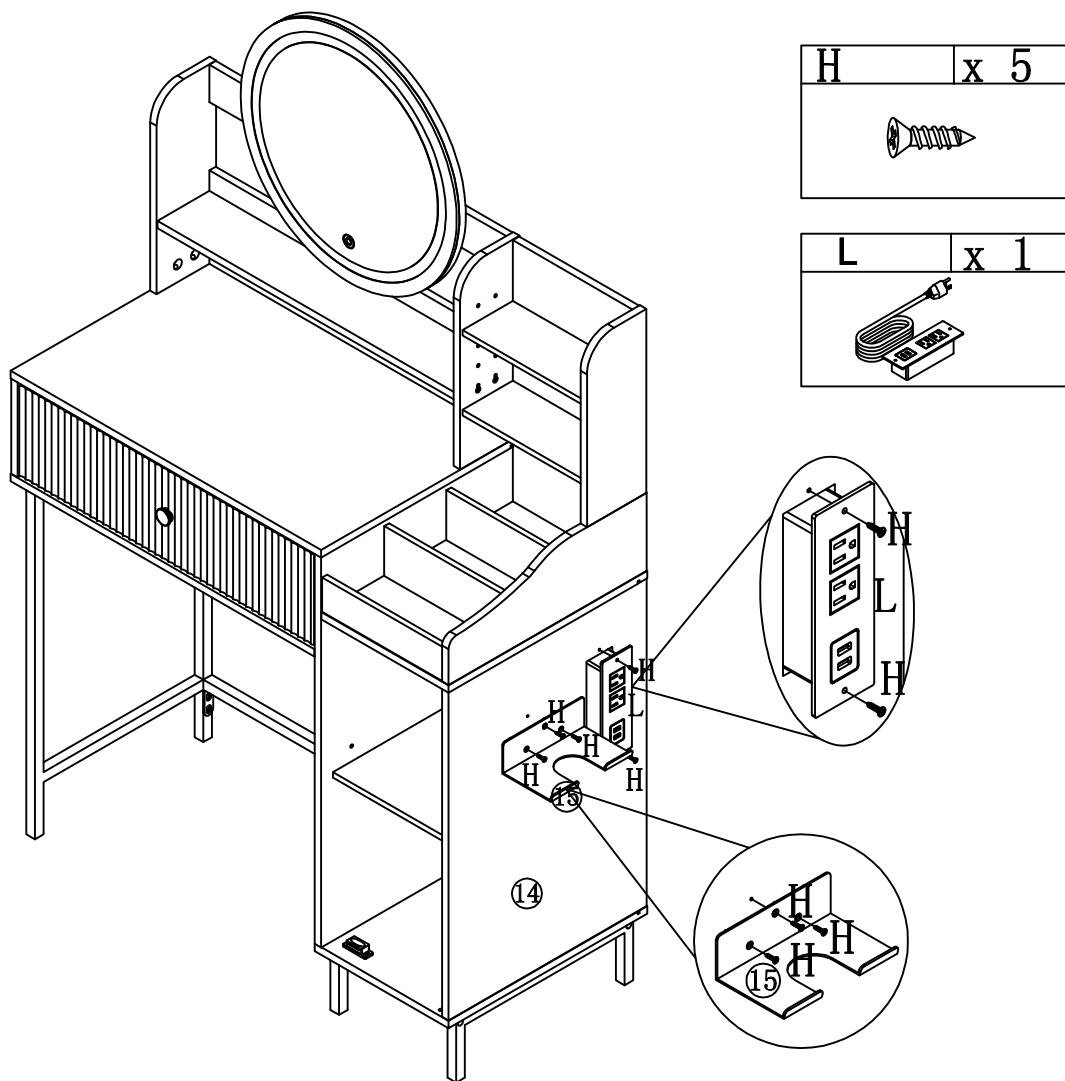
DR




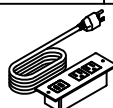
Step 30



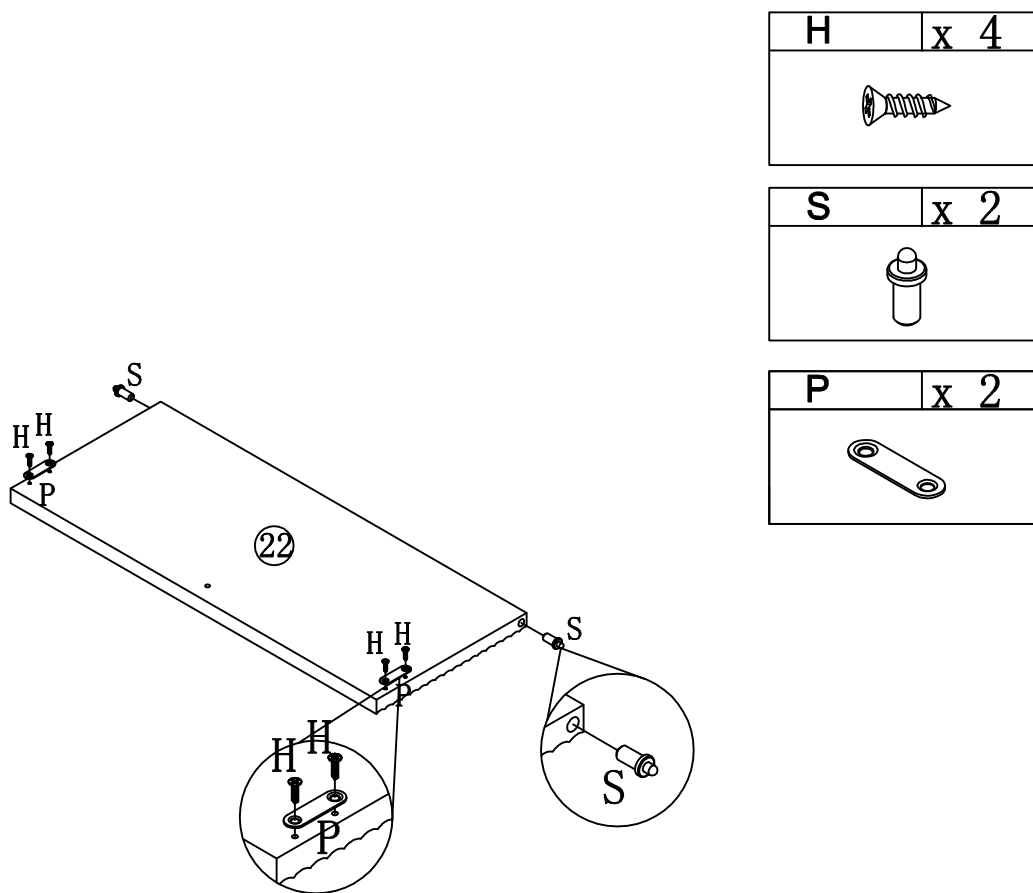
Step 31





| | |
|---|-----|
| H | x 5 |
|  | |


| | |
|---|-----|
| L | x 1 |
|  | |

Step 32





| | |
|---|-----|
| H | x 4 |
|  | |

| | |
|---|-----|
| S | x 2 |
|  | |

| | |
|---|-----|
| P | x 2 |
|  | |

Step 33

| | | | |
|---|-----|---|-----|
| F | x 1 | R | x 1 |
|  | |  | |

