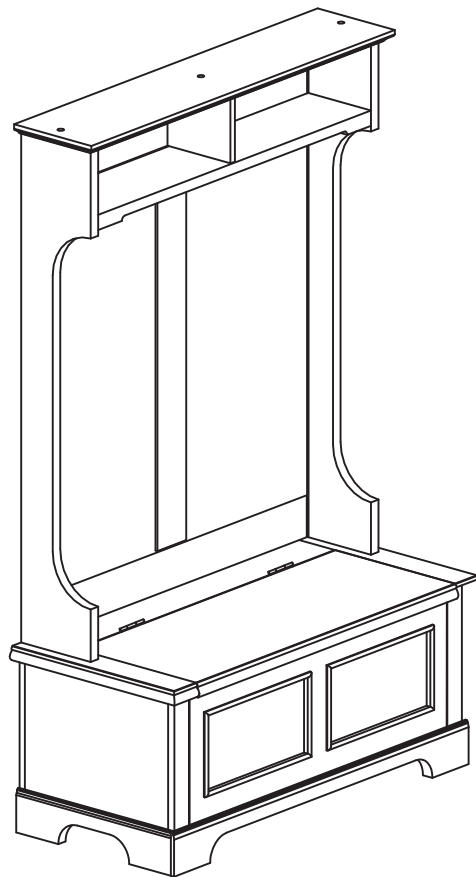



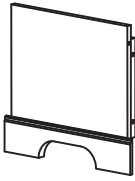
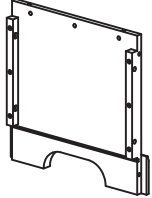
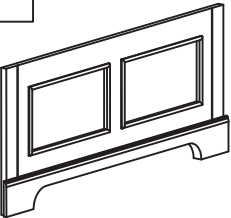
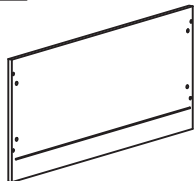

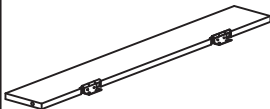

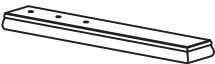
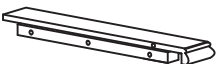
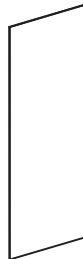

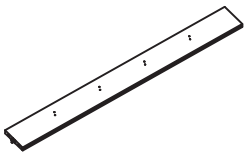
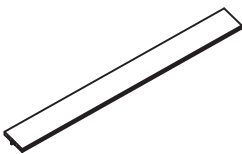
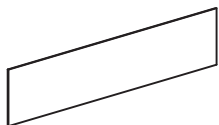
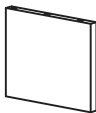
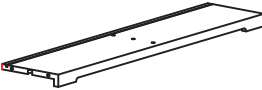


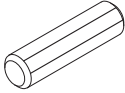
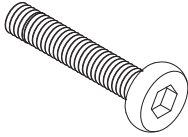
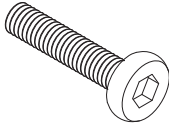
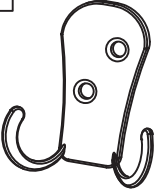
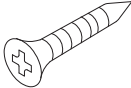
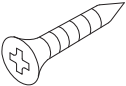
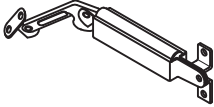
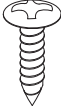
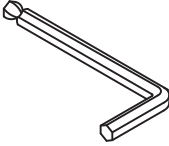

# Hall Tree



# PART LIST

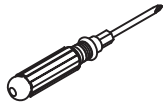
<p><b>A</b></p> 	<p><b>B</b></p> 	<p><b>C</b></p> 	<p><b>D</b></p> 	<p><b>E</b></p> 
<p>Top Panel 1 PC</p>	<p>Left Side Brace 1 PC</p>	<p>Right Side Brace 1 PC</p>	<p>Left Side Panel 1 PC</p>	<p>Right Side Panel 1 PC</p>
<p><b>F</b></p> 	<p><b>G</b></p> 	<p><b>H</b></p> 	<p><b>I</b></p> 	<p><b>J</b></p> 
<p>Front Panel 1 PC</p>	<p>Lower Back Panel 1 PC</p>	<p>Bottom Panel 1 PC</p>	<p>Seat Fixed Panel 1 PC</p>	<p>Seat Adjustable Panel 1 PC</p>
<p><b>K</b></p> 	<p><b>L</b></p> 	<p><b>M</b></p> 	<p><b>N</b></p> 	<p><b>O</b></p> 
<p>Left Seat Panel 1 PC</p>	<p>Right Seat Panel 1 PC</p>	<p>Middle Back Panel 2 PCS</p>	<p>Back Middle Partition Panel 1 PC</p>	<p>Back Upper Partition Panel 1 PC</p>
<p><b>P</b></p> 	<p><b>Q</b></p> 	<p><b>R</b></p> 	<p><b>S</b></p> 	
<p>Back Lower Partition Panel 1 PC</p>	<p>Upper Back Panel 1 PC</p>	<p>Upper Partition Panel 1 PC</p>	<p>Upper Fixed Panel 1 PC</p>	

# HARDWARE LIST

 #1	 #2 1-3/4"×Ø1/4"×D11mm	 #3 1"×Ø1/4"×D11mm	 #4	 #5 14mm×Ø3×D6
Wood Dowel 47 PCS(Extra 1)	Long Hex Socket Head Bolt 15 PCS(Extra 1)	Short Hex Socket Head Bolt 9 PCS(Extra 1)	Hook 4 PCS	Long Screw 9 PCS(Extra 1)
 #6 12mm×Ø3×D6	 #7	 #8 14mm×Ø3×D6	 #9	 #10
Short Screw 9 PCS(Extra 1)	Spring Hinge 1 PC	Round Head Screw 5 PCS(Extra 1)	Allen Wrench 1 PC	Safety Strap Kit 1 PC

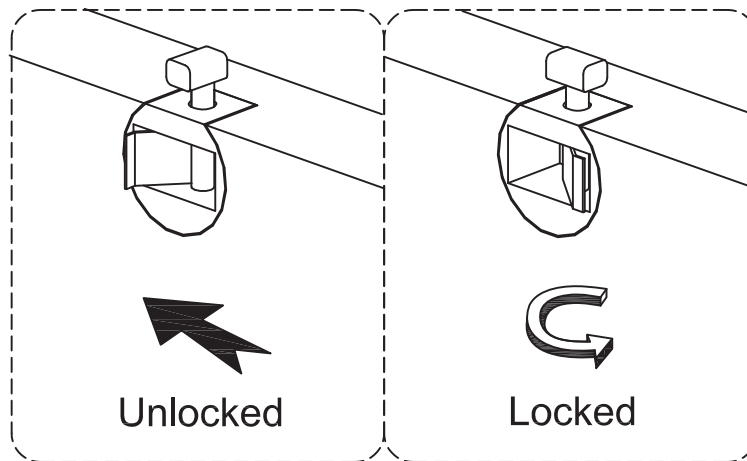
## ADDITIONAL TOOLS (Not Provided)

Note: It is not recommended to use power tools during assembly.



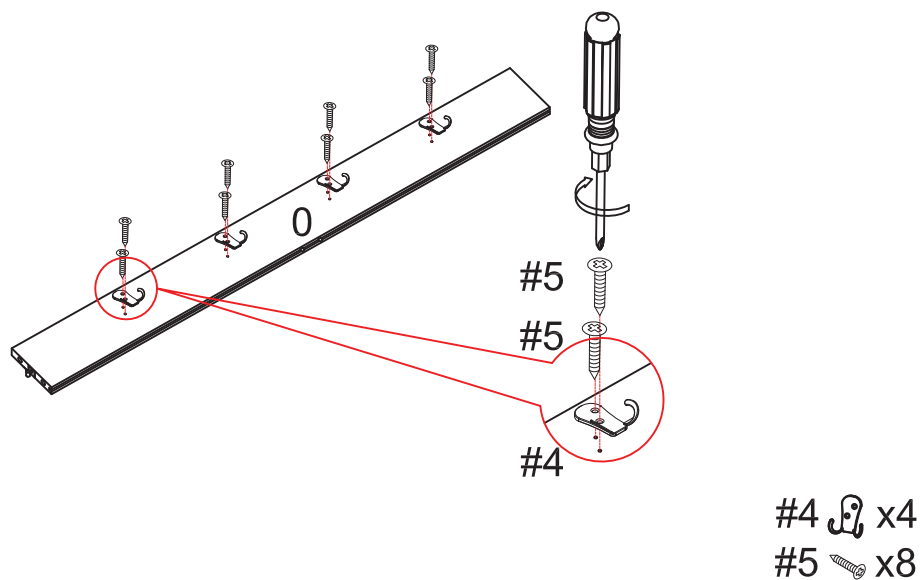
Phillips Head Screwdriver

Please do not use tools to assemble this unit unless specifically indicated.

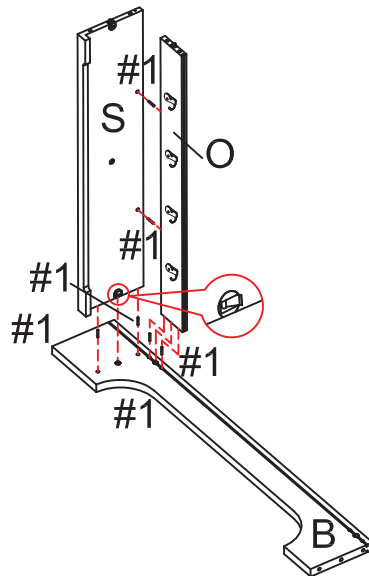


Reference the images above any time the instructions state "lock the hardware".  
Note: Be sure to check all hardware is locked when completed.

Step 1. Attach hooks (part #4) to back upper partition panel (part O) using long screws (part #5) and Phillips head screwdriver.

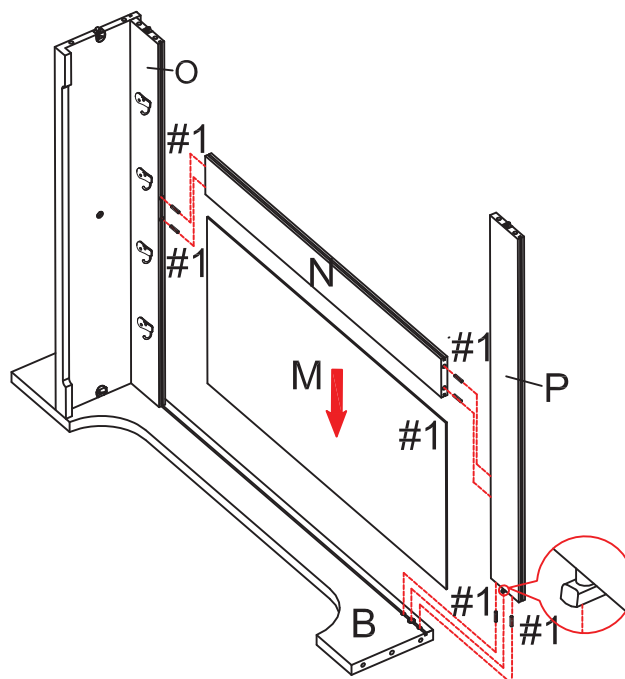


Step 2. Attach back upper partition panel (part O) to upper fixed panel (part S) using wood dowels (part #1). Attach back upper partition panel (part O) and upper fixed panel (part S) to left side brace (part B) using wood dowels (part #1), and lock the hardware.



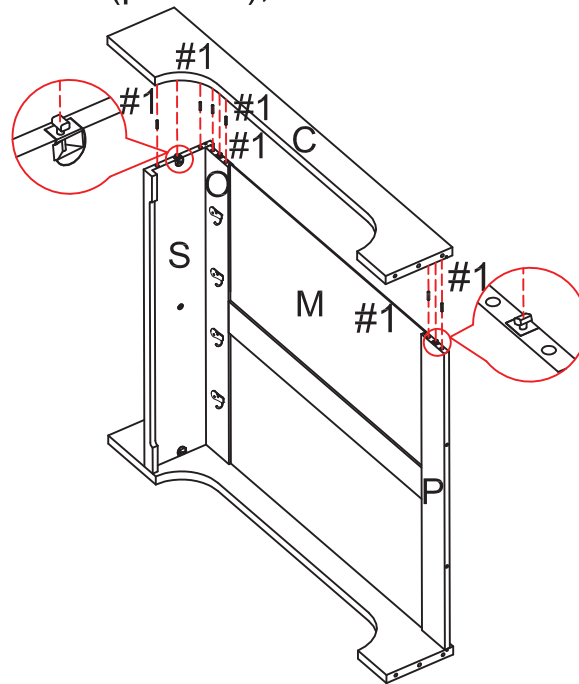
#1  x6

Step 3 . Slide middle back panel (part M) into grooves of left side brace (part B), back upper partition panel (part O) as shown. Attach back middle partition (part N) to back upper partition panel (part O) and back lower partition panel (part P) using wood dowels (part #1). Attach back lower partition panel (part P) to left side brace (part B) using wood dowels (part #1) and lock the hardware.

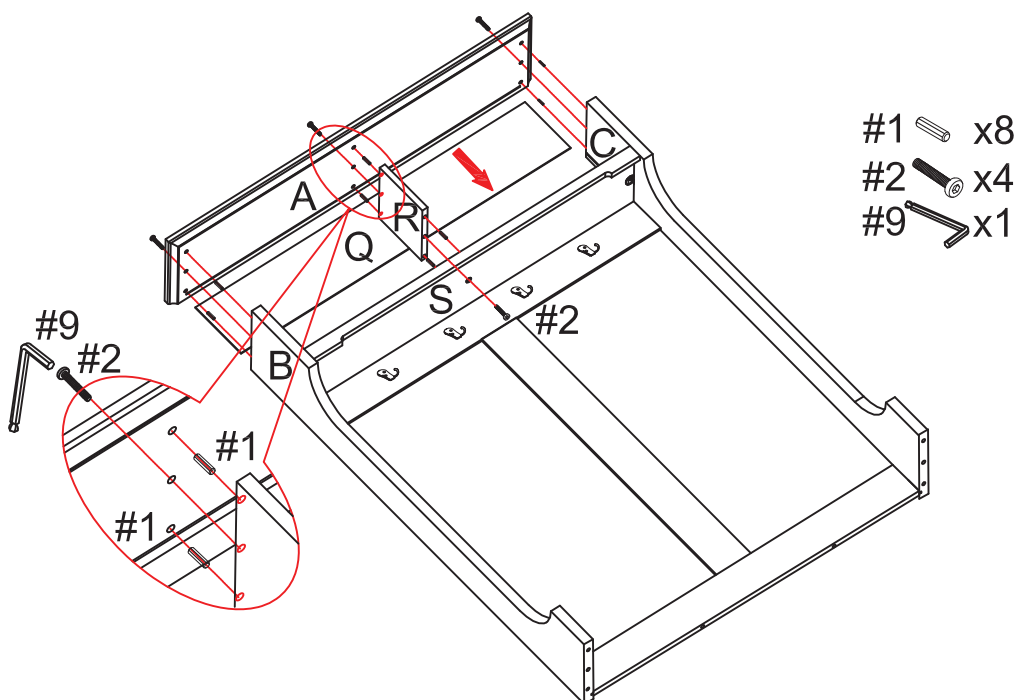


#1  x6

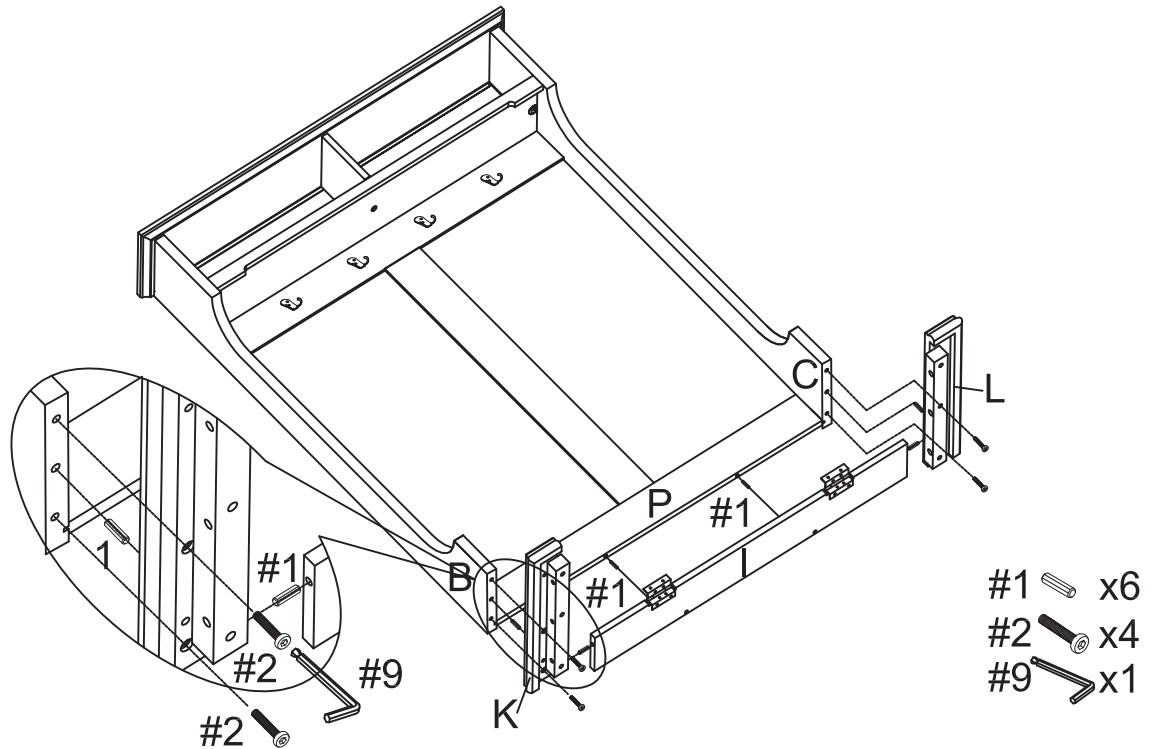
Step 4. Attach right side brace (part C) to upper fixed panel (part S), back upper partition panel (part O) and back lower partition panel (part P) using wood dowels (part #1), and lock the hardware.



Step 5. Carefully lay assembled unit onto a soft surface, such as a carpet, as shown. Attach upper partition panel (part R) to upper fixed panel (part S) using wood dowels (part #1). Slide upper back panel (part Q) into grooves of left side brace (part B), right side brace (part C) and upper fixed panel (part S). Attach top panel (part A) to left side brace (part B), upper partition panel (part R) and right side brace (part C) using wood dowels (part #1), long hex socket head bolts (part #2) and allen wrench (part #9).

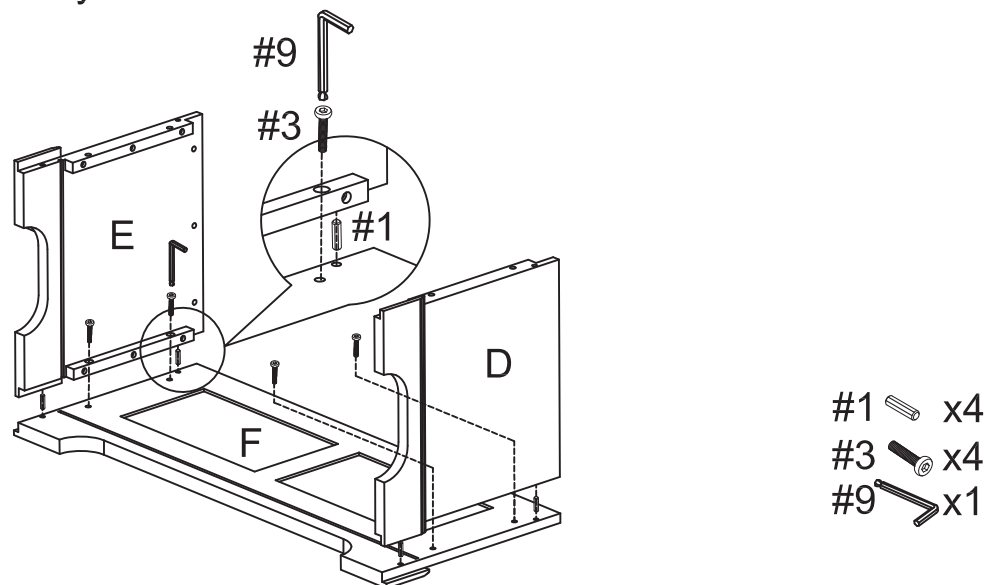


Step 6. Attach left and right seat panels (parts K & L) to seat fixed panel (part I) using wood dowels (part #1). Attach assembled seat assembly to left side brace (part B), right side brace (part C) and back lower partition panel (part P) using wood dowels (part #1), long hex socket head bolts (part #2) and allen wrench (part #9).

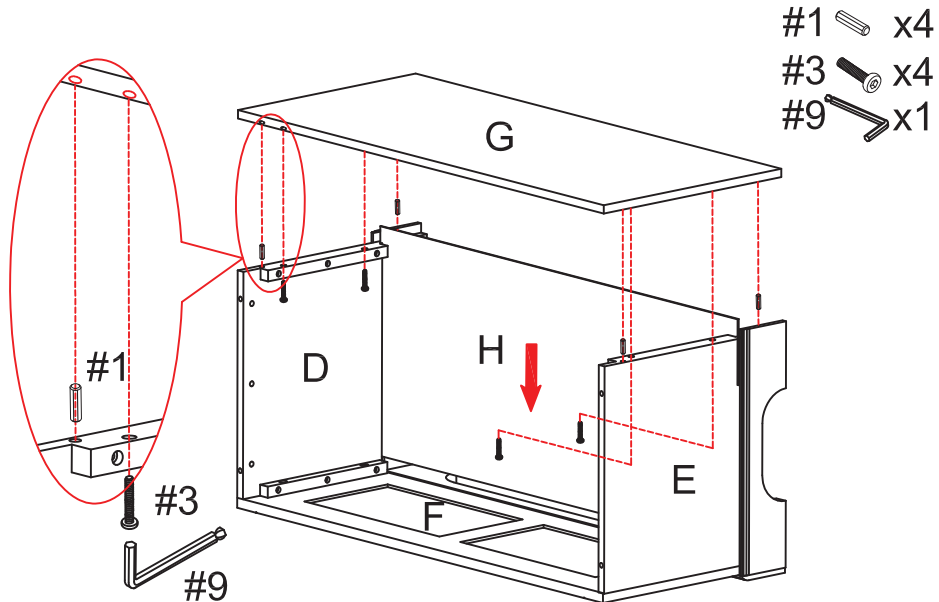


Step 7. Attach left and right side panels (parts D & E) to front panel (part F) using wood dowels (part #1), short hex socket head bolts (part #3) and allen wrench (part #9).

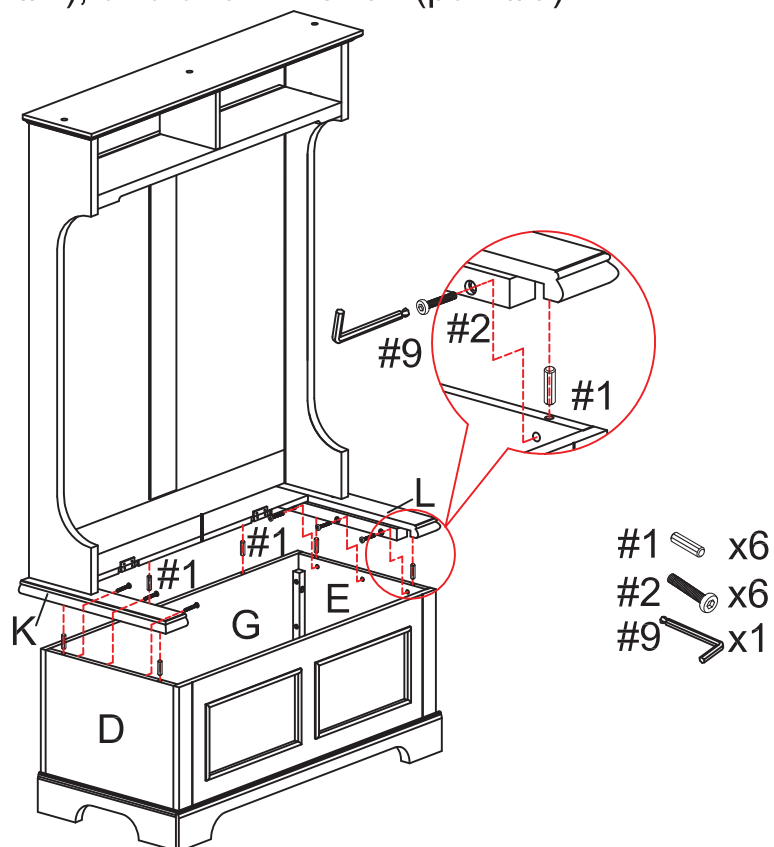
NOTE: Please ensure you are using short hex socket head bolts (part #3), all other bolts if used will damage the front panel (part F) during assembly.



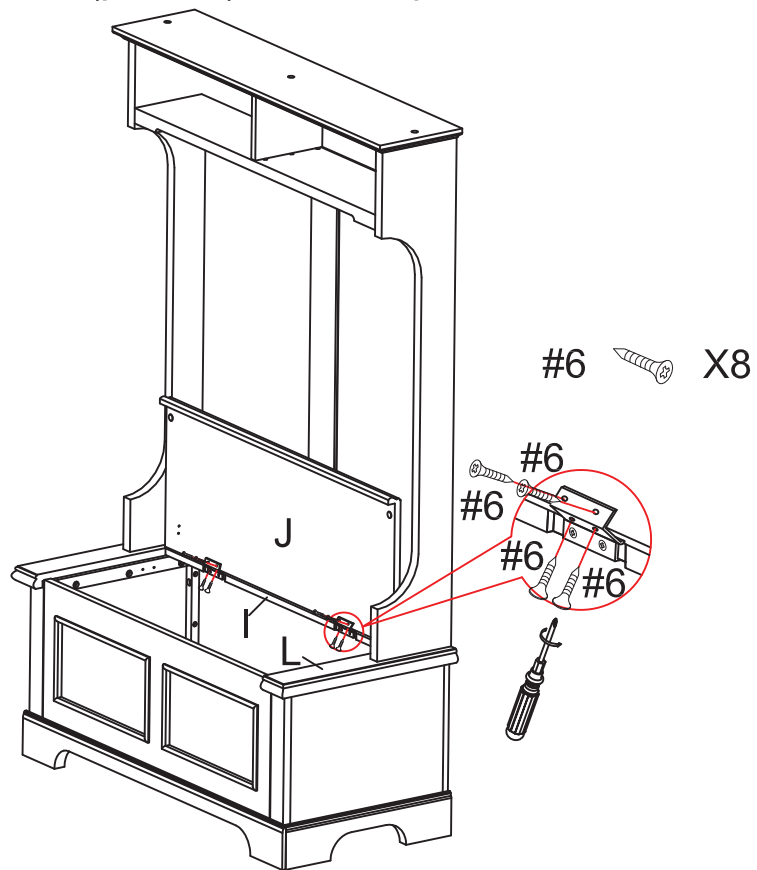
Step 8. Slide bottom panel (part H) into grooves of left side panel (part D), right side panel (part E) and front panel (part F). Attach lower back panel (part G) to left side panel (part D) and right side panel (part E) using wood dowels (part #1), short hex socket head bolts (part #3), and allen wrench (part #9).



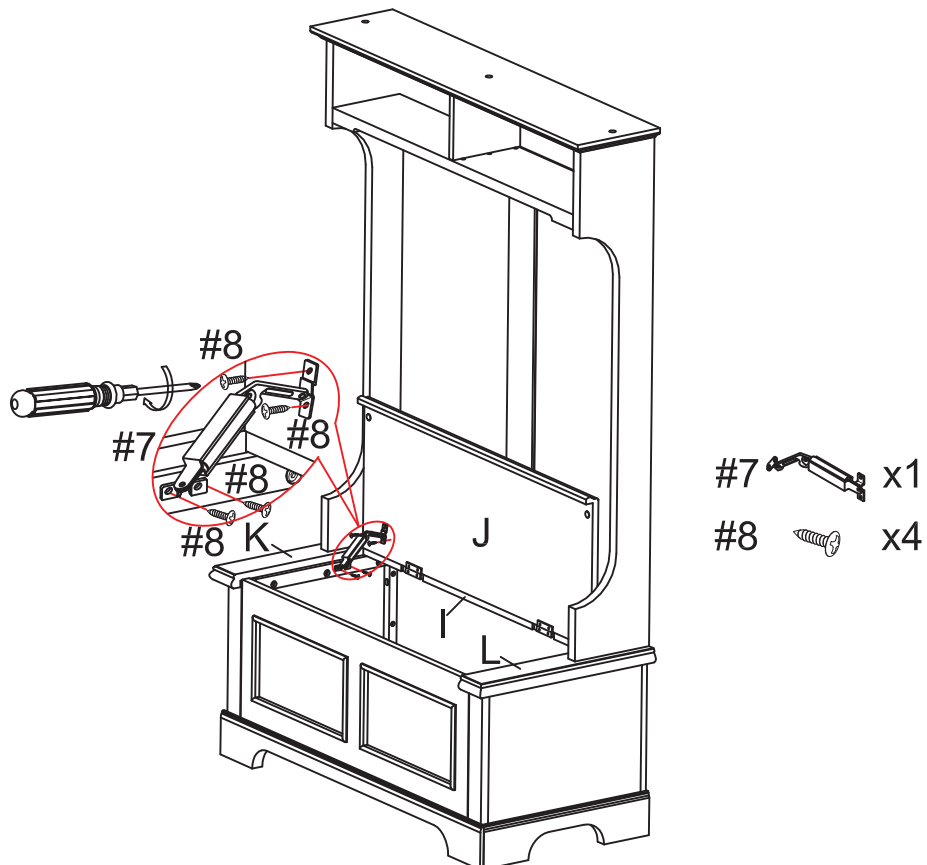
Step 9. Carefully orient assembled upper and lower units as shown. Attach left seat panel (part K), seat fixed panel (part I) and right seat panel (part L) to left side panel (part D), right side panel (part E) and lower back panel (part G) using wood dowels (part #1), long hex socket head bolts (part #2), and allen wrench (part #9).

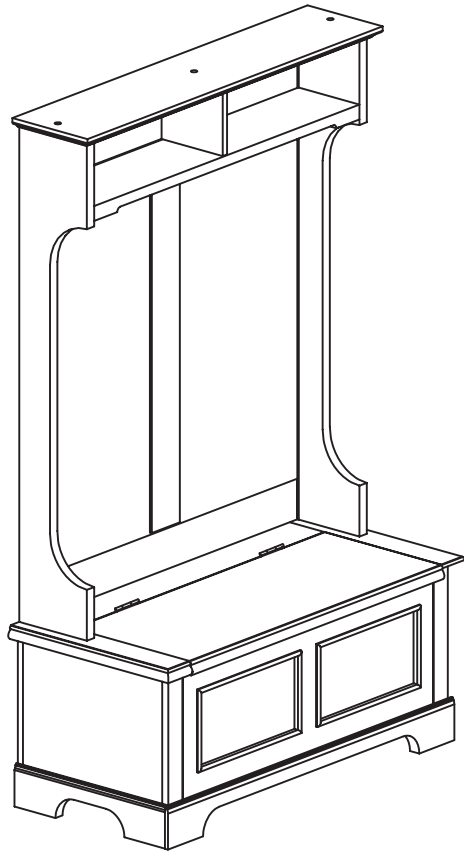



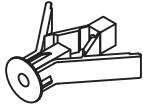



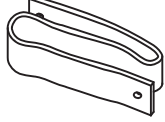
Step 10. Attach seat adjustable panel (part J) to seat fixed panel (part I) using short screws (part #6) and Phillips head screwdriver as shown.



Step 11. Attach spring hinge (part #7) to left seat panel (part K) using round head screws (part #8) and Phillips head screwdriver as shown.

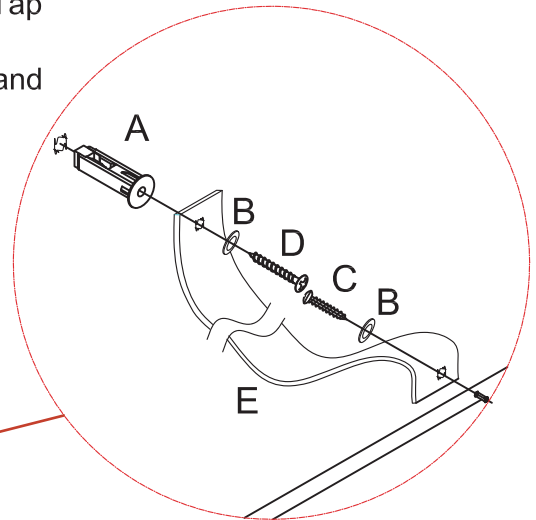




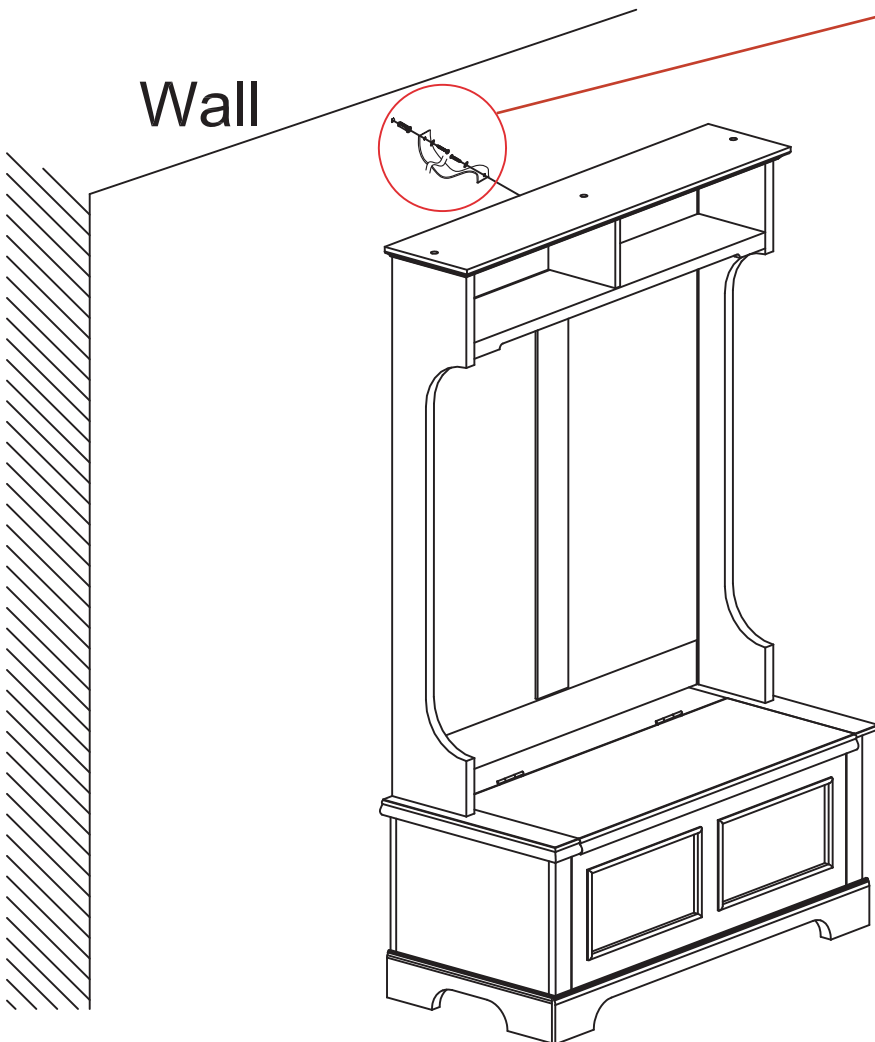
#10	A	B	C	D	E
					
SAFETY STRAP KIT 1 PC	WALL ANCHOR Ax1 PC	WASHER Bx2PCS	SHORT SCREW Cx1PC	LONG SCREW Dx1PC	SAFETY WALL STRAP Ex1PC

- 1.) Insert short screw (part C) through washer (part B) and safety wall strap (part E), and attach to top panel (part A) using Phillips head screwdriver.
- 2.) Drill a 11/32" (6 mm) hole where you want to secure the unit. The drilled hole will be at the same height as the hole in top panel (part A) where the safety strap (part E) is attached. Tap wall anchor (part A) into the hole.
- 3.) Insert long screw (part D) through washer (part B) and safety wall strap (part E) into wall anchor (part A) using a Phillips head screwdriver.

Note: This item is not intended for clothing storage use.



Wall



**▲ WARNING**

Children have died from furniture tipover. To reduce the risk of furniture tipover:

- ALWAYS install tipover restraint provided.
- NEVER put a TV on this product.
- NEVER allow children to stand, climb or hang on drawers, doors, or shelves.
- NEVER open more than one drawer at a time.
- Place heaviest items in the lowest drawers.

*This is a permanent label. Do not remove!*