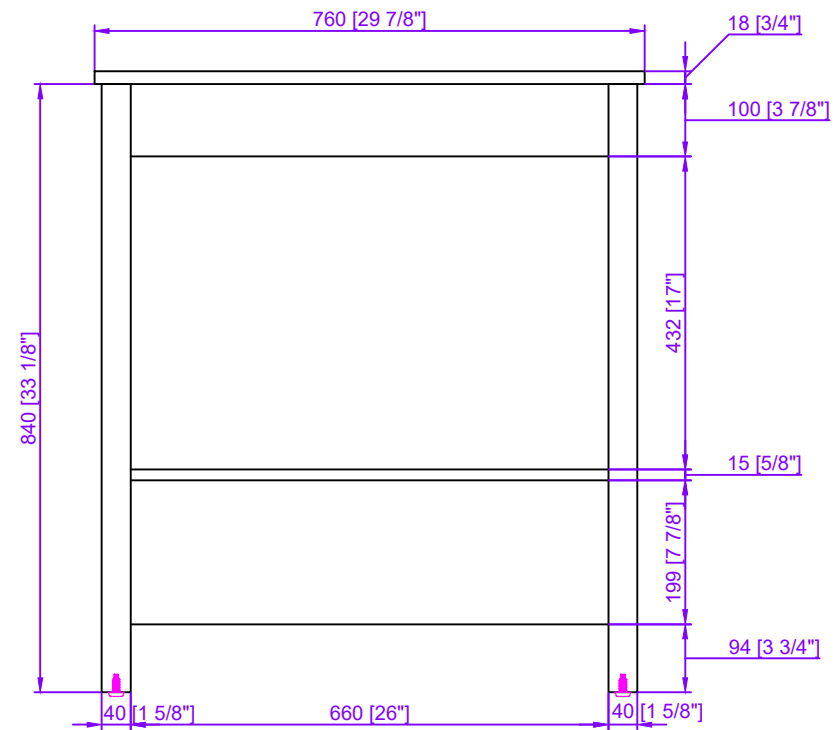
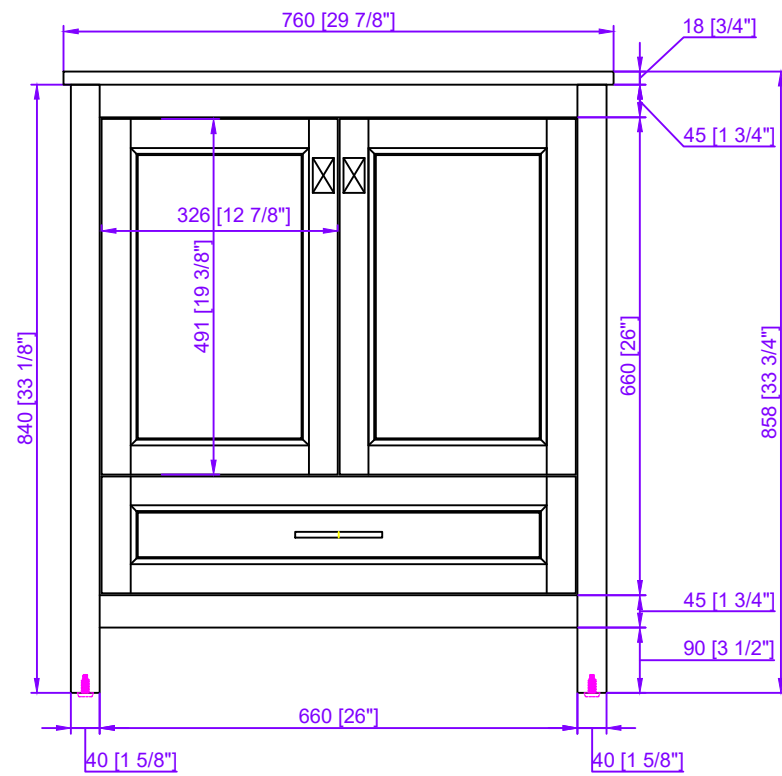


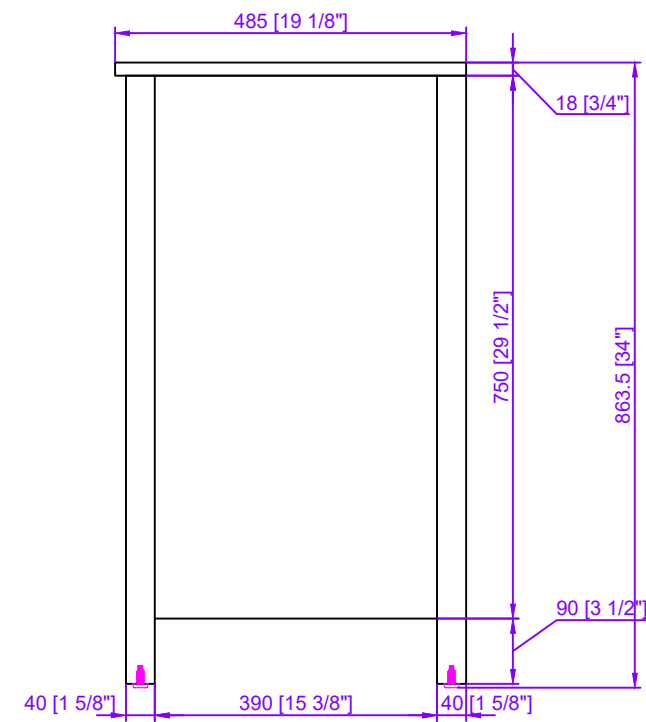
Top-view



Back-view



Front-view



Side-view

MODEL NO:	23V03-30
DESCRIPTION:	
COLOR1:	