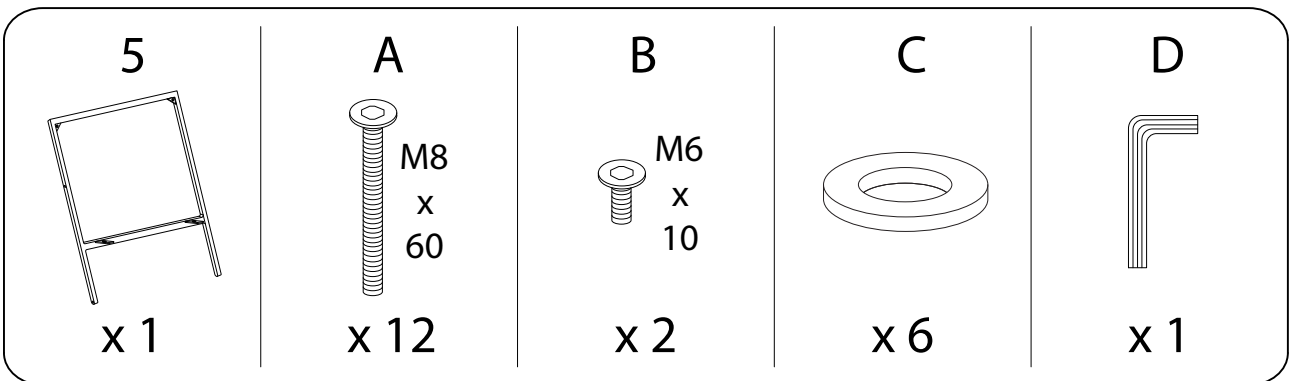
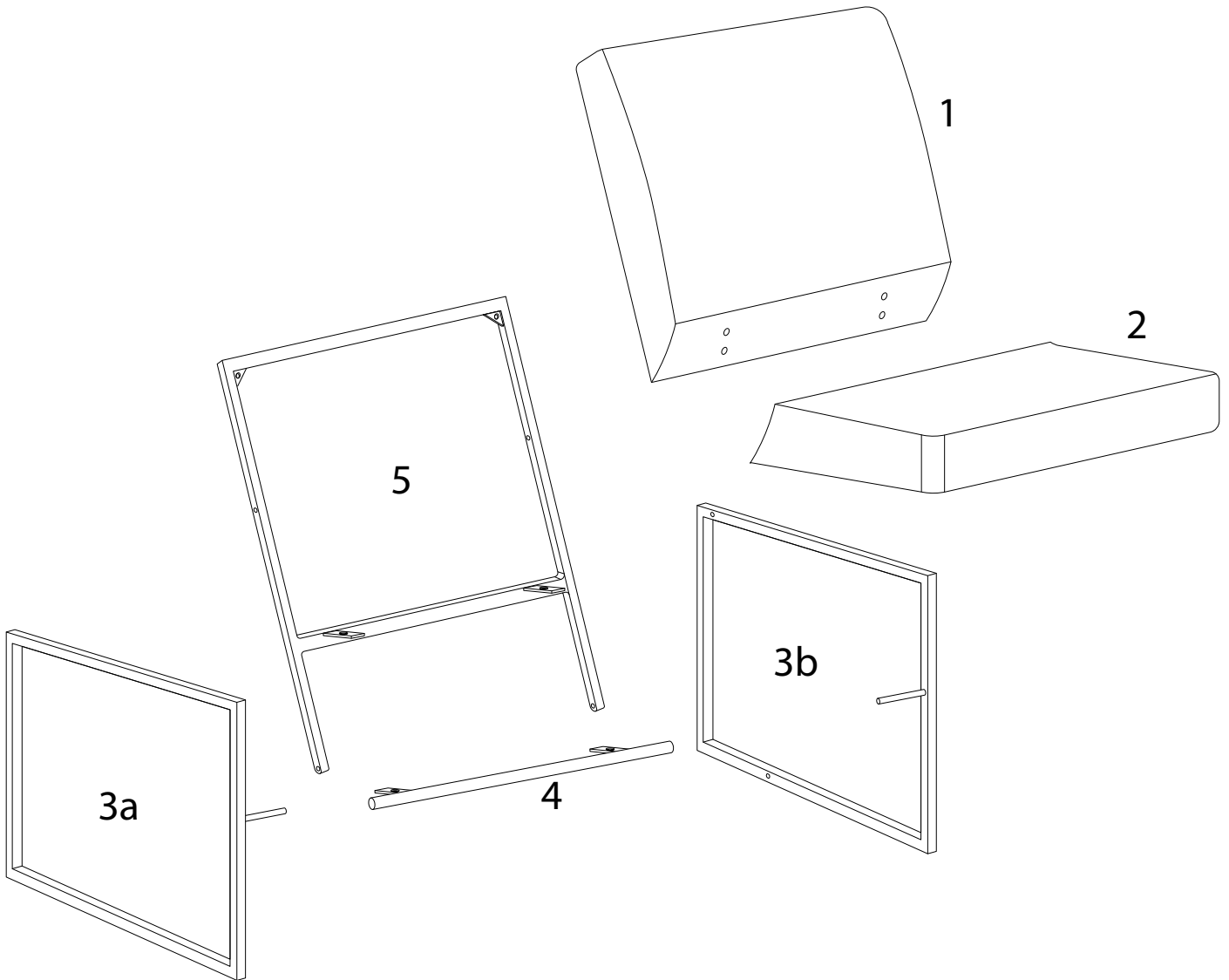
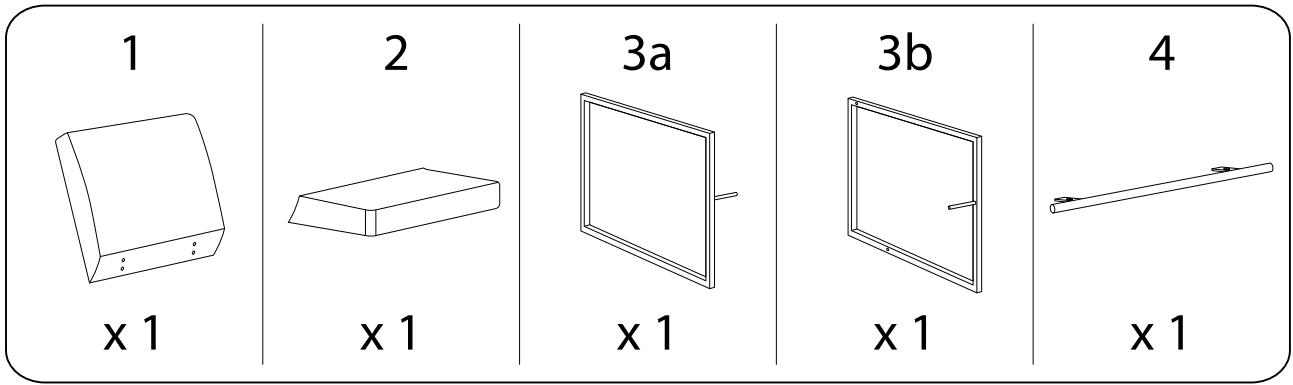


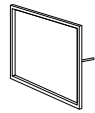
Diagram illustrating assembly instructions and safety warnings:

- Warning 1:** A warning triangle with an exclamation mark is positioned above a box containing:
 - A circular inset showing an L-shaped metal bracket.
 - An image of a power drill with a diagonal line through it, indicating that a power drill should not be used.
- Warning 2:** A second warning triangle with an exclamation mark is positioned above a box containing:
 - A circular inset showing a rectangular block being placed on a textured surface.
 - An image of a rectangular block with a diagonal line through it, indicating that the block should not be placed on a soft or uneven surface.
- Time:** A clock icon is shown next to the text "20'", indicating an estimated assembly time of 20 minutes.
- Person:** A stick figure icon is shown next to the number "1", indicating that one person is required for assembly.



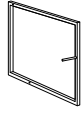
1

3a



x 1

3b



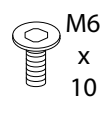
x 1

4



x 1

B

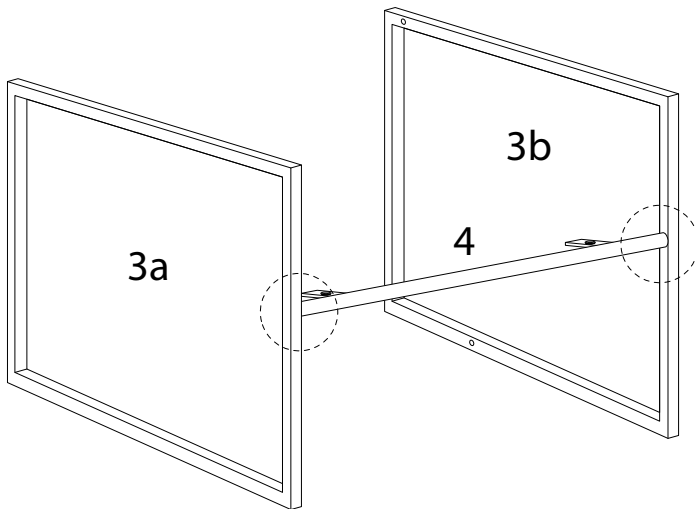


x 2

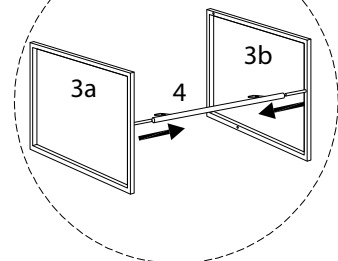
D



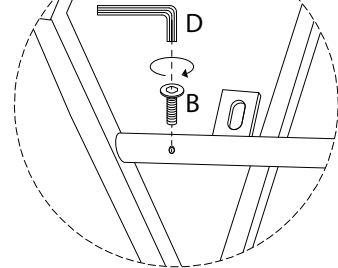
x 1



1a

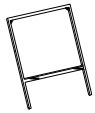


1b



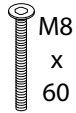
2

5



x 1

A

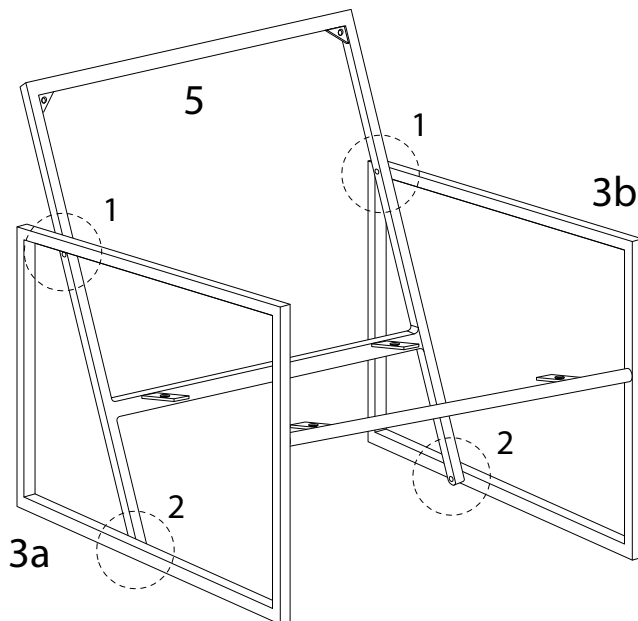


x 4

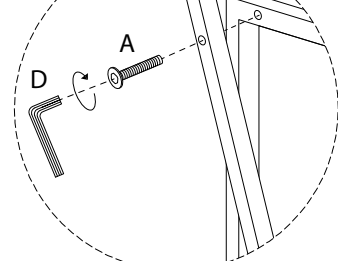
D



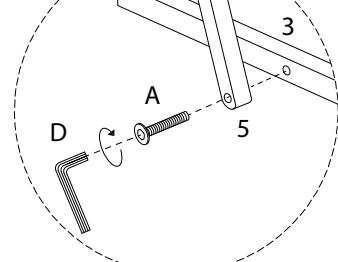
x 1



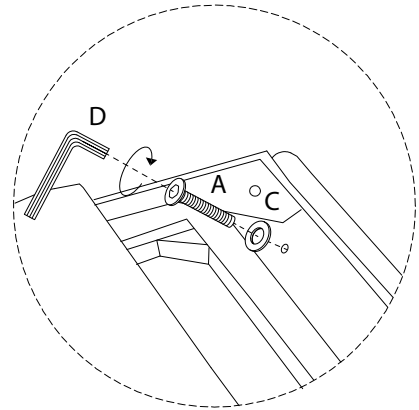
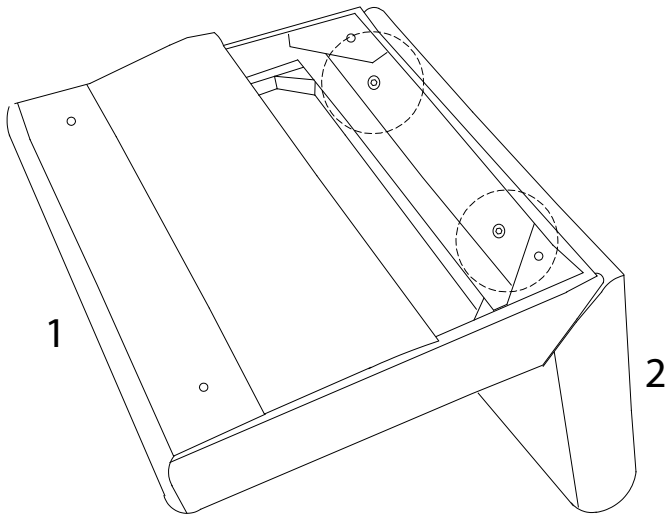
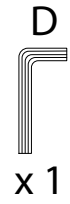
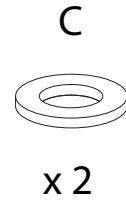
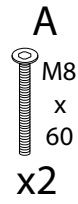
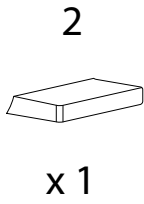
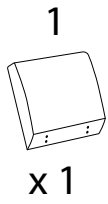
1



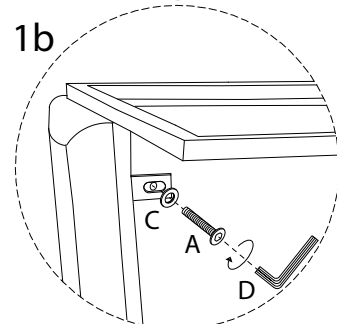
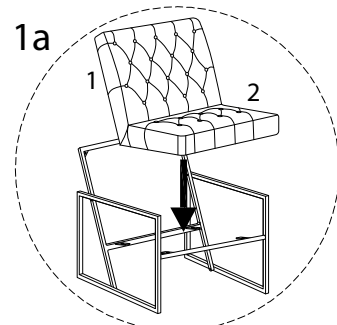
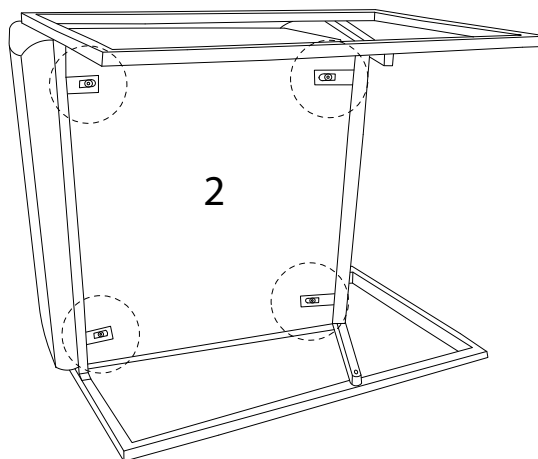
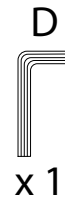
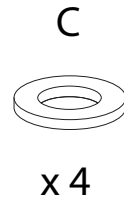
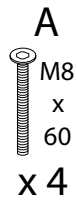
2



3



4



5

A
M8
x
60
x 2

D
x 1

