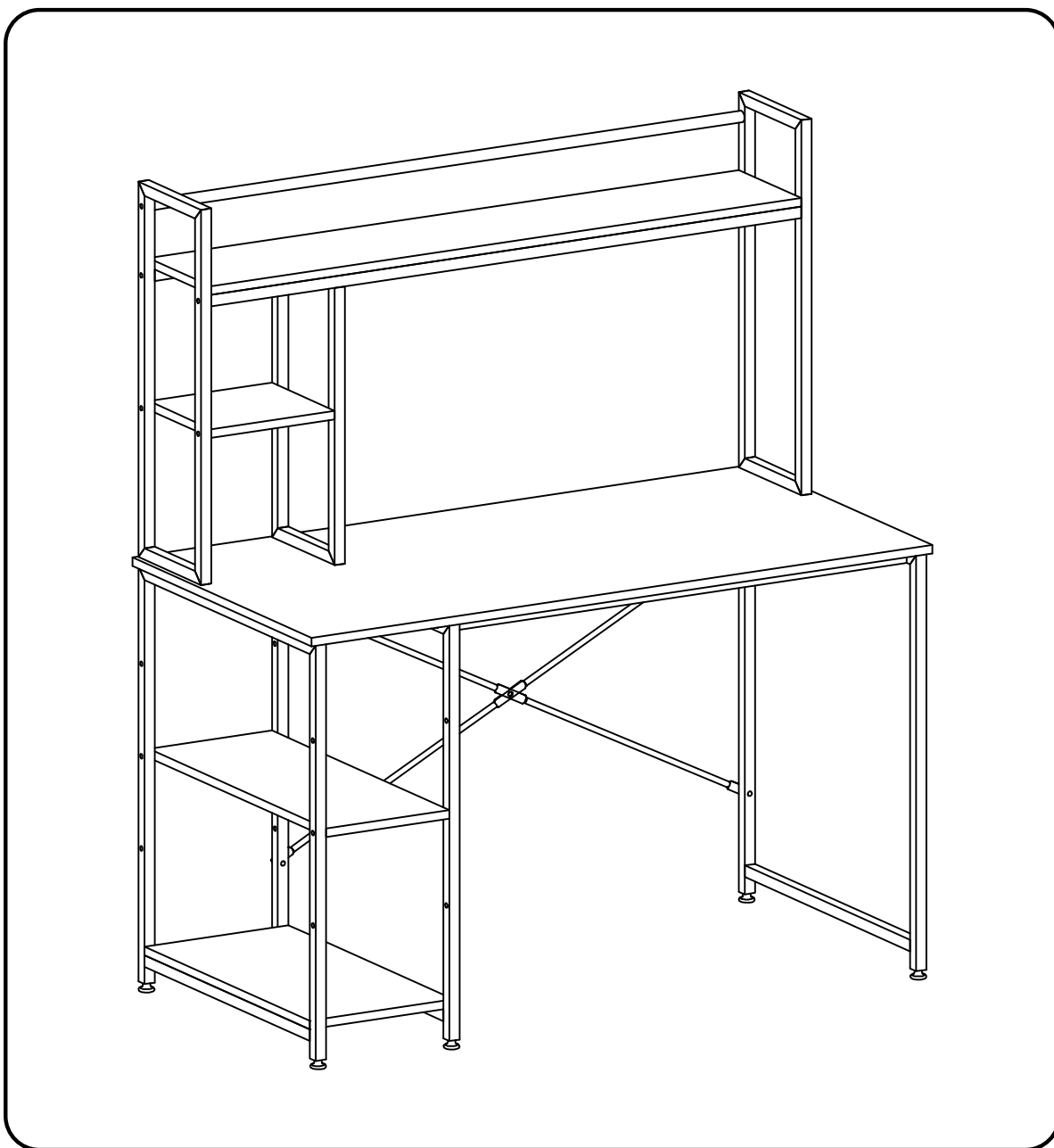


**PRODUCT NAME:**

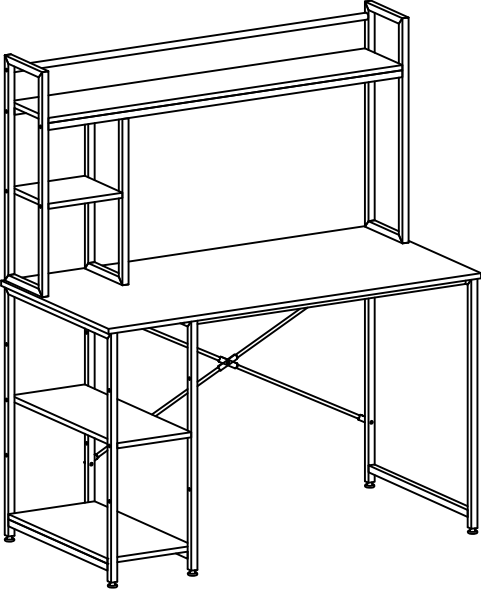
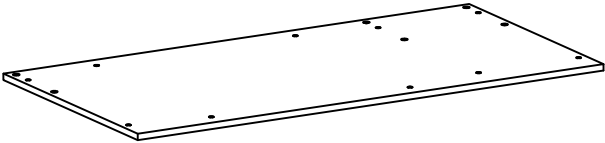


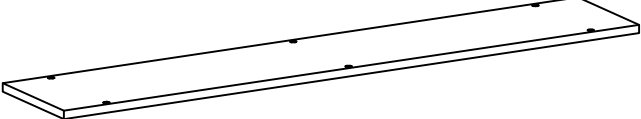

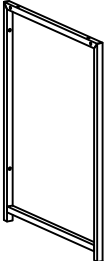
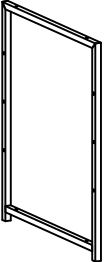
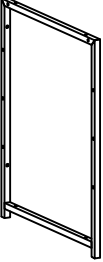
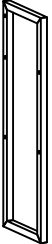
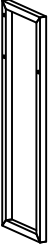





**ASSEMBLY  
INSTRUCTION**

## **Computer desk with hutch**


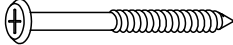
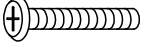

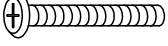

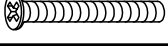





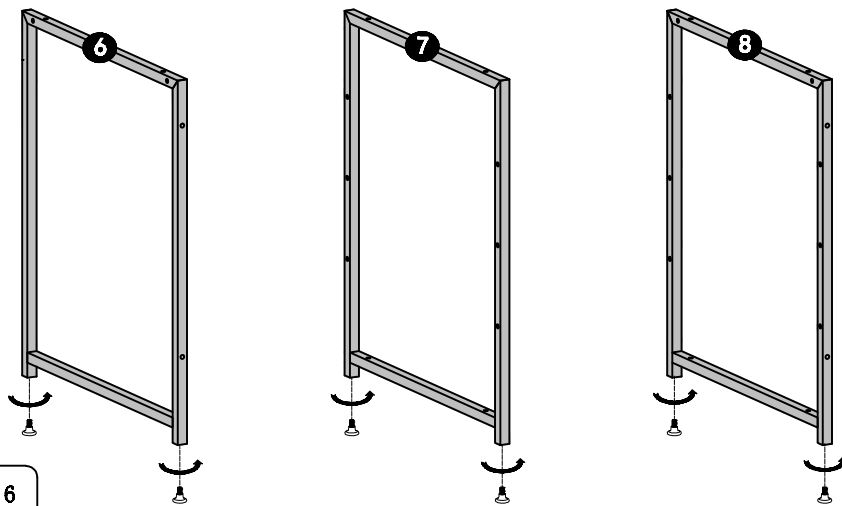
# PARTS LIST

	<b>1</b>  ×1		
	<b>2</b>  ×1	<b>3</b>  ×1	
<b>4</b>  ×1	<b>5</b>  ×1	<b>6</b>  ×1	
<b>7</b>  ×1	<b>8</b>  ×1	<b>9</b>  ×1	<b>10</b>  ×1
<b>11</b>  ×1	<b>12</b>  ×1	<b>13</b>  ×2	<b>14</b>  ×2
<b>15</b>  ×2			

# ACCESSORIES LIST

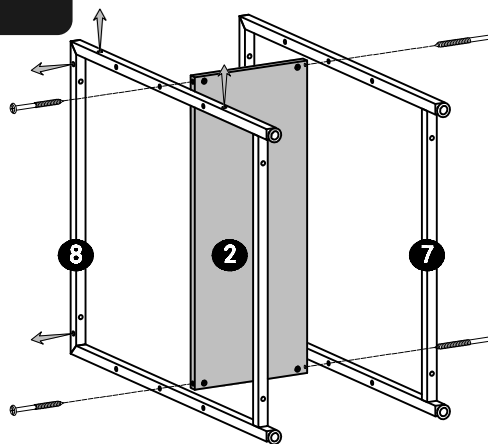
No.	PICTURE	SIZE	QTY	No.	PICTURE	SIZE	QTY
<b>A</b>		M6x10	1	<b>E</b>		ST5x50	8
<b>B</b>		M6x30	32	<b>F</b>		M6	5
<b>C</b>		M6x35	8	<b>G</b>		M8-φ28	6
<b>D</b>		M6x35	2				

## STEP 1



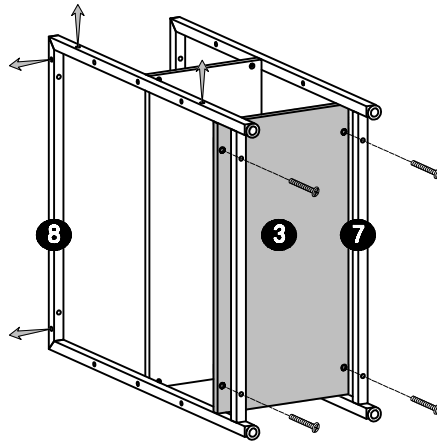
## STEP 2

※ You can install the shelf board in different height to meet your need. Do not tighten the screws before step 11 finished.



**E**  ST5x50 4

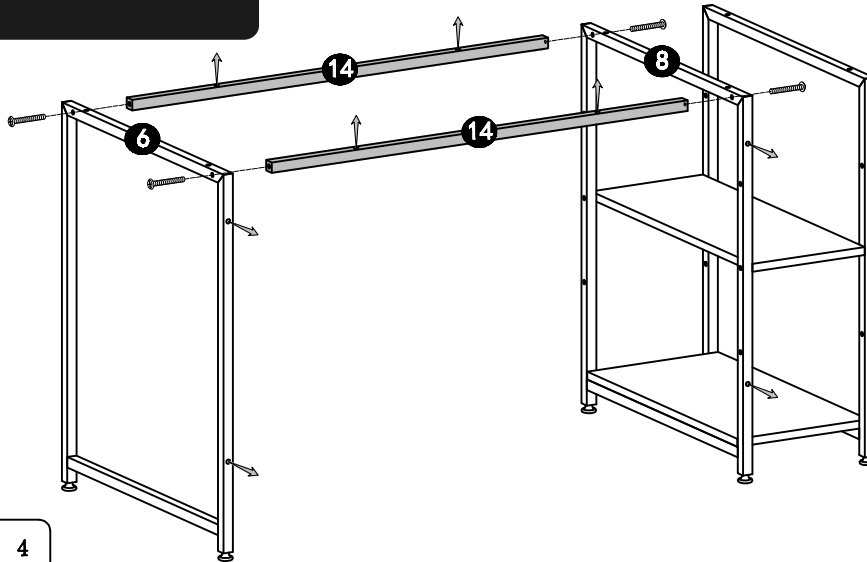
### STEP 3

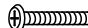


**B**  M6x30 4

### STEP 4

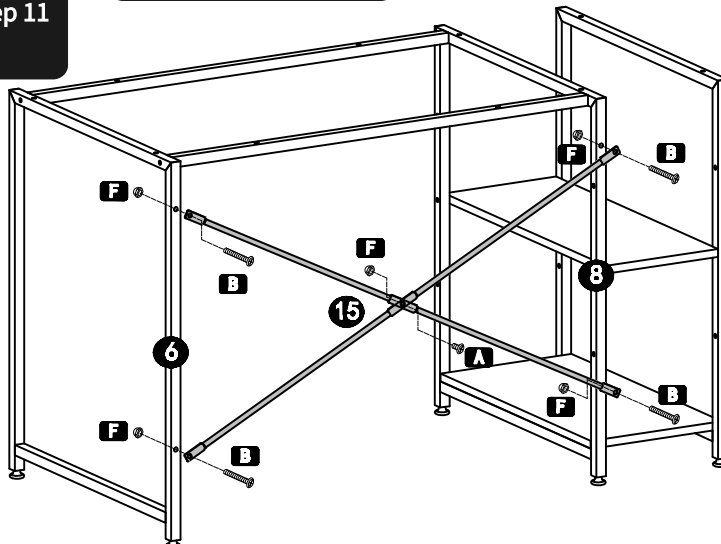
※ Do not tighten the screws before step 11 finished.



**C**  M6x35 4

### STEP 5

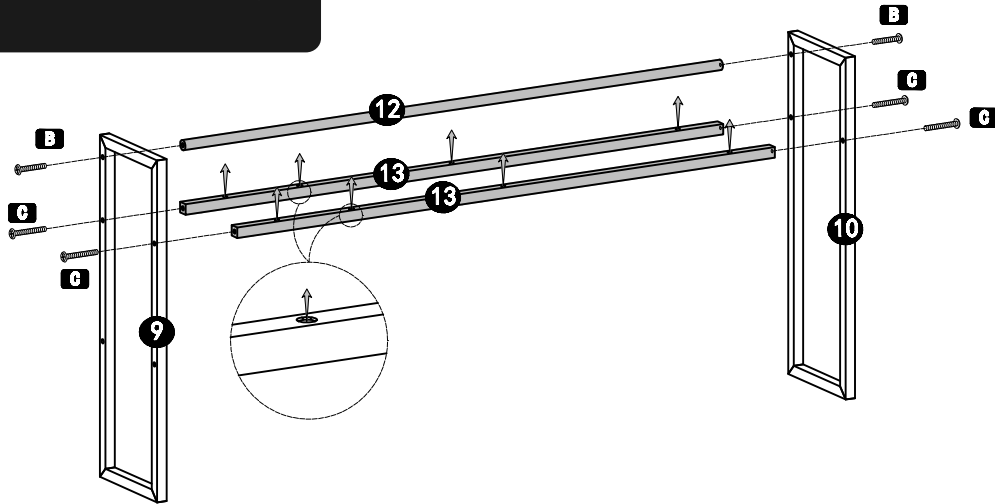
※ Do not tighten the screws before step 11 finished.

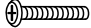
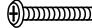


**A**  M6x10 1    **B**  M6x30 4    **F**  M6 5

## STEP 6

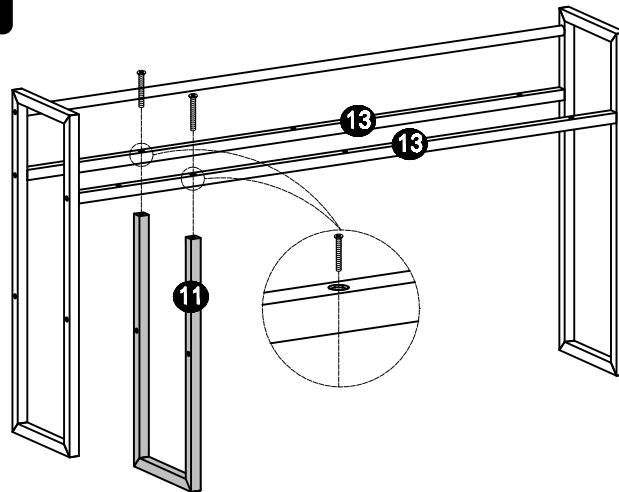
※ Do not tighten the screws before step 11 finished.

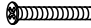


**B**  M6x30 2    **C**  M6x35 4

## STEP 7

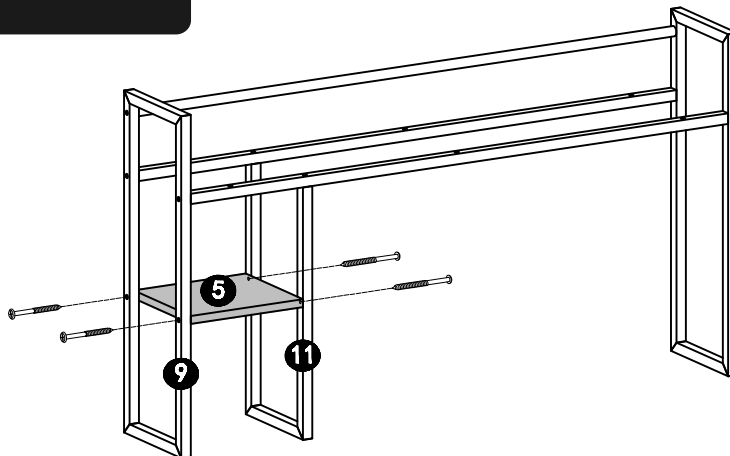
※ Tighten the screws in this step.



**D**  M6x35 2

## STEP 8

※ Do not tighten the screws before step 11 finished.



**E**  ST5x50 4

