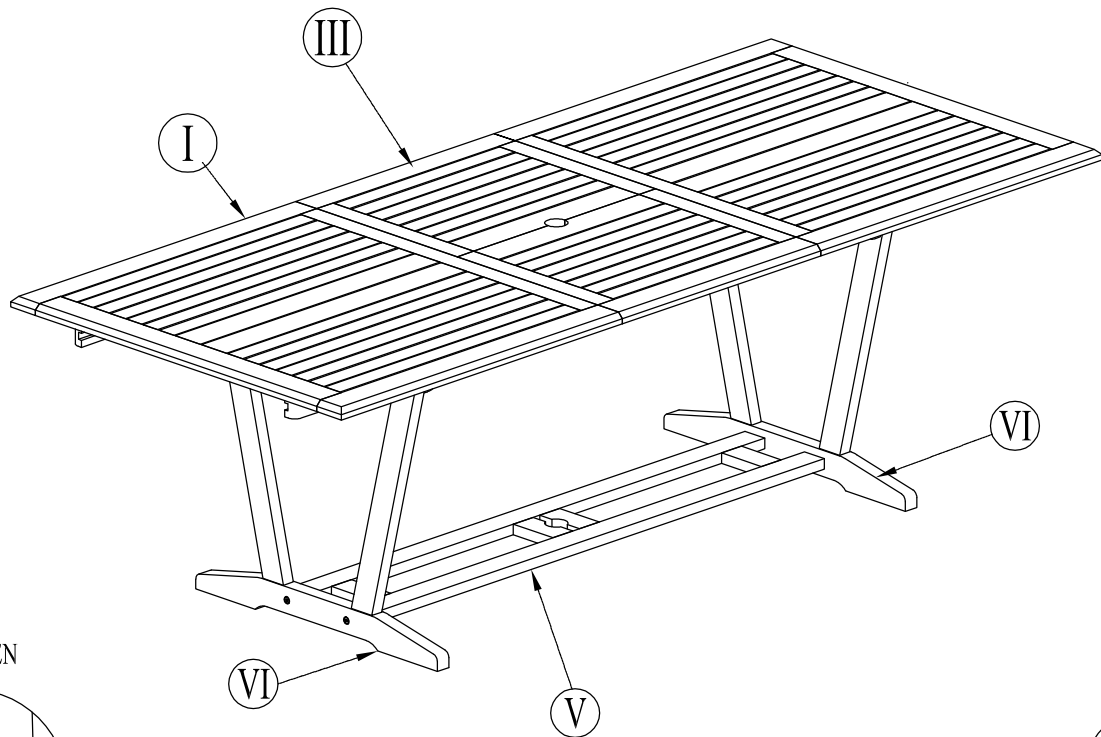
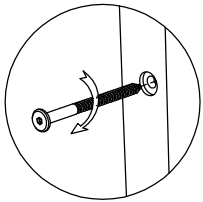


Weight capacity : 100kgs/ 220 Lbs

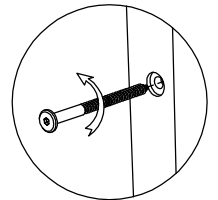




TIGHTEN

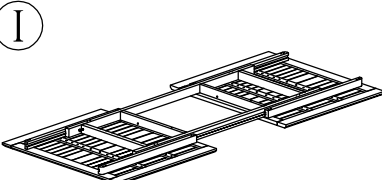
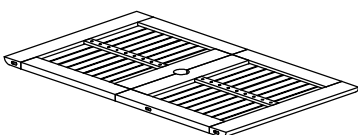
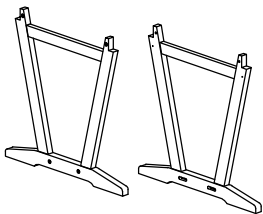
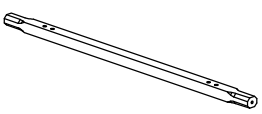
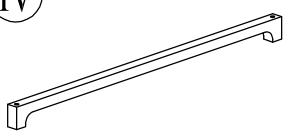
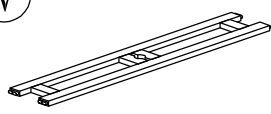
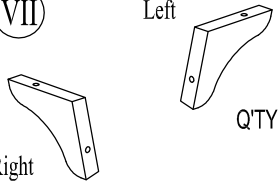


LOOSEN





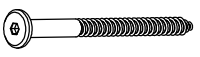
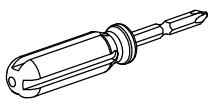


NOTE: 50% TIGHTEN BEFORE FIXING ALL BOLTS & SCREWS

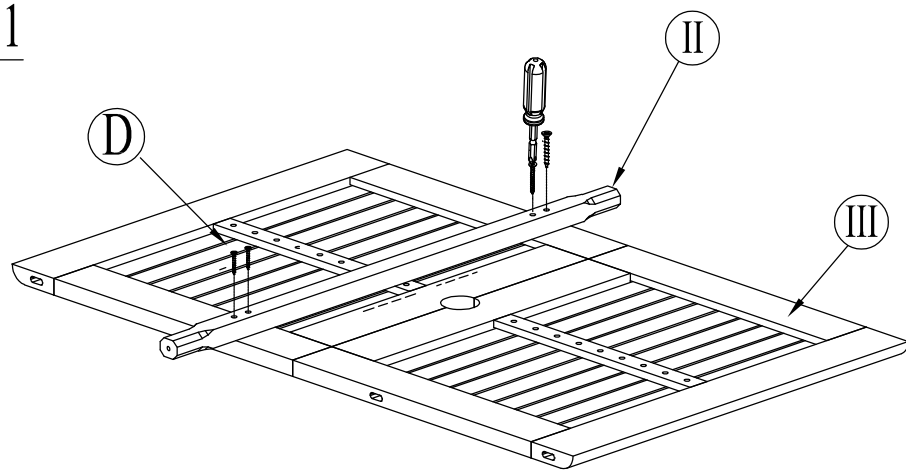
COMPONENTS LIST

 <p>Q'TY 1</p>	 <p>Q'TY 1</p>	 <p>Q'TY 2</p>	
 <p>Q'TY 1</p>		 <p>Q'TY 1</p>	 <p>Left Q'TY 2 Right Q'TY 2</p>

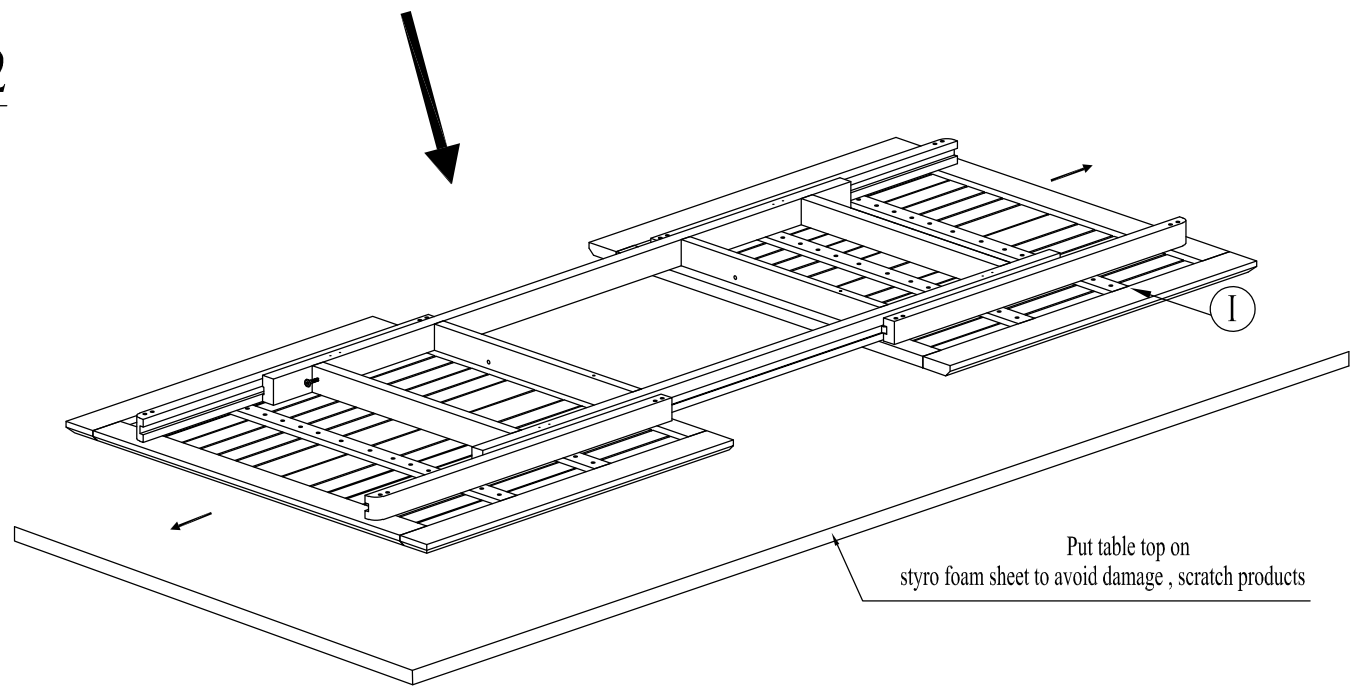
HARDWARE LIST

A		14	Screw 7x50	D		4	Screw 4x40
B		2	Screw 7x70	E		2	Allen Key
C		4	Screw 7x90	Supporting tools Screw driver			

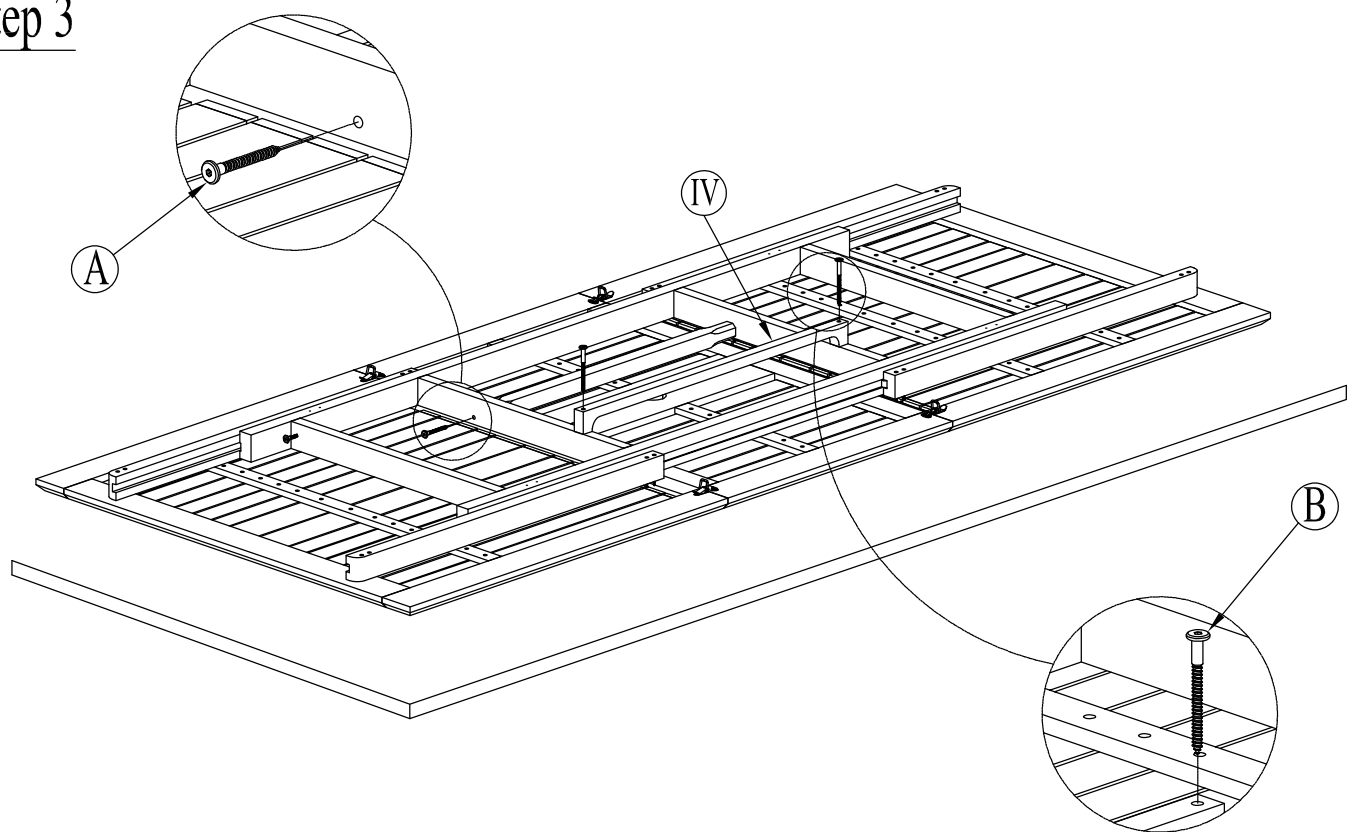
Step 1



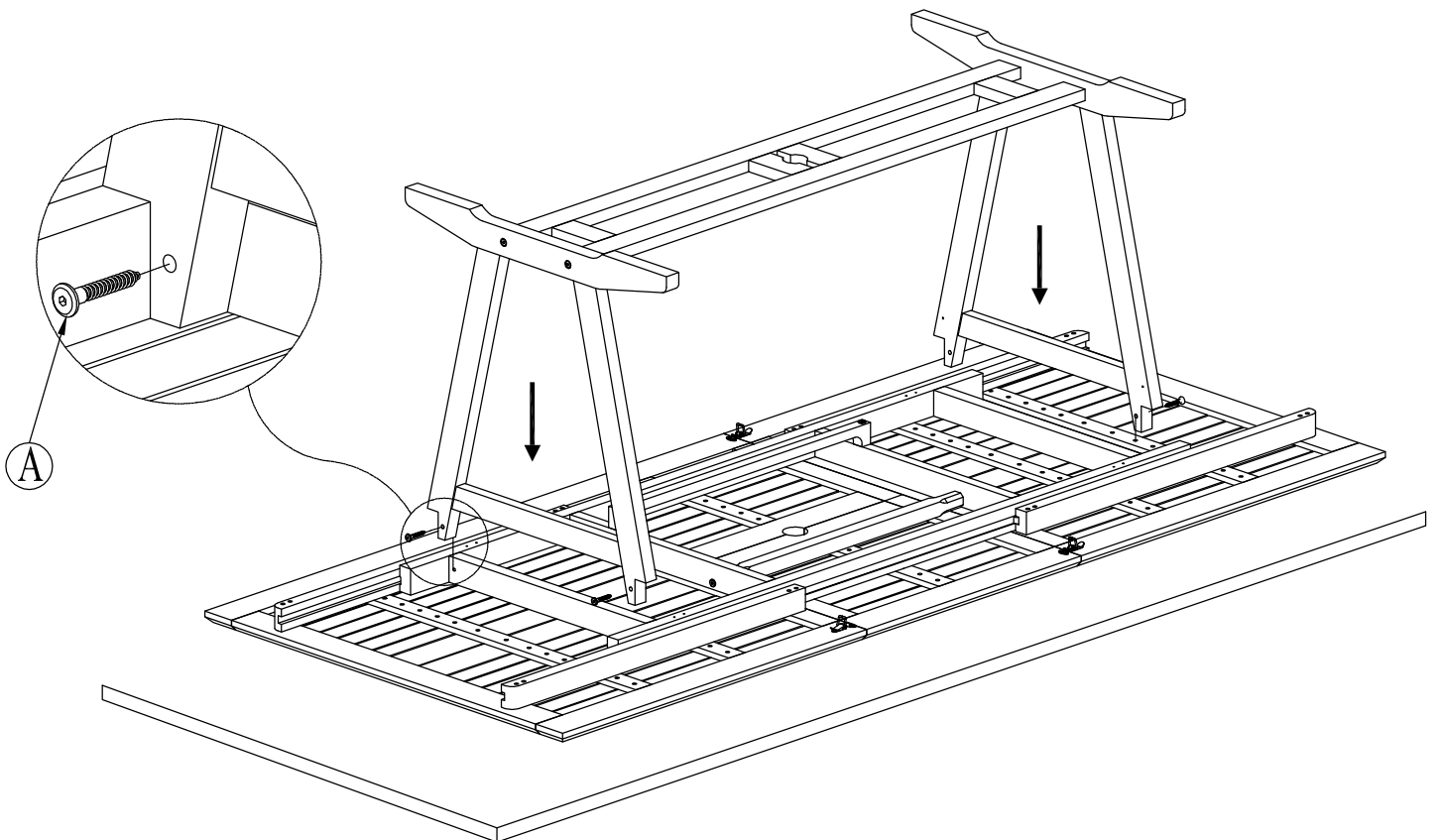
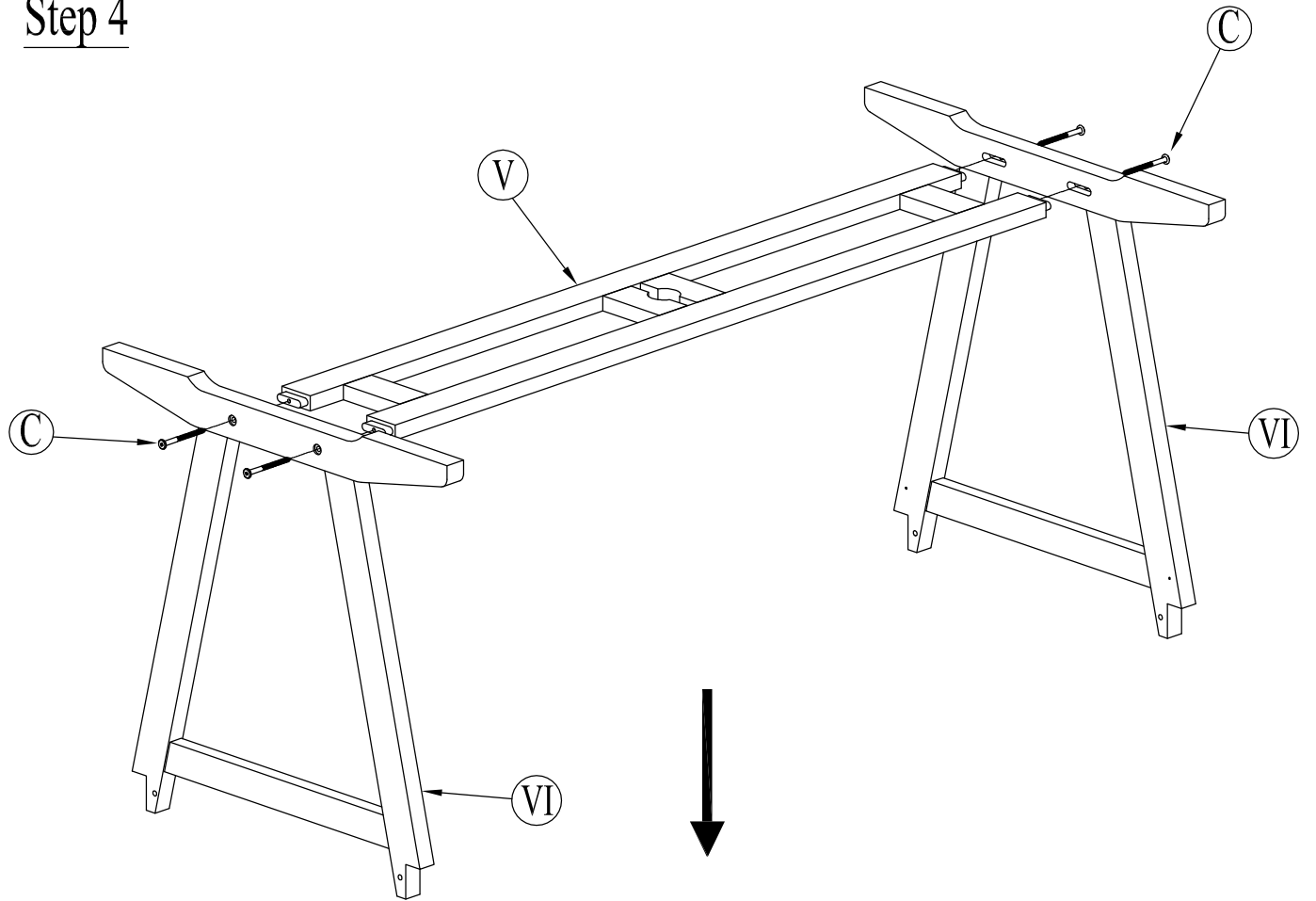
Step 2



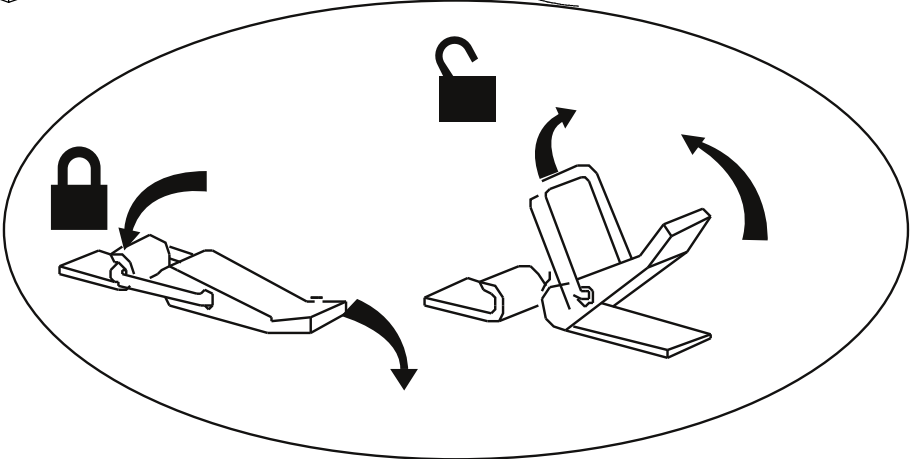
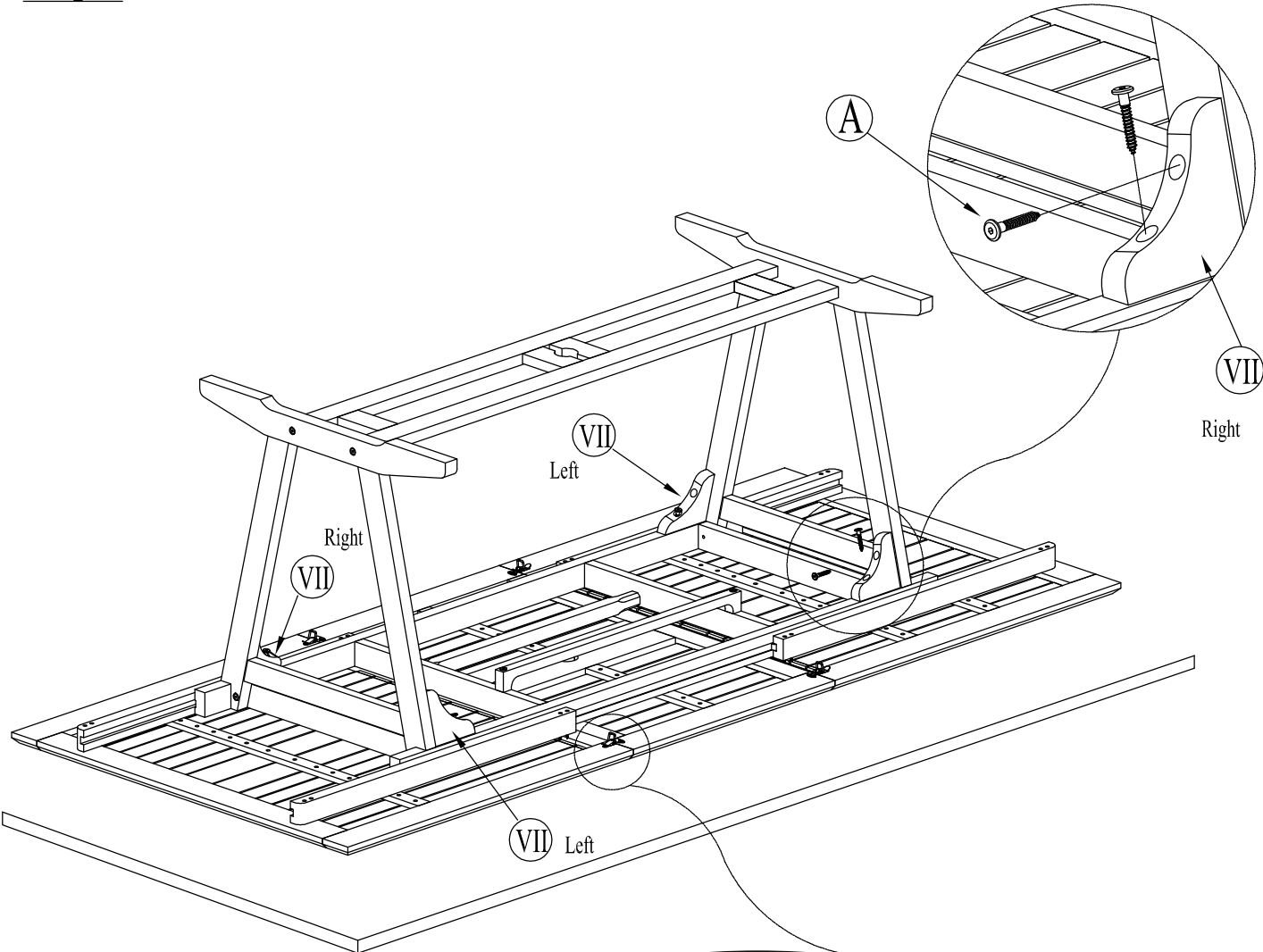
Step 3



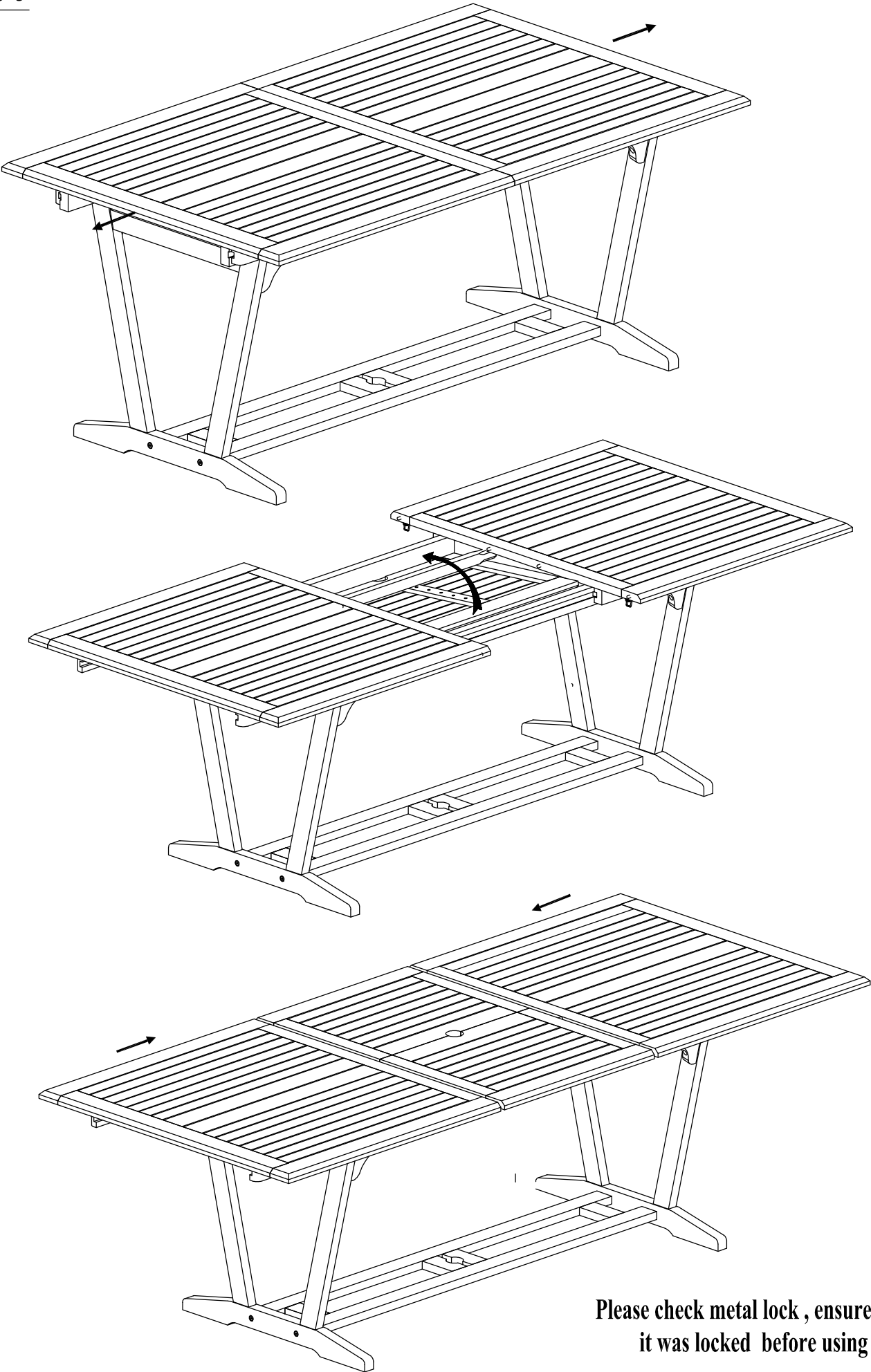
Step 4



Step 5



Step 5



Please check metal lock , ensure that it was locked before using