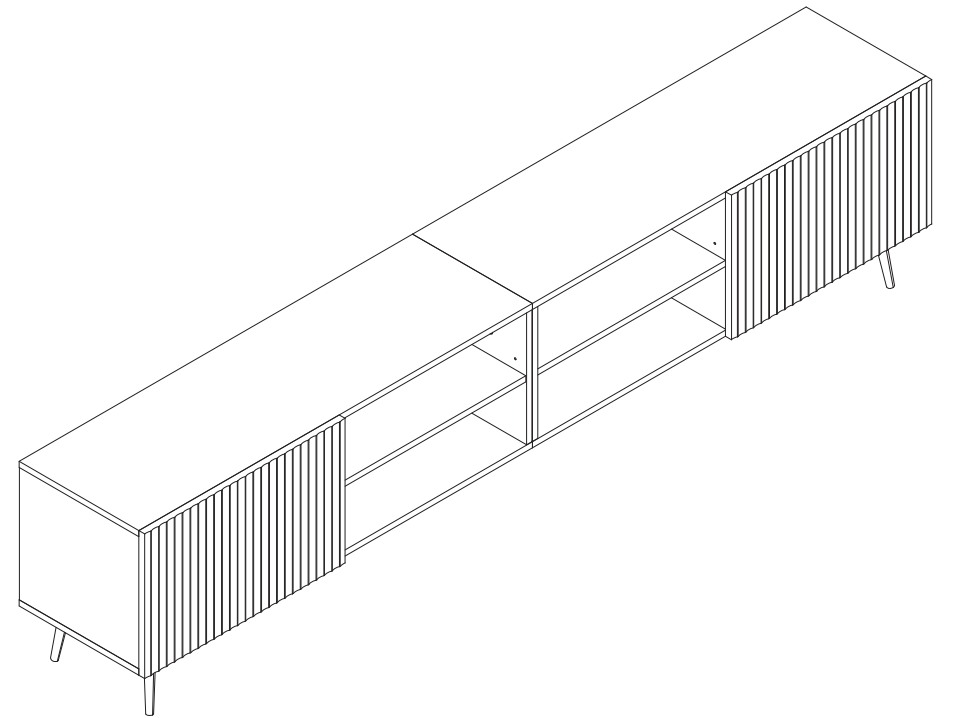


TV TABLE / SH-GT01

USAGE GUIDELINES

(To use this product, please read this User Guide carefully)



CATALOGS

Dear friends.

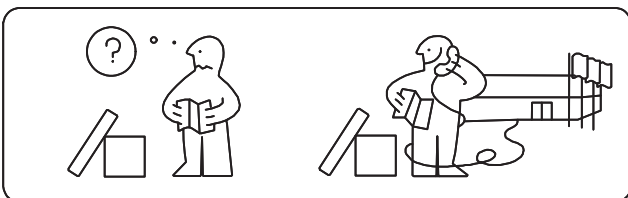
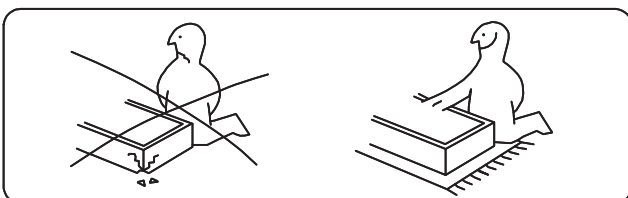
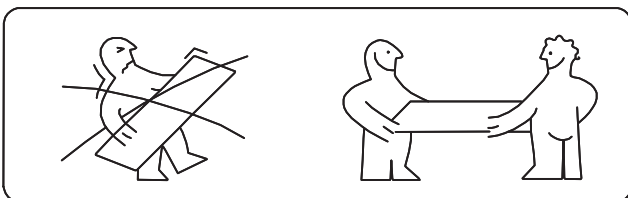
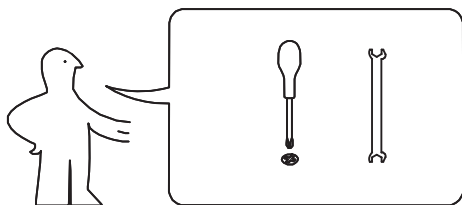
Thank you for using our products, in order to facilitate your correct operation of this product, please read this user guide carefully before use, and store it in a fixed place so that you can consult it in the future.

Basic Product Parameters -----	01
Unpacking List -----	02
Installation instructions -----	03
Transport and installation -----	07
Caveat -----	07

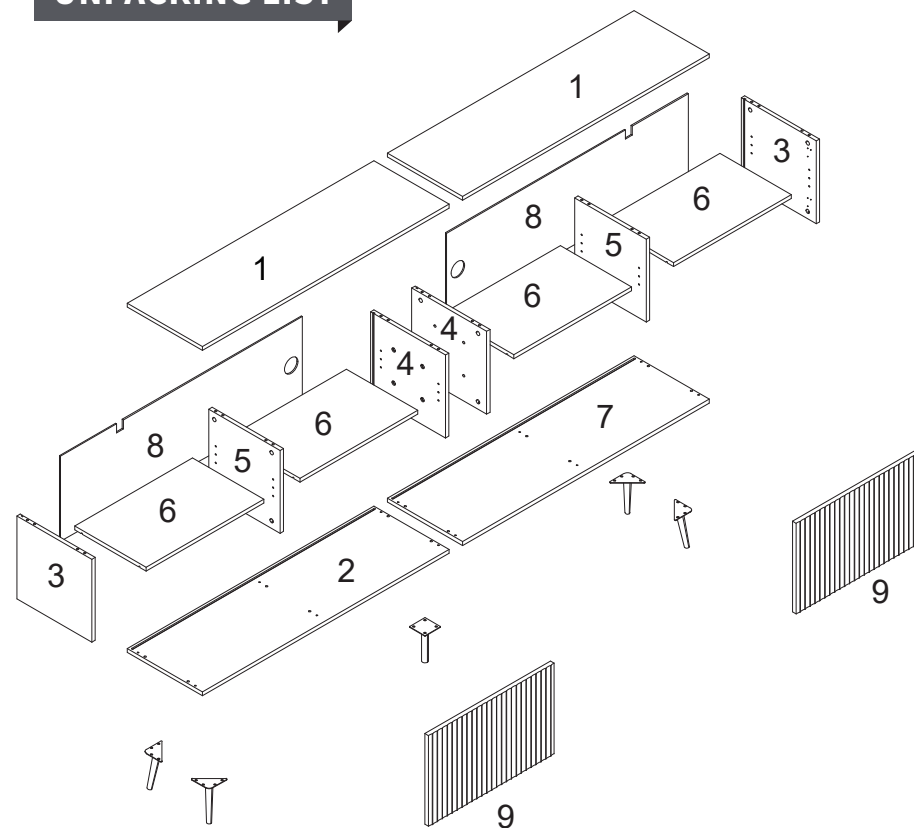
PREAMBLE

BASIC PRODUCT PARAMETERS

BRAND NAME	TV TABLE
MODEL NUMBER	SH-GT01
SIZES	220X49.5X35.5CM;
MAKERS	Zhejiang Eskimo Technology Co., Ltd.
COMPANY ADDRESS	Building 4, No.63 Jiujuan Road, Shangcheng District, Hangzhou City, Zhejiang Province , China.









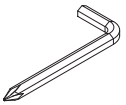

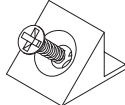



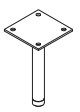
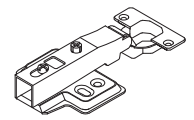


UNPACKING LIST



NO.	SIZE	QTY
1	1100*335*15	2
2	1100*335*15	1
3	334*320*15	2
4	334*320*15	2
5	319*320*15	2
6	525*318*15	4





NO.	SIZE	QTY
7	1100*335*15	1
8	1078*329*5	2
9	560*350*18	2

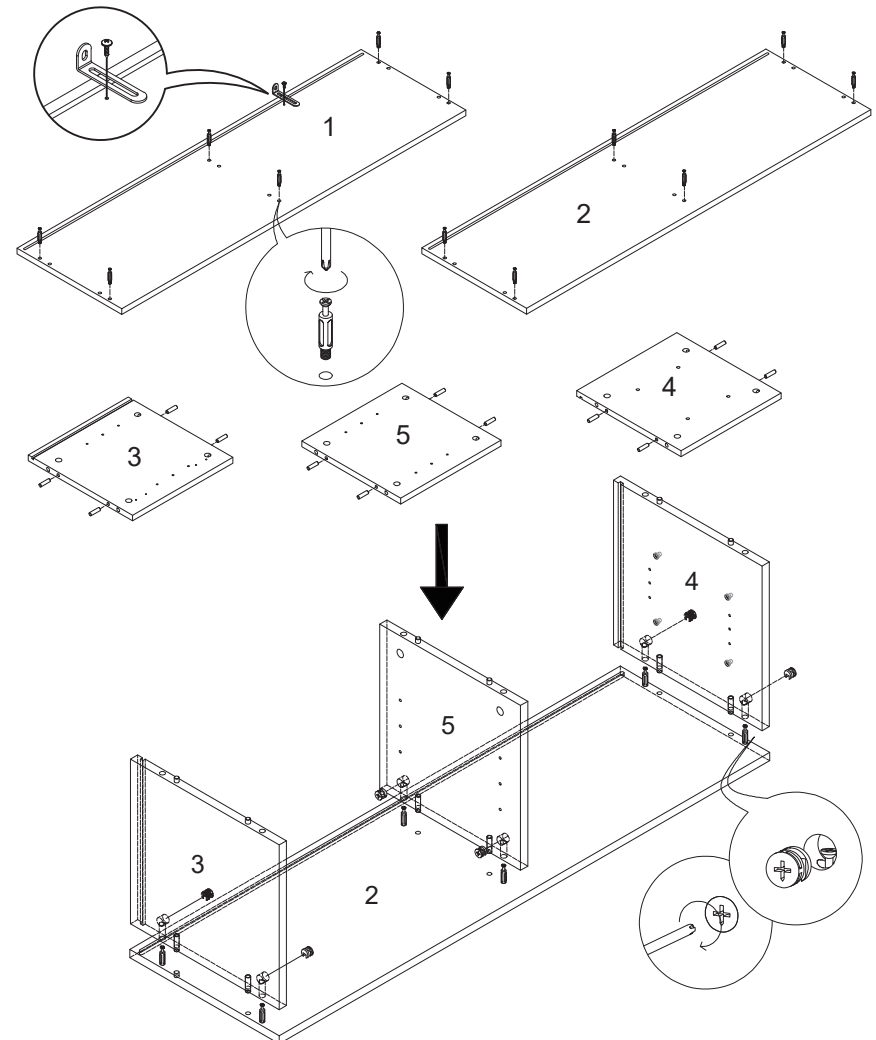
UNPACKING LIST

		
A L=35mm 25pcs (1pc spare)	B Ø15*12 25pcs (1pc spare)	C Ø8*30 25pcs (1pc spare)
		
D M6*12 21pcs (1pc spare)	E M6*15 5pcs (1pc spare)	F / 5pcs (1pc spare)
		
G L4 2pcs	H / 17pcs (1pc spare)	I / 9pcs (1pc spare)
		
J / 9pcs (1pc spare)	K / 4pcs	L M3.5*14 21pcs (1pc spare)
		
M / 1pc	N / 4set	O / 2set
		
P / 1set		

INSTALLATION INSTRUCTIONS

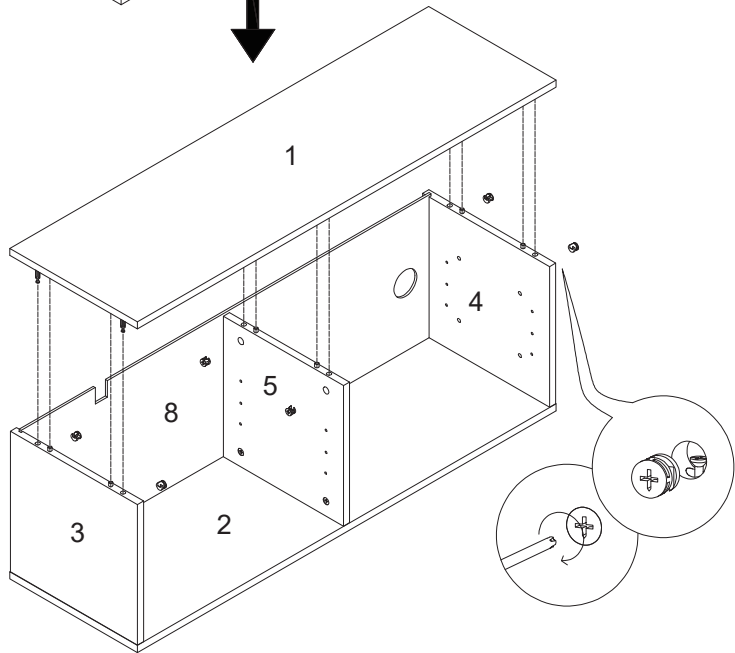
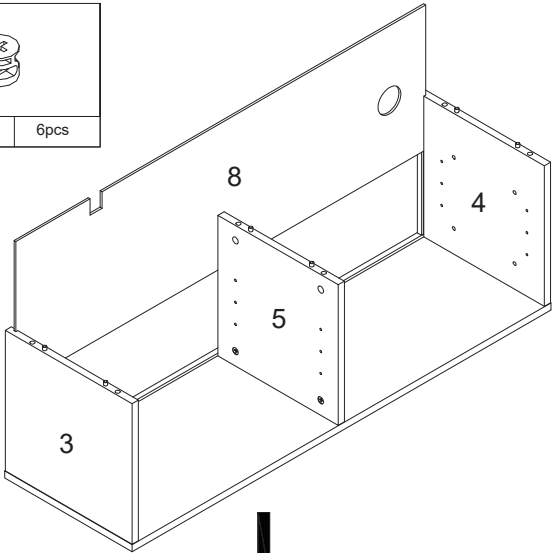
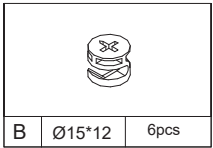
STEP 1

			
A L=35mm 12pcs	B Ø15*12 6pcs	C Ø8*30 12pcs	O / 1set

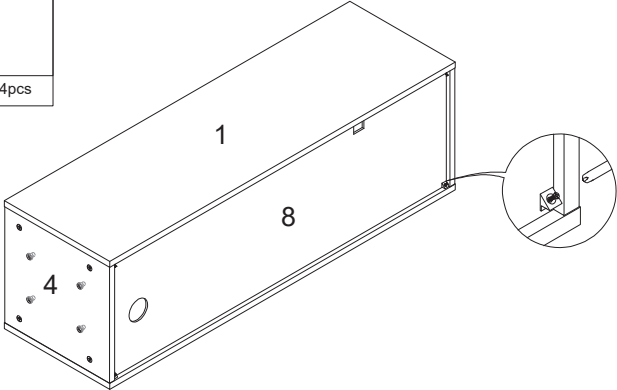
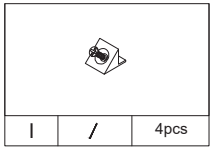


INSTALLATION INSTRUCTIONS

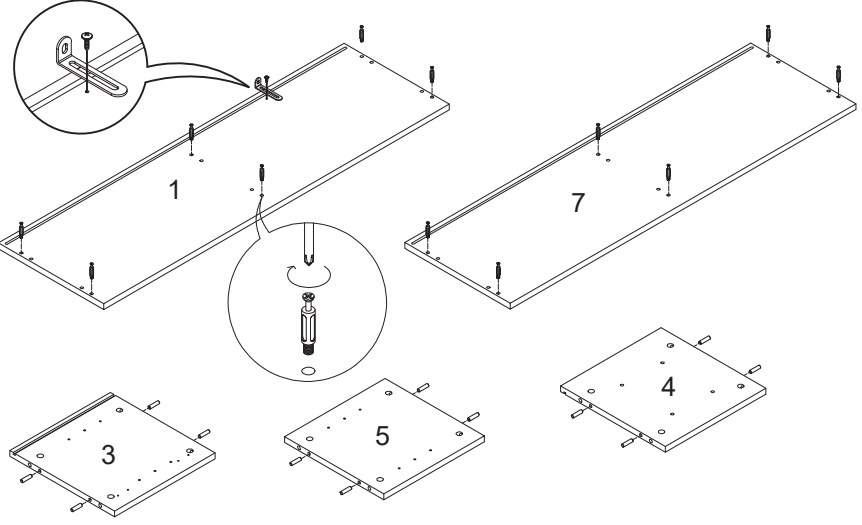
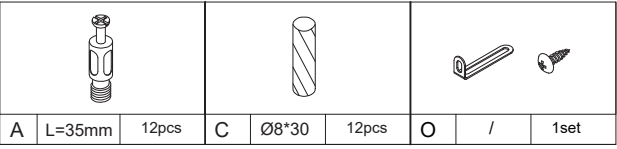
STEP 2



STEP 3

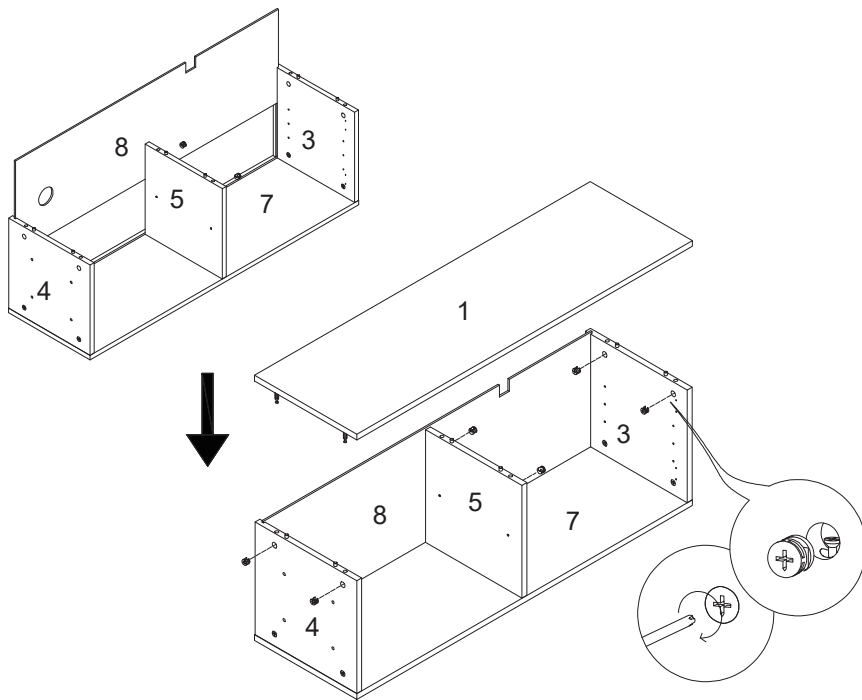
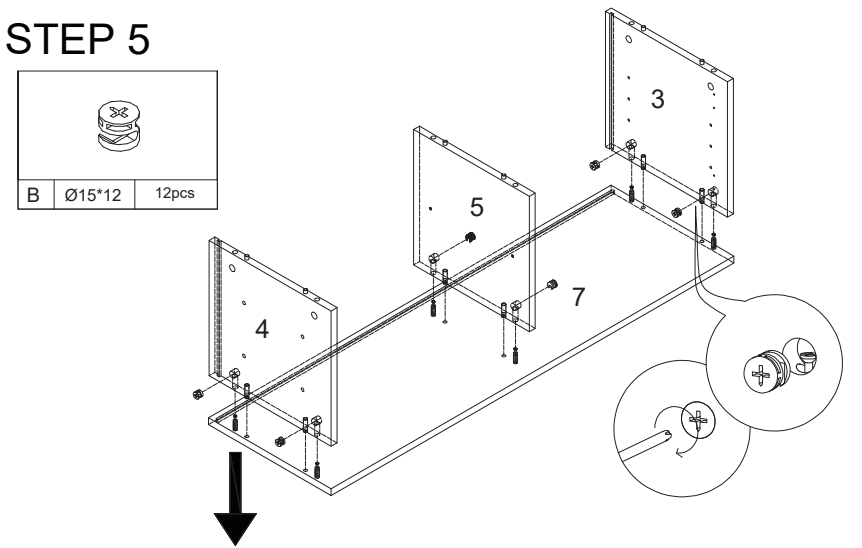
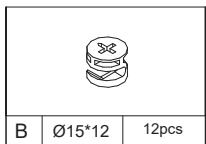


STEP 4

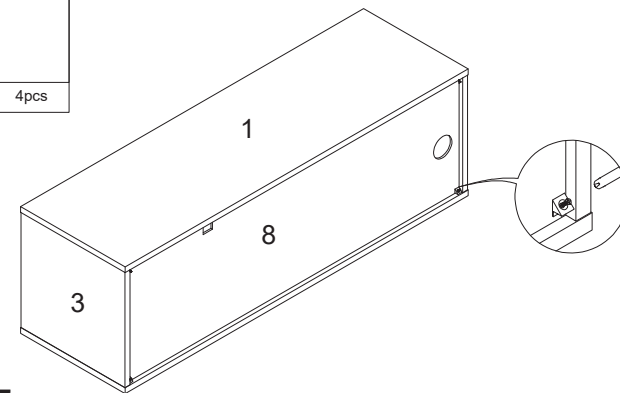
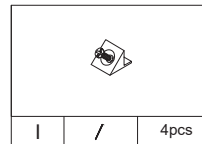


INSTALLATION INSTRUCTIONS

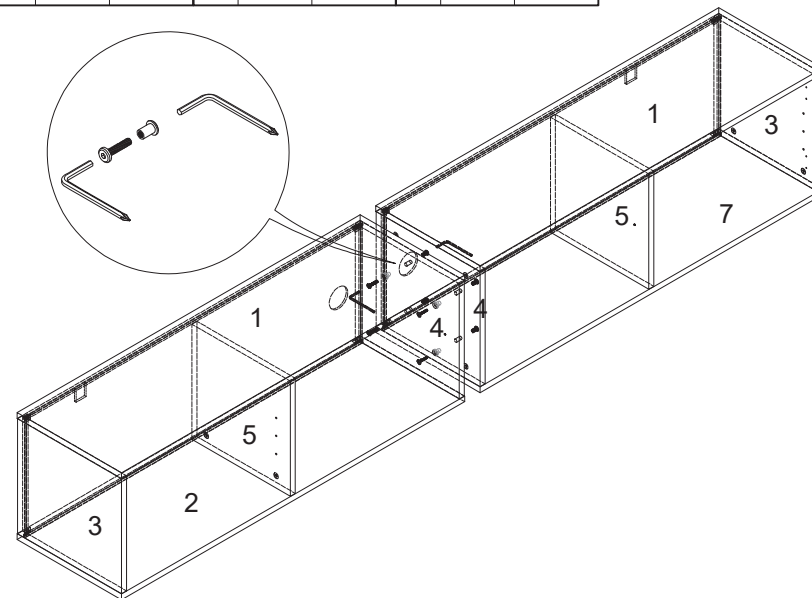
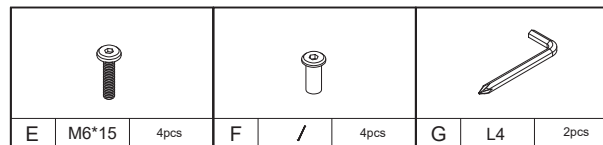
STEP 5



STEP 6

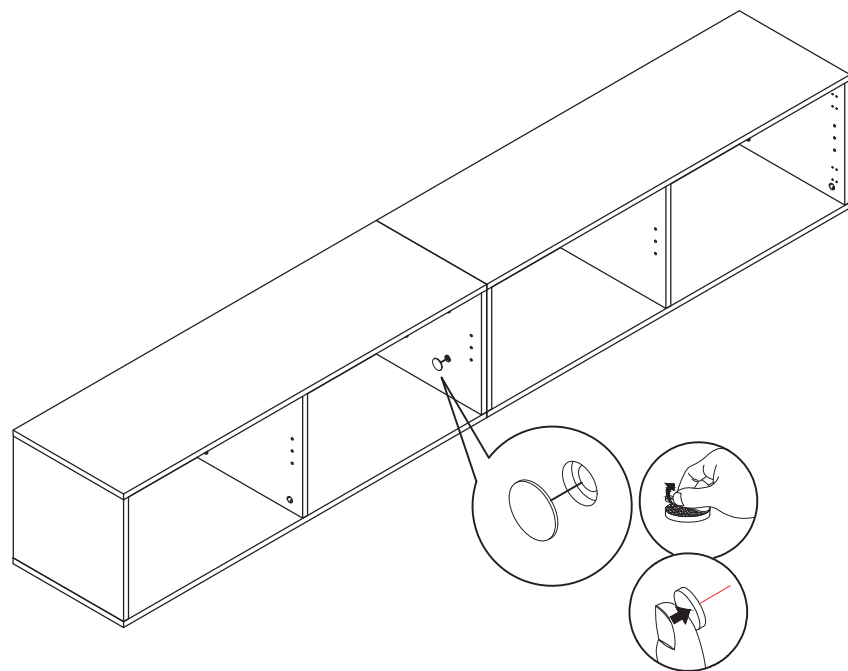
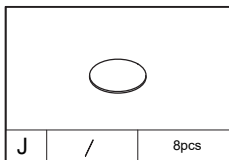


STEP 7

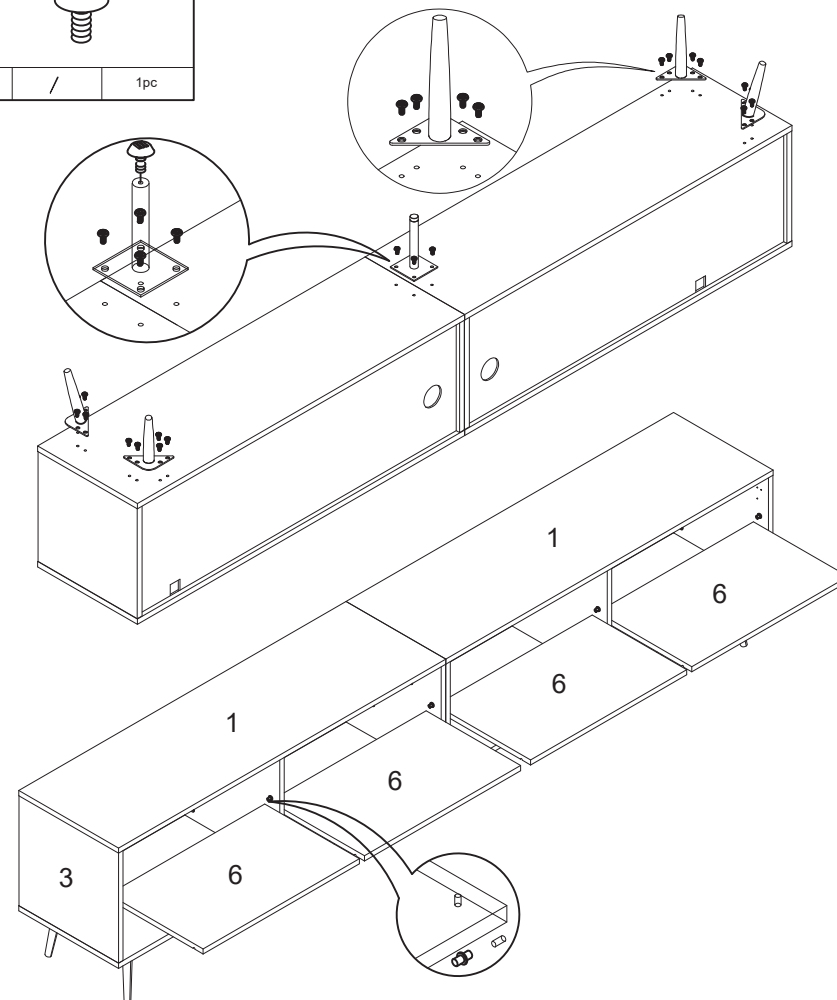
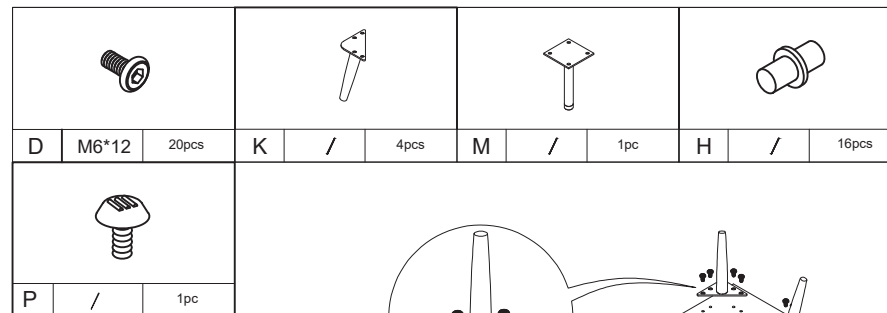


INSTALLATION INSTRUCTIONS

STEP 8


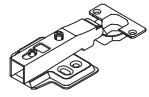


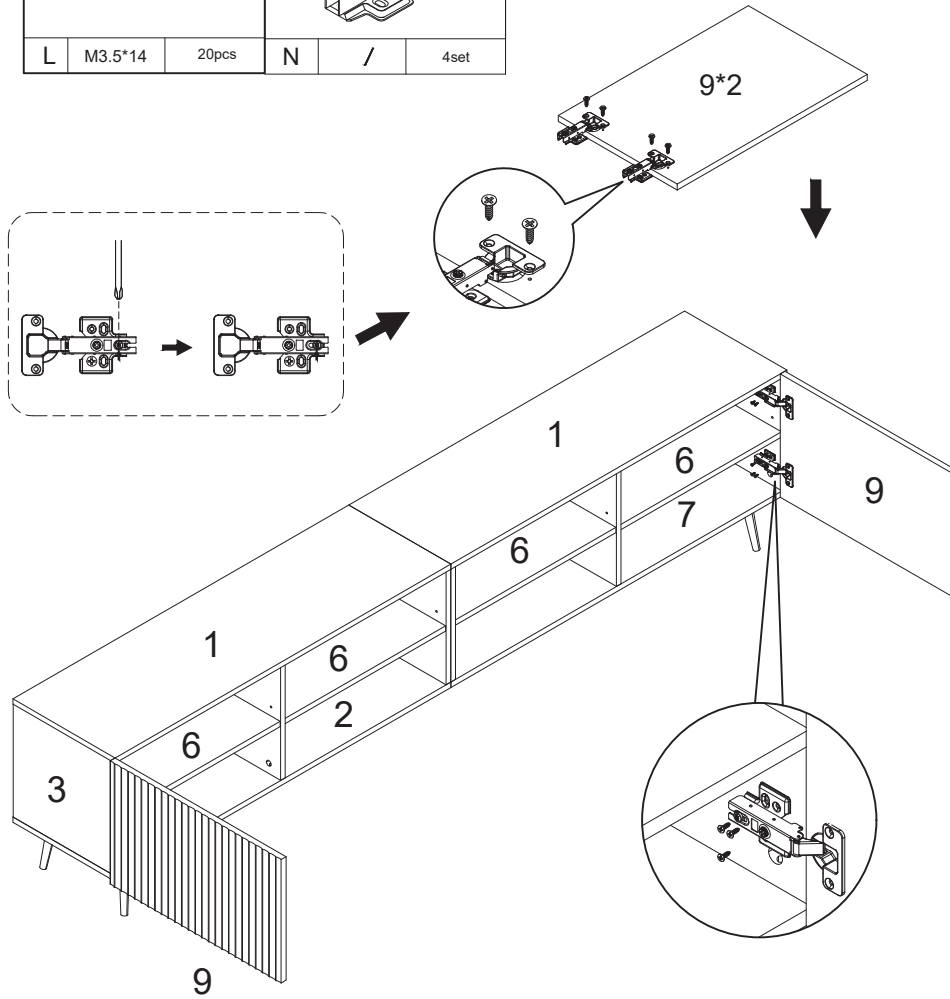
STEP 9




INSTALLATION INSTRUCTIONS

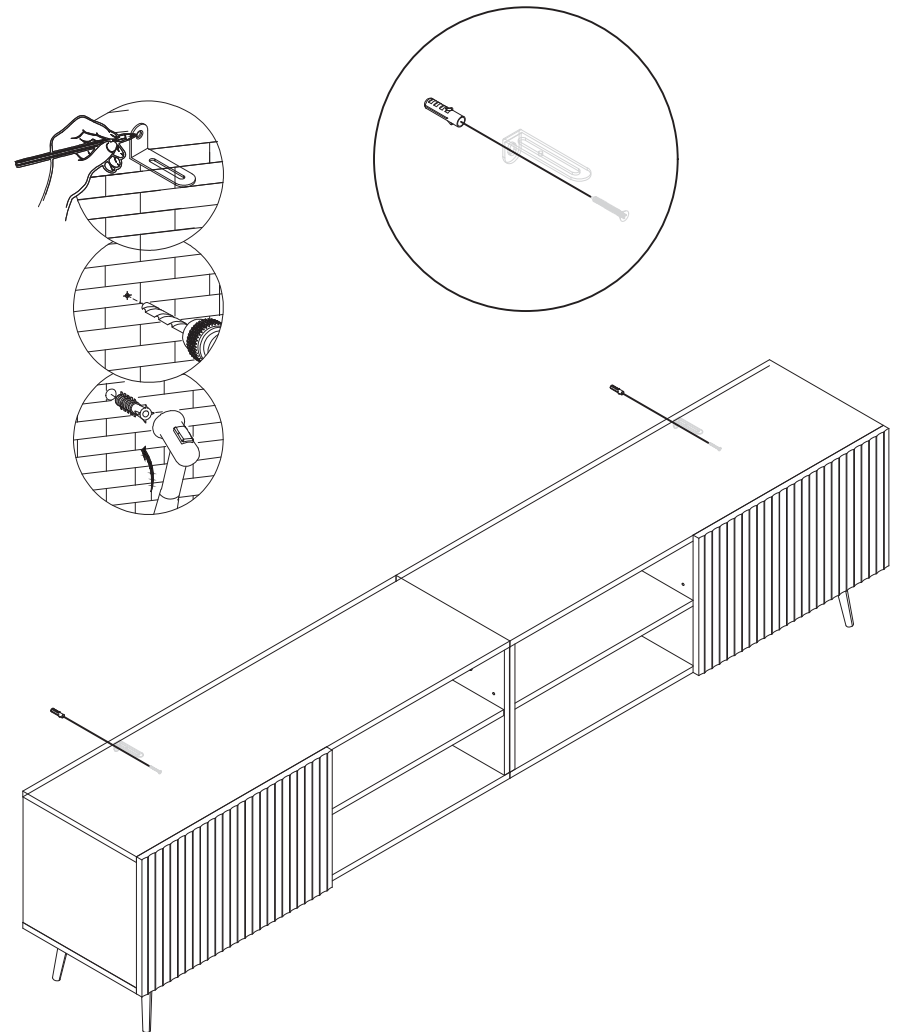
STEP 10

					
L	M3.5*14	20pcs	N	/	4set



STEP 11

		
O	/	2set



TRANSPORT AND INSTALLATION

1. The TV TABLE should be especially protected against rain, moisture and crushing by heavy objects during transportation, in order to avoid quality problems during use.
2. Please make sure that the TV TABLE has the safe access required for its entry before it enters your place of use.
3. Cabinets are mainly fixed installation, a few are dismantling TV TABLEs. When purchasing a cabinet, please give full consideration to the size of the door frame and the movable space of the entrance door. If necessary, ask a professional to disassemble the cabinet and reassemble it after entering the house, so that it will not damage the TV TABLE's internal structure, seating sensation and surface effect.

CAVEAT

Please read all instructions before use.

If in any doubt about safety, contact a specialized technician for inspection. When using this product, basic safety precautions must be observed to avoid the risk of injury to persons, including the following.

1. Do not use this product in high humidity environments.
2. Do not store or use this product outdoors or in direct sunlight.
3. Someone must be present to watch over children, disabled people or people with reduced mobility when they are near or using the TV TABLE.