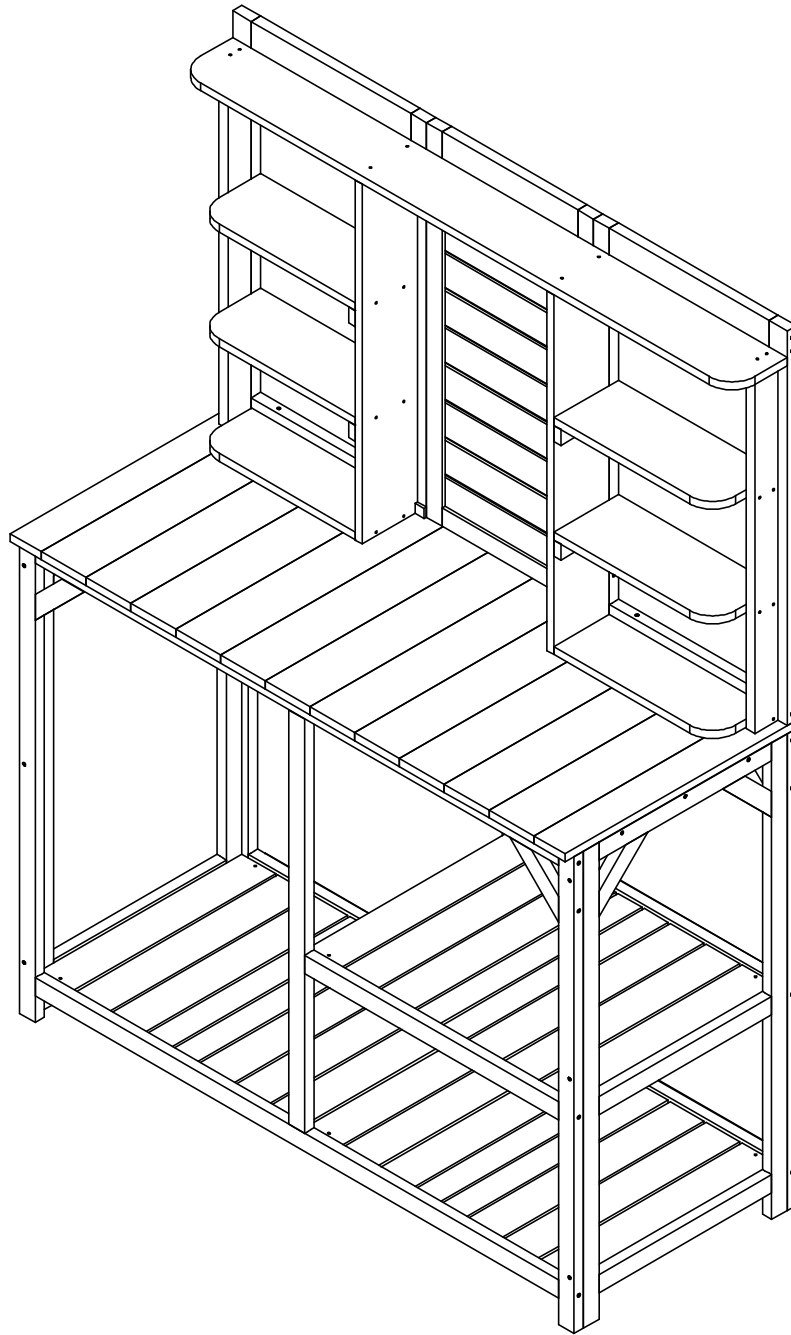


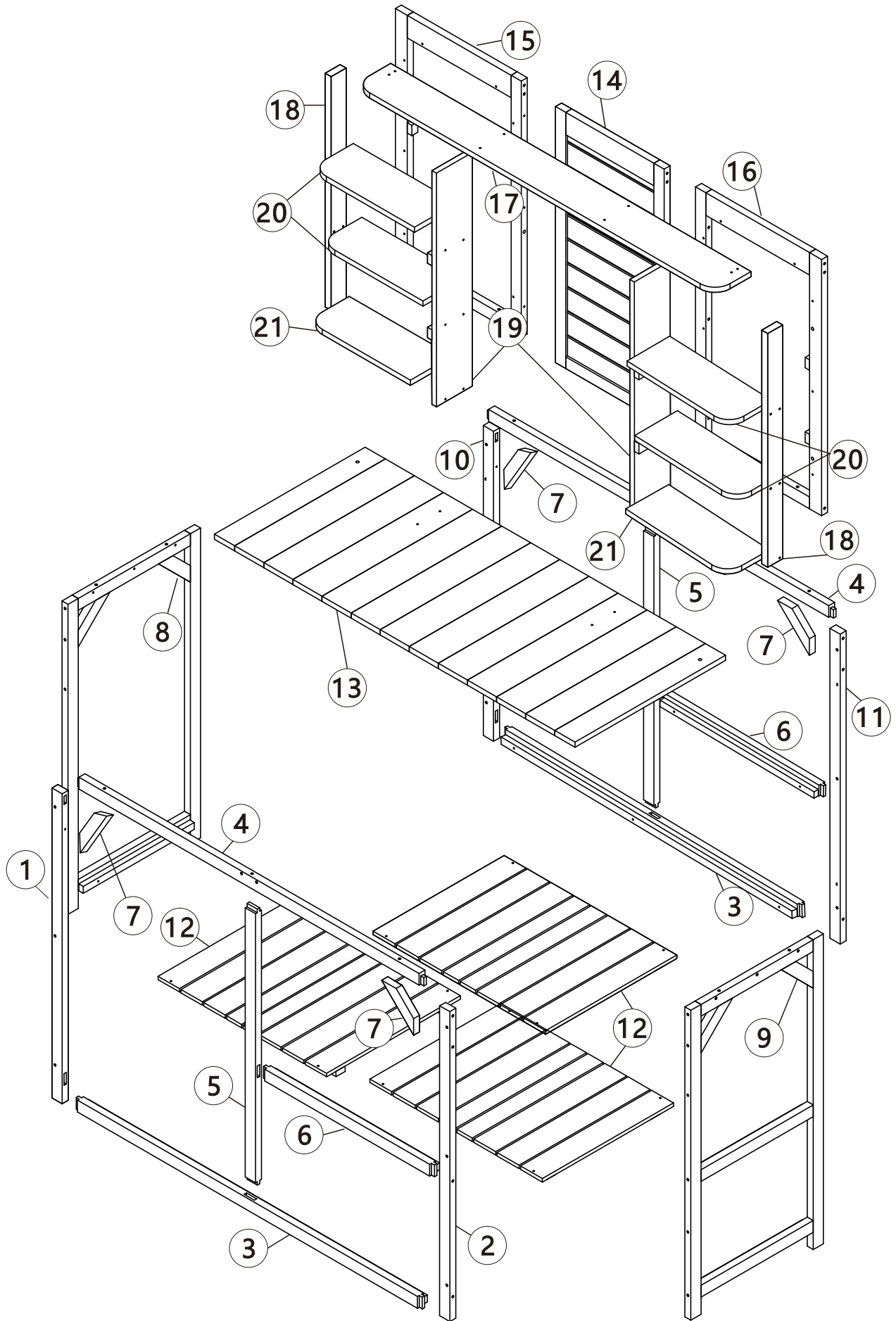
# ASSEMBLY INSTRUCTIONS

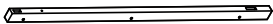

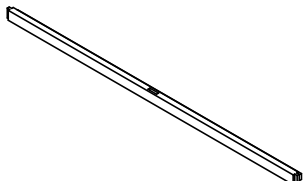
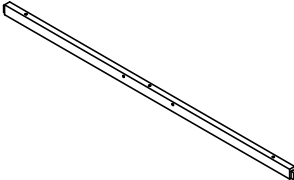
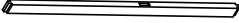
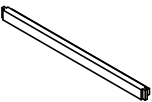
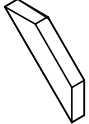
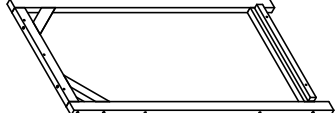
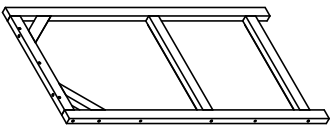
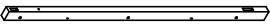
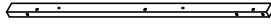
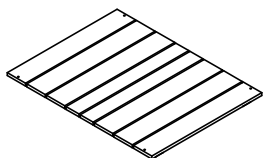
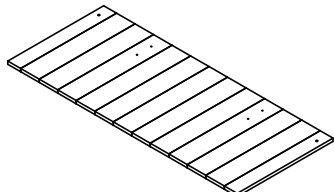
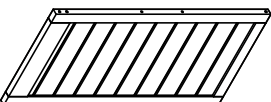
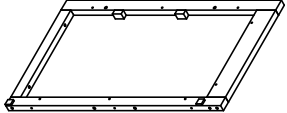
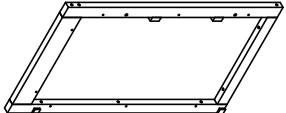
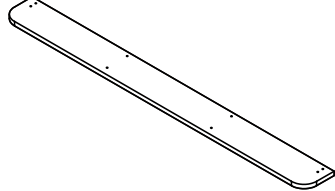
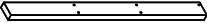
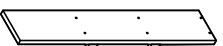
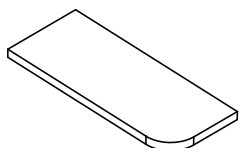
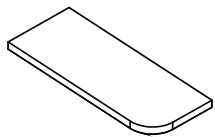


## IMPORTANT NOTE :









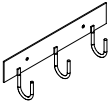
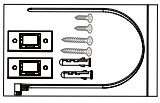
- ① PLACE ALL PARTS ON A CLEAN AND SMOOTH SURFACE SUCH AS A RUG OR CARPET TO AVOID THE PARTS FROM BEING SCRATCHED.
- ② BEFORE YOU BEGIN, KINDLY FOLLOW THE ASSEMBLY INSTRUCTIONS STEP BY STEP.
- ③ DO NOT TIGHTEN ALL SCREWS AND BOLTS UNTIL THIS ITEM IS FULLY SET-UP.

# Detail View


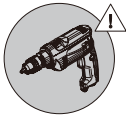


<p>1</p> 	<p>2</p> 	<p>3</p> 
<p>Left pillar of front frame 1pc</p>	<p>Right pillar of front frame 1pc</p>	<p>Lower slat of front&amp;back frame 2pcs</p>
<p>4</p> 	<p>5</p> 	<p>6</p> 
<p>Upper slat of front&amp;back frame 2pcs</p>	<p>Middle pillar of front frame 2pcs</p>	<p>Horizontal slat of front frame 2pcs</p>
<p>7</p> 	<p>8</p> 	<p>9</p> 
<p>Support of front frame 4pcs</p>	<p>Left panel 1pc</p>	<p>Right panel 1pc</p>
<p>10</p> 	<p>11</p> 	<p>12</p> 
<p>Left pillar of back frame 1pc</p>	<p>Right pillar of back frame 1pc</p>	<p>Shelves 3pcs</p>
<p>13</p> 	<p>14</p> 	<p>15</p> 
<p>Table top 1pc</p>	<p>Middle part of back panel 1pc</p>	<p>Left part of back panel 1pc</p>
<p>16</p> 	<p>17</p> 	<p>18</p> 
<p>Right part of back panel 1pc</p>	<p>Top part of storage rack 1pc</p>	<p>Side parts of storage rack 2pcs</p>
<p>19</p> 	<p>20</p> 	<p>21</p> 
<p>Middle parts of storage rack 2pcs</p>	<p>Shelves 4pcs</p>	<p>Bottom part of storage rack 2pcs</p>

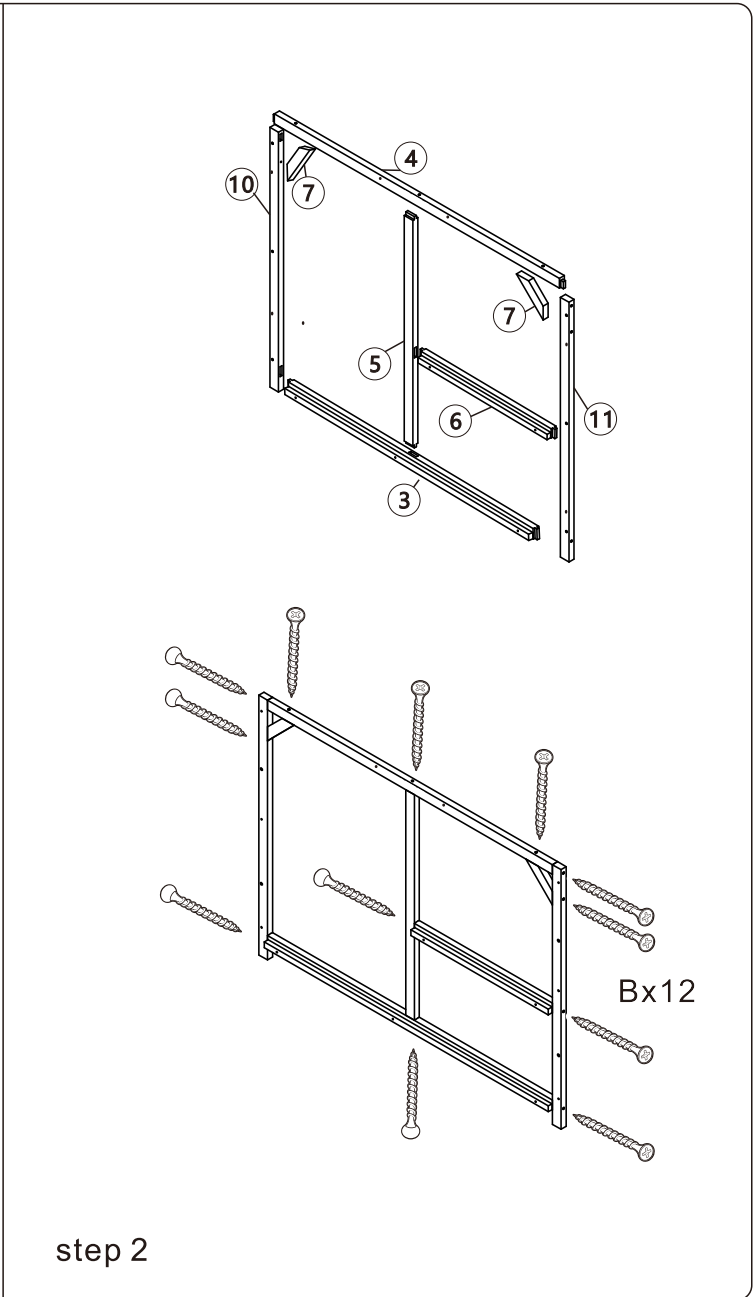
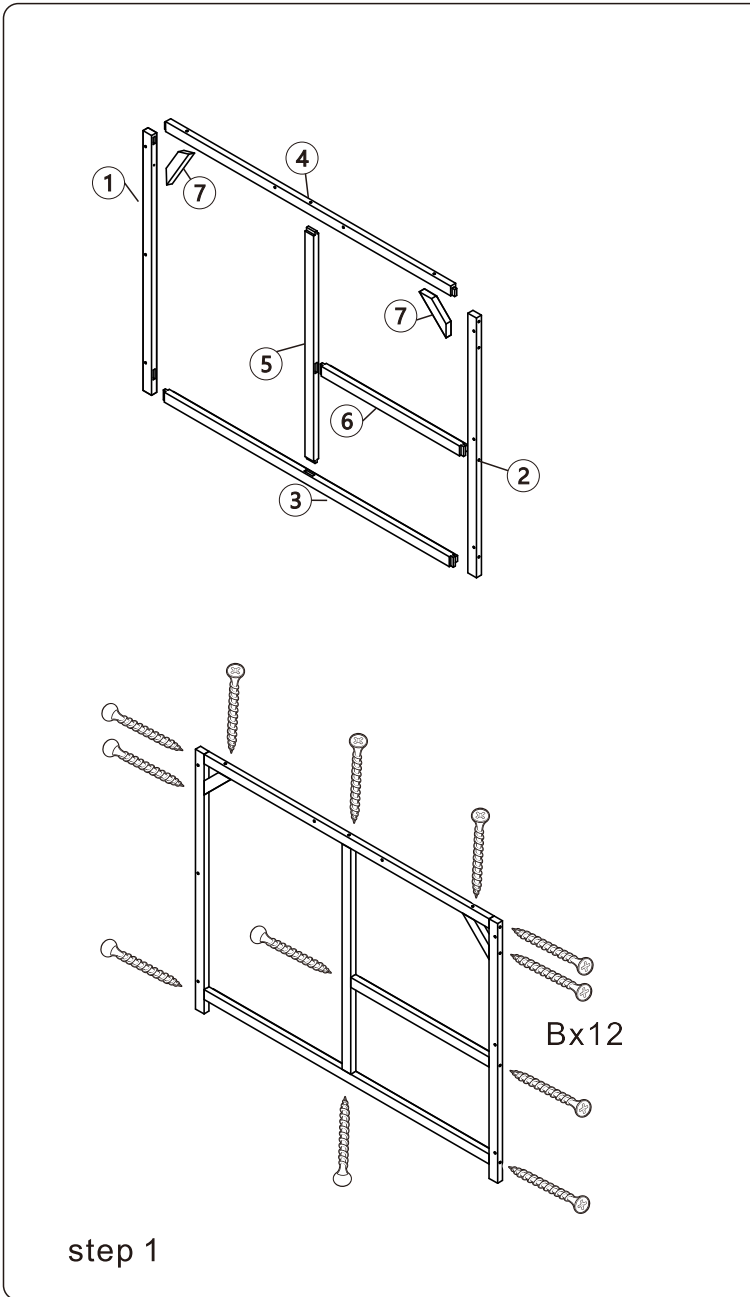
Hardware List

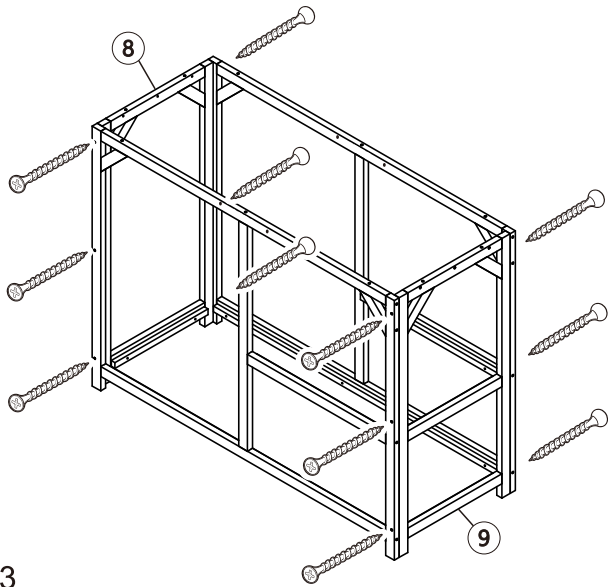
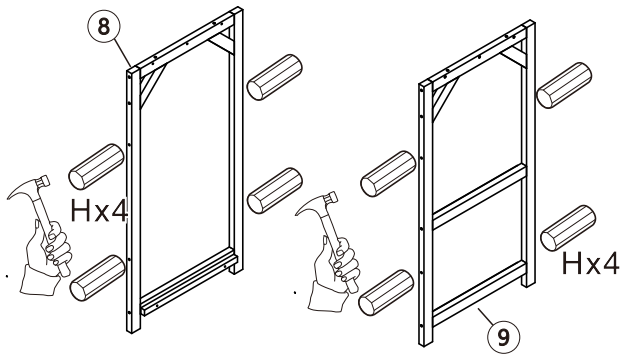
<p>A</p>  <p>3.5*40</p> <p>Ph zinc screws-28+1pcs</p>	<p>B</p>  <p>3.5*60</p> <p>Ph zinc screws-34+1pcs</p>	<p>C</p>  <p>3.0*38</p> <p>Ph zinc screws-20+1pcs</p>	<p>D</p>  <p>3.0*30</p> <p>Ph zinc screws-20+1pcs</p>
<p>E</p>  <p>3.0*25</p> <p>Ph zinc screws-16+1pcs</p>	<p>F</p>  <p>3.0*18</p> <p>Black screws-2+1pcs</p>	<p>G</p>  <p>M6*50</p> <p>Ph zinc bolt-2+1pcs</p>	<p>H</p>  <p>Dowel-16pcs</p>
<p>I</p>  <p>Black Hook-1pc</p>		 <p>Anti-topple over sets-2pcs</p>	

ASSEMBLY TOOLS REQUIRED( NOT INCLUDED)

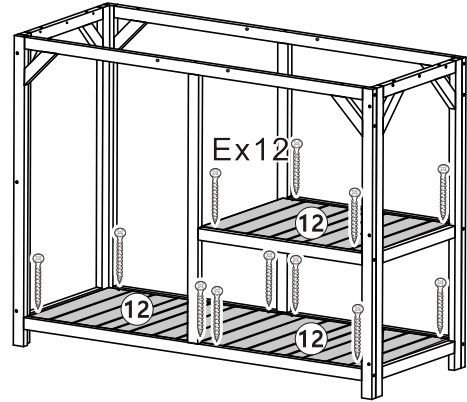
PLEASE BE CAREFUL DO NOT DAMAGE THE HOLE POSITION WHEN YOU USE POWERTOOLS !



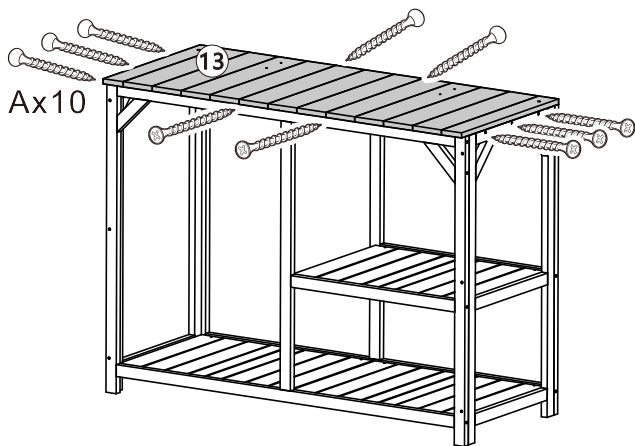


step 3

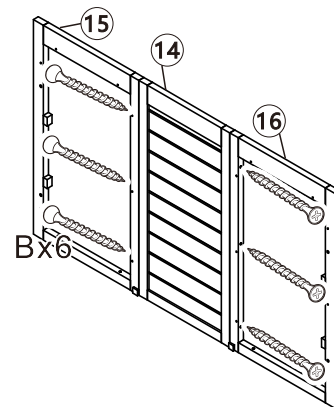
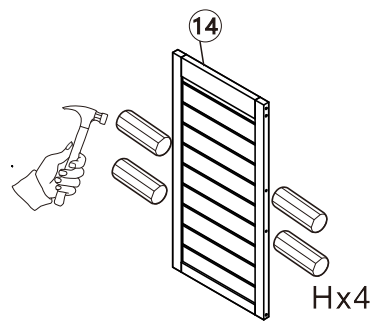
Ax12



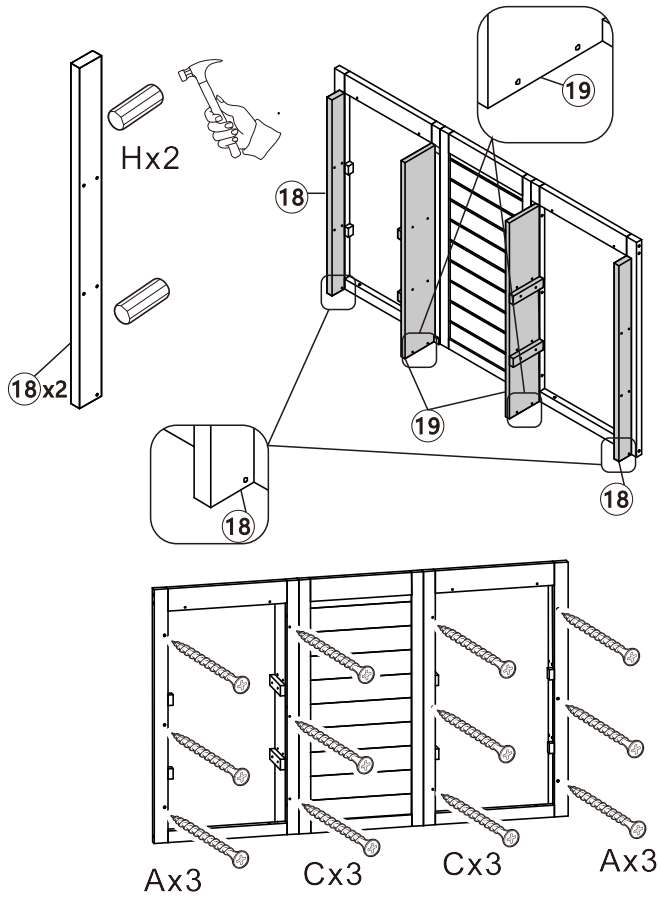
step 4



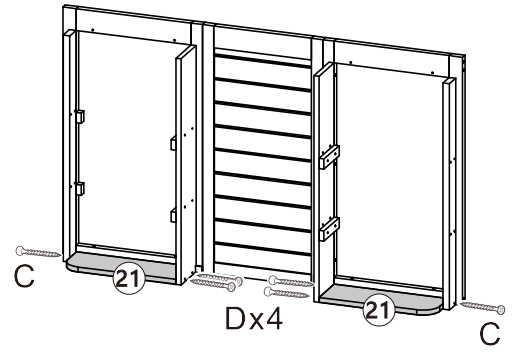
step 5



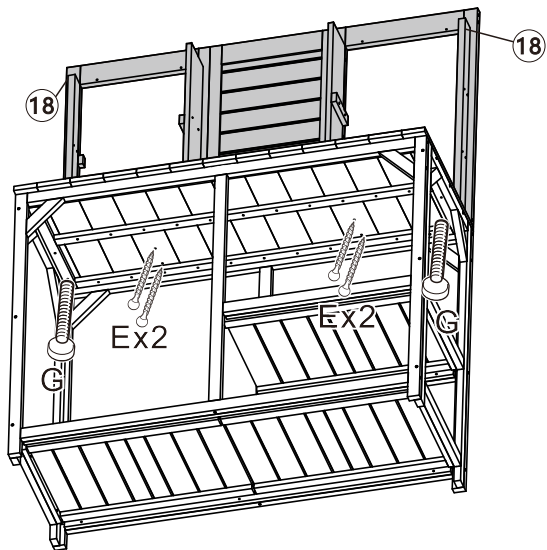
step 6



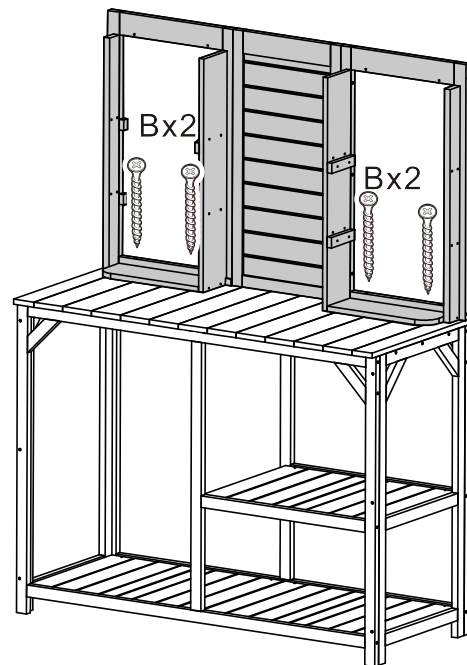
step 7



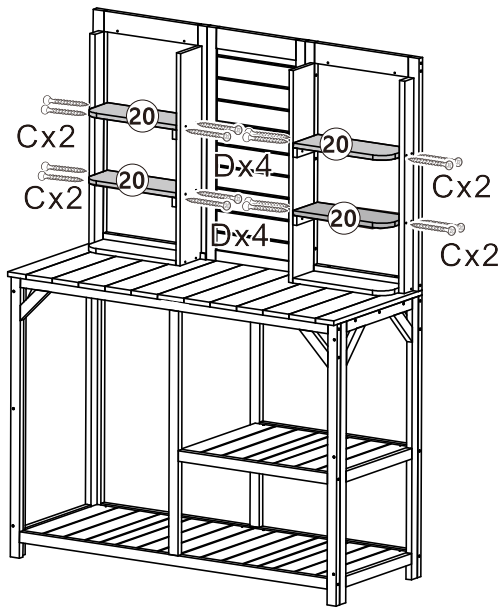
step 8



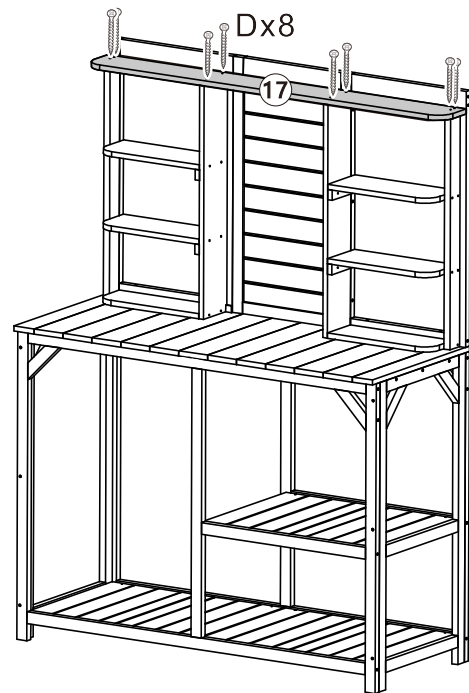
step 9



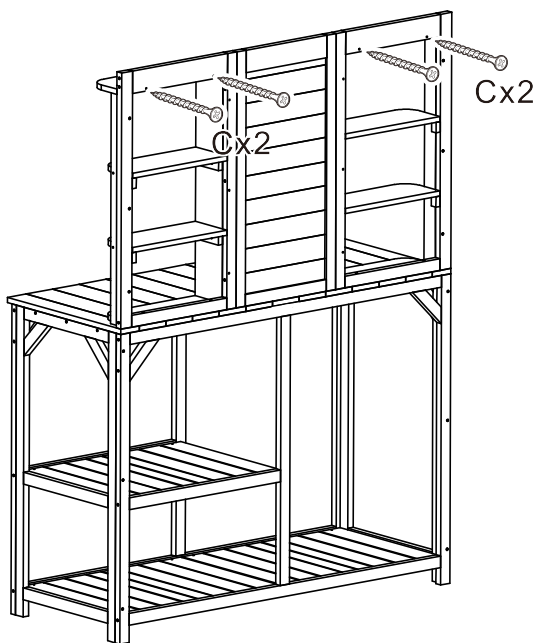
step 10



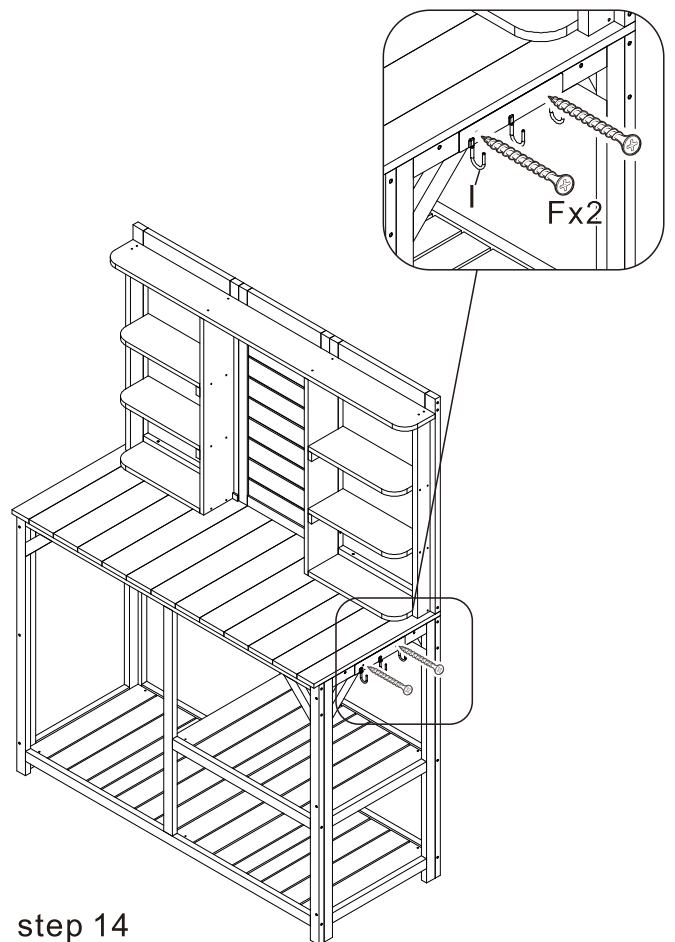
step 11



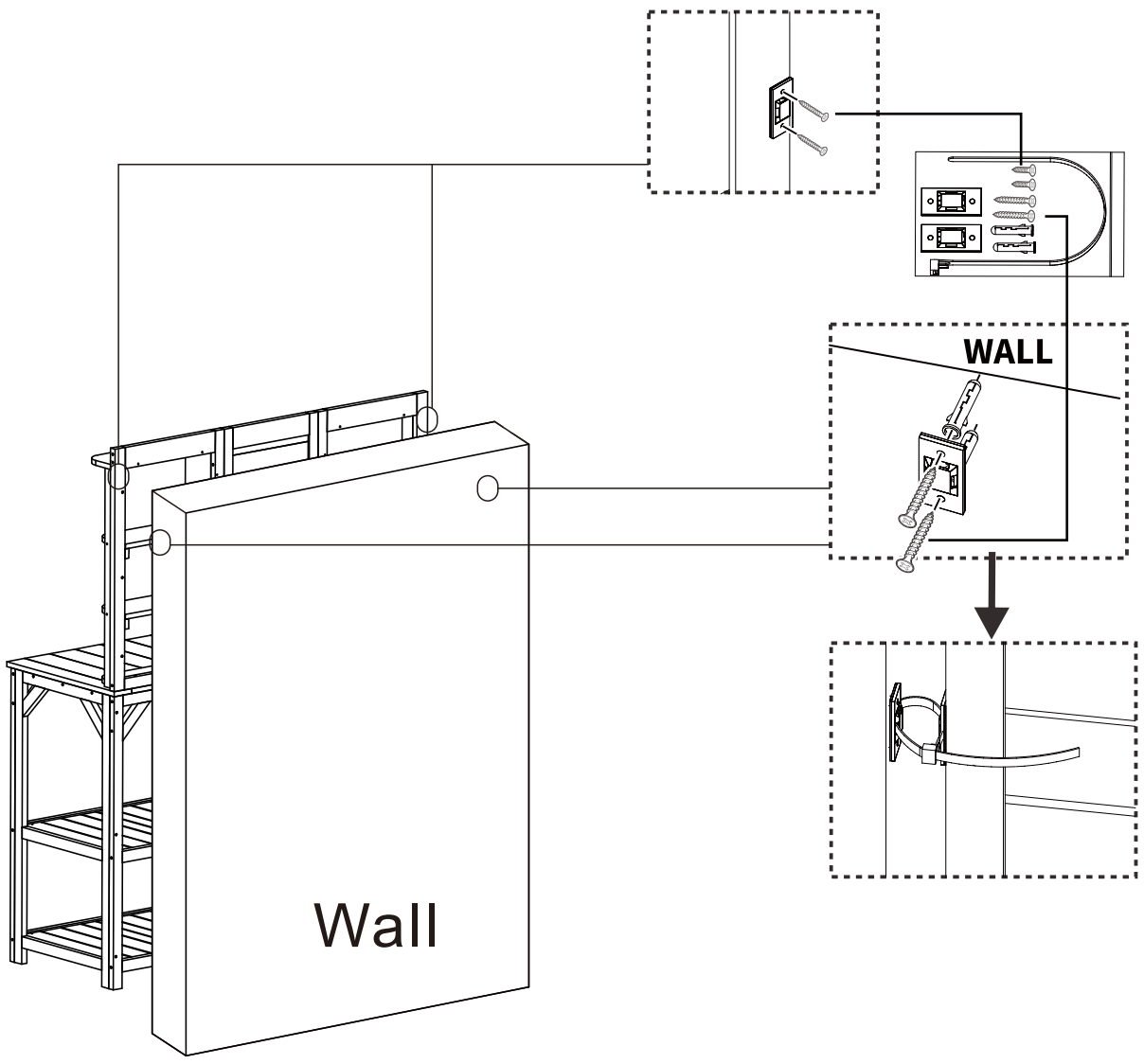
step 12



step 13



step 14



Wall

WALL