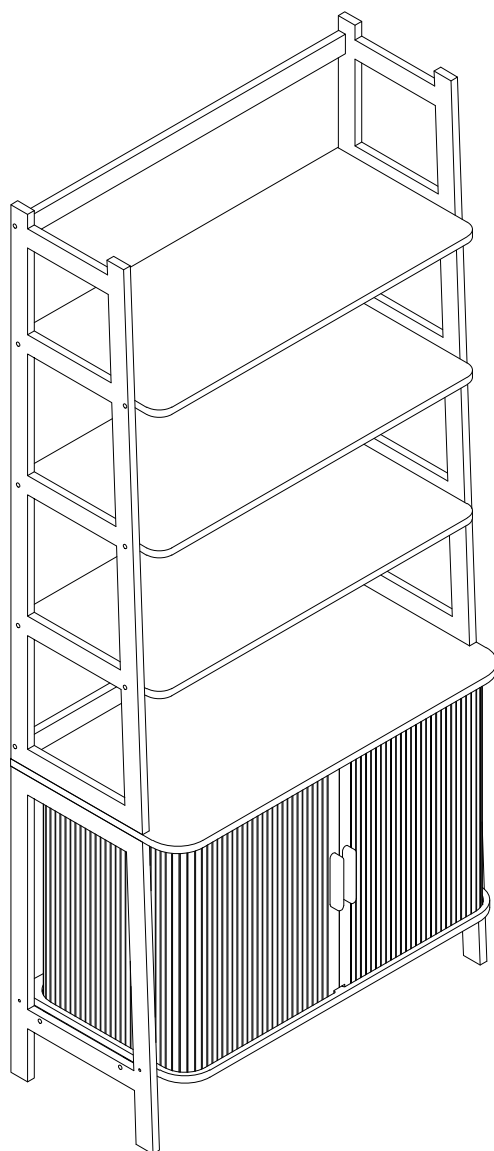


# Assembly Instructions

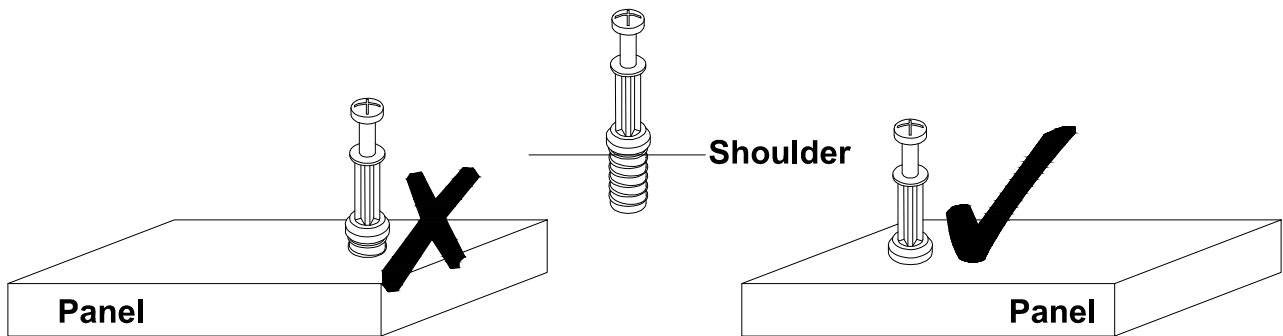


# Before Assembly

## Tips Before Your Start:

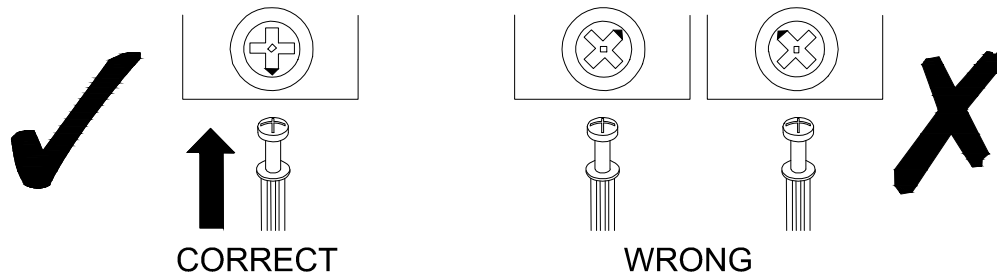
- Remove all wrapping material, including staples & packing straps before you start to assemble.
- DO NOT tighten all screws and bolts until the assembly is completely assembled.
- Keep all hardware parts out of reach of children.

## QUICKFIT



Tighten quickfit until shoulder is flush with panel. Do not overtighten or undertighten.

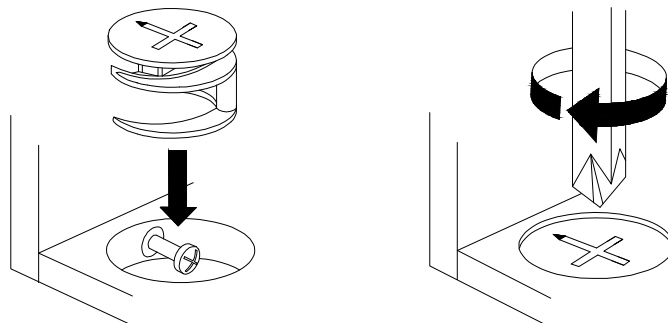
## CAM LOCK



When fitting a cam lock, ensure the starting position is correct before inserting the connecting QUI CKFIT

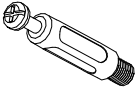


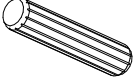

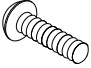
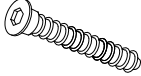
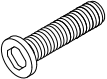

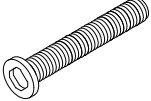
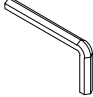

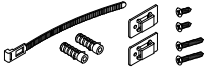
Quickfit head should be in the centre of the cam lock when the two panels are joined.

Cam lock should be inserted before quickfit.

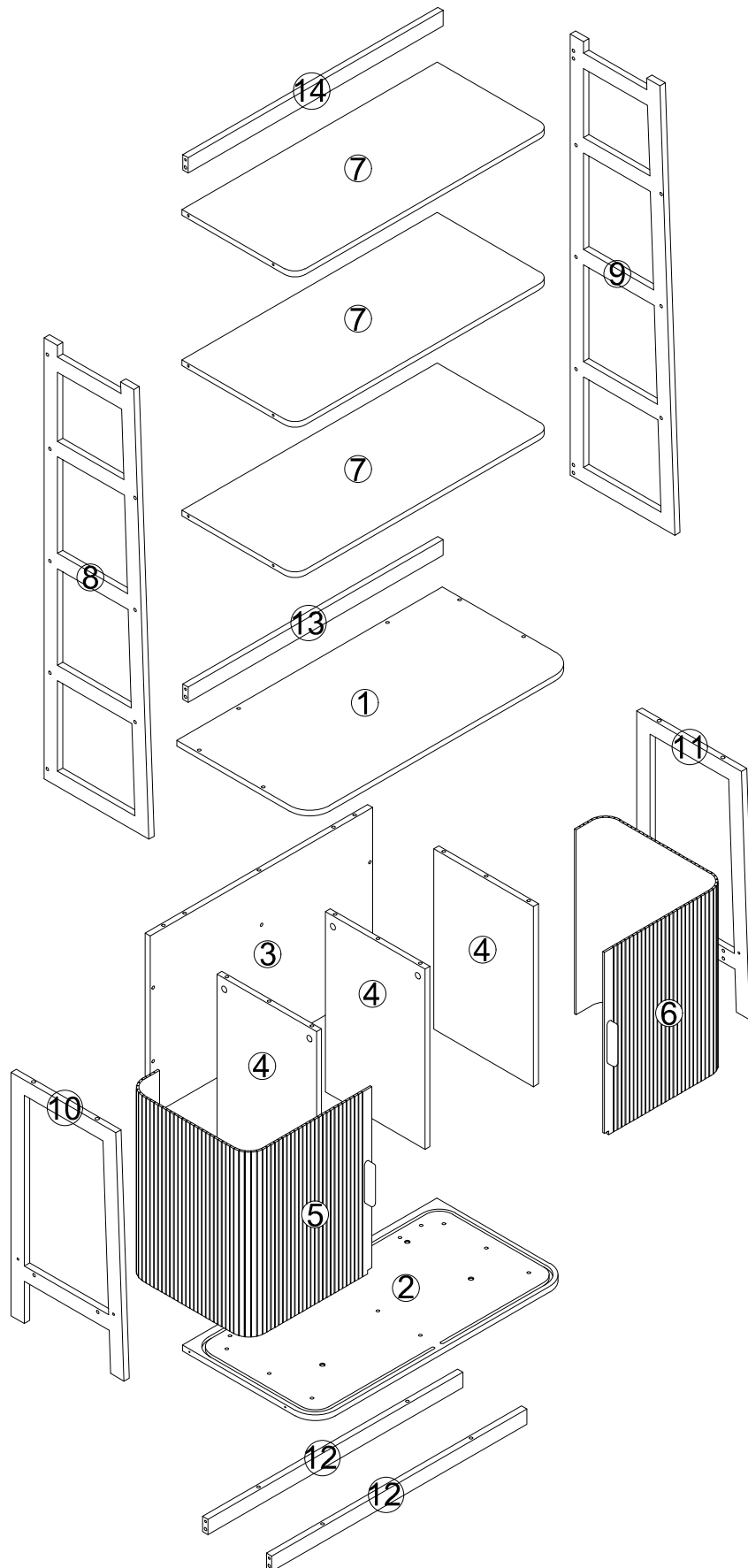


Turn cam lock clockwise to tighten.

# Part List

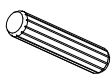
<p><b>No. A</b> Quantity:9 Pcs Cam Lock Dowel 8*28mm</p> 	<p><b>No. B</b> Quantity:9 Pcs Cam φ15</p> 	<p><b>No. C</b> Quantity:9Pcs Sticker Ø20</p> 	<p><b>No. D</b> Quantity:18 Pcs Dowel 8*30mm</p> 
<p><b>No. E</b> Quantity:2 Pcs Handle 110*20mm</p> 	<p><b>No. F</b> Quantity:4 Pcs Screw M4*10mm</p> 	<p><b>No. G</b> Quantity:35 Pcs Screw M6*40mm</p> 	<p><b>No. H</b> Quantity:6 Pcs Screw M6*35mm</p> 
<p><b>No. I</b> Quantity:4 Pcs Foot Pad Ø15</p> 	<p><b>No. J</b> Quantity:4 Pcs Screw M6*60mm</p> 	<p><b>No. K</b> Quantity:1 Pcs Allen Key 4#</p> 	<p><b>No. L</b> Quantity:4 Pcs Screw M4*25mm</p> 
<p><b>No. M</b> Quantity:1 Sets Anti-falling Parts</p> 			

# Product structure



# STEP 1

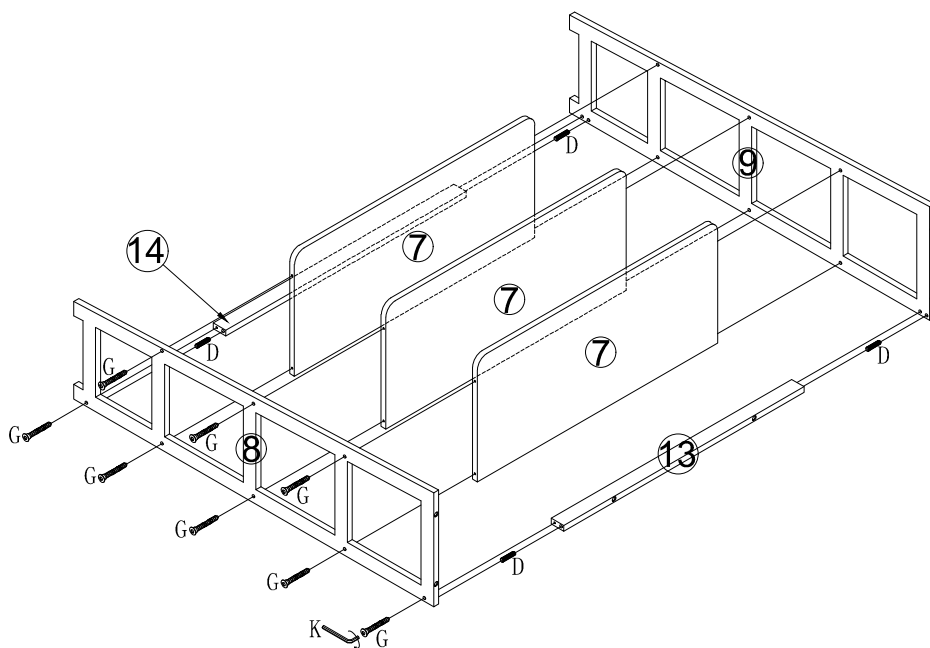
No. D  
Quantity: 4 Pcs  
8\*30mm



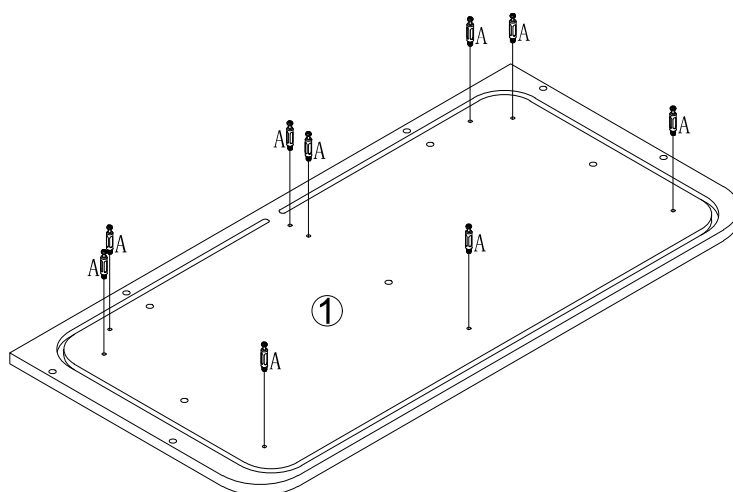
No. G  
Quantity: 16 Pcs  
M6\*40mm



No. K  
Quantity: 1 Pcs  
4#



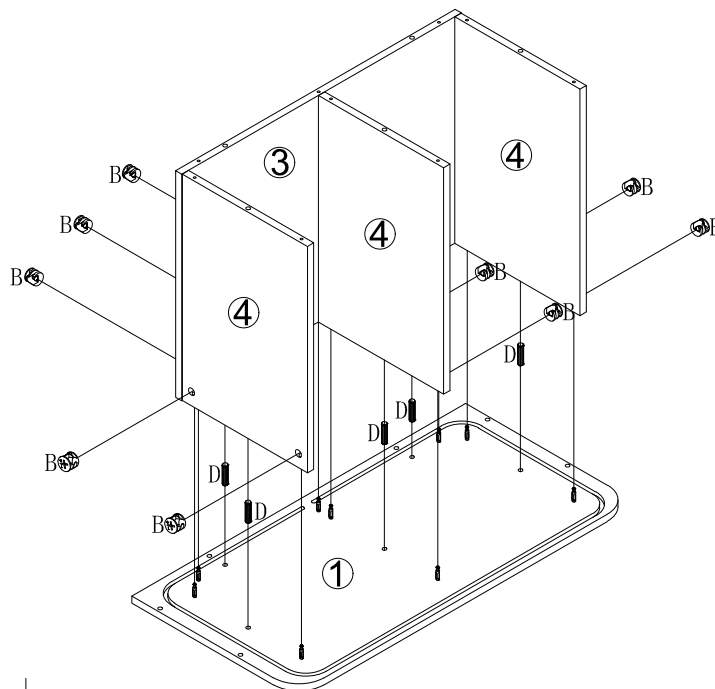
# STEP 2



No. A  
Quantity: 9 Pcs  
8\*28 mm



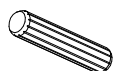
# STEP 3



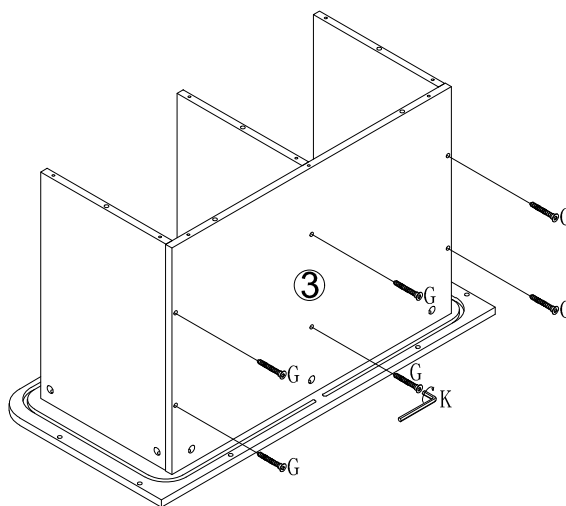
No. B  
Quantity: 9 Pcs  
Ø15



No. D  
Quantity: 5 Pcs  
8\*30mm



# STEP 4



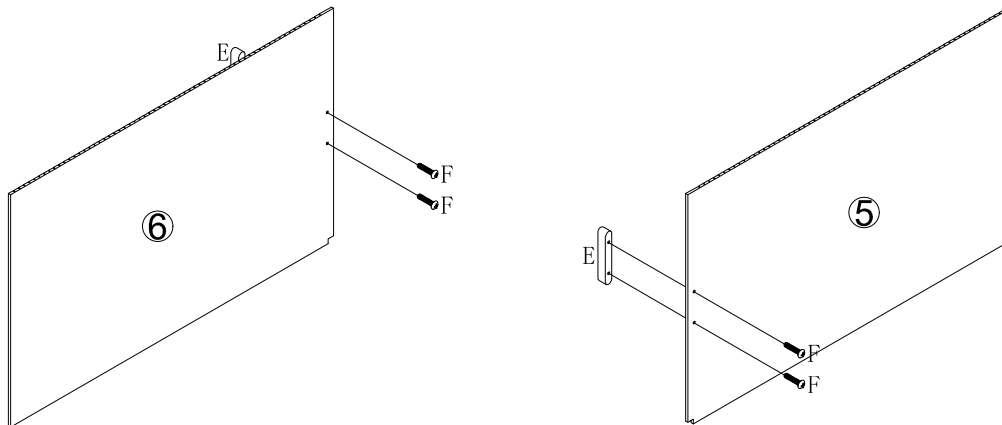
No. G  
Quantity: 6 Pcs  
M6\*40mm



No. K  
Quantity: 1 Pcs  
4#



## STEP 5



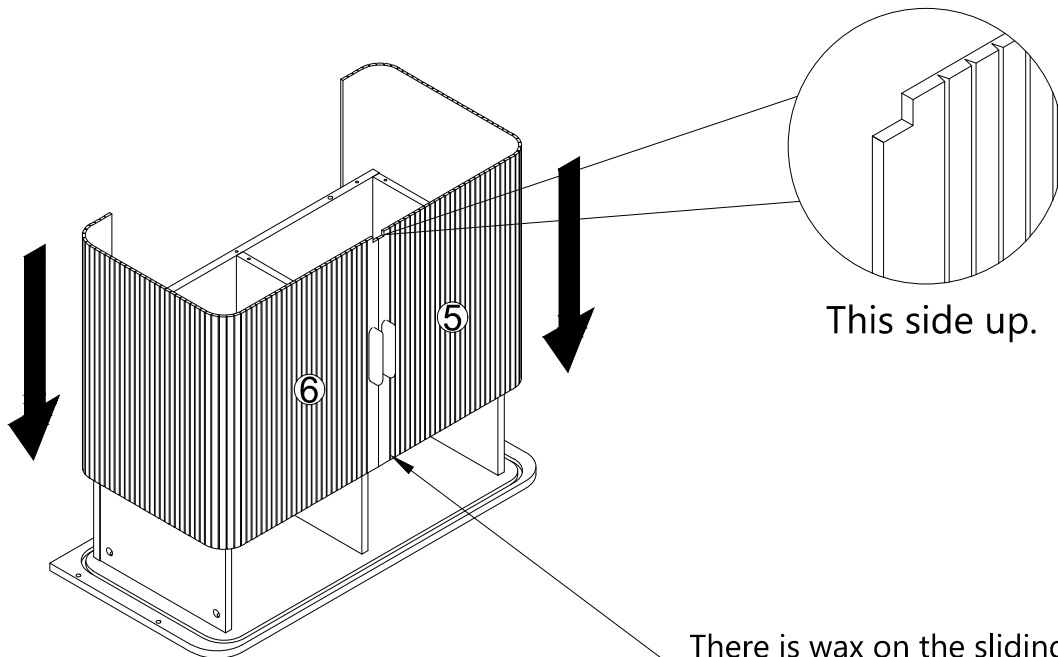
No. E  
Quantity: 2 Pcs  
110\*20mm



No. F  
Quantity: 4 Pcs  
M4\*10mm



## STEP 6

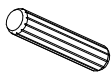


This side up.

There is wax on the sliding door, and it needs to be pushed and rubbed back and forth before use, so that the wax is evenly attached to the board.

# STEP 7

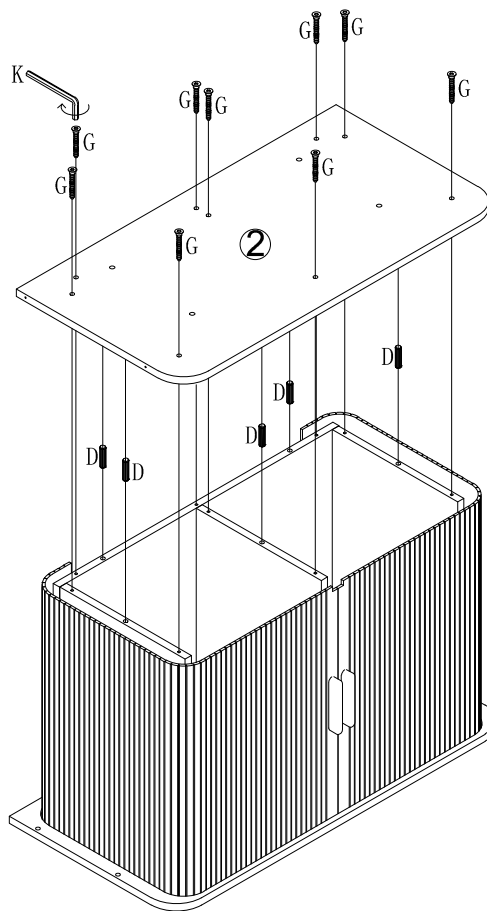
No. D  
Quantity: 5 Pcs  
8\*30mm



No. G  
Quantity: 9 Pcs  
M6\*40mm

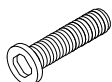


No. K  
Quantity: 1 Pcs  
4#

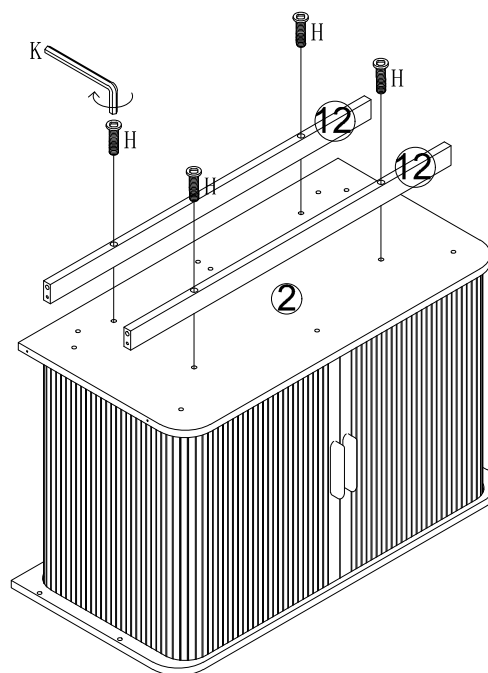


# STEP 8

No. H  
Quantity: 4 Pcs  
M6\*35mm



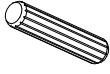
No. K  
Quantity: 1 Pcs  
4#



## STEP 9

No. D

Quantity: 4 Pcs  
8\*30mm



No. G

Quantity: 4 Pcs  
M6\*40mm



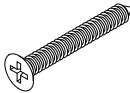
No. K

Quantity: 1 Pcs  
4#

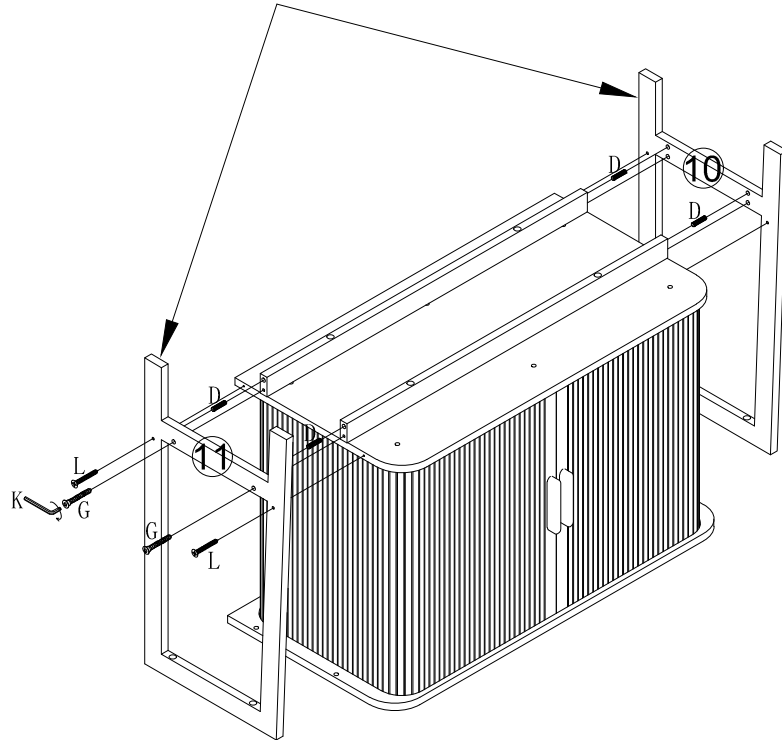


No. L

Quantity: 4 Pcs  
M4\*25mm



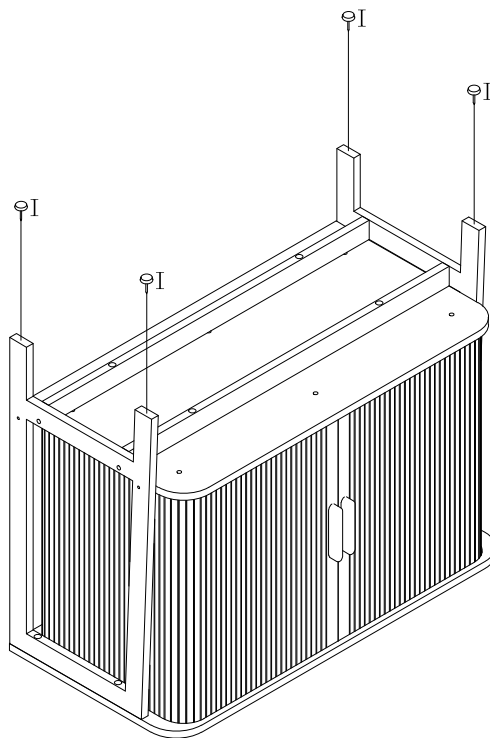
Pay attention to the front and back direction when installing.



## STEP 10

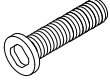
No. I

Quantity: 4 Pcs  
Ø15

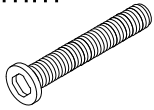


# STEP 11

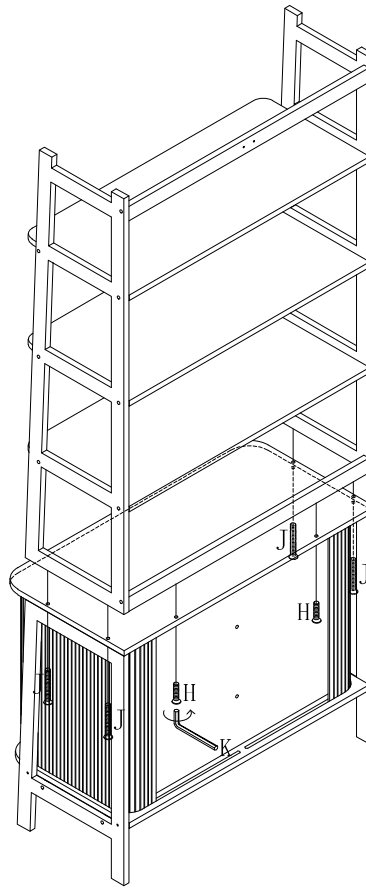
No. H  
Quantity: 2 Pcs  
M6\*35mm



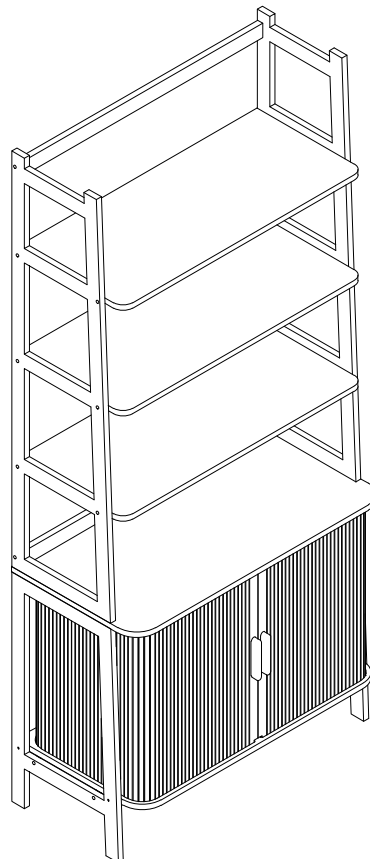
No. J  
Quantity: 4 Pcs  
M6\*60mm



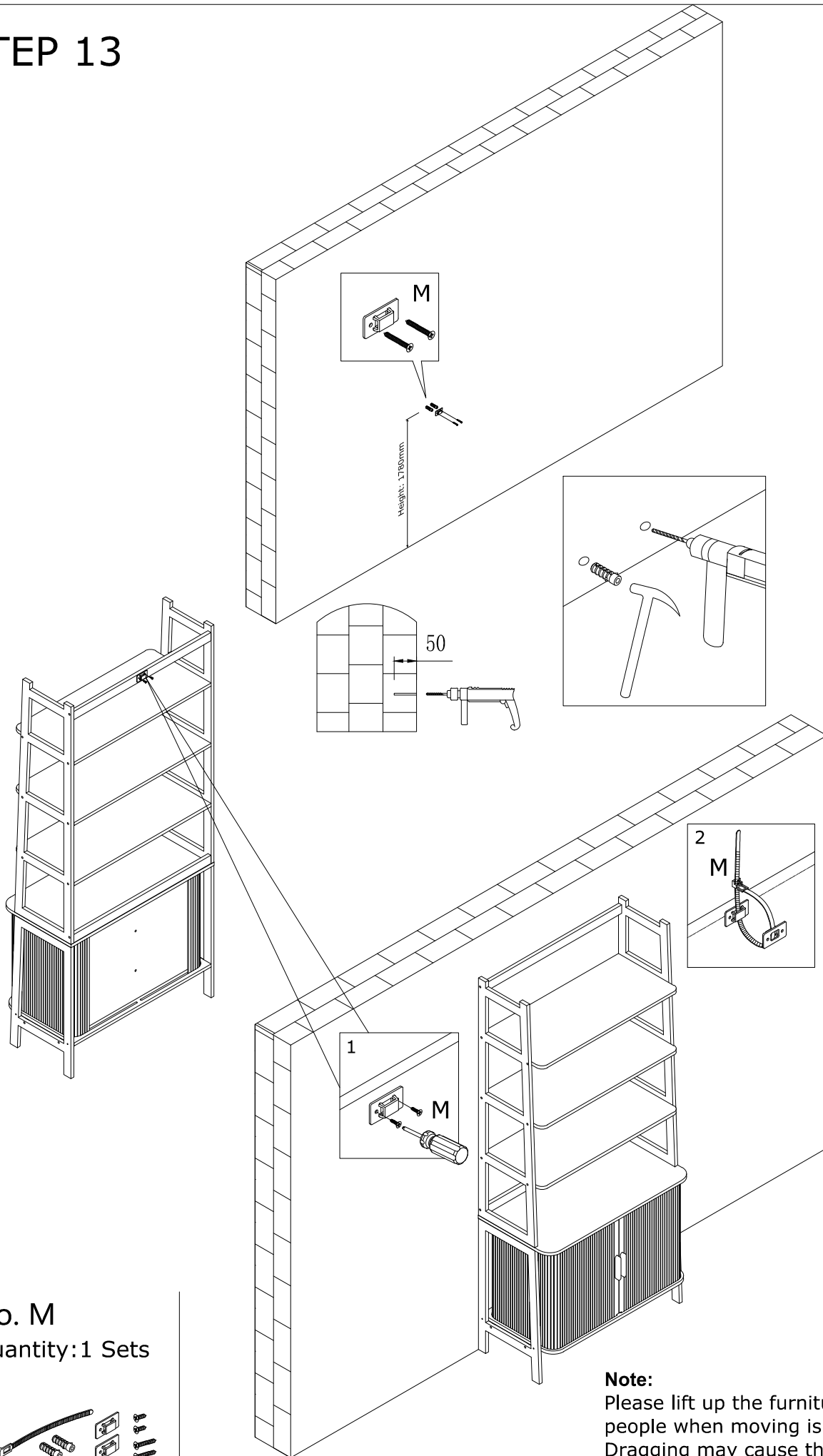
No. K  
Quantity: 1 Pcs  
4#



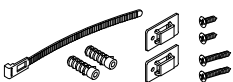
# STEP 12



# STEP 13



No. M  
Quantity: 1 Sets



**Note:**  
Please lift up the furniture by two people when moving is needed.  
Dragging may cause the legs failure.