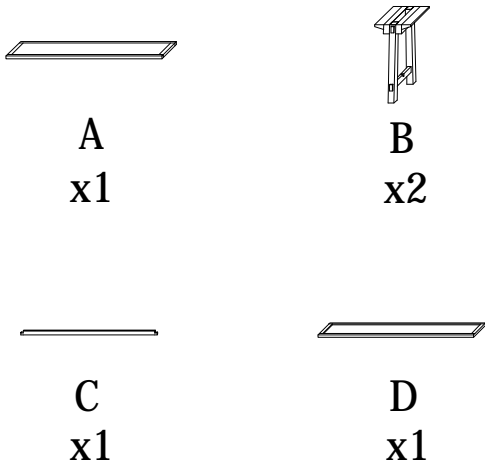








# ASSEMBLY INSTRUCTIONS

## Console Table

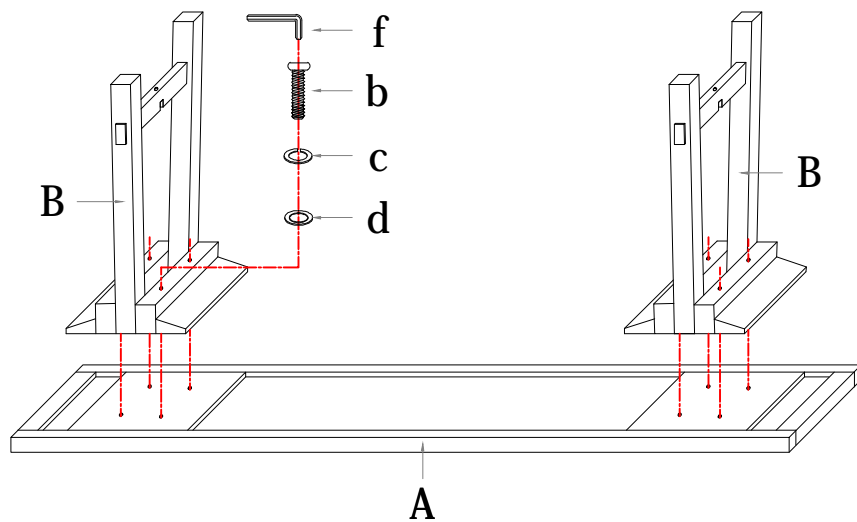
### Components



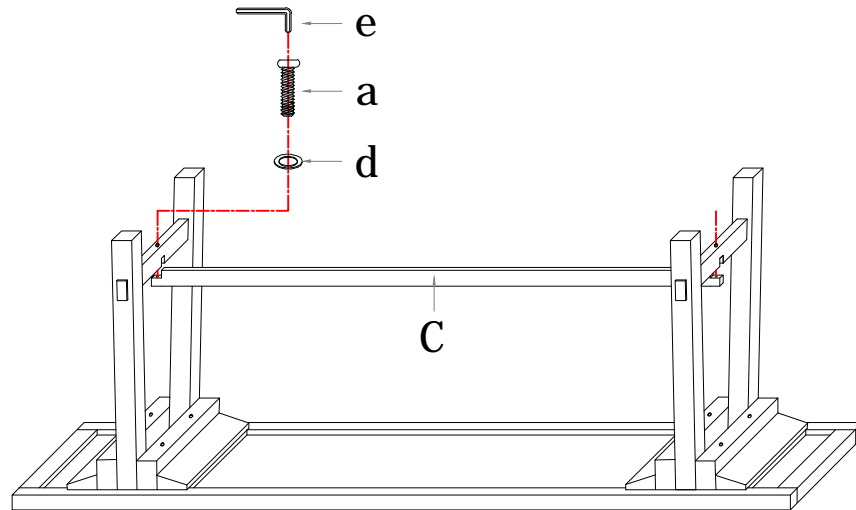
Hardware List				
a		Bolt	M6*40mm	9
b		Bolt	M8*60mm	8
c		Spring Washer	φ8*12mm	8
d		Flat Washer	φ8*16mm	17
e		Allen Key	5#	1
f		Allen Key	6#	1

### Assembly Instructions

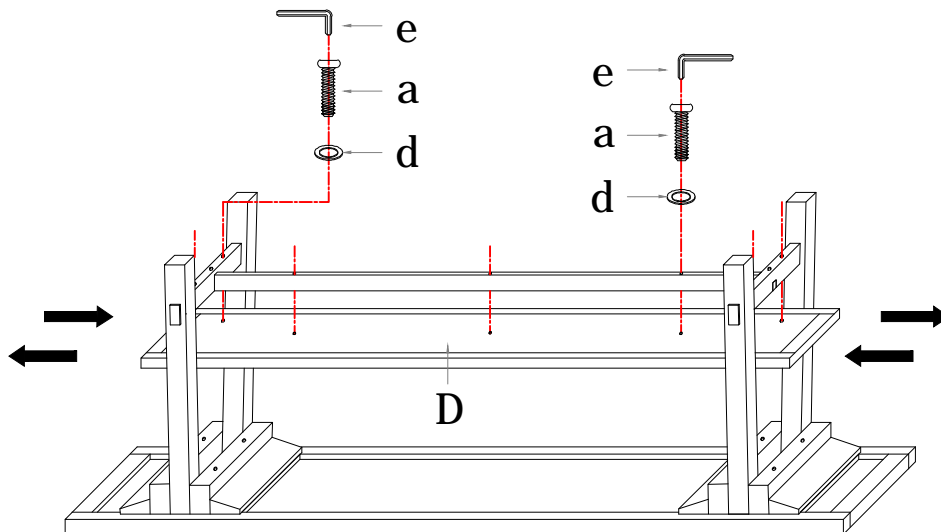
#### Step 1



Step 2



Step 3



Step 4

