

V962-332 Shower panel installation and Operation Guide

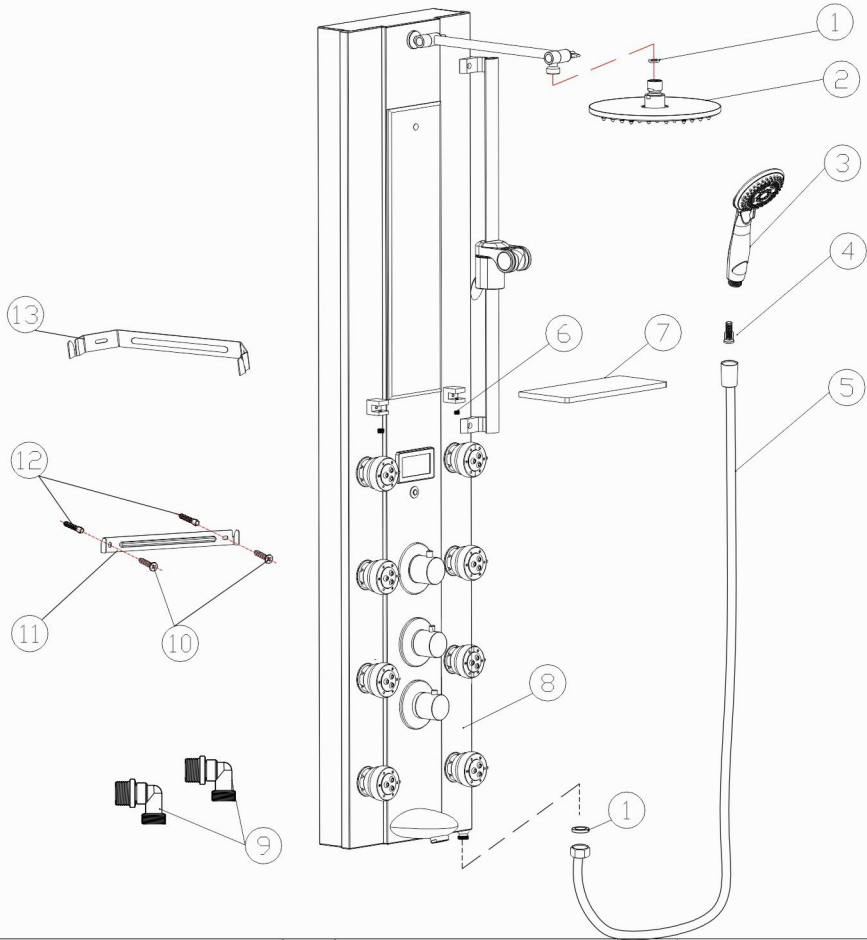
Caution:

Before connecting the shower panel , please flush out the debris inside the hot and cold water pipe . Installation without flushing out the debris might reduce water pressure , and cause damage and clogging to the hose and pipe.



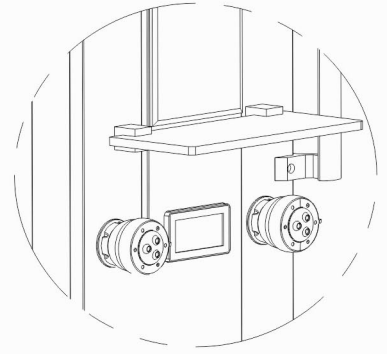
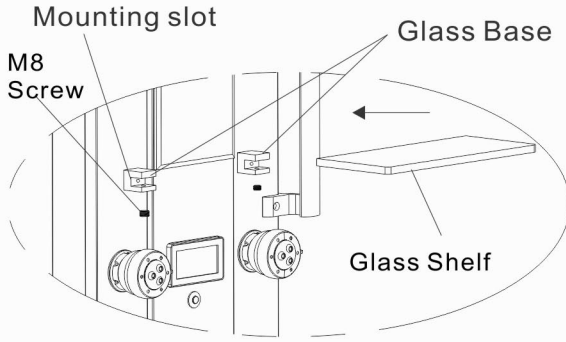
1.Part list

V962-332



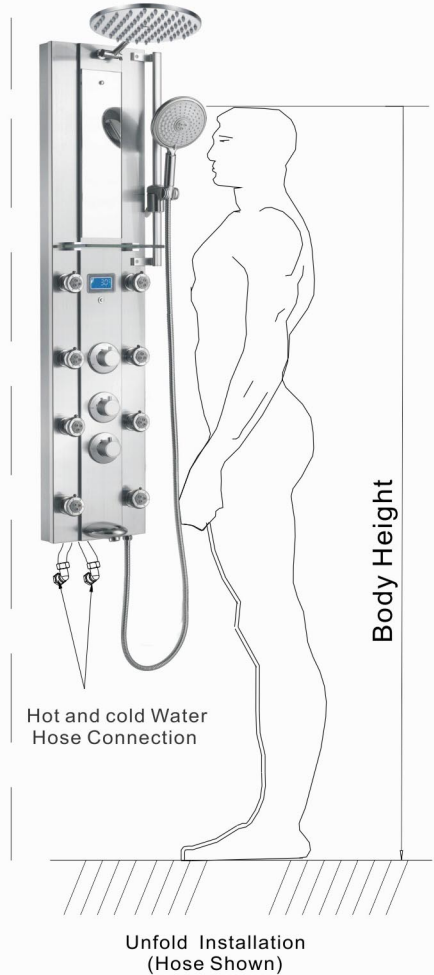
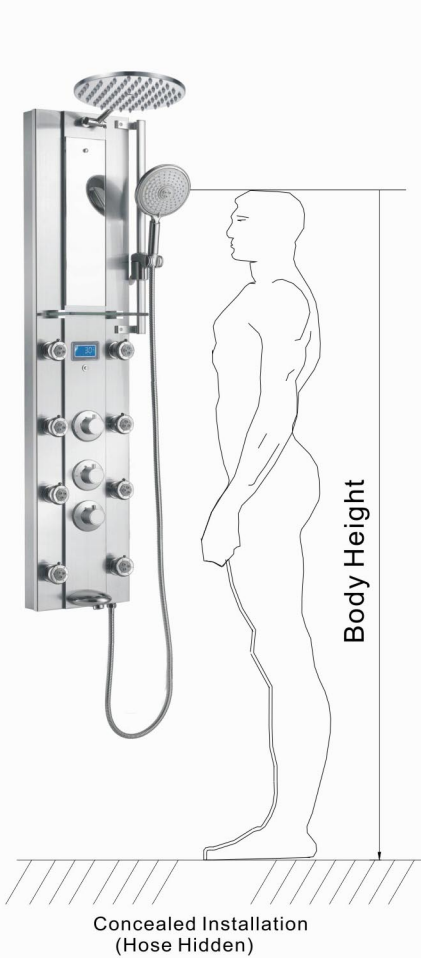
①	Rubber washer	⑥	M8 Screw	⑪	Mounting Bracket (for flat wall)
②	K05 Rainfall shower head	⑦	Glass Shelf	⑫	Plastic Expand Plug
③	332 Handheld Shower Head	⑧	Shower Panel Body	⑬	Mounting Bracket (for corner)
④	Shower head filter	⑨	Brass Elbow (Optional part)		
⑤	Shower head hose	⑩	M4 Screws X 2		

2. Install Glass shelf



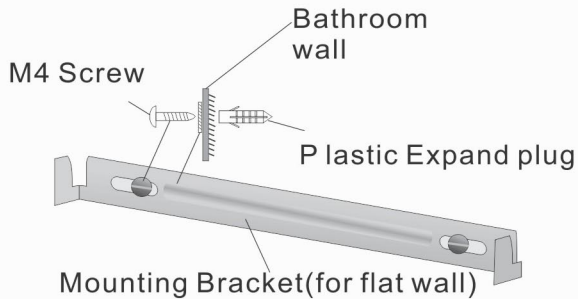
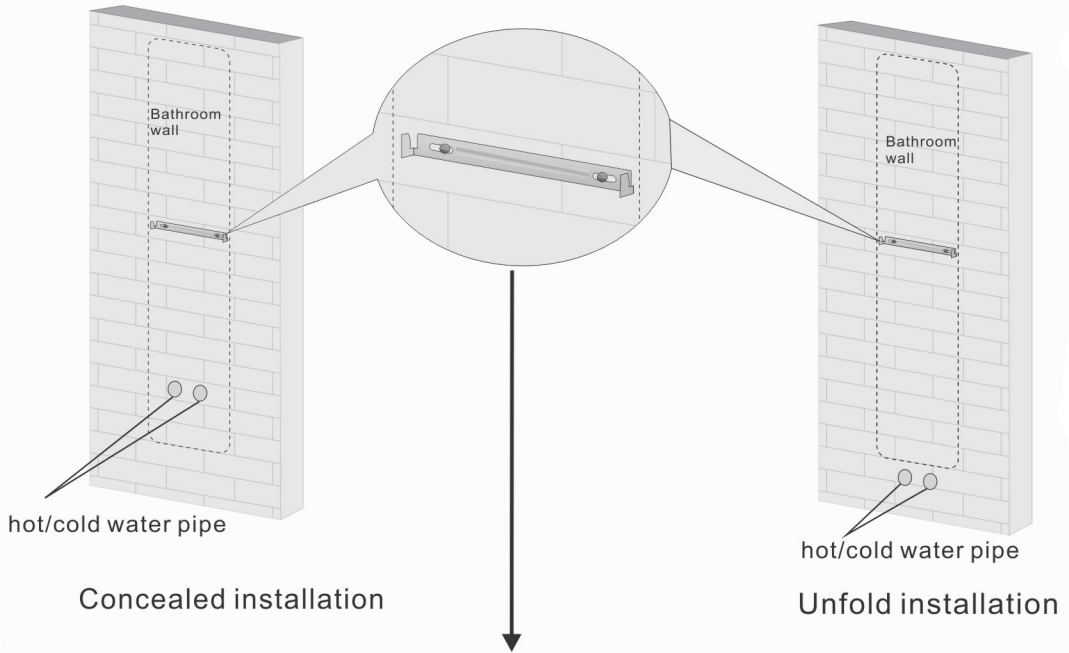
After Installation

3. Based on the height of the user(s) and location of the hot/cold pipe inlet, select concealed or unfold installation. (see picture below)

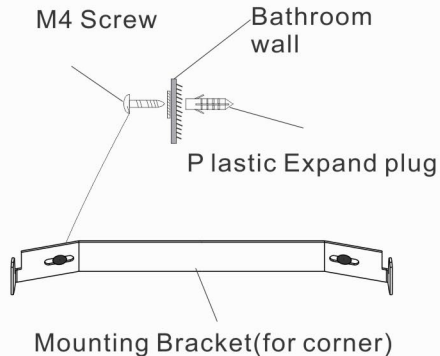
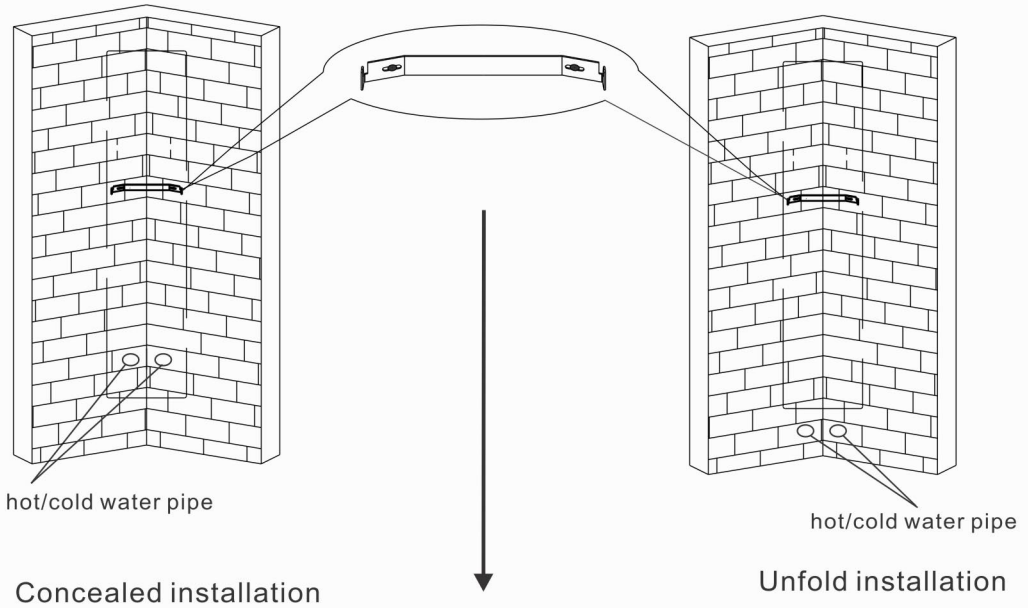


4. Installation Method

Flat wall installation:(1)Based on the height of the user and the hot/cold water pipe location , decide the method of installation.(2)Use the mounting bracket to drill two 6MM hole onto the wall.(3)Put in the plastic expand plug ,and use screw to secure the mounting bracket tightly on to the wall. In order to support the shower panel, Screw should be applied on wood stud and not just on the drywall or tile.

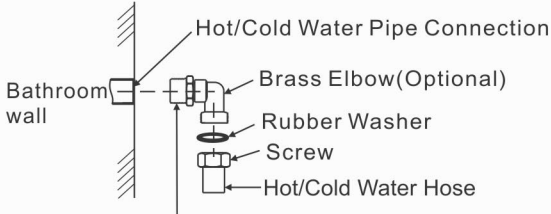


Corner installation : (1)Based on the height of the user and the hot/cold water pipe location ,decide the method of installation.(2)Use the mounting bracket to drill two 6MM hole onto the wall.(3)Put in the plastic expand plug ,and use screw to secure the mounting bracket tightly on to the wall. In order to support the weight of the shower panel, Screw should be applied onto wood stud and not just on the drywall or tile.



5. Connection and Hanging of shower panel Body

Before connecting, please switch on water supply to flush out the debris (i.e. rust and small particle) inside the water pipe. Failure to do so might cause hoses to be clogged. To install, use Teflon Tape to wrap around the fitting of the water pipe, insert a rubber washer with mesh onto the hoses, and simply connect the 1/2" hoses with a 1/2" pipe fitting. After connection is done, switch on the water to make sure no leaking occurs. To mount the shower panel, screw the mounting bracket onto the wall, and simply mount the shower panel onto the mounting bracket. When screwing the mounting bracket, please make sure that it is being screwed on a wood stud behind the wall to provide sufficient strength to hold the shower panel. (See Picture Below)

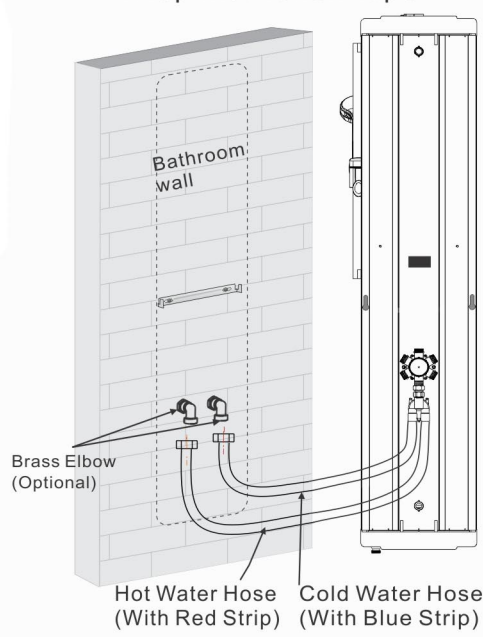


Wrap with Teflon Tape

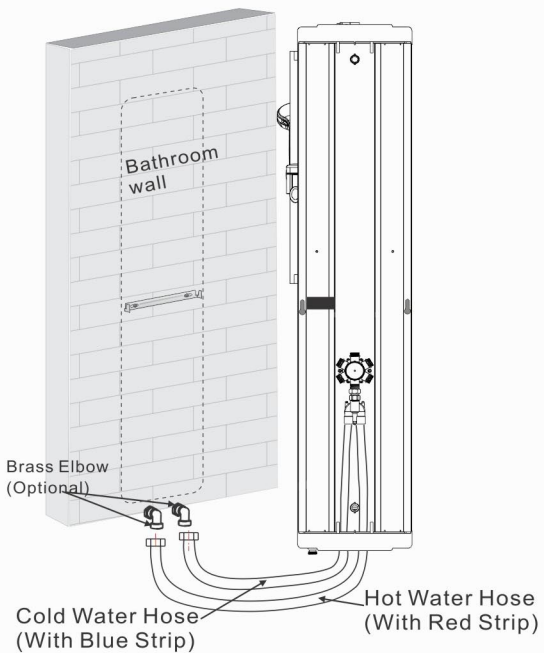
the bent pipe can be turned 360 °



Brass Elbow(Optional)

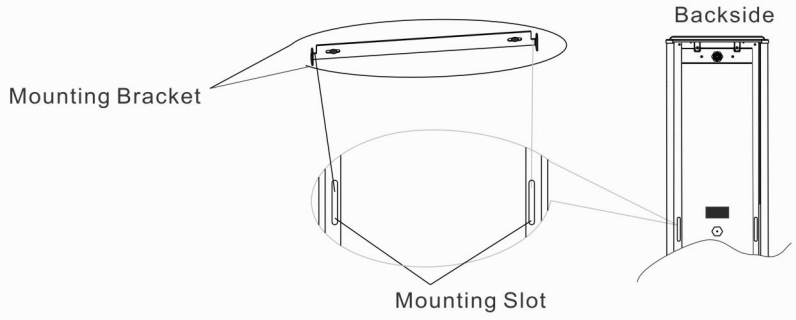


Concealed installation



Unfold installation

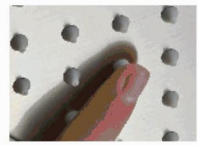
floor



6.Function Description



Rainfall Showerhead



Simply wipe the rubber nozzle to prevent clogging



Multi-function Handheld Shower Head

Temperature Display Display can be powered by hydro when there is water running or be powered by 2 AA batteries.



0 to 32 Degree Celsius Display shows Blue color.



32 to 40 Degree Celsius Display shows Red/orange color.



Above 40 Degree Celsius Display shows Red/orange color with flashes.

On/Off button for display (only when battery si used)



Function Diverter



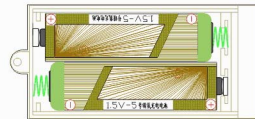
On/Off Switch



Screw



Thermostatic Temperature Controller



Battery slot is located underneath the shower panel and it can be accessed from the outside without un mounting the shower panel. Two AA batteries is needed for the battery slot.

3 Functions Nozzle



Tub Spout



Massage Function

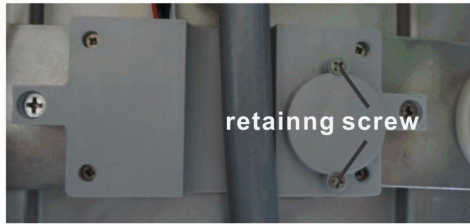


Mist Function



Mist&Massage Function

7.

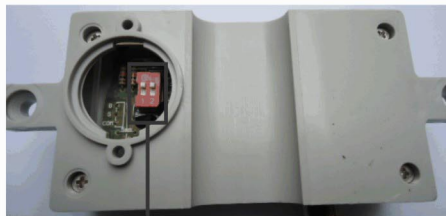


Take out this two screws behind the indicator(as above)

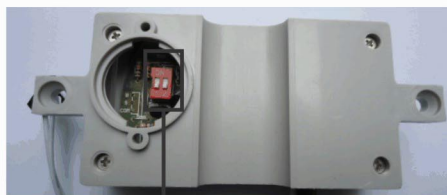
Take off the cover(as above)



*Battery will need to be removed when switching the button
**When screwing the cover back on to the display ,please makesure not to over tight the screw ,or it might break the cover



Switch 2 to ON for Fahrenheit
(Button 1 is for languang)



Turn off this two switches to "1"&"2"
indicator shows_°C