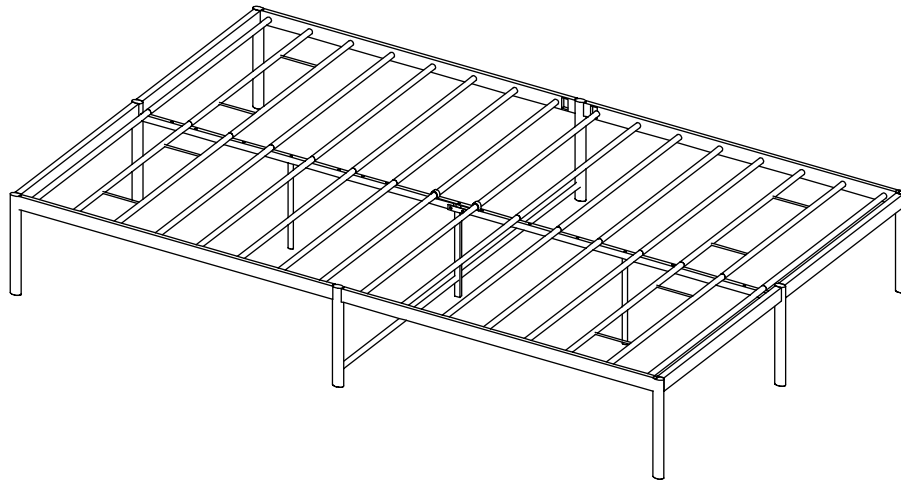
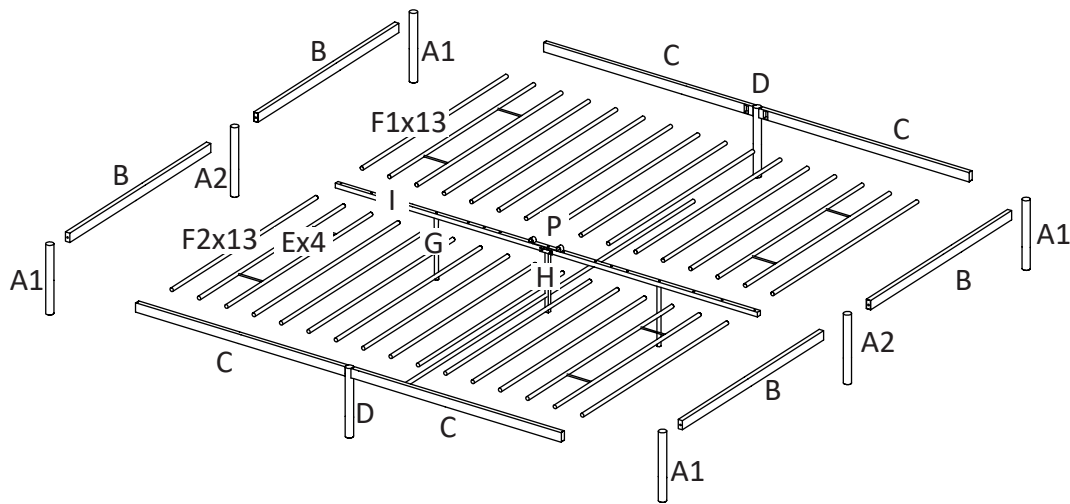
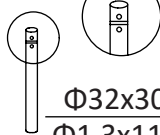
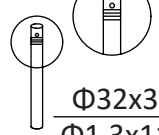

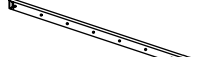

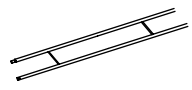




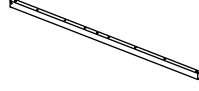
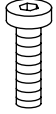
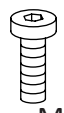
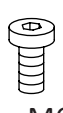


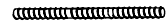
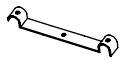
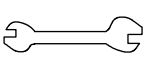







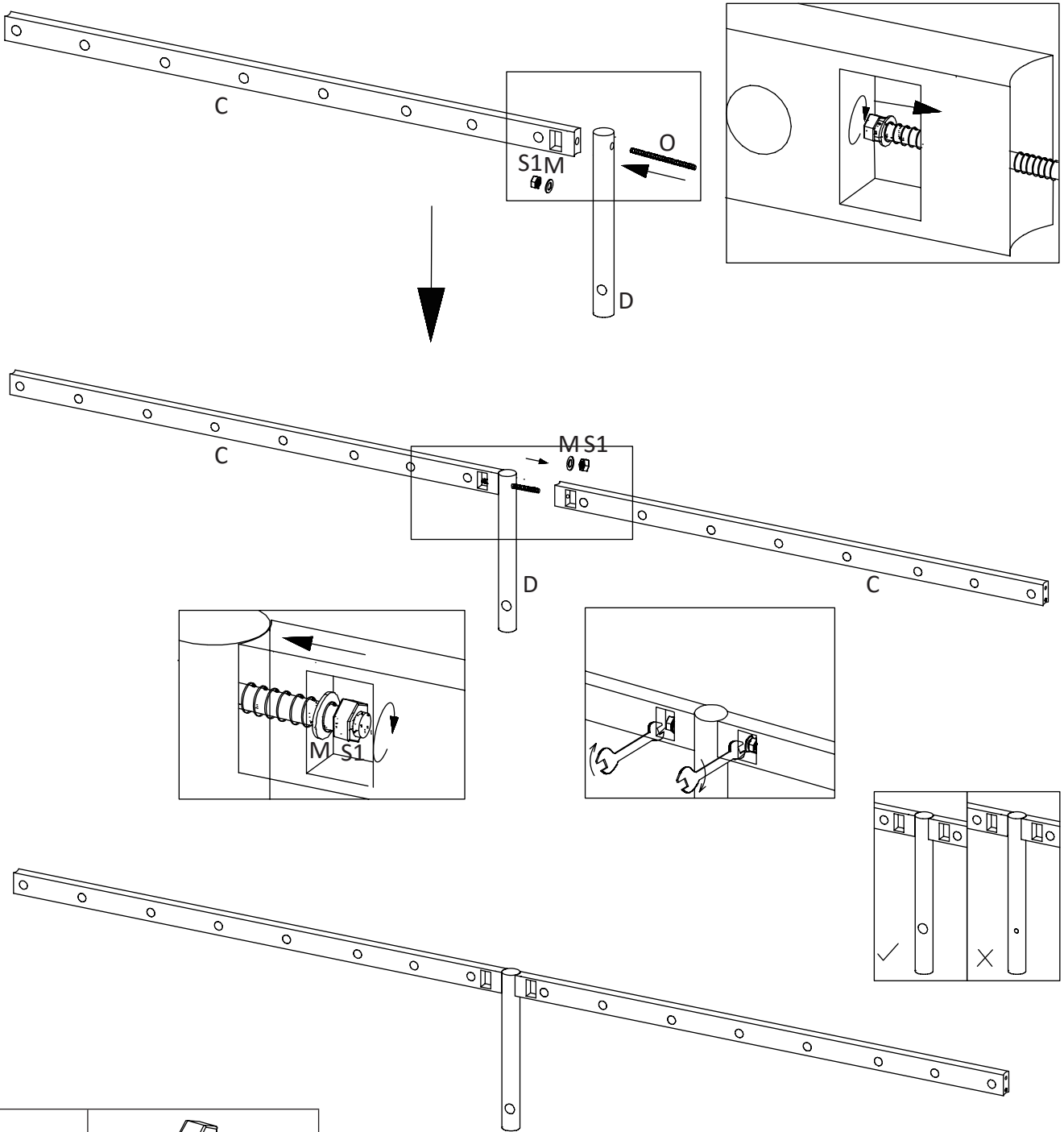
Installation & Assembly






1900x1200x300
74.8x47.2x 11.8

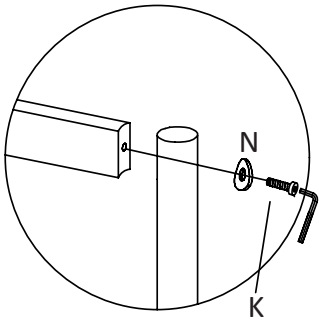
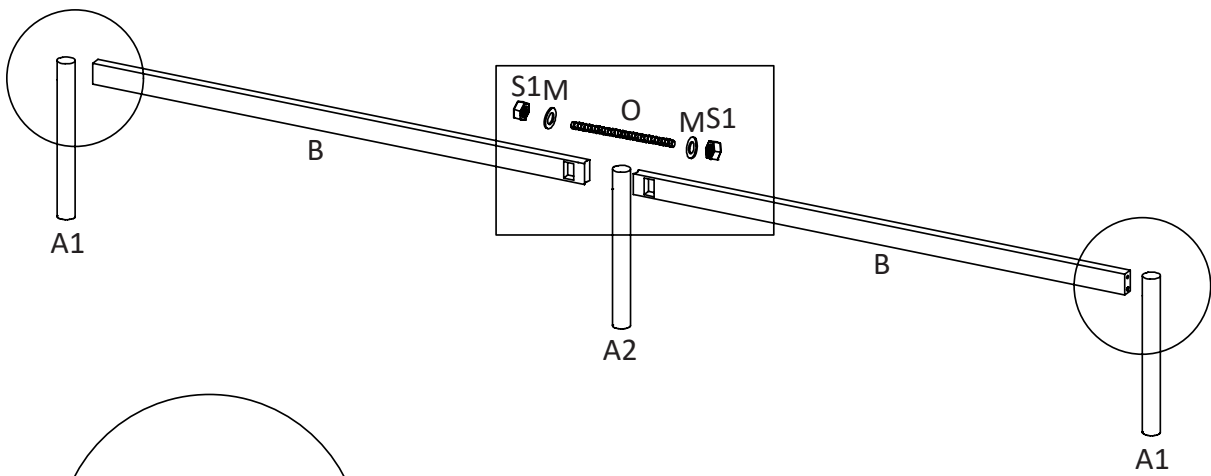
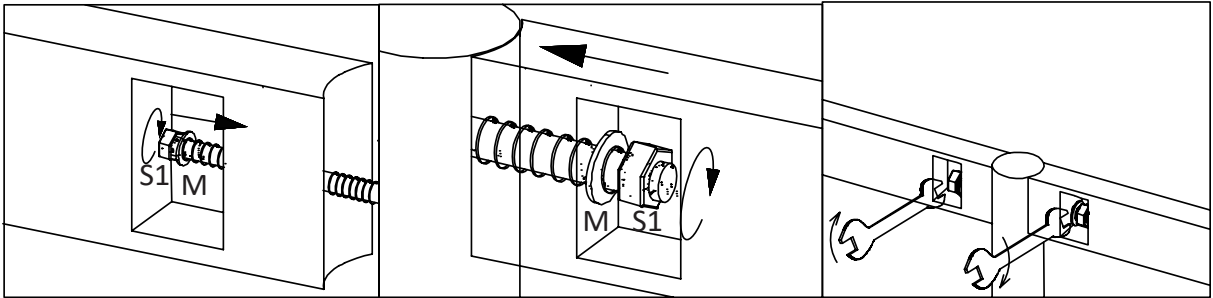
<p>A1x4</p>  <p>$\Phi 32 \times 300$ $\Phi 1.3 \times 11.8$</p>	<p>A2x2</p>  <p>$\Phi 32 \times 300$ $\Phi 1.3 \times 11.8$</p>	<p>Bx4</p>  <p>$40 \times 20 \times 578$ $1.6 \times 0.8 \times 22.8$</p>	<p>Cx4</p>  <p>$40 \times 20 \times 928$ $1.6 \times 0.8 \times 36.5$</p>	<p>Dx2</p>  <p>$\Phi 32 \times 300$ $\Phi 1.3 \times 11.8$</p>	<p>Ex4</p>  <p>$\Phi 16 \times 636$ $\Phi 0.6 \times 25.0$</p>
<p>F1x13</p>  <p>$\Phi 16 \times 636$ $\Phi 0.6 \times 25.0$</p>	<p>F2x13</p>  <p>$\Phi 16 \times 636$ $\Phi 0.6 \times 25.0$</p>	<p>Gx2</p>  <p>$\Phi 16 \times 275$ $\Phi 0.6 \times 10.8$</p>	<p>Hx1</p> 	<p>Ix2</p>  <p>$40 \times 20 \times 939$ $1.6 \times 0.8 \times 37.0$</p>	<p>Jx17</p>  <p>M6x $\frac{68}{2.7}$</p>
<p>Kx21</p>  <p>M6x $\frac{48}{1.9}$</p>	<p>Lx32</p>  <p>M6x $\frac{17}{0.7}$</p>	<p>Mx12</p> 	<p>Nx18</p> 	<p>Ox4</p>  <p>M6</p>	<p>Px1</p> 
<p>Qx2</p> 	<p>Rx1</p>  <p>M6</p>	<p>S1x8</p> 	<p>S2x17</p> 	<p>Tx8</p> 	




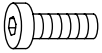

1 x2



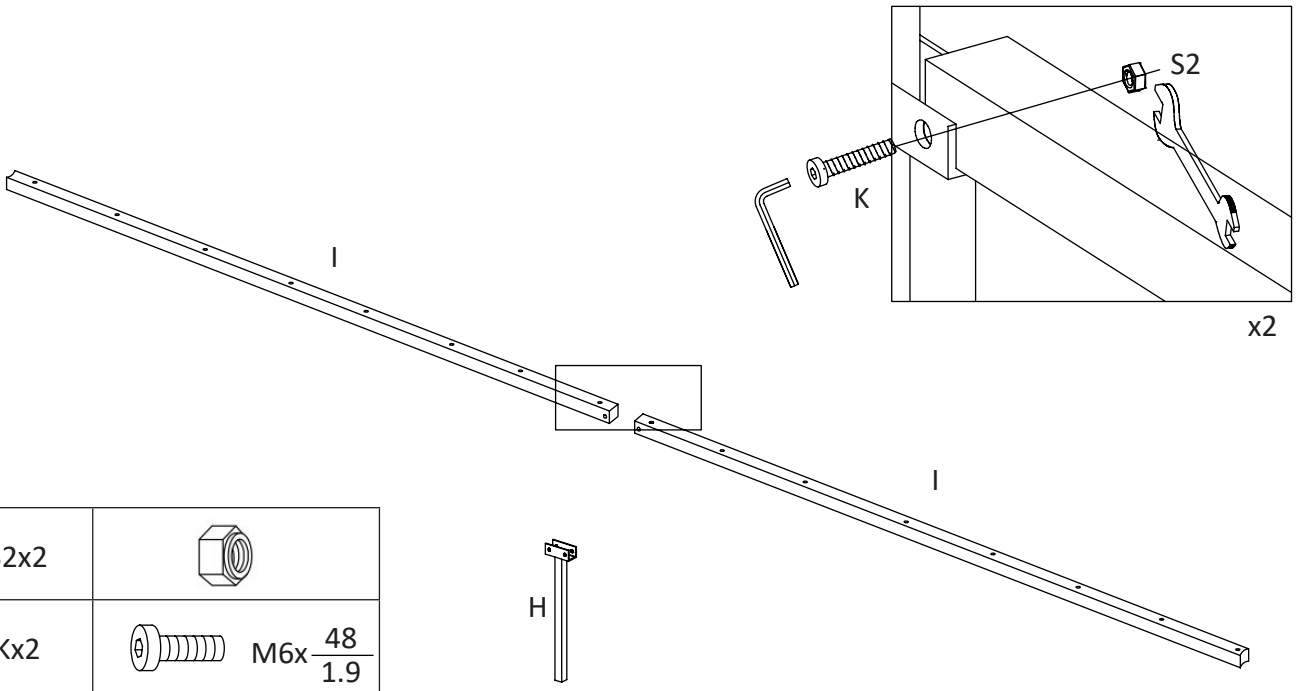
S1x4	
Ox2	 M6
Mx4	


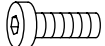
2 x2



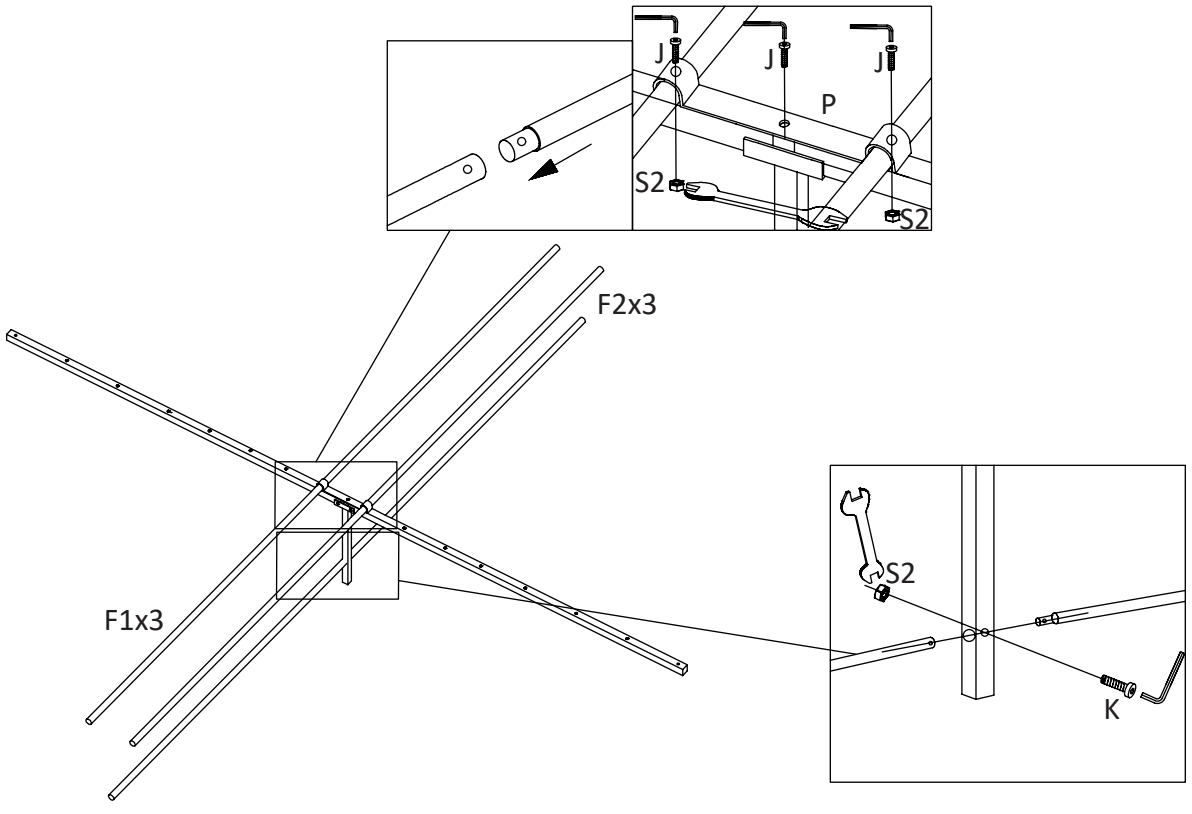
Nx4	
S1x4	
Mx4	
Kx4	 M6x $\frac{48}{1.9}$
Ox2	 M6

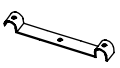
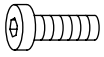

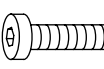
3



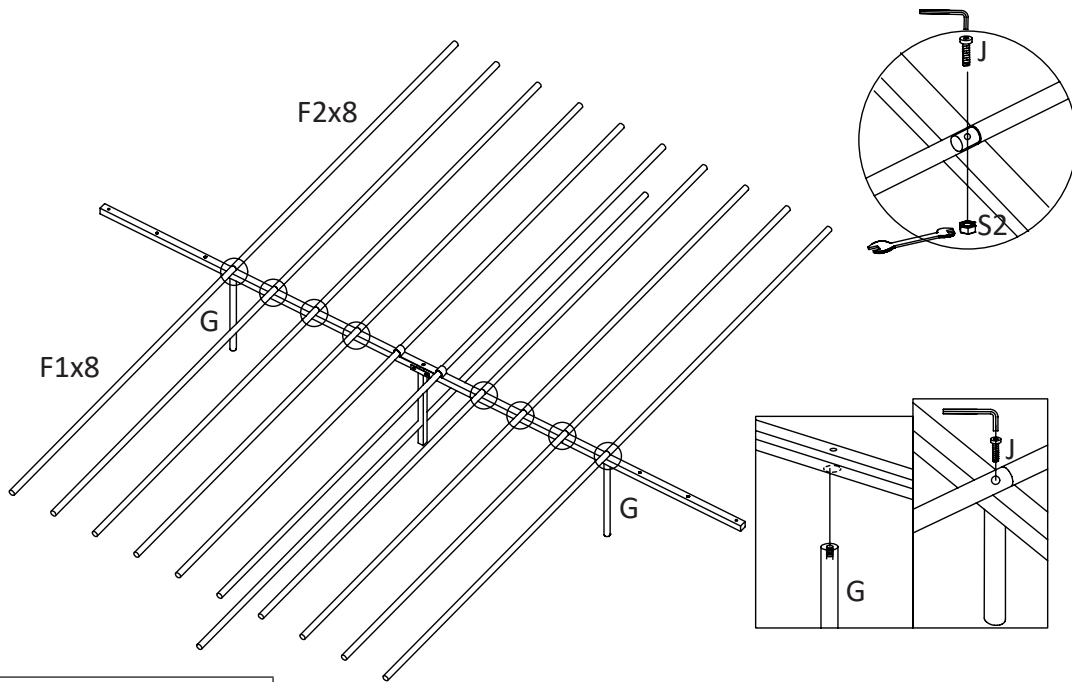
S2x2	
Kx2	 M6x $\frac{48}{1.9}$


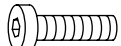
4



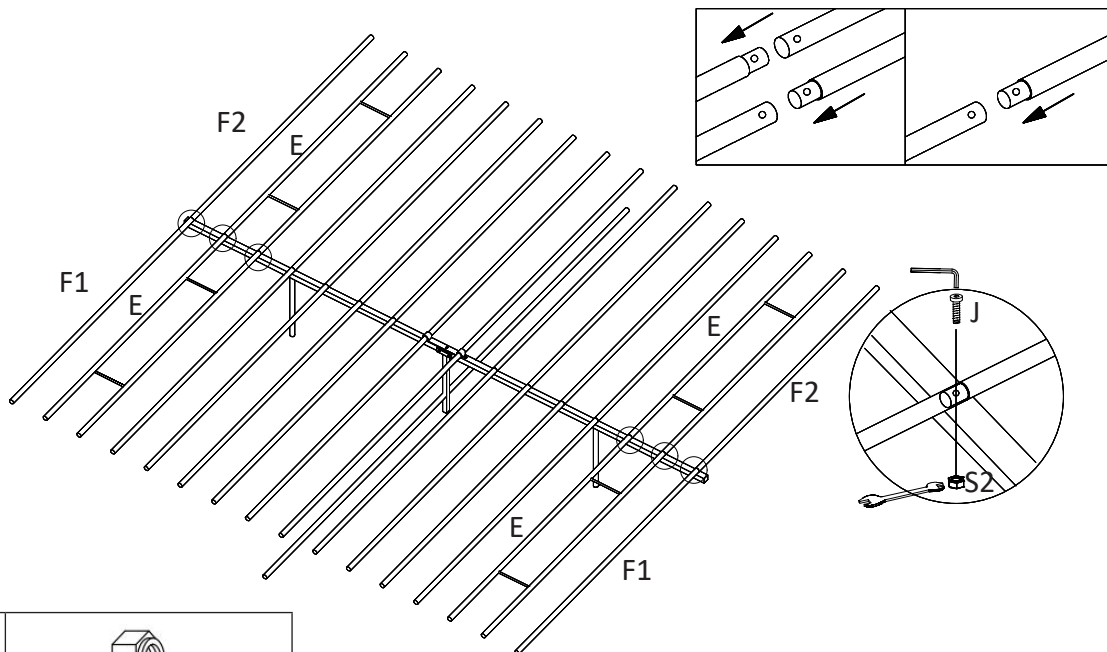
Px1		Kx1	 M6x $\frac{48}{1.9}$
S2x3		Jx3	 M6x $\frac{68}{2.7}$


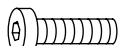
5

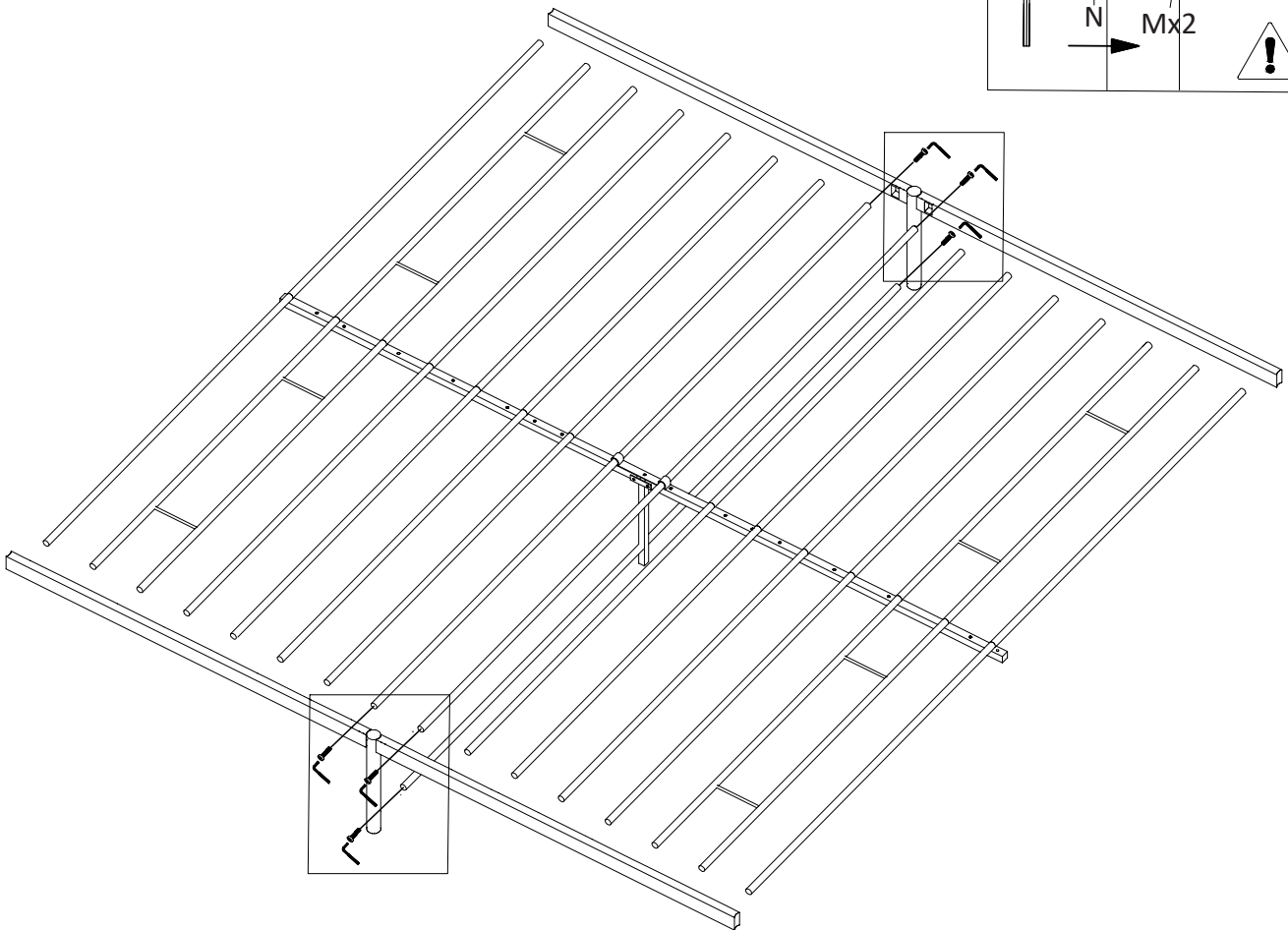
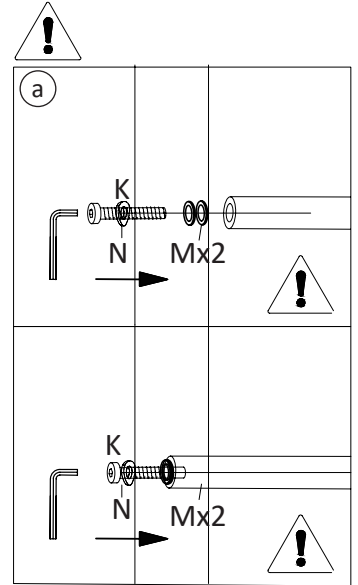
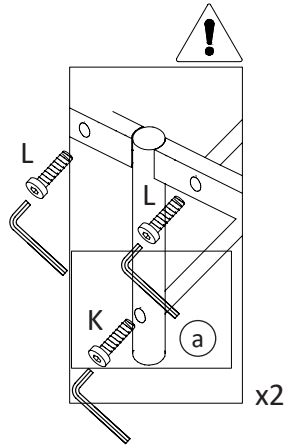
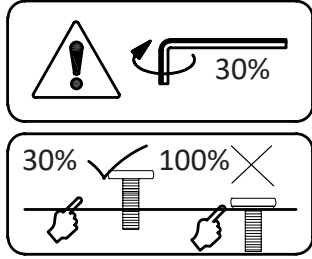




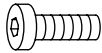
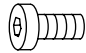
S2x6	
Jx8	 M6x $\frac{68}{2.7}$

6

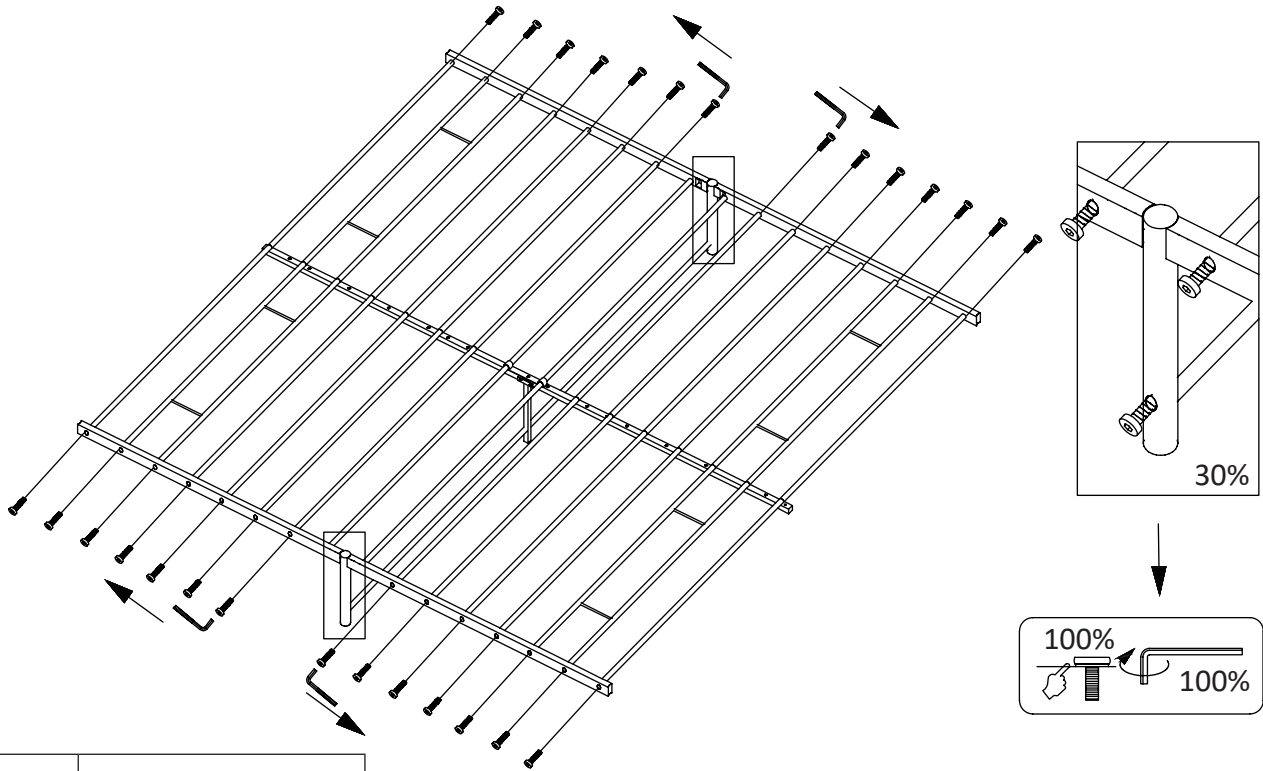


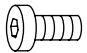
S2x6	
Jx6	 M6x $\frac{68}{2.7}$



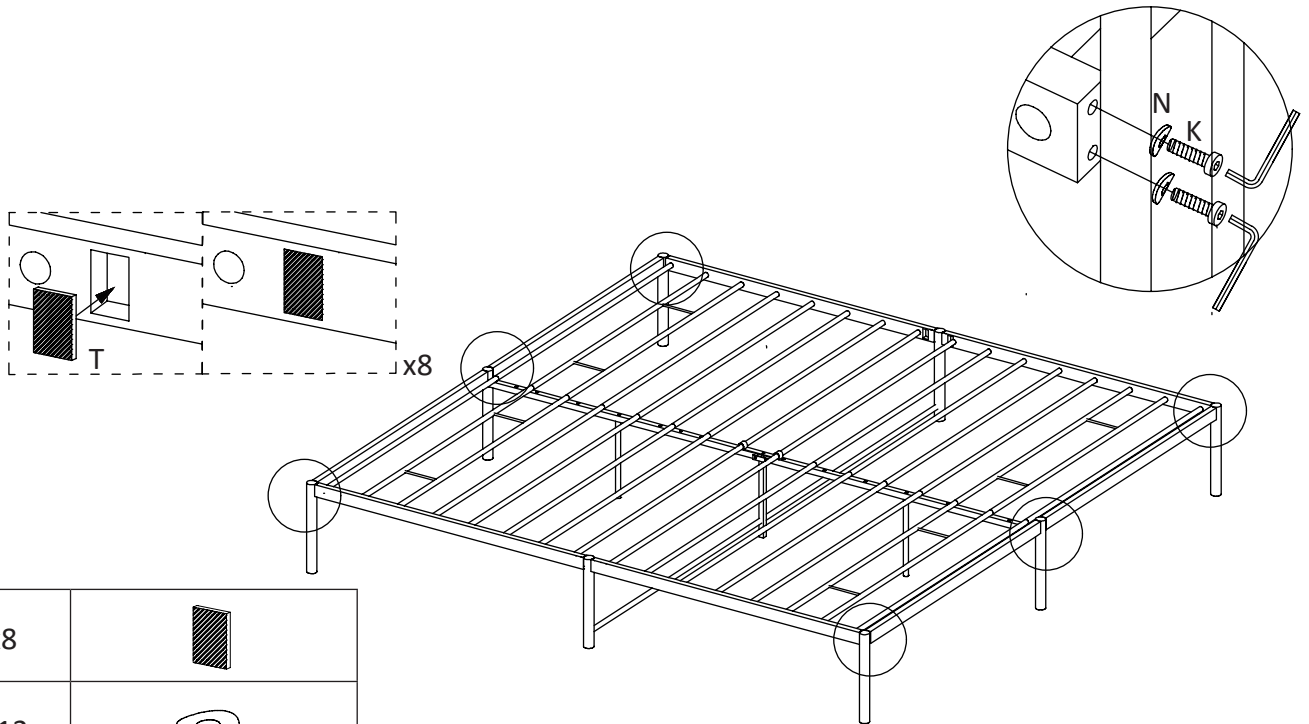
Nx2		Mx4	
Kx2	 M6x $\frac{48}{1.9}$	Lx4	 M6x $\frac{17}{0.7}$



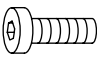
8



Lx28		M6x $\frac{17}{0.7}$
------	---	----------------------

9



Tx8		
Nx12		
Kx12		M6x $\frac{48}{1.9}$