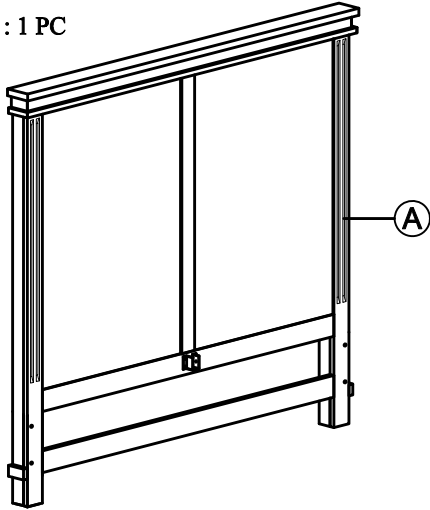


HAMPTON BAY FULL/QUEEN/KING BED ASSEMBLY INSTRUCTIONS



BOX #1

A. HEADBOARD : 1 PC

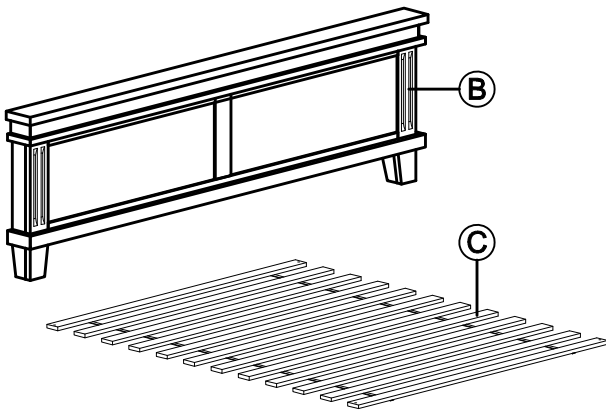


HARDWARE PACKED IN BOX #2

1	ALL-THREAD BOLT (M8x90)		8PCS
2	HALF MOON WASHER (M8)		8PCS
3	SPRING WASHER (M8)		8PCS
4	HEX NUT (M8)		8PCS
5	SPANNER		1PC
6	ALLEN KEY		1PC
7	WOOD SCREW (M4x25)		4PCS

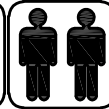
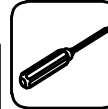
BOX #2

B. FOOTBOARD : 1 PC
C. SLAT ROLL : 1 SET
* BED HARDWARE BOX *

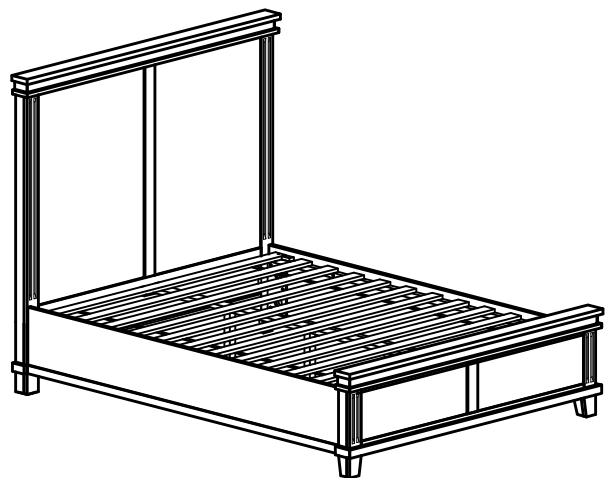


TOOL REQUIRED : PHILLIPS HEAD
SCREW DRIVER (NOT PROVIDED)

YOUR BOX
MAY CONTAIN
EXTRA HARDWARE

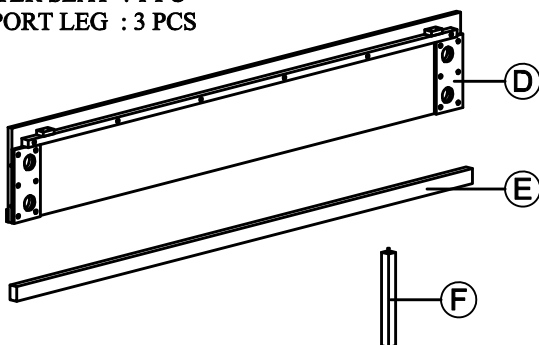


ASSEMBLY COMPLETE



BOX #3

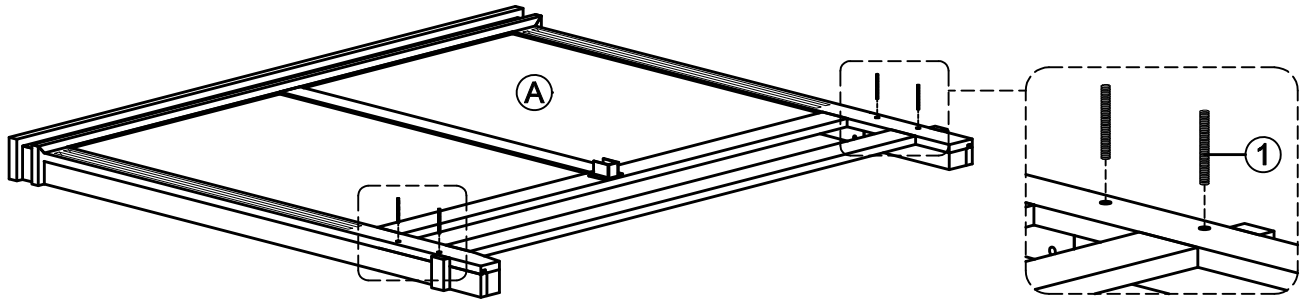
D. SIDERAIL : 2 PCS
E. CENTER SLAT : 1 PC
F. SUPPORT LEG : 3 PCS



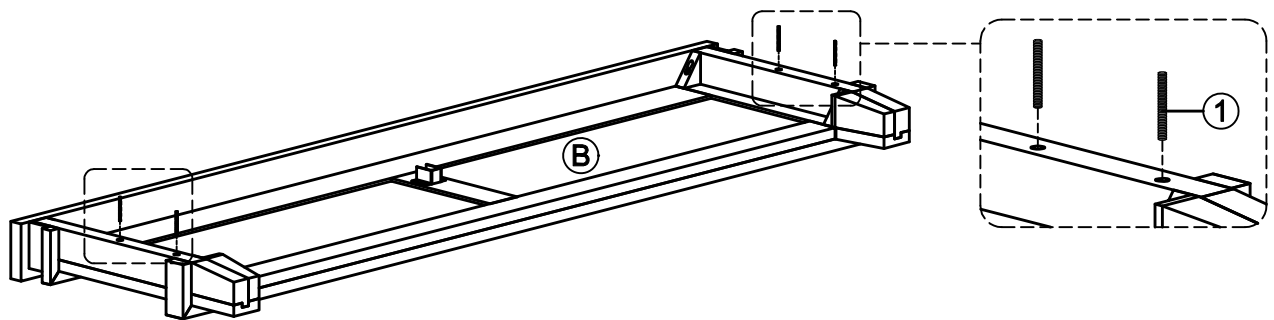
HAMPTON BAY FULL/QUEEN/KING BED ASSEMBLY INSTRUCTIONS



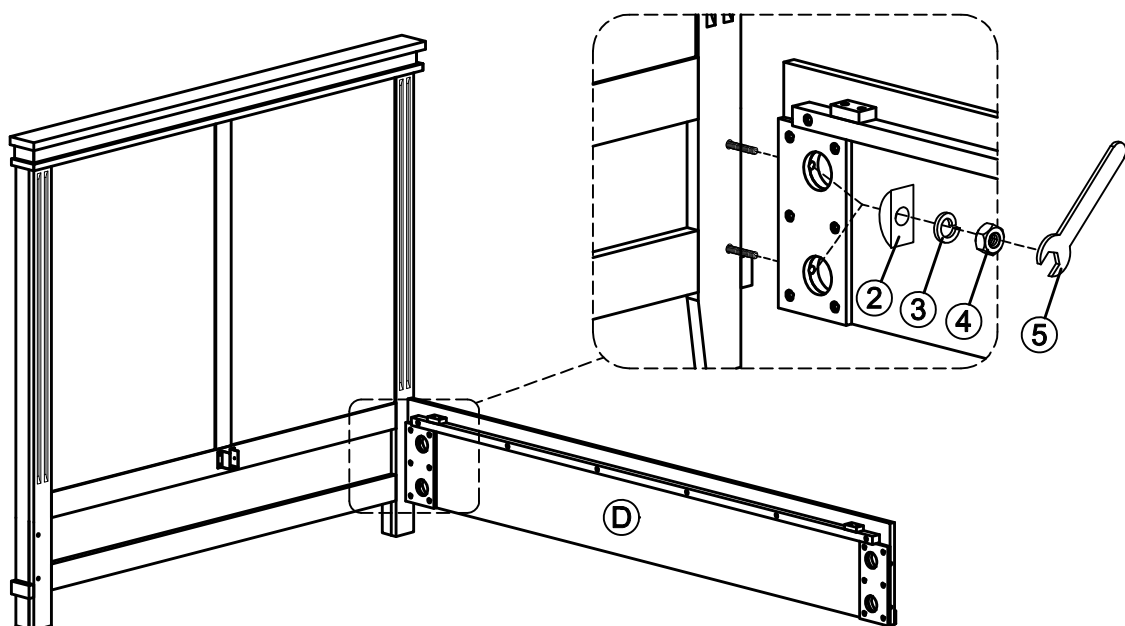
STEP #1:



STEP #2:



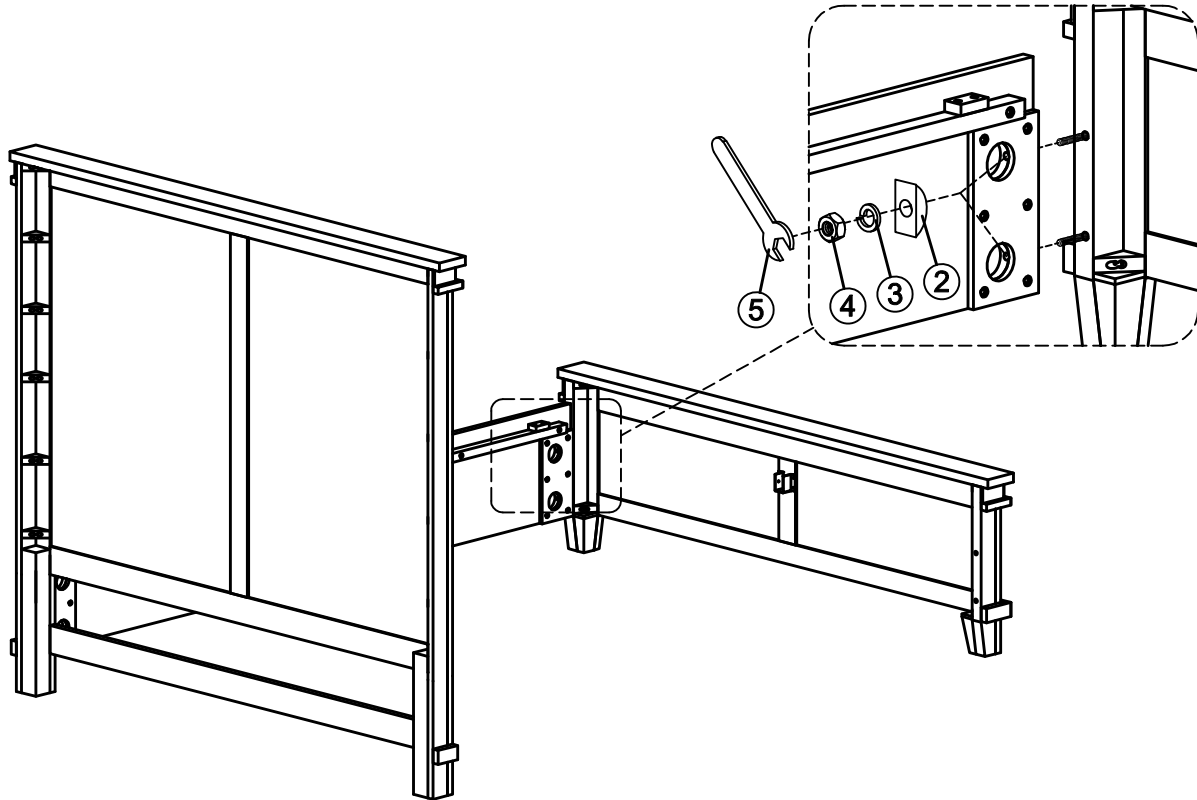
STEP #3:



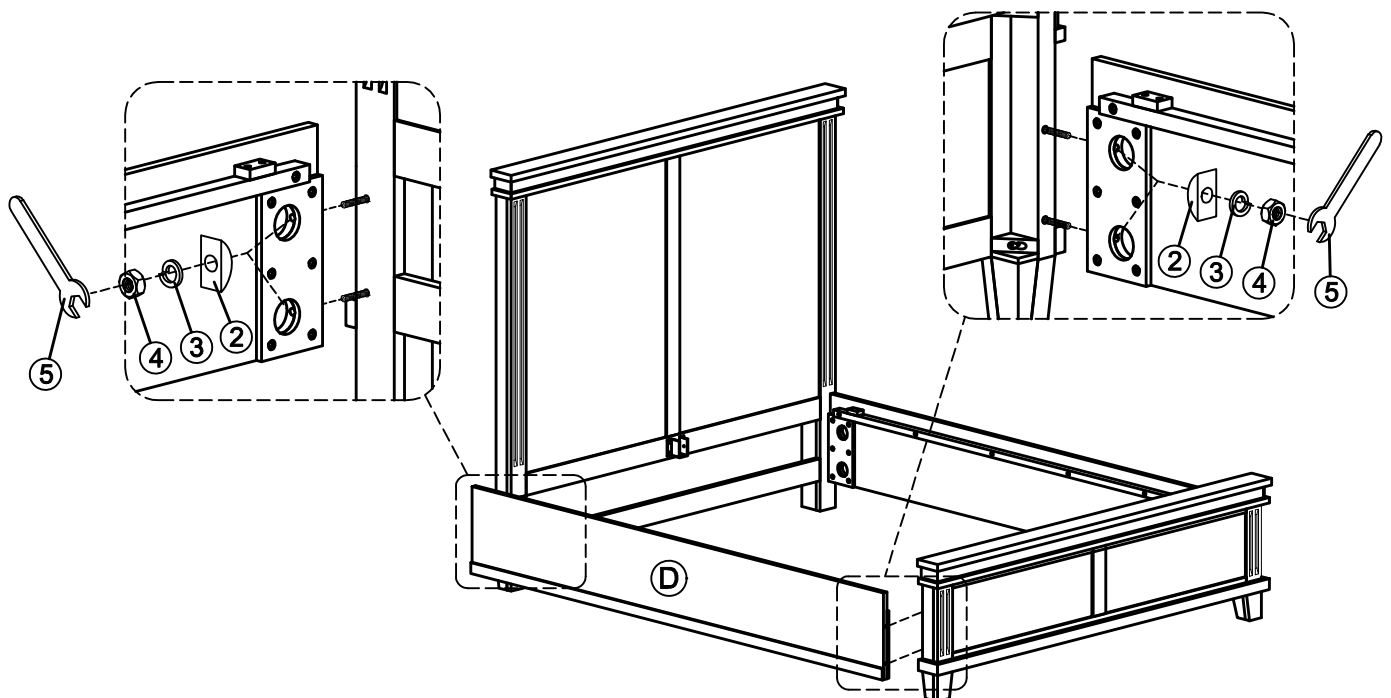
HAMPTON BAY FULL/QUEEN/KING BED ASSEMBLY INSTRUCTIONS



STEP #4:



STEP #5:



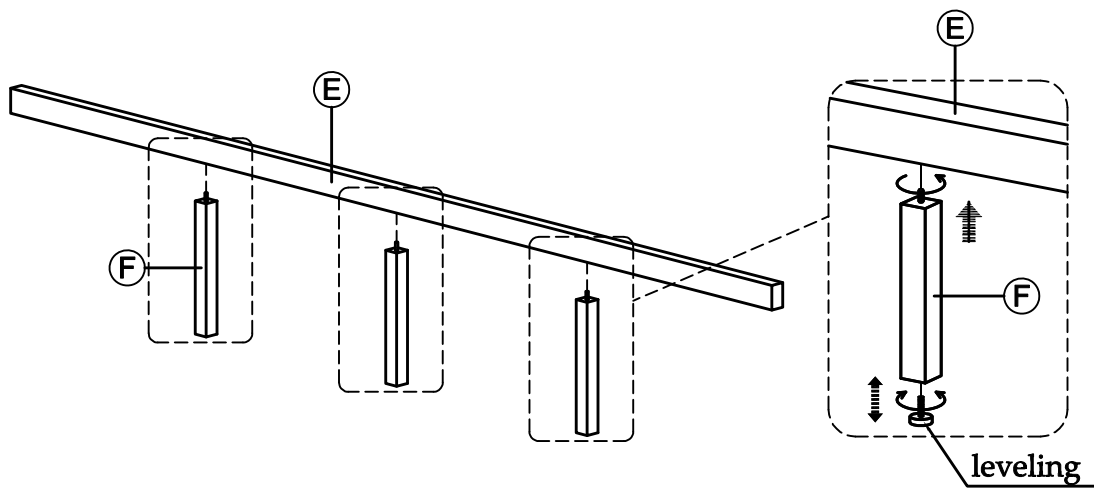
HAMPTON BAY FULL/QUEEN/KING BED ASSEMBLY INSTRUCTIONS



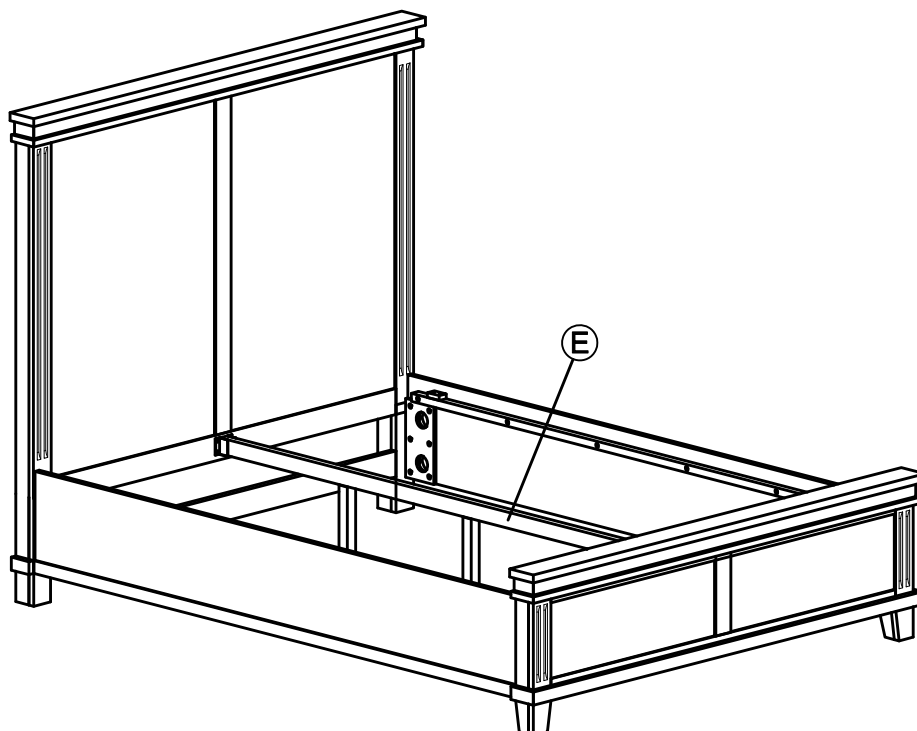
STOP

- * IF USING BED FRAME WITH ADJUSTABLE MATTRESS BASE, SKIP TO APPENDIX A: ADJUSTABLE MATTRESS BASE ASSEMBLY SUPPLEMENT.
- * IF USING BED FRAME WITH STANDARD BOX SPRING OR FOUNDATION CONTINUE TO STEP 6.

STEP #6:



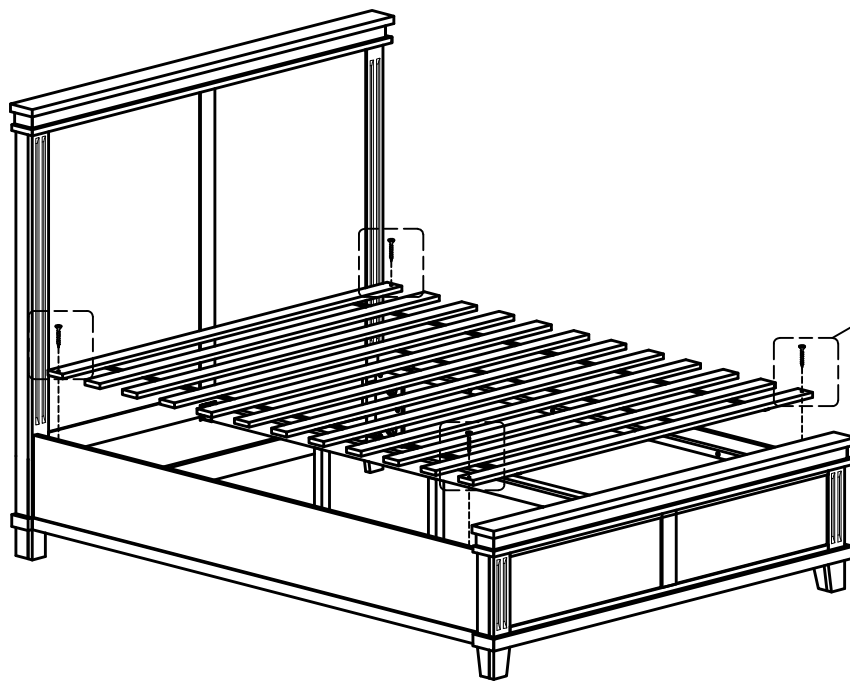
STEP #7:



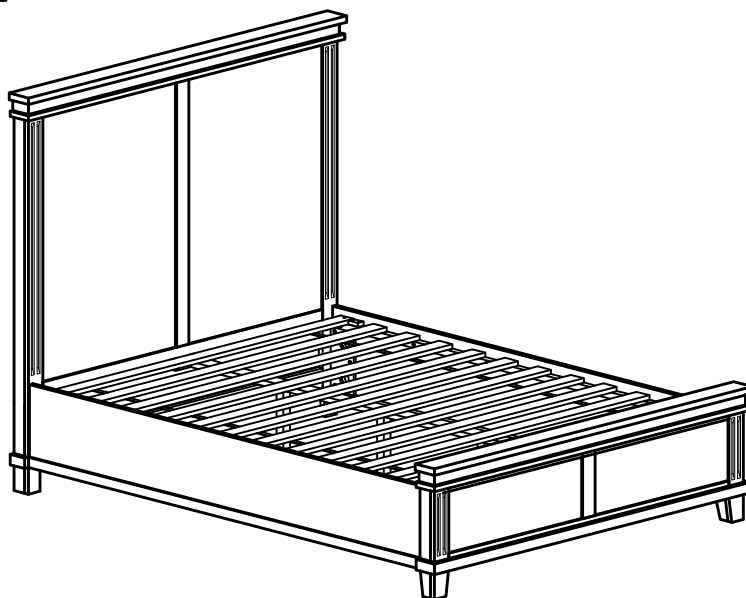
HAMPTON BAY FULL/QUEEN/KING BED ASSEMBLY INSTRUCTIONS



STEP #8:

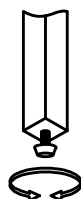


ASSEMBLY COMPLETE.



INSTRUCTIONS FOR ADJUSTING LEVELER:

- Position the bed in your space and locate the leveler under each support leg.
- Turn the leveler counter-clockwise to extend the leveler and clockwise to retract it.
- Adjust each leveler until each support leg is applying equal, upward pressure on the bed support slat.



MAINTENANCE INSTRUCTION:

- Remove box spring and mattress before moving your bed.
- Lift your bed when moving it. Dragging can damage the leg support.
- Readjust levelers after moving your bed.

HAMPTON BAY FULL/QUEEN/KING BED ASSEMBLY INSTRUCTIONS

APPENDIX A: ADJUSTABLE MATTRESS BASE ASSEMBLY SUPPLEMENT



AN ADJUSTABLE MATTRESS BASE IS A FREESTANDING MATTRESS SUPPORT THAT SITS WITHIN THE PERIMETER OF THE BED FRAME.
IF USING THIS BED FRAME WITH A STANDARD BOX SPRING OR FOUNDATION THESE INSTRUCTIONS DO NOT APPLY.

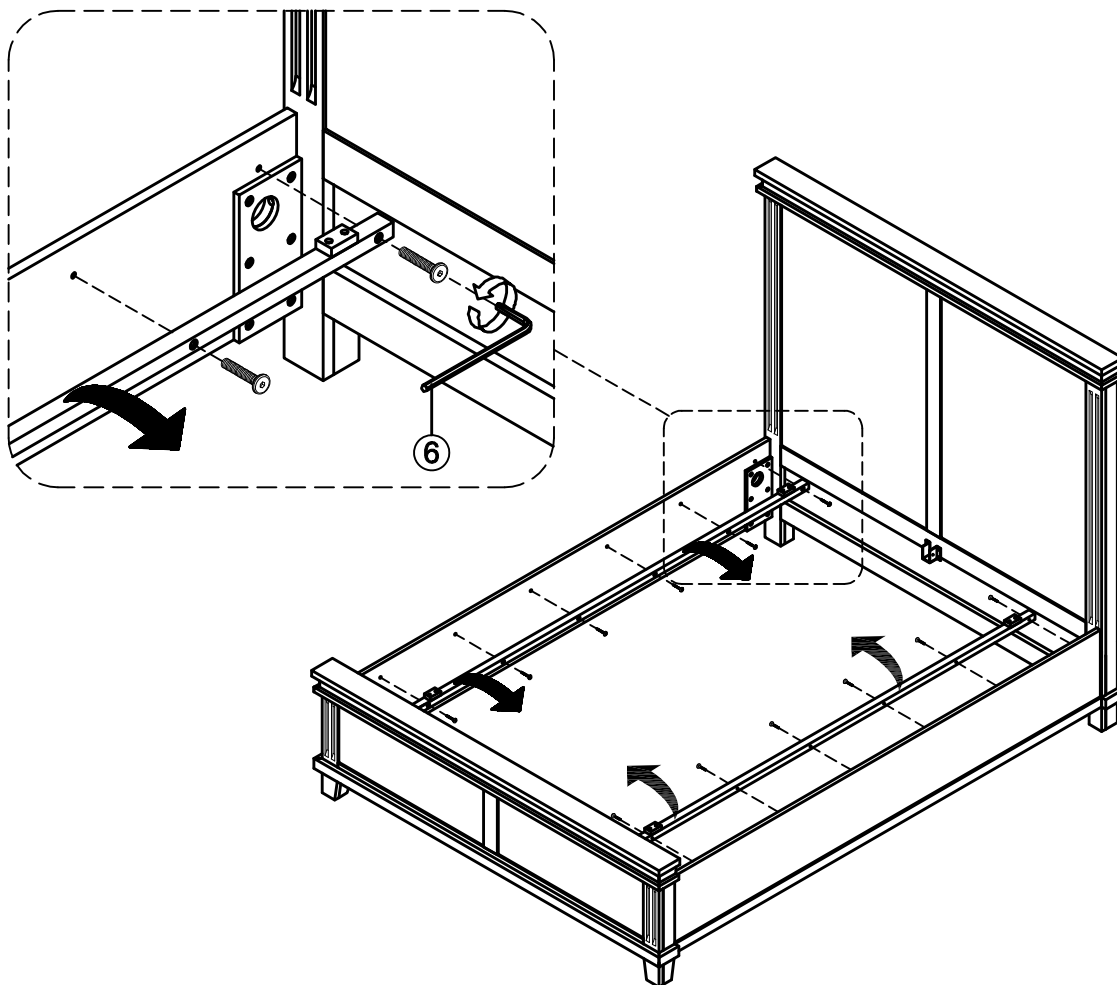
PRE-ASSEMBLED SIDE RAIL CLEATS OBSTRUCT ADJUSTABLE BASE INSTALLATION AND OPERATION. FOLLOW THESE INSTRUCTIONS TO REMOVE THEM.

THE FOLLOWING PARTS ARE NOT REQUIRED FOR ADJUSTABLE MATTRESS BASE INSTALLATION:

E. CENTER SLAT	1 PC	7. WOOD SCREW (M4x25mm)	4 PCS
F. SUPPORT LEG	3 PCS	* ALLEN BOLT (M6X40mm)	
C. SLAT ROLL	1 SET	- FULL	12PCS
		- QUEEN	12PCS
		- KING	12PCS

STEP #1:

USE ALLEN KEY (6) TO UNSCREW ALLEN BOLTS AND REMOVE PRE-ASSEMBLED SIDE RAIL CLEATS.



NOTE: YOU MAY WISH TO RETAIN UNUSED PARTS IF IN THE FUTURE YOU INTEND TO USE THE BED FRAME WITH A STANDARD BOX SPRING OR FOUNDATION.