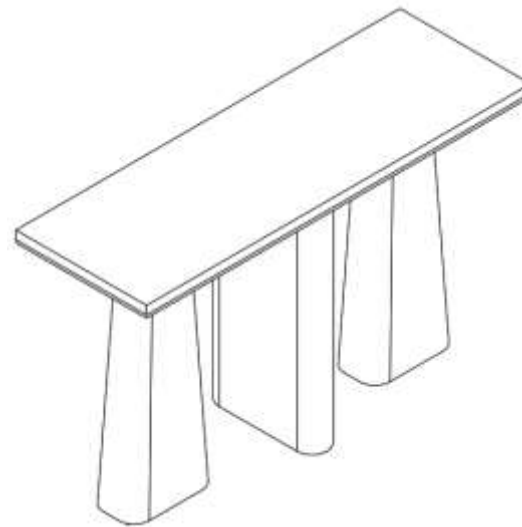


RYLLAE WOOD CONSOLE TABLE

DESIGN # SFV2303

Assembly Instructions



Need help?

Feel free to contact us via email or call
If you have any specific questions!

Contact us:

cs@safavieh.com

866-422-9070

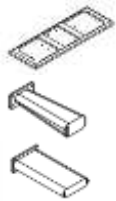
SAFAVIEH
C O U T U R E

**Thanks for bringing
Safavieh Couture into
Your home**

Every thing we make is incredibly simple to set up, including your new table. You won't need any additional tools.

Parts List

- A x 1
TOP
- B x 2
RIGHT/LEFT LEGS
- C x 1
MIDDLE LEGS



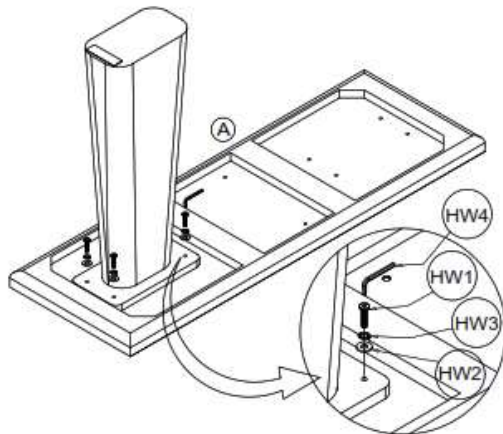
Hardware List

- HW1 x 12
Small cross Bolts 6x0.5x35mm
- HW2 x 12
Flat washer 8mm
- HW3 x 12
Spring washer 8mm
- HW4 x 1
Allen Key



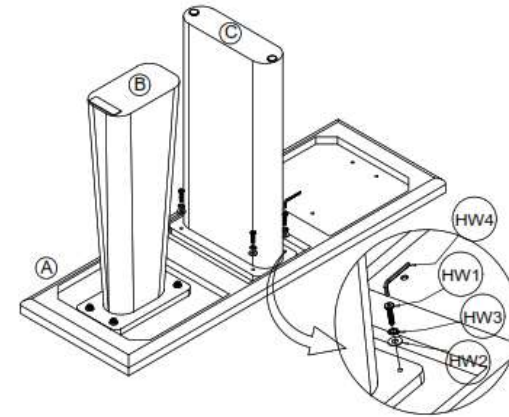
1

Place the Top (A) upside down on a soft surface. Align the Bolt holes underneath the Table Top (A) to the bolt holes on the Right Leg (B). Place the Flat Washer (HW2) and Spring washer (HW3) on the Bolts (HW1) in the order shown below. Use the Allen Key (HW4) to screw in the Bolts.



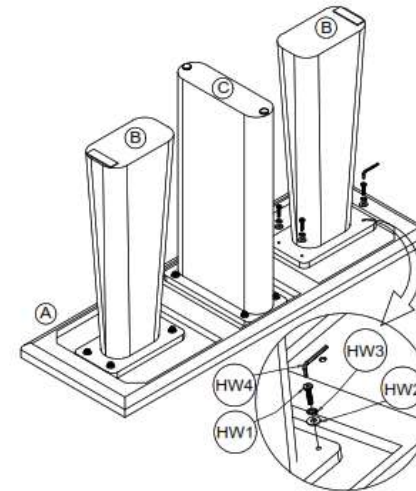
2

Align the Bolt holes underneath the Table Top (A) to the bolt holes on the Middle Leg (C). Place the Flat Washer (HW2) and Spring washer (HW3) on the Bolts (HW1) in the order shown below. Use the Allen Key (HW4) to screw in the Bolts.



3

Align the Bolt holes underneath the Table Top (A) to the bolt holes on the Left Leg (B). Place the Flat Washer (HW2) and Spring washer (HW3) on the Bolts (HW1) in the order shown below. Use the Allen Key (HW4) to screw in the Bolts.



Place the console table in the place where you will use it. We'd love to see it – just tag us (we're @safavieh) and use the hashtag #safavieh on Instagram!

