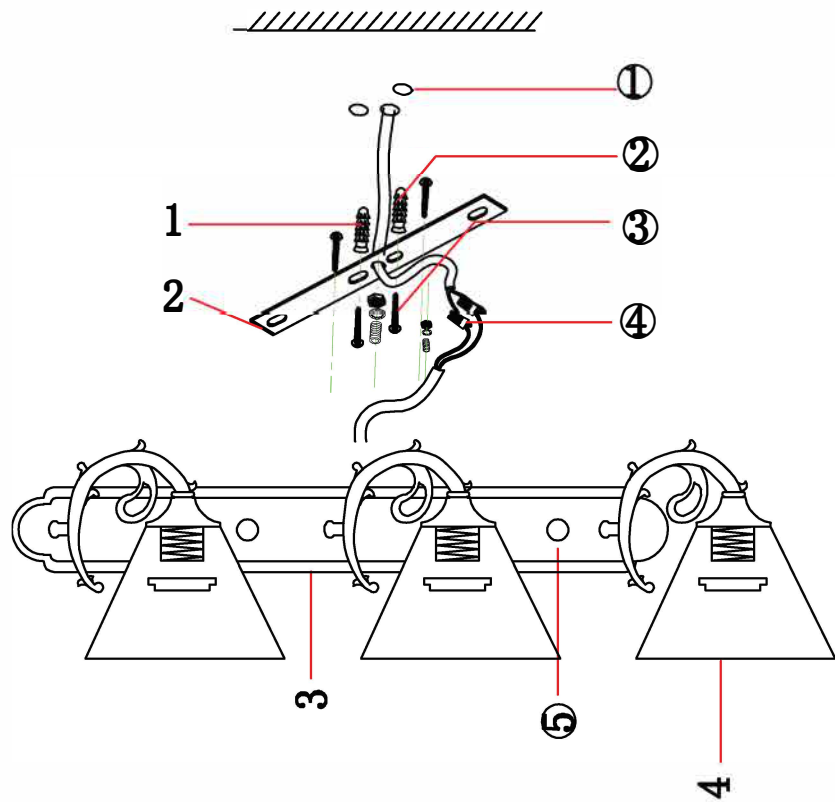
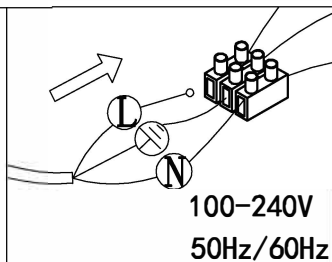


INSTALLATION



Ceiling Lamp

100-240V
50Hz/60Hz
MAX: 60W



Installation:

- ① Drill a hole in the ceiling.
- 2 Insert the expansion bolt in the ceiling.
- 3 Mount the crissbar by screws.
- 4 Connect the cable.
- 5 Mount the bracket.
- 6 Put the lamp shade and light source.

Cautions:

- ⚠ Should be installed by professional the cleaning and installation remember to cut the power off
- ⚠ Keep the lamps away from corrosive chemical and air such as acid and alkali. Do not wash it with water, but wipe it clean with a soft cloth.

Accessory List

No	Part Name	Photo	QTY
1	Screw		1
2	hanging board		1
3	Light Source		3
4	The lampshade		3